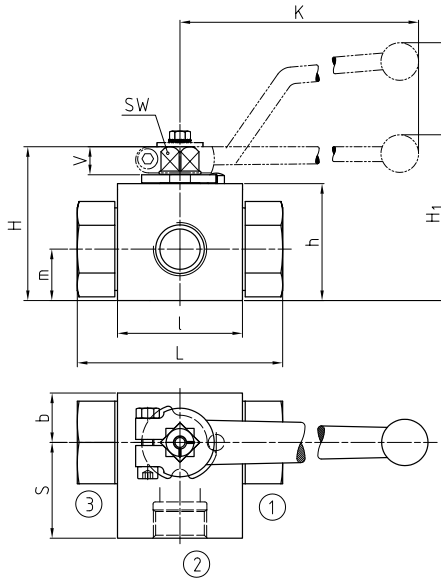
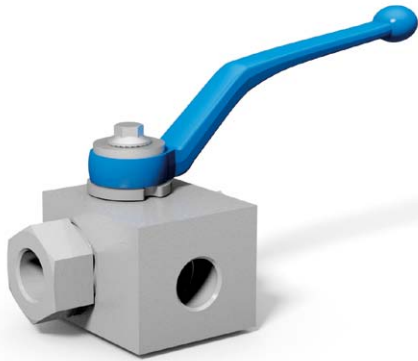


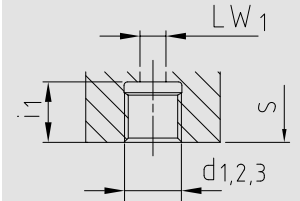
Selector ball valve Stainless Steel

BK3



CONNECTION TYPE (CONNECTION 2)

d₁ DIN ISO 228
d₂ ANSI B1.20.1
d₃ SAE J 514/ISO/DIS11926-1



! Pressure inlet only from center port (port 2)!

AVAILABLE SIZES

DN4 - DN50 (1/8" to 2")

CONNECTIONS

DIN ISO 228 Female thread, ANSI B1.20.1 NPT Female thread, DIN 2353/ISO 8434-1 Light / Heavy series, SAE J 514/ISO/DIS11926-1 Female thread, others on request

ACCESSORIES ON REQUEST

- Locking devices page 222 - 225
- Actuators 220 - 221
- Mounting holes on request
- Position switches 228 - 229
- Combinations on request
- Detent on request

MATERIAL CODE DESCRIPTION

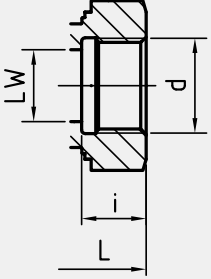
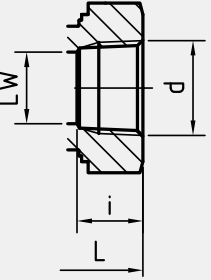
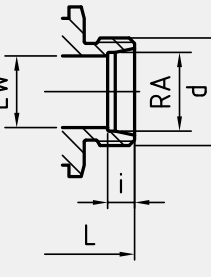
Materials	442A	442A	4428	4428
Body	Stainless Steel	Stainless Steel	Stainless Steel	Stainless Steel
Ball	Stainless Steel	Stainless Steel	Stainless Steel	Stainless Steel
Stem	Stainless Steel	Stainless Steel	Stainless Steel	Stainless Steel
Ball seats	POM	POM	POM	POM
O-rings	NBR	NBR	FPM	FPM
Tmin /Tmax	-30°C / 100°C	-30°C / 100°C	-20°C / 100°C	-20°C / 100°C
Porting pattern	L=SB50	T=SB51	L=SB50	T =SB51

GENERAL DIMENSIONS

Type	l	H	h	m	V	SW	K	H ₁	H ₂	Lever
BK3-DN4	40	47	33	13,5	11	9	115	-	82	Zn
BK3-DN6	40	47	33	13,5	11	9	115	-	82	Zn
BK3-DN8	40	47	33	13,5	11	9	115	-	82	Zn
BK3-DN10	43	52	38	17,5	11	9	115	-	86	Zn
BK3-DN13	48	54	40	19	11	9	115	-	89	Zn
BK3-DN20	62	75	57	24,5	14	14	200	79	-	Zn
BK3-DN25	66	83	65	29,5	14	14	200	87	-	Zn
BK3-DN25/32	66	83	65	29,5	14	14	200	87	-	Zn
BK3-DN32	81	106	84,5	39	16,5	17	320	115	-	Al
BK3-DN40	104	127	106	53	16,5	17	320	136	-	Al
BK3-DN50	118	137	116	58	16,5	17	320	146	-	Al

Selector ball valve Stainless Steel

BK3

CONNECTION TYPE (CONNECTIONS 1 AND 3)	DIMENSIONS											ORDER CODE PER MATERIAL COMBINATION					
	Type	LW	L	b	S	i	d	i ₁	d ₁	LW ₁	Weight [Kg]	PN [bar]	442A L=SB50	442A T=SB51	4428 L=SB50	4428 T=SB51	
DIN ISO 228 FEMALE THREAD 	BK3-DN4-G1/8	5	69	13	34,5	10	G1/8	10	G1/8	4	0,55	500	40910*	41806*	41812*	41817*	
	BK3-DN6-G1/4	6	69	13	34,5	14	G1/4	14	G1/4	6	0,55	500	40911*	41807*	41813*	41818*	
	BK3-DN10-G3/8	10	72	16	36	14	G3/8	14	G3/8	10	0,77	500	40868*	41808*	41814*	41819*	
	BK3-DN13-G1/2	13	83	17,5	39,5	16,3	G1/2	16,3	G1/2	13	0,90	500	40912*	41809*	40949*	41820*	
	BK3-DN13-G5/8	13	83	17,5	39,5	16	G5/8	16	G5/8	13	0,90	500	40913*	41810*	41815*	41821*	
	BK3-DN20-G3/4	20	95	24,5	47,5	18	G3/4	18	G3/4	20	1,95	315	40914*	41811*	41816*	41822*	
	BK3-DN25-G1	25	113	29	56,5	20	G1	20	G1	25	2,40	315	42177*	38282*	42180*	38283*	
	BK3-DN25/32-G1 1/4	25	120	29	57	22	G1 1/4	22	G1 1/4	25	2,64	315	42179*	38284*	38275*	38285*	
	BK3-DN32-G1 1/4	30	111	39	55	22	G1 1/4	22	G1 1/4	30	5,40	350	38286*	38288*	38287*	38289*	
	BK3-DN40-G1 1/2	38	130	53	65	24	G1 1/2	24	G1 1/2	38	9,40	350	38290*	38292*	38291*	38293*	
	BK3-DN50-G2	48	150	58	75	26	G2	26	G2	48	13,00	350	20433*	38295*	38294*	38296*	
ANSI B1.20.1 NPT FEMALE THREAD 	BK3-DN4-1/8"NPT	5	69	13	34,5	10,5	1/8"NPT	10,5	1/8"NPT	4	0,55	500	41080*	41823*	41828*	41833*	
	BK3-DN6-1/4"NPT	6	69	13	34,5	13,7	1/4"NPT	13,7	1/4"NPT	6	0,55	500	41081*	41824*	41829*	41834*	
	BK3-DN10-3/8"NPT	10	72	16	36	13,5	3/8"NPT	13,5	3/8"NPT	10	0,77	500	41082*	41825*	41830*	41835*	
	BK3-DN13-1/2"NPT	13	83	17,5	39,5	17	1/2"NPT	17	1/2"NPT	13	0,90	500	41083*	41826*	41831*	41836*	
	BK3-DN20-3/4"NPT	20	95	24,5	47,5	18,3	3/4"NPT	18,3	3/4"NPT	20	1,95	315	41084*	41827*	41832*	41837*	
	BK3-DN25-1"NPT	25	113	29	56,5	21,6	1"NPT	21,6	1"NPT	25	2,40	315	38347	38349	38348	38350	
	BK3-DN25/32-1 1/4"NPT	25	120	29	57,5	22,1	1 1/4"NPT	22,1	1 1/4"NPT	25	2,65	315	38351	38353	38352	38354	
	BK3-DN32-1 1/4"NPT	30	120	39	60	22,1	1 1/4"NPT	22,1	1 1/4"NPT	30	5,40	350	38355	38357	38356	38358	
	BK3-DN40-1 1/2"NPT	38	140	53	70	22,1	1 1/2"NPT	22,1	1 1/2"NPT	38	9,40	350	38359	38361	38360	38362	
	BK3-DN50-2"NPT	48	150	58	75	30,3	2"NPT	30,3	2"NPT	48	13,00	350	38363	40284	40285	40286	
	DIN 2353 / ISO 8434-1 LIGHT SERIES 	BK3-DN4-6L	5	6	67	13	34,5	7	M 12x1,5	10	G1/8	4	0,50	500	41838*	41845*	41852*
BK3-DN6-8L		6	8	67	13	34,5	7	M 14x1,5	14	G1/4	6	0,52	500	41839*	41846*	41853*	41860*
BK3-DN8-10L		8	10	74	13	34,5	7	M 16x1,5	14	G1/4	6	0,54	500	41840*	41847*	41854*	41861*
BK3-DN10-12L		10	12	74	16	36	7	M 18x1,5	14	G3/8	10	0,73	500	41841*	41848*	41855*	41862*
BK3-DN13-15L		13	15	82	17,5	39,5	7	M 22x1,5	16,3	G1/2	13	0,85	500	41842*	41849*	41856*	41863*
BK3-DN13-18L		13	18	82	17,5	39,5	7,5	M 26x1,5	16	G5/8	13	0,89	500	41843*	41850*	41857*	41864*
BK3-DN20-22L		20	22	101	24,5	47,5	7,5	M 30x2	18	G3/4	20	1,87	315	41844*	41851*	41858*	41865*
BK3-DN25-28L		25	28	108	29	56,5	7,5	M 36x2	20	G1	25	2,45	315	42181*	42182*	42185*	42186*
BK3-DN25/32-35L		25	35	112	29	57	10,5	M 45x2	22	G1 1/4	25	2,90	315	42183*	42184*	42187*	42188*

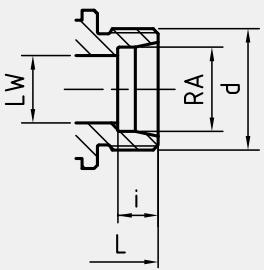
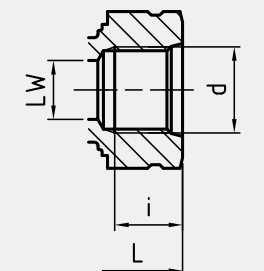
Please note the pressure ratings of the tube connections!
⁽¹⁾Transition adapters for light and heavy series on request.

*Article usually in stock.

Selector ball valve Stainless Steel

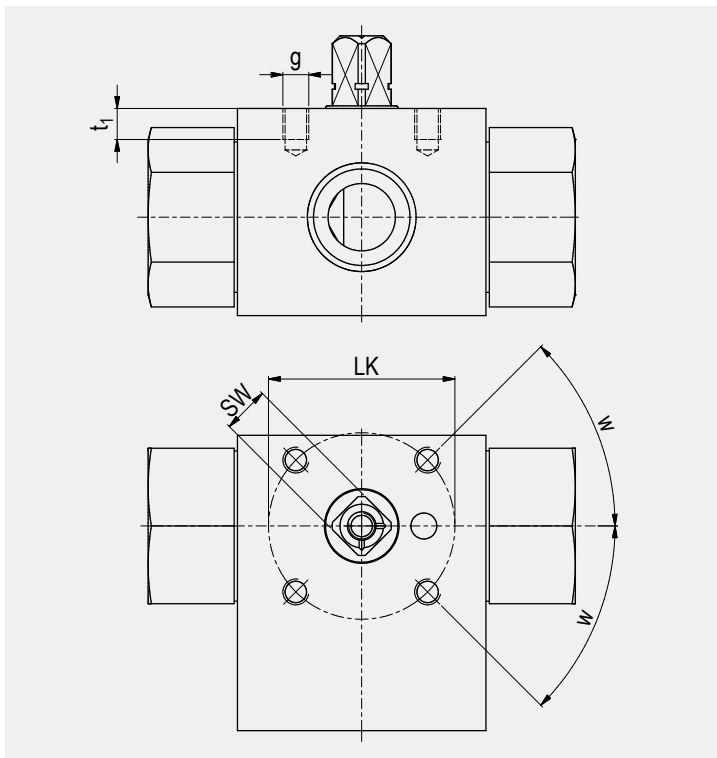
BK3

Multitway

CONNECTION TYPE (CONNECTIONS 1 AND 3)		DIMENSIONS											ORDER CODE PER MATERIAL COMBINATION					
DIN 2353 / ISO 8434-1 HEAVY SERIES		Type	LW	RA	L	b	S	i	d	i ₁	d ₁ ⁽¹⁾	LW ₁	Weight [Kg]	PN [bar]	442A L=SB50	442A T=SB51	4428 L=SB50	4428 T=SB51
		BK3-DN4-8S	5	8	73	13	34,5	7	M 16x1,5	10	G1/8	4	0,52	500	41866*	41873*	41880*	41887*
		BK3-DN6-10S	6	10	73	13	34,5	7,5	M 18x1,5	14	G1/4	6	0,54	500	41867*	41874*	41881*	41888*
		BK3-DN8-12S	8	12	76	13	34,5	7,5	M 20x1,5	14	G1/4	6	0,56	500	41868*	41875*	41882*	41889*
		BK3-DN10-14S	10	14	80	16	36	8	M 22x1,5	14	G3/8	10	0,73	500	41869*	41876*	41883*	41890*
		BK3-DN13-16S	13	16	86	17,5	39,5	8,5	M 24x1,5	16,3	G1/2	13	0,86	500	41870*	41877*	41884*	41891*
		BK3-DN13-20S	13	20	90	17,5	39,5	10,5	M 30x2	16	G5/8	13	0,94	500	41871*	41878*	41885*	41892*
		BK3-DN20-25S	20	25	109	24,5	47,5	12	M 36x2	18	G3/4	20	1,95	315	41872*	41879*	41886*	41893*
		BK3-DN25-30S	25	30	120	29	56,5	13,5	M 42x2	20	G1	25	2,65	315	42189*	42190*	42193*	42194*
		BK3-DN25/32-38S	25	38	124	29	57	16	M 52x2	22	G1 1/4	25	3,10	315	42191*	42192*	42195*	42196*
SAE J514/ISO/DIS11926-1 FEMALE THREAD		Type	LW	L	b	S	i	d	i ₁	d ₃	LW ₁	Weight [Kg]	PN [bar]	442A L=SB50	442A T=SB51	4428 L=SB50	4428 T=SB51	
		BK3-DN6-7/16"UNF	5	69	13	34,5	12	7/16"-20 UNF	12	7/16"-20 UNF	6	0,55	500	41894*	41898*	41902*	41906*	
		BK3-DN10-9/16"UNF	10	72	16	36	13	9/16"-18 UNF	13	9/16"-18 UNF	7,5	0,77	500	41895*	41899*	41903*	41907*	
		BK3-DN13-3/4"UNF	13	83	17,5	39,5	15	3/4"-16 UNF	15	3/4"-16 UNF	13	0,90	500	41896*	41900*	41904*	41908*	
		BK3-DN20-1 1/16"UN	20	95	24,5	47,5	20	1 1/16"-12 UN	20	1 1/16"-12 UN	16	1,95	315	41897*	41901*	41905*	41909*	
		BK3-DN25-1 5/16"UN	25	113	29	56,5	20	1 5/16"-12 UN	20	1 5/16"-12 UN	21	2,80	315	38312	38314	38313	38315	
		BK3-DN32-1 5/8"UN	30	111	39	60	20	1 5/8"-12 UN	20	1 5/8"-12 UN	30	7,00	350	38316	38318	38317	38319	
		BK3-DN40-1 7/8"UN	38	140	53	70	20	1 7/8"-12 UN	20	1 7/8"-12 UN	38	10,50	350	38320	38322	38321	38323	
		BK3-DN50-2 1/2"UN	48	150	58	75	20	2 1/2"-12 UN	20	2 1/2"-12 UN	48	14,50	350	38324	38326	38325	38327	

Please note the pressure ratings of the tube connections!
⁽¹⁾Transition adapters for light and heavy series on request.

*Article usually in stock.

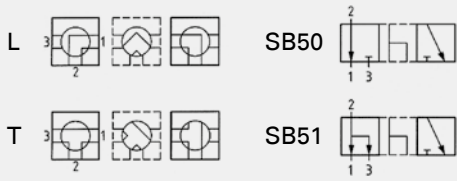


ASSEMBLING THREADS AS PER ISO 5211

DN	SW	LK	g	t ₁	w	ISO 5211
4	9	36	M5	6	30°*	(F03)*
6	9	36	M5	6	30°*	(F03)*
10	9	36	M5	7	45°	F03
13	9	36	M5	6	45°	F03
16	12	42	M5	8	45°	F04
20	14	50	M6	10	45°	F05
25	14	50	M6	10	45°	F05
25/32	14	50	M6	10	45°	F05
25/40	14	50	M6	10	45°	F05

*30° does not correspond to ISO 5211

PORTING PATTERNS



! Pressure inlet only from center port (port 2)!

Further porting patterns page 262 to 267

Please see type BK3-S or 3KH in case you need pressure inlet from all ports.

FLOW CHARACTERISTICS BK3-L/T

