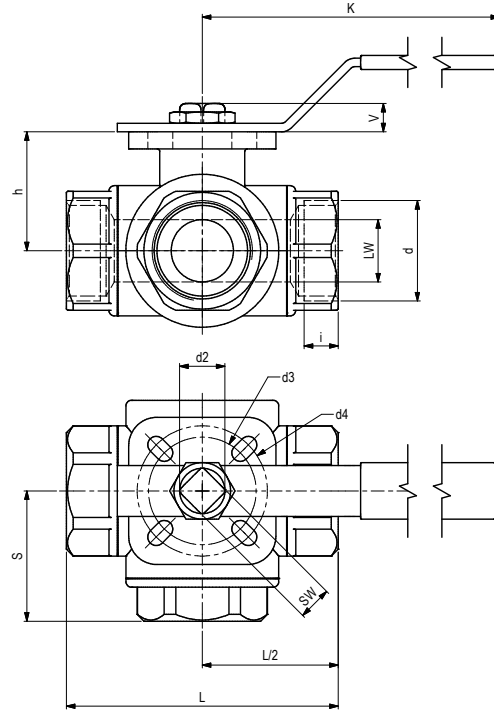
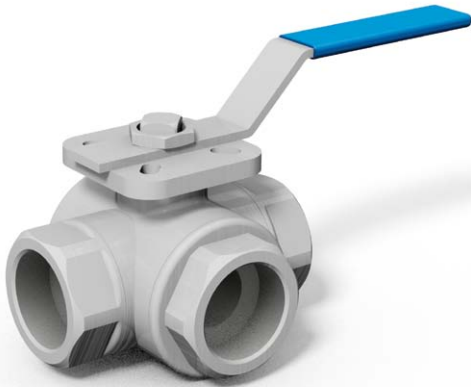


# 3-way low-pressure ball valve Stainless Steel

## NK3



### AVAILABLE SIZES

DN6 - DN50 (1/4" to 2")

### MATERIAL CODE DESCRIPTION

Materials	4474
Body	CF8M (Stainless Steel)
Ball	Stainless Steel
Stem	Stainless Steel
Ball seats	PTFE
O-rings	PTFE
Tmin / Tmax	-30°C / 200°C
Porting pattern	L=SB50

### ACCESSORIES ON REQUEST

• Locking devices included

### CONNECTIONS

DIN ISO 228 Female thread

### GENERAL DIMENSIONS

Type	LW	L	h	K	V	d2	SW	S	ISO5211	d3	d4	Lever	i	Weight [Kg]
NK3-DN10/6	11	72	38	106	9	11	9	36	F03/F04	36	42	SS	13	0,68
NK3-DN10	11	72	38	106	9	11	9	36	F03/F04	36	42	SS	13	0,67
NK3-DN13	12,7	75	40	106	9	11	9	38	F03/F04	36	42	SS	14,9	0,67
NK3-DN20	16	86	43	133	9	11	9	42	F03/F04	36	42	SS	17,5	0,88
NK3-DN25	20	100	50	133	11	14	11	50	F04/F05	42	50	SS	16,3	1,55
NK3-DN32	25	115	56	133	11	14	11	58	F04/F05	42	50	SS	21	2,21
NK3-DN40	32	125	66	187	14	18	14	64	F05/F07	50	70	SS	21	3,41
NK3-DN50	38,1	150	74	187	14	18	14	76	F05/F07	50	70	SS	23	5,40

### ORDER CODE PER MATERIAL COMBINATION

Type	d	PN [bar]	4474 L=SB50
NK3-DN10/6-G1/4	G1/4	63	58750
NK3-DN10-G3/8	G3/8	63	58751
NK3-DN13-G1/2	G1/2	63	58752
NK3-DN20-G3/4	G3/4	63	58753
NK3-DN25-G1	G1	63	58754
NK3-DN32-G1 1/4	G1 1/4	63	58755
NK3-DN40-G1 1/2	G1 1/2	63	58756
NK3-DN50-G2	G2	63	58757

# 3-way low-pressure ball valve Stainless Steel

NK3

## PRESSURE/TEMPERATURE RELATION

Pressure/Temperature curve  
NK3 Stainless Steel

