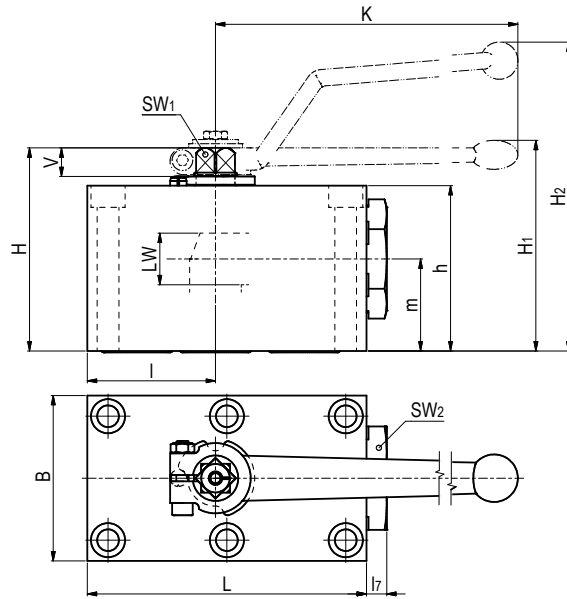


# Selector ball valve for manifold mounting Steel

PK3-S



## AVAILABLE SIZES

DN6 - DN50 (1/4" to 2")

## ACCESSORIES ON REQUEST

- Locking devices on request
- Actuators page 220 - 221
- Position switches on request
- Detent on request



**Pressure inlet possible from all ports! Must be operated only at  $\Delta P=0\text{bar}$ !**

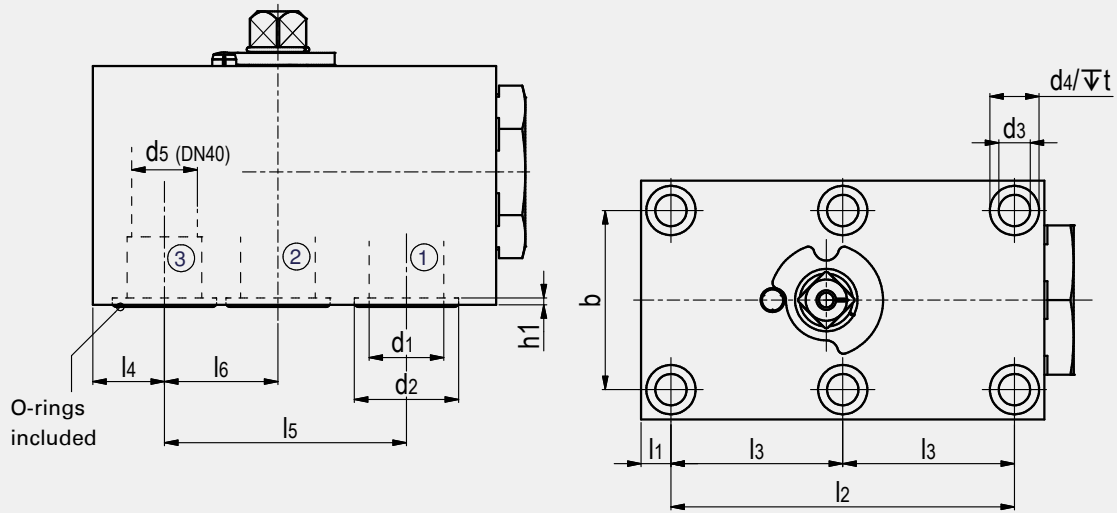
## MATERIAL CODE DESCRIPTION

Materials	118A	1188
Body	Steel	Steel
Ball	Steel	Steel
Stem	Steel	Steel
Ball seats	POM	POM
O-rings	NBR	FPM
Tmin /Tmax	-20°C / 100°C	-20°C / 100°C
Porting pattern	L=SB57	L=SB57

## GENERAL DIMENSIONS

Type	I	L	L <sub>7</sub>	B	H	h	m	V	SW <sub>1</sub>	SW <sub>2</sub>	K	LW	H <sub>1</sub>	H <sub>2</sub>	Lever	Weight [Kg]
PK3-S-DN6	26	57	6	40	43	35	19,5	6	7	19	80	5	-	67	Zn	0,60
PK3-S-DN10	34	75	10	55	59	45	24,5	11	9	30	115	10	-	93	Zn	1,40
PK3-S-DN13	42,5	98	10	60	69	55	34	11	9	32	115	13	-	104	Zn	2,30
PK3-S-DN20	51	117	10	70	88	70	37,5	14	14	46	200	20	92	-	Zn	3,90
PK3-S-DN25	62	135	10	80	98	80	44,5	14	14	50	200	25	102	-	Zn	5,65
PK3-S-DN32	75	165	11	100	121	100	54,5	16,5	17	70	320	30	130	-	Al	11,00
PK3-S-DN40	84,5	200	17	130	131	110	57	16,5	17	80	320	38	140	-	Al	18,70
PK3-S-DN50	106	240	15	150	150	129	71	16,5	17	90	320	48	159	-	Al	28,80

### CONNECTION



### CONNECTION DIMENSIONS

Type	l <sub>1</sub>	l <sub>2</sub>	l <sub>3</sub>	l <sub>4</sub>	l <sub>5</sub>	l <sub>6</sub>	b	d <sub>1</sub>	d <sub>2</sub>	h <sub>1</sub>	d <sub>3</sub>	d <sub>4</sub>	t	d <sub>5</sub>	Dimension of screws (min) <sup>(1)</sup>	Torque of screws in Nm <sup>(1)</sup>	O-ring	ORDER CODE PER MATERIAL COMBINATION		
																		PN [bar]	118A L=SB57	1188 L=SB57
PK3-S-DN6	8,5	35	-	8,5	35	17,5	27	6	11,8	1,9	6,5	10,5	6,8	-	4 x M6x40 - 12.9	14	7x2,5	250	26008	37548
PK3-S-DN10	12,5	55	-	15	44	19	40	9,5	14,9	1,9	8,4	13,5	8,5	-	4 x M8x50 - 12.9	35	10x2,5	500	26409	37549
PK3-S-DN13	7,5	83	41,5	16	58	26,5	45	13	24,9	1,9	8,4	13,5	7	-	6 x M8x60 - 12.9	35	20x2,5	400	36240	32019
PK3-S-DN20	10	97	48,5	20	69	31	51	20	29	2	10,5	16,5	10,5	-	6 x M10x80 - 12.9	70	23,47x2,62	315	33206	29760
PK3-S-DN25	10	115	57,5	24	81	38	60	25	34,9	2,3	10,5	16,5	10,5	-	6 x M10x90 - 12.9	70	29x3	315	26011	37553
PK3-S-DN32	12	136	68	29	96	46	78	32	40	2	13	19	12	-	6 x M12x110 - 12.9	110	34,59x2,62	420	58469	58470
PK3-S-DN40	28,5	112	56	28,5	112	56	95	38	47,7	2,3	16,5	25	19	36	6 x M16x120 - 12.9	300	42x3	420	29281	37551
PK3-S-DN50	38	136	68	38	136	68	112	48	59,8	2,3	21	31	21,5	-	6 x M20x140 - 12.9	600	54x3	420	26007	37552

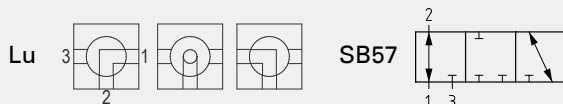
<sup>(1)</sup> Fixing screws not included.

We recommend screws as per ISO4762 (DIN 912).

The indicated property classes and torques represent our recommended guidelines at a friction coefficient of 14%.

Due to material availability the material code of the steel valves may vary from 118A (or 1188). DN6=1183 (or 1185), DN32-50=818A (or 8188). Material suitability for the application does not differ from 118A (or 1188).

### PORTING PATTERNS



**Pressure inlet possible from all ports!**  
**Must be operated only at ΔP=0bar!**

PK3-S with positive overlap  
Operation 180°  
L-bore

Further porting patterns  
page 262 to 267

### FLOW CHARACTERISTICS PK3-S

