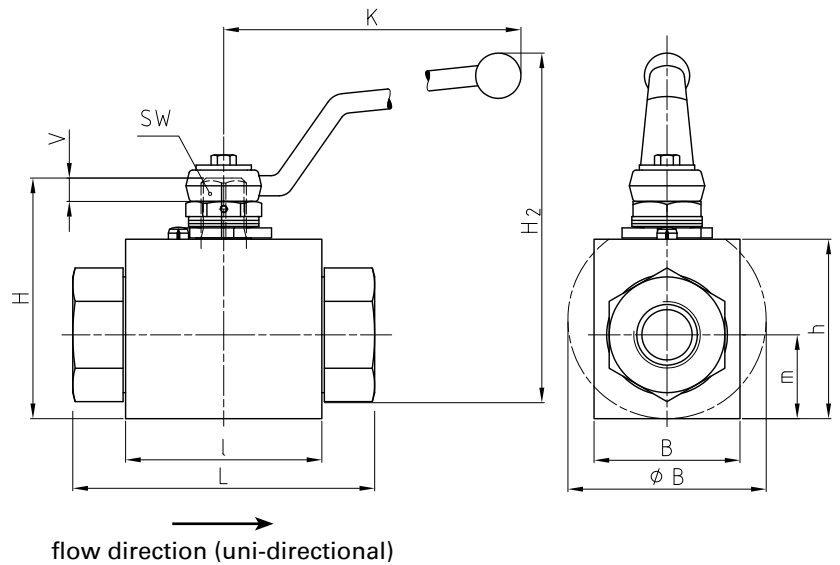
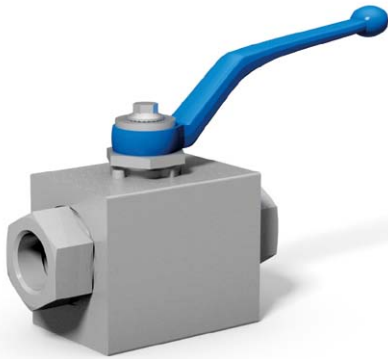


Block ball valve with fire-safe approval Stainless Steel

BKH



AVAILABLE SIZES

DN13 - DN50 (1/2" to 2")

CONNECTIONS

DIN ISO 228 Female thread, ANSI B1.20.1 NPT Female thread

ACCESSORIES ON REQUEST

- Locking devices on request
- Actuators on request
- Mounting holes on request
- Position switches on request
- Combinations on request
- Detent on request

MATERIAL CODE DESCRIPTION

Materials	44m8	44bA
Body	Stainless Steel	Stainless Steel
Ball	Stainless Steel	Stainless Steel
Stem	Stainless Steel	Stainless Steel
Primary ball seats	PEEK	POM
Secondary ball seats	Stainless Steel	Stainless Steel
Primary body and stem sealing	FPM	NBR
Secondary body and stem sealing	Graphite	Graphite
Tmin / Tmax	-20°C / 200°C	-30°C / 100°C

GENERAL DIMENSIONS

Type	l	B	H	h	m	V _{min}	SW	K	H ₂	Lever
< DN13 on request										
BKH-DN13	74,5	49	72	57	31,3	8	9	133	99	SS
BKH-DN20	78	70	94	70	32	9,5	14	161	127	SS
BKH-DN25	78	70	94	70	29,5	9,3	14	161	127	SS
BKH-DN32	102	Ø112	132	101,5	56	14	17	227	208	SS
BKH-DN40	97	Ø110	133	102	49	14	17	227	209	SS
BKH-DN50	101	Ø132	140	109,5	51,5	14,6	17	227	230	SS

Fire-safe approval as per BS 6755T.2, API 6 FA, ISO 10497

Block ball valve with fire-safe approval Stainless Steel

BKH



CONNECTION TYPE	DIMENSIONS						ORDER CODE PER MATERIAL COMBINATION		
DIN ISO 228 FEMALE THREAD	Type	LW	L	i	d	Weight [Kg]	PN [bar]	44m8	44bA
	BKH-DN13-G 1/2	13	105	16,3	G 1/2	1,90	420	on request	on request
	BKH-DN20-G 3/4	20	120	18	G 3/4	3,41	420	53165	on request
	BKH-DN25-G 1	25	125	20	G 1	3,41	420	53163	on request
	BKH-DN32-G 1 1/4	32	138	22	G 1 1/4	8,00	315	53431	50921
	BKH-DN40-G 1 1/2	38	150	24	G 1 1/2	7,80	315	53455	-
	BKH-DN50-G 2	48	160	26	G 2	9,00	315	53432	53447

CONNECTION TYPE	DIMENSIONS						ORDER CODE PER MATERIAL COMBINATION		
ANSI B1.20.1 NPT FEMALE THREAD	Type	LW	L	i	d	Weight [Kg]	PN [bar]	44m8	44bA
	BKH-DN13-1/2" NPT	13	105	17	1/2" NPT	1,90	420	on request	on request
	BKH-DN20-3/4" NPT	20	120	18,3	3/4" NPT	3,41	420	54291	on request
	BKH-DN25-1" NPT	25	125	21,6	1" NPT	3,41	420	54292	33864
	BKH-DN32-1 1/4" NPT	32	138	22,1	1 1/4" NPT	8,10	315	53434	48457
	BKH-DN40-1 1/2" NPT	38	150	22,1	1 1/2" NPT	7,90	315	53435	-
	BKH-DN50-2" NPT	48	160	30,3	2" NPT	9,10	315	53436	53448

Please note the pressure ratings of the tube connections!

Application-specific