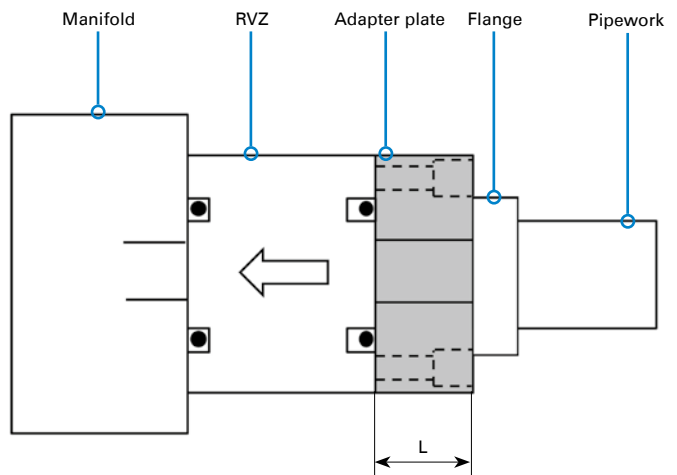
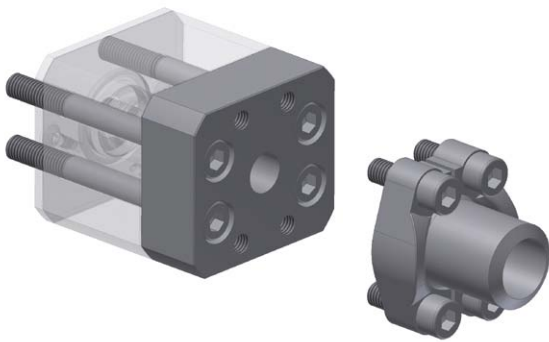


RVZ double flange pattern adapter plate Steel / Stainless Steel

RVZ-SAE



MATERIAL CODE DESCRIPTION

Materials	1	4
Body	Steel	Stainless Steel (on request)

The adapter plate expands the functional range of the RVZ with additional threaded connections. Through that it is (for example) possible to remove a connected pipe from the RVZ without removing the RVZ from the manifold it is attached to.

DIMENSIONS ISO 6162-1/SAE210

Connection	DN	L	PN (bar)	ORDER CODE PER MATERIAL	
				1	4
SAE210	15	on request	210	on request	on request
SAE210	20	29	210	55443	on request
SAE210	25	29	210	55444	on request
SAE210	32	33	210	55445	on request
SAE210	40	33	210	55446	on request
SAE210	50	33	210	55447	on request

DIMENSIONS ISO 6162-2/SAE420

Connection	DN	L	PN (bar)	ORDER CODE PER MATERIAL	
				1	4
SAE420	15	on request	420	on request	on request
SAE420	20	on request	420	on request	on request
SAE420	25	on request	420	on request	on request
SAE420	32	on request	420	on request	on request
SAE420	40	on request	420	on request	on request
SAE420	50	on request	420	on request	on request

FLOW CHARACTERISTICS

