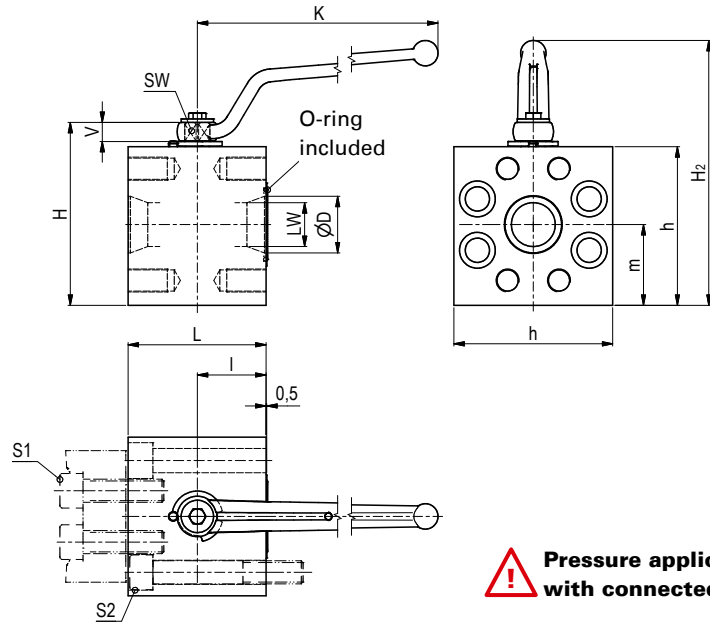
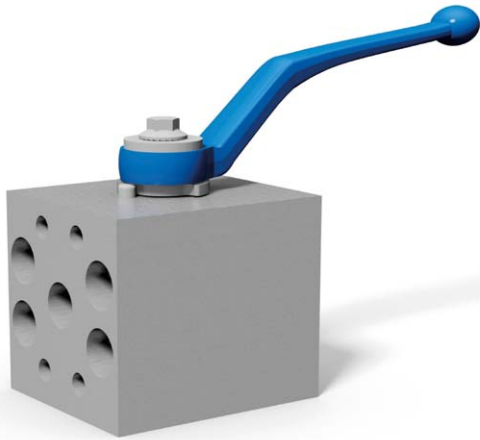


Intermediate ball valve with SAE connection metric / UNC Steel

KHZ

Two-way



! Pressure application only with connected flanges!

AVAILABLE SIZES

DN13 - DN50 (1/2" to 2")

CONNECTIONS

ISO 6162-1, ISO 6162-2

ACCESSORIES ON REQUEST

- Locking devices page 225
- Actuators 220 - 221
- Mounting holes on request
- Position switches on request
- Combinations on request
- Detent on request

MATERIAL CODE DESCRIPTION

Materials	112A	1128
Body	Steel	Steel
Ball	Steel	Steel
Stem	Steel	Steel
Ball seats	POM	POM
O-rings	NBR	FPM
Tmin / Tmax	-10°C / 100°C	-10°C / 100°C

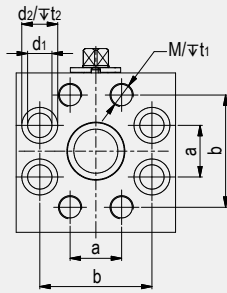
GENERAL DIMENSIONS

Type	LW	D	L	I	H	h	m	K	SW	V	H ₂	Lever	Weight [Kg]
KHZ-DN13	13	13	68	34	72	58	30	115	9	11	109	St	1,8
KHZ-DN20	20	20	70	35	93	75	37,5	171	14	14	146	St	2,8
KHZ-DN25	25	25	78	39	103	84,5	44	171	14	14	155	St	3,9
KHZ-DN32	25	32	90	45	119	100	50	171	14	14	171	St	6,5
KHZ-DN40	32	38	99	49,5	141	120	60	306	17	17	214	St	10,5
KHZ-DN50	38	49	120	60	158,5	137,5	70	306	17	17	232	St	16,5

These intermediate ball valves have been designed with both bore patterns in accordance with ISO 6162-1 or ISO 6162-2. They can either be flanged on one side to a hydraulic block and connected on the other side with a hydraulic pipe, or they can be installed into a pipe system. Please note the pressure ratings of the connection flanges!

CONNECTION TYPE

ISO 6162-1

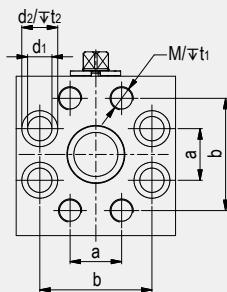


DIMENSIONS

Type	a	b	M	t ₁	d ₁	d ₂	t ₂	S1 ⁽¹⁾ Dimension of screws (min)	S2 ⁽¹⁾ Dimension of screws (min)	O-ring	ORDER CODE PER MATERIAL COMBINATION		
											PN [bar]	112A	1128
KHZ-DN13-SAE210	17,5	38,1	M8	15	8,5	13,5	9	M8x30 – 10.9	M8x70 – 10.9	18,64x3,53	350	47110	47122
KHZ-DN20-SAE210	22,2	47,6	M10	17	10,5	16,5	11	M10x30 – 10.9	M10x80 – 10.9	24,99x3,53	350	47111	41625
KHZ-DN25-SAE210	26,2	52,4	M10	17	10,5	16,5	11	M10x30 – 10.9	M10x80 – 10.9	32,92x3,53	320	47112	47141
KHZ-DN32-SAE210	30,2	58,7	M10	21	10,5	16,5	11	M10x30 – 10.9	M10x90 – 10.9	37,69x3,53	280	47113	41627
KHZ-DN40-SAE210	35,7	69,9	M12	21	13	19	13	M12x35 – 10.9	M12x100 – 10.9	47,22x3,53	210	47114	41628
KHZ-DN50-SAE210	42,9	77,8	M12	21	13	19	13	M12x35 – 10.9	M12x120 – 10.9	56,74x3,53	210	47115	47123
KHZ-DN13-SAE210	17,5	38,1	5/16"UNC	15	8,5	13,5	9	5/16"UNCx30 – 10.9	5/16"UNCx70 – 10.9	18,64x3,53	350	47129	47135
KHZ-DN20-SAE210	22,2	47,6	3/8"UNC	17	10,5	16,5	11	3/8"UNCx30 – 10.9	3/8"UNCx80 – 10.9	24,99x3,53	350	41637	41710
KHZ-DN25-SAE210	26,2	52,4	3/8"UNC	17	10,5	16,5	11	3/8"UNCx30 – 10.9	3/8"UNCx80 – 10.9	32,92x3,53	320	47144	47142
KHZ-DN32-SAE210	30,2	58,7	7/16"UNC	21	10,5	16,5	11	7/16"UNCx30 – 10.9	7/16"UNCx90 – 10.9	37,69x3,53	280	41639	41712
KHZ-DN40-SAE210	35,7	69,9	1/2"UNC	21	13	19	13	1/2"UNCx35 – 10.9	1/2"UNCx100 – 10.9	47,22x3,53	210	41640	41713
KHZ-DN50-SAE210	42,9	77,8	1/2"UNC	21	13	19	13	1/2"UNCx35 – 10.9	1/2"UNCx120 – 10.9	56,74x3,53	210	47130	47136

CONNECTION TYPE

ISO 6162-2



DIMENSIONS

Type	a	b	M	t ₁	d ₁	d ₂	t ₂	S1 ⁽¹⁾ Dimension of screws (min)	S2 ⁽¹⁾ Dimension of screws (min)	O-ring	ORDER CODE PER MATERIAL COMBINATION		
											PN [bar]	112A	1128
KHZ-DN13-SAE420	18,2	40,5	M8	15	8,5	13,5	9	M8x30 – 10.9	M8x70 – 10.9	18,64x3,53	420	47116	47124
KHZ-DN20-SAE420	23,8	50,8	M10	17	10,5	16,5	11	M10x35 – 12.9	M10x80 – 12.9	24,99x3,53	420	47117	41631
KHZ-DN25-SAE420	27,8	57,2	M12	21	13	19	13	M12x45 – 10.9	M12x80 – 10.9	32,92x3,53	420	47118	47125
KHZ-DN32-SAE420	31,8	66,7	M12	20	13	19	13	M12x45 – 10.9	M12x90 – 10.9	37,69x3,53	420	47119	47126
KHZ-DN40-SAE420	36,5	79,4	M16	27	17	25	17,5	M16x55 – 10.9	M16x100 – 10.9	47,22x3,53	420	47120	47127
KHZ-DN50-SAE420	44,5	96,8	M20	34	21	31	21,5	M20x70 – 10.9	M20x130 – 10.9	56,74x3,53	420	47121	47128
KHZ-DN13-SAE420	18,2	40,5	5/16"UNC	15	8,5	13,5	9	5/16"UNCx30 – 10.9	5/16"UNCx70 – 10.9	18,64x3,53	420	47131	47137
KHZ-DN20-SAE420	23,8	50,8	3/8"UNC	17	10,5	16,5	11	3/8"UNCx35 – 12.9	3/8"UNCx80 – 12.9	24,99x3,53	420	41643	41716
KHZ-DN25-SAE420	27,8	57,2	7/16"UNC	21	13	19	13	7/16"UNCx45 – 10.9	7/16"UNCx80 – 10.9	32,92x3,53	420	47145	47143
KHZ-DN32-SAE420	31,8	66,7	1/2"UNC	20	13	19	13	1/2"UNCx45 – 10.9	1/2"UNCx90 – 10.9	37,69x3,53	420	47132	47138
KHZ-DN40-SAE420	36,5	79,4	5/8"UNC	26	17	25	17,5	5/8"UNCx55 – 10.9	5/8"UNCx100 – 10.9	47,22x3,53	420	47133	47139
KHZ-DN50-SAE420	44,5	96,8	3/4"UNC	34	21	31	21,5	3/4"UNCx70 – 10.9	3/4"UNCx130 – 10.9	56,74x3,53	420	47134	47140

⁽¹⁾ Screws and flanges not included