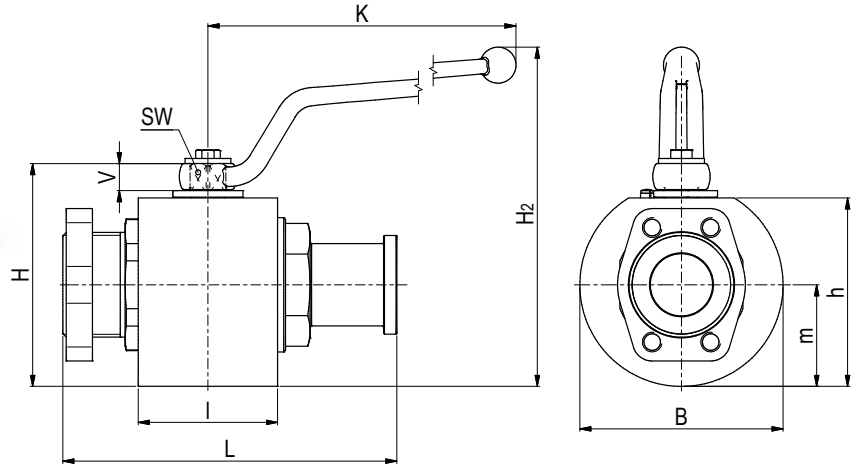
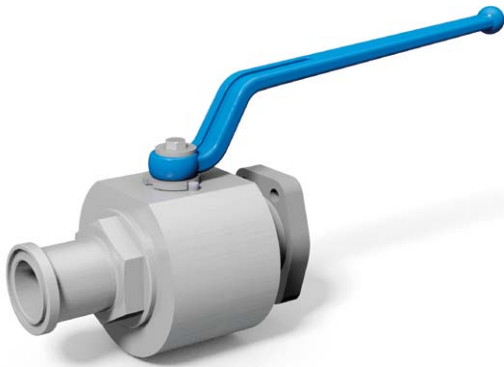


# Ball valve with SAE adapter / split flange adapter Stainless Steel

MKHP-SAE/SAEFS

Two-way



## AVAILABLE SIZES

DN32 - DN50 (1 1/4" to 2")

## CONNECTIONS

ISO 6162-1, ISO 6162-2

## ACCESSORIES ON REQUEST

- Locking devices page 222 - 225
- Actuators 220 - 221
- Mounting holes 28
- Position switches 228 - 229
- Combinations on request
- Detent on request

## MATERIAL CODE DESCRIPTION

Materials	442A	4428
Body	Stainless Steel	Stainless Steel
Ball	Stainless Steel	Stainless Steel
Stem	Stainless Steel	Stainless Steel
Ball seats	POM	POM
O-rings	NBR	FPM
Tmin / Tmax	-30°C / 100°C	-20°C / 100°C

## GENERAL DIMENSIONS

Type	l	B	H	h	m	V	SW	K	H <sub>2</sub>	Lever
MKHP-DN32	80	109	121	100	54,5	16,5	17	306	194	St
MKHP-DN40	85	124	136	115	62	16,5	17	306	209	St
MKHP-DN50	101	132	145	124	66	16,5	17	306	218	St

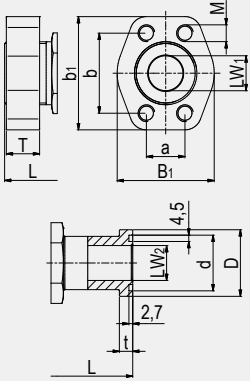
Please note the pressure ratings of the connection flanges!

# Ball valve with SAE adapter / split flange adapter Stainless Steel

## MKHP-SAE/SAEFS

### CONNECTION TYPE

ISO 6162-1



### DIMENSIONS

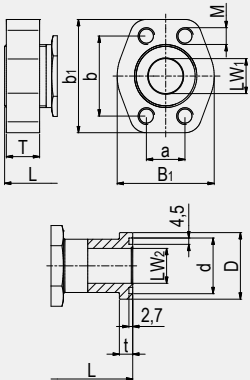
Type	LW <sub>1</sub>	LW <sub>2</sub>	L	B <sub>1</sub>	b <sub>1</sub>	T	a	b	M <sup>(1)</sup>	d	D	t	Weight [Kg]
MKHP-DN32-SAE210/SAEFS210	32	30	181	68	79	16	30,2	58,7	M10	44,6	50,8	8,1	7,86
MKHP-DN40-SAE210/SAEFS210	38	38	204	78	93	16	35,7	69,9	M12	54,1	60,3	8,1	11,43
MKHP-DN50-SAE210/SAEFS210	48	48	214	90	102	16	42,9	77,8	M12	63,6	71,4	9,6	15,85

### ORDER CODE PER MATERIAL COMBINATION

PN [bar]	442A	4428
280	on request	
210	on request	
210	on request	

### CONNECTION TYPE

ISO 6162-2



### DIMENSIONS

Type	LW <sub>1</sub>	LW <sub>2</sub>	L	B <sub>1</sub>	b <sub>1</sub>	T	a	b	M <sup>(1)</sup>	d	D	t	Weight [Kg]
MKHP-DN32-SAE420/SAEFS420	32	30	198	78	95	27	31,8	66,7	M12	44,6	54	10,4	8,51
MKHP-DN40-SAE420/SAEFS420	38	38	229	94	112	30	36,5	79,4	M16	54,1	63,5	12,7	11,95
MKHP-DN50-SAE420/SAEFS420	48	48	256	114	134	35	44,5	96,8	M20	63,6	79,4	12,7	12,32

### ORDER CODE PER MATERIAL COMBINATION

PN [bar]	442A	4428
420	on request	
420	on request	
420	on request	

<sup>(1)</sup> UNC threads on request.