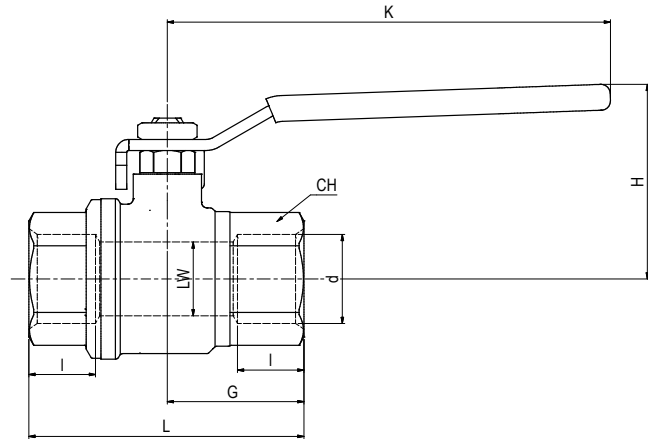


2-way low-pressure ball valve Brass

NKH



AVAILABLE SIZES

DN8 - DN100 (3/8" to 4")

MATERIAL CODE DESCRIPTION

Materials	5574
Body	Brass
Ball	Brass
Stem	Brass
Ball seats	PTFE
O-rings	PTFE
Tmin /Tmax	-40°C / 170°C

ACCESSORIES ON REQUEST

- Butterfly handle on request
- Round handle on request

CONNECTIONS

DIN ISO 228 Female thread

GENERAL DIMENSIONS

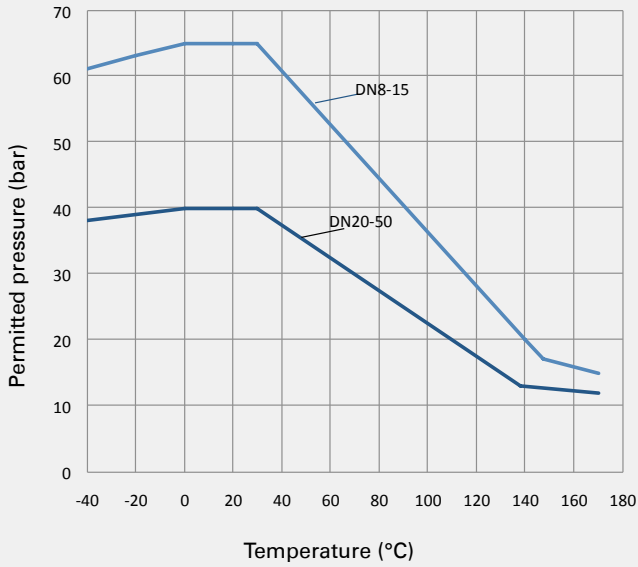
Type	LW	I	L	G	K	H	CH	Lever	Weight [Kg]
NKH-DN8/6	8	12,5	51	25,5	82	39,5	22	St	0,19
NKH-DN10	10	12,5	51	25,5	82	39,5	22	St	0,19
NKH-DN15	15	15,5	61	30,5	100	43	27	St	0,27
NKH-DN20	20	18	74,5	37	120	52,5	32	St	0,44
NKH-DN25	25	21	90,5	45,5	120	57	41	St	0,79
NKH-DN32	32	23	104	52	158	78	50	St	1,11
NKH-DN40	40	24,5	117	59	158	85	55	St	1,53
NKH-DN50	50	26,5	135	67,5	158	92	70	St	2,48
NKH-DN65	65	22	136	68	255	132	85	St	4,44
NKH-DN80	80	25	157	78,5	255	140	99	St	5,84
NKH-DN100	100	29	191	95,5	255	154	125	St	9,10

ORDER CODE PER MATERIAL COMBINATION

Type	d	PN [bar]	5574
NKH-DN8/6-G1/4	G1/4	65	58712
NKH-DN10-G3/8	G3/8	65	58713
NKH-DN15-G1/2	G1/2	65	58714
NKH-DN20-G3/4	G3/4	40	58715
NKH-DN25-G1	G1	40	58716
NKH-DN32-G1 1/4	G1 1/4	40	58717
NKH-DN40-G1 1/2	G1 1/2	40	58718
NKH-DN50-G2	G2	40	58719
NKH-DN65-G2 1/2	G2 1/2	30	58720
NKH-DN80-G3	G3	30	58721
NKH-DN100-G4	G4	30	58722

PRESSURE/TEMPERATURE RELATION

Pressure/Temperature curve
NKH DN8-50



Pressure/Temperature curve
NKH DN65-100

