

The logo features the letters 'DMIC' in a stylized, outlined font. The 'D' and 'C' are red, while the 'M' and 'I' are blue. The letters are superimposed on a realistic image of the Earth, showing continents and oceans. A blue wavy line is positioned below the globe, suggesting water or a horizon. The entire logo is centered within a dark, circular glow.

DMIC

Tank Accessories

'LGD' LEVEL GAUGES

Premium aluminum design; Thick borosilicate glass; 3", 5" & 10" lengths ;
Optional Bimetallic Thermometer



DMIC's new Level Gauge brings the quality oriented power unit builder an alternative to breakage prone, low cost level gauges. DMIC's innovative "floating ball" design works with all principal hydraulic fluids.

- Made from premium 6061-T6 aluminum and clear anodized to compliment your high end power unit's aesthetics; **Made in U.S.A**
- Engineered to provide **160° fluid level field of view**
- Bimetallic Thermometer options provide repeatability and eliminate the uncertainty of loosely graduated "alcohol bulb" thermometers
- "Level Gauge Manifold" mounting option enables quick release of level gauge from reservoir without fluid leakage; 'TRM' Remote
- Uses O-Ring sealing to eliminate leakage. Ships standard with Buna-N, Factory option of EPR and Viton sealing ;
Readily available service parts

Dimension Views/Ordering Codes

LGD - ** - 4 1 1 Z**

Level Gauge Model

Code	Description
LGD	Level Gauge
TRM	Therm Remote Mount

Nominal Size Code

Code	Description
3000	3" Bolt Cntr
5000	5" Bolt Cntr
A000	10" Bolt Cntr

Body Material

Code	Description
4	Aluminum

Sealing

Code	Description
1	Buna-N
2	EPR
3	Viton
4	Teflon

Thermometer Option

Code	Description
Z	No Thermometer
A	1-3/8" Themometer

Mounting Bolts

Code	Description
1	1/2"-13 UNC
2	1/2"-20 UNF
3	M12 Metric

LGD	Dimensions (inches)										
	A Body Width	B Body Height	C Overall Height	D Sight Length	E Mounting Centers	F Side to Mount Center	G Body Width	H Back to Front	J Mount Depth	K Themo Depth	L Back to Themo Face
LGD-3000	1.75	4.00	4.11	2.50	3.00	1.19	0.68	1.00	1.00	2.62	1.55
LGD-5000	1.75	6.00	6.11	4.50	5.00	1.19	0.75	1.00	1.00	2.62	1.55
LGD-8000	1.75	9.00	9.11	7.13	8.00	1.19	0.75	1.00	1.00	2.62	1.55
LGD-A000	1.75	11.00	11.11	9.13	10.00	1.19	0.75	1.00	1.00	2.62	1.55

Due to our policy of continual product improvement, the specifications in this catalog may change without notice. When designing by spec, please request a certified print.



'LGL' LEVEL GAUGES

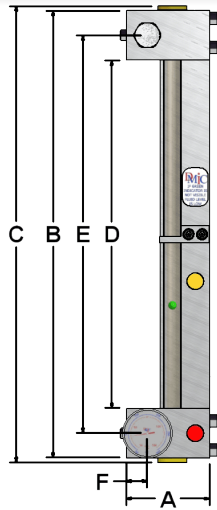
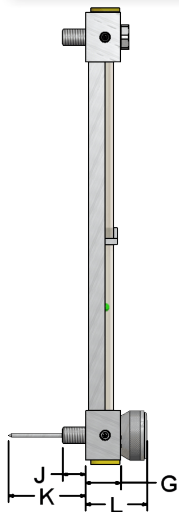
Custom Length Level Gauge



DMIC introduces the 'LGL' Custom Length Level Gauge, for customers building very large power units or requiring fluid level indication of enormous reservoirs.

- Basic architecture of the 'LGL' is derived from the 'LGD'
- Buyer specifies the desired length.
- Due to raw material limitations, the max length of an 'LGL' is approx 144 inches.

Dimension Views/Ordering Codes



LGL - ***** - 4 3 1 A

LGL Custom Length	
Code	Description
Six digit number corresponding to the length between bolt centers in 1/1000ths of an inch. To order an 80" length insert 080000 here	

Body Material	
Code	Description
4	Aluminum

Thermometer Option	
Code	Description
Z	No Thermometer
A	1-3/8" Thermometer

Mounting Bolts	
Code	Description
1	1/2"-13 UNC
2	1/2"-20 UNC
3	M12 Metric

Sealing	
Code	Description
1	Buna-N
2	EPR
3	Viton
4	Teflon

LGL	Dimensions (inches)										
	A Body Width	B Body Height	C Overall Height	D Sight Length	E Mounting Centers	F Side to Mount Center	G Body Width	H Back to Front	J Mount Depth	K Themo Depth	L Back to Themo Face
LGL-012000	2.50	13.50	13.78	10.50	12.00	0.63	1.06	1.31	0.69	2.31	1.86
LGL-014000	2.50	15.50	15.78	12.50	14.00	0.63	1.06	1.31	0.69	2.31	1.86
LGL-018000	2.50	19.50	19.78	16.50	18.00	0.63	1.06	1.31	0.69	2.31	1.86
LGL-020000	2.50	21.50	21.78	18.50	20.00	0.63	1.06	1.31	0.69	2.31	1.86
LGL-024000	2.50	25.50	25.78	22.50	24.00	0.63	1.06	1.31	0.69	2.31	1.86
LGL-026000	2.50	27.50	27.78	24.50	26.00	0.63	1.06	1.31	0.69	2.31	1.86
LGL-036000	2.50	37.50	37.78	34.50	36.00	0.63	1.06	1.31	0.69	2.31	1.86
LGL-042000	2.50	43.50	43.78	40.50	42.00	0.63	1.06	1.31	0.69	2.31	1.86
LGL-048000	2.50	49.50	49.78	46.50	48.00	0.63	1.06	1.31	0.69	2.31	1.86

Due to our policy of continual product improvement, the specifications in this catalog may change without notice. When designing by spec, please request a certified print.



'TRM' REMOTE WELL

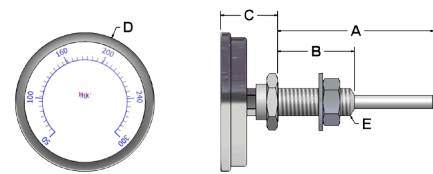
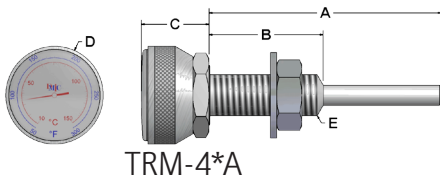
Innovative solution for quick and clean replacement of broken Level Gauges ; Prevents leakage

DMIC's 'TRM' Remote Well installs in the reservoir or with specially optioned 'LGM' Level Gauge Manifolds



- 'TRM' saves aggravation in the event of damage to the thermometer or probe.
- Thermometer can be removed in event of breakage without draining reservoir.

Dimension Views/Ordering Codes



TRM	-	4	1	A	Thermometer Option
					Code
					Description
					A
					1-3/8" Diameter
					B
					3" Diameter
					Z
					No Thermometer

Body Material	
Code	Description
4	Aluminum

Sealing	
Code	Description
1	Buna-N
2	EPR
3	Viton

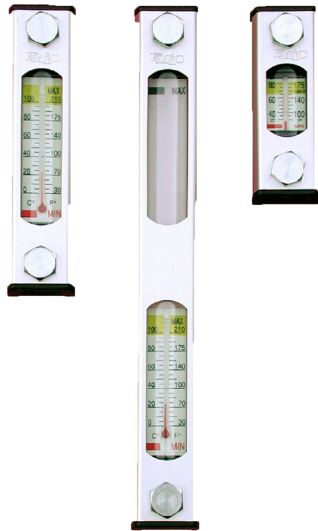
TRM	Dimensions (inches)				
	A Internal Length	B Thread Length	C External Length	D Gauge Diameter	E Thread UNC
TRM-4*A	3.56	1.75	1.04	1.50	5/8
TRM-4*B	3.56	1.75	1.3	3.18	5/8

Due to our policy of continual product improvement, the specifications in this catalog may change without notice. When designing by spec, please request a certified print.



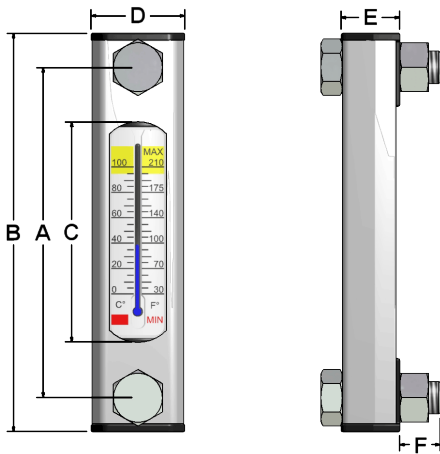
'LGA/LTA' LEVEL GAUGES

Mainstream Model with best quality at this price point; 3", 5" & 10" lengths ; Optional Thermometer



Every vendor sells an economy level gauge. DMIC's entry is made for top reliability and durability at this price point. Attention to quality in DMIC's design includes reasonable calibration of the thermometer, better mounting of the thermometer to the backing plate, and o-ring sealing

Dimension Views/Ordering Codes



LGA - ********

Level Gauge Model		Nominal Size Code	
Code	Description	Code	Description
LGA	No Thermometer	3000	3" Bolt Cntr
LTA	With Thermometer	5000	5" Bolt Cntr
		A000	10" Bolt Cntr

This product series is furnished with METRIC bolts only.

LGA/LTA	Dimensions (inches)							
	A Mounting Centers	B Overall Height	C Sight Length	D Width	E Depth	F Mount Depth	Temp Range	Mounting Bolts
LGA/LTA-3000	3.00	4.19	1.60	1.38	0.81	1.00	40°C - 100°C	M10
LGA/LTA-5000	5.00	6.19	3.38	1.38	0.81	1.00	0°C - 100°C	M12
LGA/LTA-A000	10.00	11.19	3.38	1.38	0.81	1.00	0°C - 100°C	M12

Due to our policy of continual product improvement, the specifications in this catalog may change without notice. When designing by spec, please request a certified print.



'LGM' LEVEL GAUGE MANIFOLD

Innovative solution for quick & clean replacement of broken Level Gauges

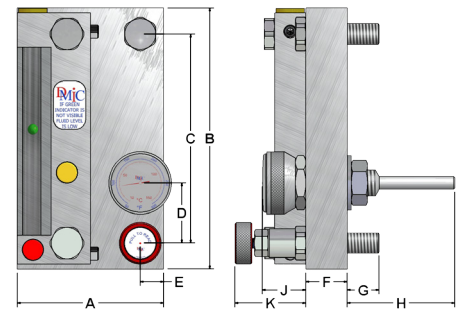


DMIC 'LGM' is a manifold with positive shutoff valve(s). Mounts to reservoir, allowing Level Gauge to be replaced, with minimal fluid leakage. Top shutoff valve (optional) stops leakage if the reservoir fluid level is above the top level gauge bolt.

- Made from 6061-T6 Aluminum and clear Anodized
- Shown with optional thermometer & well, factory option on the 'LGM'. Use separately for remote thermometer mounting

Dimension Views/Ordering Codes

LGM	Dimensions (inches)									
	A Body Width	B Body Height	C Mounting Centers	D Mounting to Thermometer Center	E Side to Mounting Centers	F Body Width	G Thread Depth	H Themo Depth	J Face to Thermo Face	K Face to Shutoff
LGM-5000	3.50	6.25	5.00	1.44	0.56	0.99	0.76	2.57	1.04	1.69
LGM-A000	3.50	11.50	10.00	1.44	0.56	0.99	0.76	2.57	1.04	1.69



Nominal Size Code	
Code	Description
3000	3" Bolt Cntr
5000	5" Bolt Cntr
A000	10" Bolt Cntr

Body Material	
Code	Description
4	Aluminum

Sealing	
Code	Description
1	Buna-N
2	EPR
3	Viton
4	Teflon

"C" Thread (see specs)	
Code	Description
1	½"-13 UNC
2	½"-20 UNC
3	M12 Metric

Manifold Mounting Bolts	
Code	Description
1	½"-13 UNC
2	½"-20 UNC
3	M12 Metric

Shutoff Option	
Code	Description
A	Stabdard(bottom)
B	Top & Bottom

Level Gauge included	
Code	Description
Z	None
D	DMIC 'LGD'
A	DMIC 'LGA'

Thermometer Option	
Code	Description
Z	No Thermometer
A	Provision
B	1-3/8" Themometer

LGM - 5000 - 4 1 1 1 A Z Z

Due to our policy of continual product improvement, the specifications in this catalog may change without notice. When designing by spec, please request a certified print.

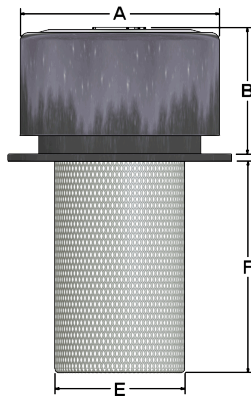


'FB' FILLER BREATHERS

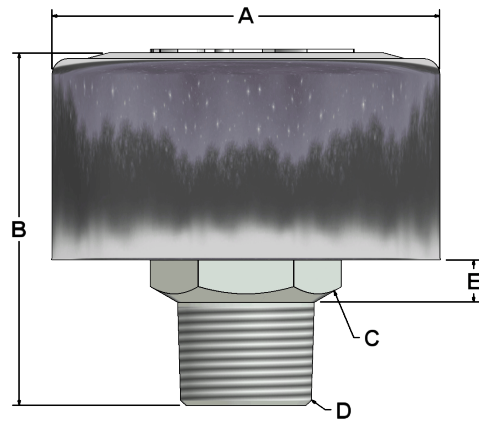
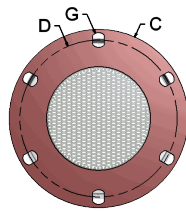
Chrome Plated 6-Bolt Bayonet & NPT Screw-On



- Chrome plated steel cap, with hidden vents for outdoor installation
- 40 Micron Air Filtration at air flows to 27 CFM
- Deep grooves in cap help provide positive grip
- Stainless steel basket standard to resist deliberate bypassing
- Ready for installation: hardware kit included



FBB



FBS

'FB'	Air Flow	Basket Length (in)	Dimensions (inches)						
			A Top Cap Diameter Ø	B TOP CAP TO TOP OF MOUNTING FLANGE	C MOUNTING FLANGE DIAMETER	D BOLT CIRCLE Ø	E FILTER DIAMETER Ø	F Filter Depth	G Clearance Hole
'FBB' - Bayonet Filler Breather Series									
FBB-080-40	27	3.2	3.15	1.88	3.25	2.88	1.90	3.20	0.22
FBB-150-40		5.9						5.90	
FBB-203-40		8.0						8.00	
'FBS' - NPT Screw-On Filler Breather Cap									
	Air Flow	Thread Size	A Top Cap Diameter Ø	B Overall Length	C Hex Size	D Thread	E Clearance Room		
FBS-0750-40	25	¾" NPT	3.15	2.80	1.18	¾" NPT	0.50	--	--

Due to our policy of continual product improvement, the specifications in this catalog may change without notice. When designing by spec, please request a certified print.



'PFU' PORTABLE FILTRATION

**Effective & Economical off-line fluid conditioning; 2, 4, & 8 GPM;
1-,2-,&3-Pass; Water Removal & $\beta=200$**



DMIC's 'PFU' Portable Filtration Units are manufactured in North America using premium components to assure the buyer of quality synonymous with "Made in USA".

- Redesigned to be more efficient and economical
- Size your unit from 2, 4, or 8 GPM standard pump capacities.
- Choose from 1-, 2-, or 3-Pass models
- Select standard, double, or quad-filter configuration for dirt retention.

Dimension Views/Ordering Codes

Ordering Code	Rated Flow	# of passes	Total # of Elements	For # of passes, Element in Each position					
				Element #1		Element #2		Element #3	
				Model	μm	Model	μm	Model	μm
PFU-2-1A	2 GPM	1	1	DMS11AN	10				
PFU-2-1B1A		2	2	DMS11BN	25	DMS11AN	10		
PFU-2-1B1D		2WD	2	DMS11BN	25	DMS11DN	10		
PFU-2-1B1A1C		3	3	DMS11BN	25	DMS11AN	10	DMS11CN	3
PFU-2-1B1A1E		3WD	3	DMS11BN	25	DMS11AN	10	DMS11EN	3
PFU-2-1C1E1P		3W β	3	DMS11CN	3	DMS11EN	3	DMS11PN	3
PFU-4-1A	4 GPM	1	1	DMS16AN	10				
PFU-4-1B1A		2	2	DMS16BN	25	DMS16AN	10		
PFU-4-1B1D		2WD	2	DMS16BN	25	DMS16DN	10		
PFU-4-1B1A1C		3	3	DMS16BN	25	DMS16AN	10	DMS16CN	3
PFU-4-1B1A1E		3WD	3	DMS16BN	25	DMS16AN	10	DMS16EN	3
PFU-4-1C1E1P		3W β	3	DMS16CN	3	DMS16EN	3	D75008PN	3
PFU-8-2A	8 GPM	1	2	DMS16AN	10				
PFU-8-2B2A		2	4	DMS16BN	25	DMS16AN	10		
PFU-8-2B2D		2WD	4	DMS16BN	25	DMS16DN	10		
PFU-8-2B2A2C		3	6	DMS16BN	25	DMS16AN	10	DMS16CN	3
PFU-8-2B2A2E		3WD	6	DMS16BN	25	DMS16AN	10	DMS16EN	3
PFU-8-2C2E2P		3W β	6	DMS16CN	3	DMS16EN	3	D75008PN	3

PFU - 8 - 2B 2A 2C

Flow Capacity	
Code	Description
2	2 GPM
4	4 GPM
8	8 GPM

Elements	
Code	Description
A	10 μm Nominal
B	25 μm Nominal
C	3 μm Nominal
D	10 μm Water/Dirt
E	3 μm Water/Dirt
P	3 μm , $\beta_3 = 200$
N	6 μm , $\beta_6 = 200$
S	12 μm , $\beta_{12} = 200$
T	25 μm , $\beta_{25} = 200$

Each 2-letter code specifies one pass. Up to 3 passes can be ordered. Above unit would have 8 GPM, 3-pass with 2x3 μm , 2x10 μm , 2x3 μm 'DMS' Nominal elements

Due to our policy of continual product improvement, the specifications in this catalog may change without notice. When designing by spec, please request a certified print.

