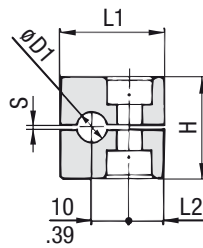
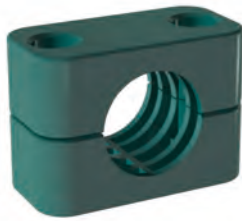
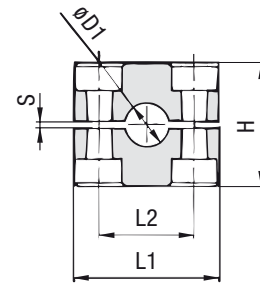


Clamp Body - Profiled Design

Profiled Inside Surface with Tension Clearance



STAUFF Group 1



STAUFF Group 1A to 8

Order Codes

Clamp Body

Clamp Body, STAUFF Group 1A

*1*06*PP

*1*06A*PP

One clamp body is consisting of two clamp halves.

* STAUFF Group

1

* Exact outside diameter Ø D1 (mm)

06

* Material code (see below)

PP

Standard Materials



Polypropylene

Colour: Green
Material code: **PP**



Polyamide

Colour: Black
Material code: **PA**



Thermoplastic Elastomer (87 Shore-A)

Colour: Black
Material code: **SA**



Aluminium

Colour: Self-Colour
Material code: **AL**

See page A86 for material properties and technical information.

Special Materials

Please consult STAUFF for further details on fire-proof and corrosion preventing clamp body materials, tested and approved according to several international fire-protection standards.

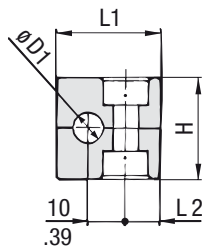
See page A87 for material properties and technical information.

Product Features

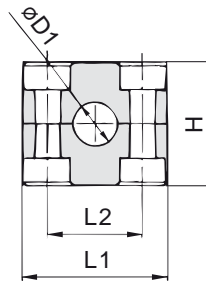
- Proven, tested and trusted product in various markets
- Recommended for the safe installation of rigid pipes and tubes
- Available for all commonly used pipe and tube outside diameters
- Environmental protection due to vibration/noise reducing design
- Excellent weathering resistance, even under extreme conditions

Group	STAUFF	DIN	Outside Diameter		Nominal Bore		Order Codes (2 Clamp Halves) (* = Material)	Dimensions (mm/in)				
			Pipe / Tube Ø D1 (mm)	(in)	Pipe (in)	Copper Tube (in)		L1	L2	H	S min.	Width
1		0	6				106 **	28	9,5	27	0,4	30
			6,4	1/4			106,4 **					
			8	5/16			108 **					
			9,5	3/8		1/4	109,5 **					
			10		1/8		110 **					
1A		1	6				106A **	37	20	27	0,4	30
			6,4	1/4			106,4A **					
			8	5/16			108A **					
			9,5	3/8		1/4	109,5A **					
			10		1/8		110A **					
2		2	12				112 **	42	26	33	0,6	30
			12,7	1/2		3/8	212,7 **					
			13,5		1/4		213,5 **					
			14				214 **					
			15				215 **					
3		3	16	5/8		1/2	216 **	1,65	1,02	1,30	0,02	1,18
			17,2		3/8		217,2 **					
			18				218 **					
			19	3/4			319 **					
			20				320 **					
4		4	21,3		1/2		321,3 **	50	33	36	0,6	30
			22			3/4	322 **					
			25				325 **					
			25,4	1			325,4 **					
			26,9		3/4		426,9 **					
5		5	28				428 **	59	40	42	0,6	30
			28,6			1	428,6 **					
			30				430 **					
			32				432 **					
			32	1-1/4			532 **					
6		6	33,7		1		533,7 **	71	52	58	0,8	30
			35			1-1/4	535 **					
			38	1-1/2			538 **					
			40				540 **					
			41,3			1-1/2	541,3 **					
7		7	42		1-1/4		542 **	2,80	2,05	2,28	0,03	1,18
			44,5	1-3/4			644,5 **					
			48,3		1-1/2		648,3 **					
			50,8	2			650,8 **					
			54			2	654 **					
8		8	57,2	2-1/4			757,2 **	121	94	93	0,8	30
			60,3		2		760,3 **					
			63,5	2-1/2			763,5 **					
			70	2-3/4			770 **					
			73		2-1/2 (ANSI B 36-10)		773 **					
8		8	76,1	3	2-1/2 (DIN EN 10220)		776,1 **	4,76	3,70	3,66	0,03	1,18
			88,9		3		888,9 **					
			102	4	3-1/2		8102L **	5,79	4,72	4,65	0,03	1,18

Additional outside diameters are available upon request. Please consult STAUFF for further information.



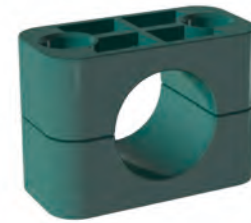
STAUFF Group 1



STAUFF Group 1A to 8

Clamp Body - Type H

Smooth Inside Surface without Tension Clearance



Group	STAUFF	DIN	Outside Diameter		Nominal Bore Hydraulic Hose SAE 100 R2 AT (in)	Order Codes (2 Clamp Halves) (*** = Material)	Dimensions (mm/in)			
			Ø D1 (mm)	(in)			L1	L2	H	Width
1	0	6				106 ***				
		6,4	1/4			106,4 ***				
		8	5/16			108 ***	28	9,5	26	30
		9,5	3/8			109,5 ***	1.10	.37	1.02	1.18
		10				110 ***				
1A	1	12				112 ***				
		6				106A ***				
		6,4	1/4			106,4A ***				
		8	5/16			108A ***	37	20	27	30
		9,5	3/8			109,5A ***	1.46	.79	1.06	1.18
2	2	10				110A ***				
		12				112A ***				
		12,7	1/2			212,7 ***				
		13,5				213,5 ***				
		14				214 ***	42	26	32	30
		15				215 ***	1.65	1.02	1.26	1.18
		16	5/8			216 ***				
3	3	17,2				217,2 ***				
		18				218 ***				
		13,4		1/4		313,4 ***				
		17,4		3/8		317,4 ***				
		19	3/4			319 ***				
		20				320 ***				
		20,5		1/2		320,5 ***	50	33	35,5	30
		21,3				321,3 ***	1.97	1.30	1.40	1.18
4	4	22				322 ***				
		23,9		5/8		323,9 ***				
		25				325 ***				
		25,4	1			325,4 ***				
		26,9				426,9 ***				
		28				428 ***	59	40	41,5	30
5	5	30				430 ***	2.32	1.57	1.63	1.18
		32				432 ***				
		27,8		3/4		527,8 ***				
		32	1-1/4			532 ***				
		33,7				533,7 ***				
		35				535 ***				
		35,7		1		535,7 ***	71	52	56,5	30
		38	1-1/2			538 ***	2.80	2.05	2.22	1.18
		40				540 ***				
		42				542 ***				
6	6	43,8		1-1/4		543,8 ***				
		44,5	1-3/4			644,5 ***				
		48,3				648,3 ***				
		49,8		1-1/2		649,8 ***	86	66	64,5	30
		50,8	2			650,8 ***	3.39	2.60	2.54	1.18
7	7	54				654 ***				
		57,2	2-1/4			757,2 ***				
		60,3				760,3 ***				
		63,5	2-1/2			763,5 ***	121	94	92	30
		70	2-3/4			770 ***	4.76	3.70	3.62	1.18
8	8	73				773 ***				
		76,1	3			776,1 ***				
		88,9				888,9 ***	147	1	116	30
		4			8102L ***	5.79	4.72	4.57	1.18	

Order Codes
Clamp Body *1*06*PPH
Clamp Body, STAUFF Group 1A *1*06A*PPH

One clamp body is consisting of two clamp halves.

- * STAUFF Group **1**
- * Exact outside diameter Ø D1 (mm) **06**
- * Material code (see below) **PPH**

Standard Materials

- Polypropylene**
Colour: Green
Material code: **PPH**
- Polyamide**
Colour: Black
Material code: **PAH**
- Thermoplastic Elastomer (87 Shore-A)**
Colour: Black
Material code: **SAH**

See page A86 for material properties and technical information.

Special Materials

Please consult STAUFF for further details on fire-proof and corrosion preventing clamp body materials, tested and approved according to several international fire-protection standards.

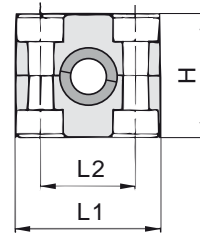
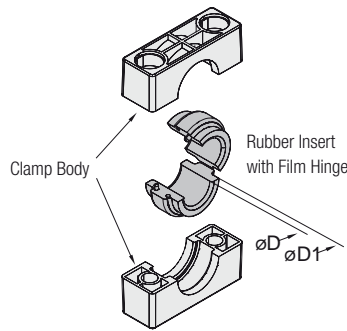
See page A87 for material properties and technical information.

Product Features

- Proven, tested and trusted product in various markets
- Recommended for the safe installation of hoses and cables
- Chamfered edges avoid damaging of the hoses and cables
- Available for all commonly used hose and cable outside diameters
- Excellent weathering resistance, even under extreme conditions

Additional outside diameters are available upon request. Please consult STAUFF for further information.

Clamp Body with Rubber Insert Type RI



Order Codes

Clamp Assembly

***4*06*PPR**

One assembly is consisting of one clamp body and one insert.

- * STAUFF Group **4**
- * Exact outside diameter $\varnothing D$ (mm) **06**
- * Material code (see below) **PPR**

Clamp Body

***4*PPR**

One clamp body is consisting of two clamp halves.

- * STAUFF Group **4**
- * Material code (see below) **PPR**

Rubber Insert

***RI*06*(4+4S)**

- * Rubber Insert **RI**
- * Exact outside diameter $\varnothing D$ (mm) **06**
- * STAUFF Group **4 (Standard) and 4S (Heavy) (4+4S)**
- 6 (Standard) and 5S (Heavy) (6+5S)**

Standard Materials



Polypropylene
Colour: Black
Material code: **PPR**



Polyamide
Colour: Black
Material code: **PAR**



Rubber Insert
Thermoplastic Elastomer (73 Shore-A)
Colour: Black

See page A86 for material properties and technical information.

Special Materials

Please consult STAUFF for further details on fire-proof and corrosion preventing clamp body materials, tested and approved according to several international fire-protection standards.

See page A87 for material properties and technical information.

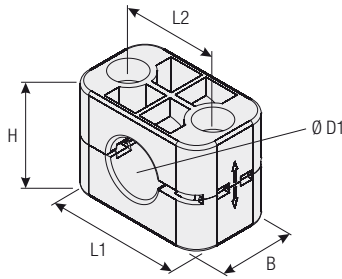
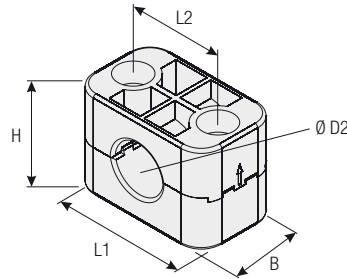
Product Features

- Proven, tested and trusted product in various markets
- Either for the extra vibration/noise reducing installation of pipes and tubes or the extra gentle installation of hoses and cables
- Available for all commonly used outside diameters
- Excellent weathering resistance, even under extreme conditions

Group	STAUFF	DIN	Outside Diameter		Order Codes (**R = Clamp Body Material)			Dimensions				
			Pipe / Tube / Hose	$\varnothing D$	Clamp Assembly	Clamp Body	Rubber Insert *	(mm/in)				
			(mm)	(in)	(Clamp Body + Rubber Insert)	(2 Clamp Halves)		$\varnothing D1$	L1	L2	H	Width
4	4	4	6		406 **R	4 **R	RI 06 (4+4S)	25	59	40	41,2	30
			8	5/16	408 **R		RI 08 (4+4S)					
			10		410 **R		RI 10 (4+4S)					
			12		412 **R		RI 12 (4+4S)					
			12,7	1/2	412,7 **R		RI 12,7 (4+4S)					
			14		414 **R		RI 14 (4+4S)					
			15		415 **R		RI 15 (4+4S)					
			16	5/8	416 **R		RI 16 (4+4S)					
			17,2		417,2 **R		RI 17,2 (4+4S)					
			18		418 **R		RI 18 (4+4S)					
			19	3/4	419 **R		RI 19 (4+4S)					
6	6	6	20		620 **R	6 **R	RI 20 (6+5S)	38	86	66	64,5	30
			21,3		621,3 **R		RI 21,3 (6+5S)					
			22	7/8	622 **R		RI 22 (6+5S)					
			25		625 **R		RI 25 (6+5S)					
			26,9		626,9 **R		RI 26,9 (6+5S)					
			28		628 **R		RI 28 (6+5S)					
			30		630 **R		RI 30 (6+5S)					
			32	1-1/4	632 **R		RI 32 (6+5S)					

* Rubber Inserts for Standard Series clamp bodies, STAUFF Group 4 also fit into Heavy Series clamp bodies, STAUFF Group 4S. Rubber Inserts for Standard Series clamp bodies, STAUFF Group 6 also fit into Heavy Series clamp bodies, STAUFF Group 5S.

Additional outside diameters are available upon request. Please consult STAUFF for further information.


For Use with Regular Hose

For Use with Compact Hose
(Upper Clamp Half rotated by 180°)

Group	STAUFF	DIN	Outside Diameter Regular Hose		Outside Diameter Compact Hose		Order Codes (2 Clamp Halves) (*** = Material)	Dimensions (mm/in)				
			Ø D1 (mm)	(in)	Ø D2 (mm)	(in)		L1	L2	H		
3	3	19	.75	17,4	.69	319 ***-CC	50 1.97	33 1.30	35,5 1.40	34 1.34	30 1.18	
		22,2	.87	20,6	.81	322,2 ***-CC						
		25,4	1.00	23,7	.93	325,4 ***-CC						

Additional outside diameters are available upon request. Please consult STAUFF for further information.

Product Features

- Only one clamp body required for two different hose diameters (compact hose + regular hose)
- Rotate upper clamp half by 180° and use clamp body to fasten compact hoses instead of regular hoses
- Available for three different combination of outside hose diameters
- Outer dimensions according to DIN 3015, Part 1
- Effective cost reduction due to lower inventories

Special Materials

Please consult STAUFF for further details on fire-proof and corrosion preventing clamp body materials, tested and approved according to several international fire-protection standards.

See page A87 for material properties and technical information.

Order Codes

Clamp Body ***3*19*PPH-CC**

One clamp body is consisting of two clamp halves.

- * STAUFF Group **3**
- * Outside diameter Ø D1 (mm) of regular hose **19**
- * Material code (see below) **PPH-CC**

Standard Materials

Polypropylene
Colour: Black
Material code: **PPH-CC**

Polyamide
Colour: Black
Material code: **PAH-CC**

See page A86 for properties and technical information.

Clamp Body ▪ Rectangular Design Type VK



Order Codes

One clamp body is consisting of two clamp halves.

Clamp Body **540-40 PP-VK**
Rectangular design with a square of 40 mm x 40 mm / 1.57 in x 1.57 in

Clamp Body **540-36 PP-VK**
Rectangular design with a square of 40 mm x 36 mm / 1.57 in x 1.42 in

Please replace PP by PA to order a clamp body made of Polyamide instead of Polypropylene.

Product Features

- Outer dimensions of clamp body according to Standard Series, STAUFF Group 5
- For proximity switches according to DIN EN 60947-5-2 or similar, rectangular construction, with a square of 40 mm x 40 mm / 1.57 in x 1.57 in or 40 mm x 36 mm / 1.57 in x 1.42 in
- For proximity switches according to DIN EN 60947-5-2 or similar, round construction, please use Standard Series clamp body, STAUFF Group 4, with the diameter required (e.g. 430 PP)
- Use with Hexagon Rail Nut SM and Mounting Rail TS to provide axial and horizontal position adjustment when loosening the bolts

Clamp Body ▪ Oval Design



Order Codes

One clamp body is consisting of two clamp halves.

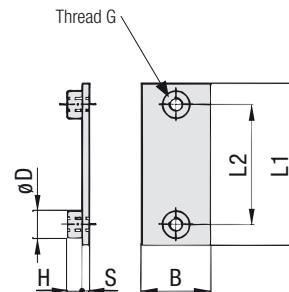
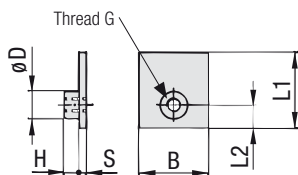
Clamp Body **620-50 PP**
Oval design with a diameter between 20 mm / .79 in and 50 mm / 1.97 in

Please replace PP by PA to order a clamp body made of Polyamide instead of Polypropylene.

Product Features

- Outer dimensions of clamp body according to Standard Series, STAUFF Group 6
- For electric cables with diameters between 20 mm / .79 in and 50 mm / 1.97 in
- For electric cables with diameters between 40 mm / 1.57 in and 72 mm / 2.83 in, please use Heavy Series clamp body, types 6040-72 PP and 6040-72 PA
- Recommended to use with Hexagon Head Bolts AS and Cover Plate DP, Socket Cap Screw IS (with washer) or Slotted Head Screw LI (with washer)
- For varying cable diameters, only the bolt lengths need to be varied

Single Weld Plate Type SP



STAUFF Group 1

STAUFF Group 1A to 8

Order Codes

Weld Plate

***SP*1*M*W2**

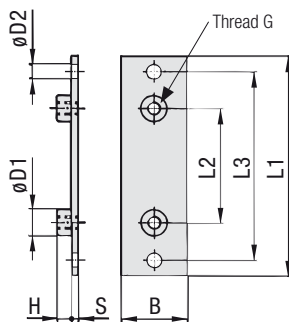
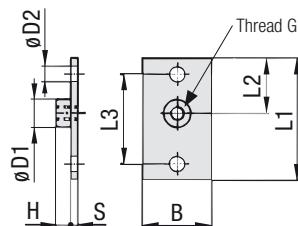
- * Single Weld Plate **SP**
- * STAUFF Group **1**
- * Thread code Metric ISO thread **M**
 Unified coarse (UNC) thread **U**
- * Material code Carbon Steel, untreated **W1**
 Carbon Steel, phosphated **W2**
 Carbon Steel, zinc/nickel-plated **W3**

 Stainless Steel V2A **W4**
 1.4301 / 1.4305 (AISI 304 / 303)
 Stainless Steel V4A **W5**
 1.4401 / 1.4571 (AISI 316 / 316 Ti)

Group	STAUFF	DIN	Dimensions (mm/m)						ØD	Order Codes (Standard Options)
			Thread G	L1	L2	B	S	H		
1	0		M6	31,5	10	30	3	6,5	12	SP 1 M W2
			1/4-20 UNC	1.24	0.39	1.18	.12	.26	.47	SP 1 U W2
1A	1		M6	36	20	30	3	6,5	12	SP 1A M W2
			1/4-20 UNC	1.42	0.79	1.18	.12	.26	.47	SP 1A U W2
2	2		M6	42	26	30	3	6,5	12	SP 2 M W2
			1/4-20 UNC	1.65	1.02	1.18	.12	.26	.47	SP 2 U W2
3	3		M6	50	33	30	3	6,5	12	SP 3 M W2
			1/4-20 UNC	1.97	1.30	1.18	.12	.26	.47	SP 3 U W2
4	4		M6	60	40	30	3	6,5	12	SP 4 M W2
			1/4-20 UNC	2.36	1.57	1.18	.12	.26	.47	SP 4 U W2
5	5		M6	71	52	30	3	6,5	12	SP 5 M W2
			1/4-20 UNC	2.80	2.05	1.18	.12	.26	.47	SP 5 U W2
6	6		M6	88	66	30	3	6,5	12	SP 6 M W2
			1/4-20 UNC	3.46	2.60	1.18	.12	.26	.47	SP 6 U W2
7	7		M6	122	94	30	5	6,5	12	SP 7 M W2
			1/4-20 UNC	4.80	3.70	1.18	.20	.26	.47	SP 7 U W2
8	8		M6	148	120	30	5	6,5	12	SP 8 M W2
			1/4-20 UNC	5.83	4.72	1.18	.20	.26	.47	SP 8 U W2

All threaded parts are available with Metric ISO thread or unified coarse (UNC) thread according to dimension table. Alternative materials and surface finishings are available upon request. Consult STAUFF for further information.

Elongated Weld Plate Type SPV



STAUFF Group 1

STAUFF Group 1A to 8

Order Codes

Weld Plate

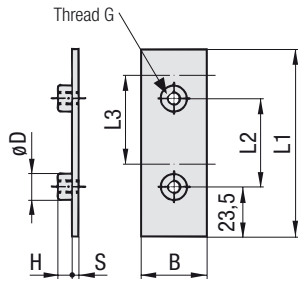
***SPV*1*M*W2**

- * Elongated Weld Plate **SPV**
- * STAUFF Group **1**
- * Thread code Metric ISO thread **M**
 Unified coarse (UNC) thread **U**
- * Material code Carbon Steel, untreated **W1**
 Carbon Steel, phosphated **W2**
 Carbon Steel, zinc/nickel-plated **W3**

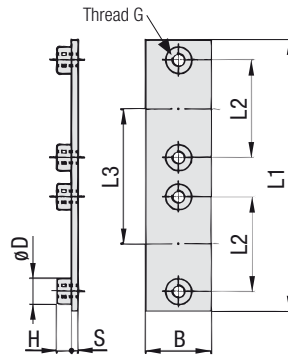
 Stainless Steel V2A **W4**
 1.4301 / 1.4305 (AISI 304 / 303)
 Stainless Steel V4A **W5**
 1.4401 / 1.4571 (AISI 316 / 316 Ti)

Group	STAUFF	DIN	Dimensions (mm/m)						ØD1	ØD2	Order Codes (Standard Options)	
			Thread G	L1	L2	L3	B	S				H
1	0		M6	58	24,5	44	30	3	6,5	12	6,5	SPV 1 M W2
			1/4-20 UNC	2.28	.96	1.73	1.18	.12	.26	.47	.26	SPV 1 U W2
1A	1		M6	64	20	50	30	3	6,5	12	6,5	SPV 1A M W2
			1/4-20 UNC	2.52	.79	1.97	1.18	.12	.26	.47	.26	SPV 1A U W2
2	2		M6	70	26	56	30	3	6,5	12	6,5	SPV 2 M W2
			1/4-20 UNC	2.76	1.02	2.20	1.18	.12	.26	.47	.26	SPV 2 U W2
3	3		M6	78	33	64	30	3	6,5	12	6,5	SPV 3 M W2
			1/4-20 UNC	3.07	1.30	2.52	1.18	.12	.26	.47	.26	SPV 3 U W2
4	4		M6	87	40	73	30	3	6,5	12	6,5	SPV 4 M W2
			1/4-20 UNC	3.43	1.57	2.87	1.18	.12	.26	.47	.26	SPV 4 U W2
5	5		M6	100	52	86	30	3	6,5	12	6,5	SPV 5 M W2
			1/4-20 UNC	3.94	2.05	3.39	1.18	.12	.26	.47	.26	SPV 5 U W2
6	6		M6	115	66	100	30	3	6,5	12	6,5	SPV 6 M W2
			1/4-20 UNC	4.53	2.60	3.94	1.18	.12	.26	.47	.26	SPV 6 U W2
7	7		M6	150	94	136	30	5	6,5	12	6,5	SPV 7 M W2
			1/4-20 UNC	5.91	3.70	5.35	1.18	.20	.26	.47	.26	SPV 7 U W2
8	8		M6	178	120	162	30	5	6,5	12	6,5	SPV 8 M W2
			1/4-20 UNC	7.01	4.72	6.38	1.18	.20	.26	.47	.26	SPV 8 U W2

All threaded parts are available with Metric ISO thread or unified coarse (UNC) thread according to dimension table. Alternative materials and surface finishings are available upon request. Consult STAUFF for further information.



STAUFF Group 1

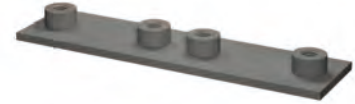


STAUFF Group 1A to 8

Group STAUFF	DIN	Dimensions (mm/in)								Order Codes (Standard Options)
		Thread G	L1	L2	L3	B	S	H	ØD	
1	0	M6	87	40	40	30	3	6.5	12	DSP 1/40 M W2
		1/4-20 UNC	3.43	1.57	1.57	1.18	.12	.26	.47	DSP 1/40 U W2
1A	1	M6	77	20	37	30	3	6.5	12	DSP 1A/37 M W2
		1/4-20 UNC	3.03	.79	1.46	1.18	.12	.26	.47	DSP 1A/37 U W2
2	2	M6	86	26	44	30	3	6.5	12	DSP 2/44 M W2
		1/4-20 UNC	3.39	1.02	1.73	1.18	.12	.26	.47	DSP 2/44 U W2
3	3	M6	102	33	52	30	3	6.5	12	DSP 3/52 M W2
		1/4-20 UNC	4.02	1.30	2.05	1.18	.12	.26	.47	DSP 3/52 U W2
4	4	M6	120	40	60	30	3	6.5	12	DSP 4/60 M W2
		1/4-20 UNC	4.72	1.57	2.36	1.18	.12	.26	.47	DSP 4/60 U W2
5	5	M6	145	52	75	30	3	6.5	12	DSP 5/75 M W2
		1/4-20 UNC	5.71	2.05	2.95	1.18	.12	.26	.47	DSP 5/75 U W2
6	6	M6	178	66	90	30	3	6.5	12	DSP 6/90 M W2
		1/4-20 UNC	7.01	2.60	3.54	1.18	.12	.26	.47	DSP 6/90 U W2

All threaded parts are available with Metric ISO thread or unified coarse (UNC) thread according to dimension table. Alternative materials and surface finishings are available upon request. Consult STAUFF for further information.

Twin Weld Plate Type DSP

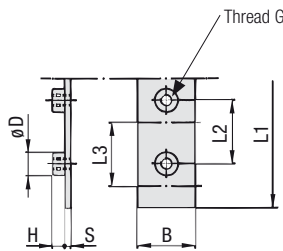


Order Codes

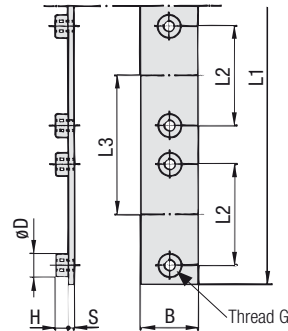
Weld Plate

***DSP*1/40*M*W2**

* Twin Weld Plate		DSP
* STAUFF Group		1
* Pipe center spacing L3 (mm)		40
* Thread code	Metric ISO thread	M
	Unified coarse (UNC) thread	U
* Material code	Carbon Steel, untreated	W1
	Carbon Steel, phosphated	W2
	Carbon Steel, zinc/nickel-plated	W3
	Stainless Steel V2A	W4
	1.4301 / 1.4305 (AISI 304 / 303)	
	Stainless Steel V4A	W5
	1.4401 / 1.4571 (AISI 316 / 316 Ti)	



STAUFF Group 1



STAUFF Group 1A to 8

Group STAUFF	DIN	Dimensions (mm/in)								Order Codes (Standard Options)
		Thread G	L1	L2	L3	B	S	H	ØD	
1	0	M6	314	31	31	30	4	6.5	12	RAP 1/31/10 M W1
		1/4-20 UNC	12.36	1.22	1.22	1.18	.16	.26	.47	RAP 1/31/10 U W1
1A	1	M6	373	20	37	30	4	6.5	12	RAP 1A/37/10 M W1
		1/4-20 UNC	14.69	.79	1.46	1.18	.16	.26	.47	RAP 1A/37/10 U W1
2	2	M6	442	26	44	30	4	6.5	12	RAP 2/44/10 M W1
		1/4-20 UNC	17.40	1.02	1.73	1.18	.16	.26	.47	RAP 2/44/10 U W1
3	3	M6	521	33	52	30	4	6.5	12	RAP 3/52/10 M W1
		1/4-20 UNC	20.51	1.30	2.05	1.18	.16	.26	.47	RAP 3/52/10 U W1
4	4	M6	300	40	60	30	4	6.5	12	RAP 4/60/5 M W1
		1/4-20 UNC	11.81	1.57	2.36	1.18	.16	.26	.47	RAP 4/60/5 U W1
5	5	M6	378	52	75	30	4	6.5	12	RAP 5/75/5 M W1
		1/4-20 UNC	14.88	2.05	2.95	1.18	.16	.26	.47	RAP 5/75/5 U W1
6	6	M6	450	66	90	30	4	6.5	12	RAP 6/90/5 M W1
		1/4-20 UNC	17.72	2.60	3.54	1.18	.16	.26	.47	RAP 6/90/5 U W1

All threaded parts are available with Metric ISO thread or unified coarse (UNC) thread according to dimension table. Alternative materials and surface finishings are available upon request. Consult STAUFF for further information.

Group Weld Plate Type RAP



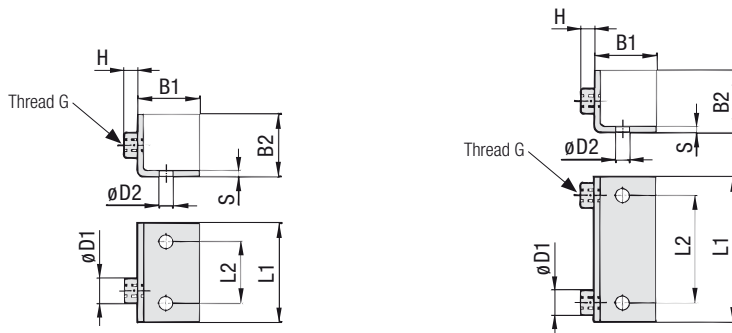
Order Codes

Weld Plate

***RAP*1/31/10*M*W1**

* Group Weld Plate		RAP
* STAUFF Group		1
* Pipe center spacing L3 (mm)		31
* Number of clamps		10
* Thread code	Metric ISO thread	M
	Unified coarse (UNC) thread	U
* Material code	Carbon Steel, untreated	W1
	Carbon Steel, phosphated	W2
	Carbon Steel, zinc/nickel-plated	W3
	Stainless Steel V2A	W4
	1.4301 / 1.4305 (AISI 304 / 303)	
	Stainless Steel V4A	W5
	1.4401 / 1.4571 (AISI 316 / 316 Ti)	

**Angled Weld Plate
Type WSP**



STAUFF Group 1

STAUFF Group 1A to 8

Order Codes

Weld Plate

***WSP*1*M*W1**

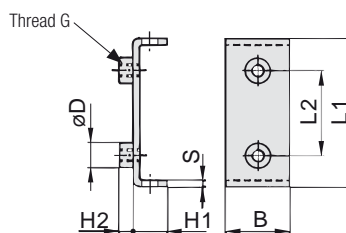
- * Angled Weld Plate **WSP**
- * STAUFF Group **1**
- * Thread code Metric ISO thread **M**
 Unified coarse (UNC) thread **U**
- * Material code Carbon Steel, untreated **W1**
 Carbon Steel, zinc/nickel-plated **W3**

 Stainless Steel V2A **W4**
 1.4301 / 1.4305 (AISI 304 / 303) **W4**
 Stainless Steel V4A **W5**
 1.4401 / 1.4571 (AISI 316 / 316 Ti) **W5**

Group STAUFF	DIN	Dimensions (mm/m)								Order Codes (Standard Options)	
		Thread G	L1	L2	B1	B2	S	H	ØD1		ØD2
1	0	M6	30	14	30	30	3	6,5	12	6,5	WSP 1 M W1
		1/4-20 UNC	1.18	.55	1.18	1.18	.12	.26	.47	.26	WSP 1 U W1
1A	1	M6	32	20	30	30	3	6,5	12	6,5	WSP 1A M W1
		1/4-20 UNC	1.26	.79	1.18	1.18	.12	.26	.47	.26	WSP 1A U W1
2	2	M6	42	26	30	30	3	6,5	12	6,5	WSP 2 M W1
		1/4-20 UNC	1.65	1.02	1.18	1.18	.12	.26	.47	.26	WSP 2 U W1
3	3	M6	50	33	30	30	3	6,5	12	6,5	WSP 3 M W1
		1/4-20 UNC	1.97	1.30	1.18	1.18	.12	.26	.47	.26	WSP 3 U W1
4	4	M6	60	40	30	30	3	6,5	12	6,5	WSP 4 M W1
		1/4-20 UNC	2.36	1.57	1.18	1.18	.12	.26	.47	.26	WSP 4 U W1
5	5	M6	70	52	30	30	3	6,5	12	6,5	WSP 5 M W1
		1/4-20 UNC	2.76	2.05	1.18	1.18	.12	.26	.47	.26	WSP 5 U W1
6	6	M6	88	66	30	30	3	6,5	12	6,5	WSP 6 M W1
		1/4-20 UNC	3.46	2.60	1.18	1.18	.12	.26	.47	.26	WSP 6 U W1

All threaded parts are available with Metric ISO thread or unified coarse (UNC) thread according to dimension table. Alternative materials and surface finishings are available upon request. Consult STAUFF for further information.

**Bridge Weld Plate
Type BSP**



Order Codes

Weld Plate

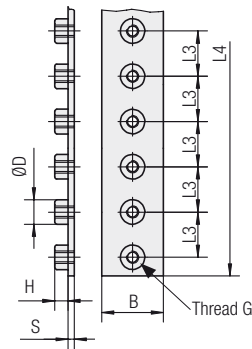
***BSP*1A*M*W1**

- * Bridge Weld Plate **BSP**
- * STAUFF Group **1A**
- * Thread code Metric ISO thread **M**
 Unified coarse (UNC) thread **U**
- * Material code Carbon Steel, untreated **W1**
 Carbon Steel, zinc/nickel-plated **W3**

 Stainless Steel V2A **W4**
 1.4301 / 1.4305 (AISI 304 / 303) **W4**
 Stainless Steel V4A **W5**
 1.4401 / 1.4571 (AISI 316 / 316 Ti) **W5**

Group STAUFF	DIN	Dimensions (mm/m)								Order Codes (Standard Options)
		Thread G	L1	L2	B	S	H1	H2	ØD	
1A	1	M6	48	20	30	3	13	6,5	12	BSP 1A M W1
		1/4-20 UNC	1.89	.79	1.18	1.18	.12	.52	.26	.47
2	2	M6	54	26	30	3	13	6,5	12	BSP 2 M W1
		1/4-20 UNC	2.13	1.02	1.18	1.18	.12	.52	.26	.47
3	3	M6	62	33	30	3	13	6,5	12	BSP 3 M W1
		1/4-20 UNC	2.44	1.30	1.18	1.18	.12	.52	.26	.47
4	4	M6	71	40	30	3	13	6,5	12	BSP 4 M W1
		1/4-20 UNC	2.80	1.57	1.18	1.18	.12	.52	.26	.47
5	5	M6	85	52	30	3	13	6,5	12	BSP 5 M W1
		1/4-20 UNC	3.35	2.05	1.18	1.18	.12	.52	.26	.47
6	6	M6	98	66	30	3	13	6,5	12	BSP 6 M W1
		1/4-20 UNC	3.86	2.60	1.18	1.18	.12	.52	.26	.47

All threaded parts are available with Metric ISO thread or unified coarse (UNC) thread according to dimension table. Alternative materials and surface finishings are available upon request. Consult STAUFF for further information.



Number of Weld Nuts	Dimensions (mm/in)							Order Codes (Standard Options)
	Thread G	L3	L4	B	S	H	ØD	
6	M6	26	156	30	4	6,5	12	RAP-MGR 25/156 M W1
	1/4-20 UNC	1.02	6.14	1.18	.16	0.26	0.47	RAP-MGR 25/156 U W1
9	M6	26	234	30	4	6,5	12	RAP-MGR 25/234 M W1
	1/4-20 UNC	1.02	9.21	1.18	.16	0.26	0.47	RAP-MGR 25/234 U W1
12	M6	26	312	30	4	6,5	12	RAP-MGR 25/312 M W1
	1/4-20 UNC	1.02	12.28	1.18	.16	0.26	0.47	RAP-MGR 25/312 U W1
15	M6	26	390	30	4	6,5	12	RAP-MGR 25/390 M W1
	1/4-20 UNC	1.02	15.35	1.18	.16	0.26	0.47	RAP-MGR 25/390 U W1
20	M6	26	520	30	4	6,5	12	RAP-MGR 25/520 M W1
	1/4-20 UNC	1.02	20.47	1.18	.16	0.26	0.47	RAP-MGR 25/520 U W1
27	M6	26	700	30	4	6,5	12	RAP-MGR 25/700 M W1
	1/4-20 UNC	1.02	27.55	1.18	.16	0.26	0.47	RAP-MGR 25/700 U W1

Cover a diameter range from 8 mm (.31 in) to 42 mm (1.65 in) with only one Group Weld Plate!

Multi-Group Weld Plates, type RAP-MGR are designed to be used in combination with Standard Series clamp bodies, STAUFF Group 2 (regular types, see pages A6 ff.) covering a diameter range from 8 mm / .31 in to 18 mm / .71 in, as well as Standard Series clamp bodies, STAUFF Group 5 (type MGR, see below) covering a diameter range from 20 mm / .79 in to 42 mm / 1.65 in. Thus, all Standard Series metal parts of these groups can be used.

All threaded parts are available with Metric ISO thread or unified coarse (UNC) thread according to dimension table. Alternative materials and surface finishings are available upon request. Consult STAUFF for further information.

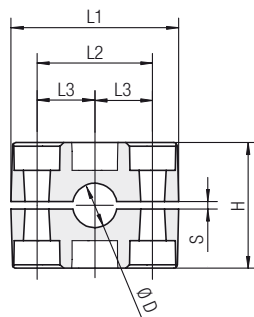
Multi-Group Weld Plate Type RAP-MGR


 STAUFF
Clamps
A

Order Codes

Weld Plate *RAP-MGR*25/156*M*W1

* Multi Group Weld Plate	RAP-MGR
* Suitable for STAUFF Group 2 and 5	25
* Length L4 (mm)	156 (with 6 weld nuts) 156 234 (with 9 weld nuts) 234 312 (with 12 weld nuts) 312 390 (with 15 weld nuts) 390 520 (with 20 weld nuts) 520 700 (with 27 weld nuts) 700
* Thread code	Metric ISO thread M Unified coarse (UNC) thread U
* Material code	Carbon Steel, untreated W1 Carbon Steel, phosphated W2 Carbon Steel, zinc/nickel-plated W3 Stainless Steel V2A W4 1.4301 / 1.4305 (AISI 304 / 303) Stainless Steel V4A W5 1.4401 / 1.4571 (AISI 316 / 316 Ti)

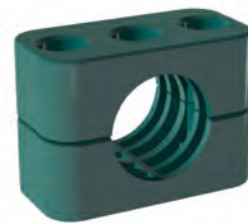


STAUFF Group 5

Group	Outside Diameter Pipe / Tube Ø D	Nominal Bore Pipe Copper Tube	Order Codes (2 Clamp Halves) (** = Material)	Dimensions (mm/in)						
				L1	L2	L3	H	S min.	Width	
5	5	20	520 **-MGR							
		21,3	521,3 **-MGR							
		22	522 **-MGR							
		23	523 **-MGR							
		25	525 **-MGR							
		26,9	526,9 **-MGR							
		28	528 **-MGR	71	52	26	58	0,8	30	
		30	530 **-MGR	2.80	2.05	1.02	2.28	.03	1.18	
		32	532 **-MGR							
		33,7	533,7 **-MGR							
		35	535 **-MGR							
		38	538 **-MGR							
		40	540 **-MGR							
		42	542 **-MGR							

Additional outside diameters are available upon request. Please consult STAUFF for further information.

Clamp Body for Multi-Group Weld Plate Type MGR



Order Codes

Clamp Body *5*20*PP-MGR

One clamp body is consisting of two clamp halves.

* STAUFF Group	5
* Exact outside diameter Ø D1 (mm)	20
* Material code (see below)	PP-MGR

Standard Materials

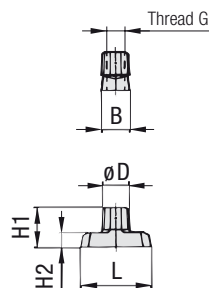
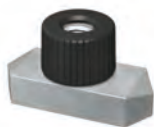
Polypropylene
Colour: Green
Material code: PP-MGR

Polyamide
Colour: Black
Material code: PA-MGR

See page A86 for properties and technical information.

Hexagon Rail Nut

Type SM (for Use with Mounting Rail TS)



Order Codes

Hexagon Rail Nut *SM*1-8/1D*M*W1

- * Hexagon Rail Nut **SM**
- * STAUFF Group 1 to 8 (DIN Group 0 to 8) **1-8/1D**
- * Thread code Metric ISO thread **M**
Unified coarse (UNC) thread **U**
- * Material code Carbon Steel, untreated **W1**
Carbon Steel, zinc/nickel-plated **W3**
Stainless Steel V2A **W4**
1.4301 / 1.4305 (AISI 304 / 303) **W5**
Stainless Steel V4A **W5**
1.4401 / 1.4571 (AISI 316 / 316 Ti)

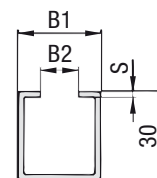
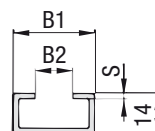
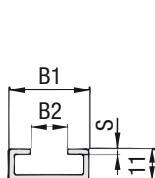
Group STAUFF	DIN	Dimensions (mm/in)						Order Codes (Standard Options)
		Thread G	L	B	H1	H2	ØD	
1	0							
1A	1							
2	2							
3	3							
4	4	M6 1/4-20 UNC	25,5 1.00	10,2 .40	13,5 .53	5,5 .22	12 .47	SM 1-8/1D M W1 SM 1-8/1D U W3 Standard finishing option in North America is W3 (Carbon Steel, zinc/nickel-plated)
5	5							
6	6							
7	7							
8	8							

Hexagon Rail Nuts, type SM 1-8/1D are also suitable for Twin Series, STAUFF Group 1D.

All threaded parts are available with Metric ISO thread or unified coarse (UNC) thread according to dimension table. Alternative materials and surface finishings are available upon request. Consult STAUFF for further information.

Mounting Rail

Type TS (for Use with Hexagon Rail Nut SM)



Mounting Rail TS 11

Mounting Rail TS 14

Mounting Rail TS 30

Order Codes

Mounting Rail *TS*11*-1*W1

- * Mounting Rail **TS**
- * Height of rail 11 mm / .43 in **11**
14 mm / .55 in **14**
30 mm / 1.18 in **30**
- * Length of rail 1 m / 3.28 ft **-1**
2 m / 6.56 ft **-2**

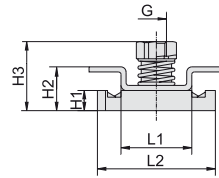
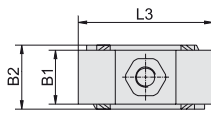
Alternative lengths available upon request.
Consult STAUFF for further information.
- * Material code Carbon Steel, untreated **W1**
Carbon Steel, zinc/nickel-plated **W3**
Stainless Steel V2A **W4**
1.4301 / 1.4305 (AISI 304 / 303) **W5**
Stainless Steel V4A **W5**
1.4401 / 1.4571 (AISI 316 / 316 Ti)

Group STAUFF	DIN	Dimensions (mm/in)			Order Codes (Standard Options)	
		B1	B2	S	Length of Rail: 1 m / 3.28ft	Length of Rail: 2 m / 6.56ft
1	0					
1A	1				Height 11 mm / .43 in TS 11-1 W1	Height 11 mm / .43 in TS 11-2 W1
2	2					
3	3					
4	4	28 1.10	11 .43	2 .08	Height 14 mm / .55 in TS 14-1 W1	Height 14 mm / .55 in TS 14-2 W1
5	5					
6	6					
7	7					
8	8				Height 30 mm / 1.18 in TS 30-1 W1	Height 30 mm / 1.18 in TS 30-2 W1

Mounting Rails, type TS 11/14/30 are suitable for all Standard Series and Twin Series group sizes.

Alternative materials and surface finishings are available upon request. Consult STAUFF for further information.

Channel Rail Adaptor (for Use with Various Channel Rails) Type CRA



Group STAUFF	DIN	Dimensions (mm/in)									Order Codes (Standard Options)
		Thread G	L1	L2	L3	B1	B2	H1	H2	H3	
1	0										
1A	1										
2	2										
3	3										
4	4	M6	21	35	40	16	19	6	13	20,5	CRA 1-8/1D M W3 CRA 1-8/1D U W3
		1/4-20 UNC	.83	1.38	1.57	.63	.75	.24	.51	.81	
5	5										
6	6										
7	7										
8	8										

Order Codes

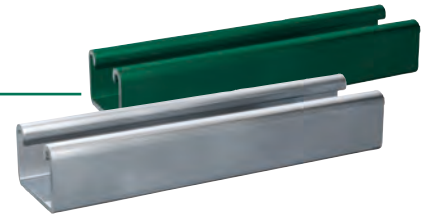
Adaptor

***CRA*1-8/1D*M*W3**

* Channel Rail Adaptor		CRA
* STAUFF Group	1 to 8 (DIN Group 0 to 8)	1-8/1D
* Thread code	Metric ISO thread	M
	Unified coarse (UNC) thread	U
* Material code	Carbon Steel, zinc/nickel-plated	W3
	Stainless Steel V4A 1.4401 / 1.4571 (AISI 316 / 316 Ti)	W5

The Channel Rail Adaptor, type CRA 1-8/1D is also suitable for Twin Series, STAUFF Group 1D.

All threaded parts are available with Metric ISO thread or unified coarse (UNC) thread according to dimension table. Alternative materials and surface finishings are available upon request. Consult STAUFF for further information.



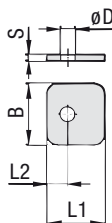
Compatibility with Channel Rails

The STAUFF Channel Rail Adaptor, type CRA, is suitable for various channel rails, including the following types:

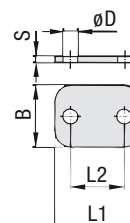
HALFEN	HILTI	UNISTRUT®	STAUFF (Cushion Clamp Series)
HM 41/41	MQ-21, MQ-41, MQ-52, MQ-72	P1000, P1000T, P1000V, P1000VT, P1001	SCS-048-1-PL, SCS-048-1-GR
HZA 41/22	MQ-21U, MQ-41U, MQ-72U	P2000, P2000T	SCS-120-1-PL, SCS-120-1-GR
HZM 41/41	MQ-21D, MQ-41D, MQ-52-72D	P3003, P3003T, P3300V, P3300VT, P3301	See page A83 for technical information.
HZM 41/22		P4000, P4000T	
HL 41/41, HL 41/B2		P5000, P5000T, P5001, P5500, P5500T, P5501	

Consult STAUFF to check compatibility with additional types of channel rails.

Cover Plate
Type DP



STAUFF Group 1



STAUFF Group 1A to 8

Order Codes

Cover Plate

***DP*1*W3**

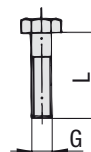
- * Cover Plate **DP**
- * STAUFF Group **1**
- * Material code Carbon Steel, zinc/nickel-plated **W3**
Stainless Steel V2A **W4**
1.4301 / 1.4305 (AISI 304 / 303)
Stainless Steel V4A **W5**
1.4401 / 1.4571 (AISI 316 / 316 Ti)

Group STAUFF	DIN	Dimensions (mm / in)					Order Codes (Standard Options)
		L1	L2	B	S	ØD	
1	0	28	9,5	30	3	7	DP 1 W3
		1.10	.37	1.18	.12	.28	
1A	1	34	20	30	3	7	DP 1A W3
		1.34	.79	1.18	.12	.28	
2	2	40,5	26	30	3	7	DP 2 W3
		1.59	1.02	1.18	.12	.28	
3	3	48	33	30	3	7	DP 3 W3
		1.89	1.30	1.18	.12	.28	
4	4	57	40	30	3	7	DP 4 W3
		2.24	1.57	1.18	.12	.28	
5	5	70	52	30	3	7	DP 5 W3
		2.76	2.05	1.18	.12	.28	
6	6	86	66	30	3	7	DP 6 W3
		3.39	2.60	1.18	.12	.28	
7	7	118	94	30	5	7	DP 7 W3
		4.65	3.70	1.18	.20	.28	
8	8	144	120	30	5	7	DP 8 W3
		5.67	4.72	1.18	.20	.28	

Alternative materials and surface finishings are available upon request. Consult STAUFF for further information.

Hexagon Head Bolt

Type AS (for Use with Cover Plate DP)



Hexagon Head Bolt AS (according to DIN 931 / 933 or ANSI / ASME B18.2.1.)

Dimensions applicable only when used with Cover Plate DP

Order Codes

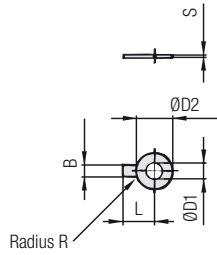
Hexagon Head Bolt

***AS*1*M*W3**

- * Type of bolt Hexagon Head Bolt (according to DIN 931 / 933 or ANSI / ASME B18.2.1.) **AS**
- * STAUFF Group **1**
- * Thread code Metric ISO thread **M**
Unified coarse (UNC) thread **U**
- * Material code Carbon Steel, zinc/nickel-plated **W3**
Stainless Steel V2A **W4**
1.4301 / 1.4305 (AISI 304 / 303)
Stainless Steel V4A **W5**
1.4401 / 1.4571 (AISI 316 / 316 Ti)

Group STAUFF	DIN	Dimensions (mm / in)		Order Codes (Standard Options)
		Thread	G x L	
1	0	M6 x 30		AS 1 M W3
		1/4-20 UNC x 1-1/4		AS 1 U W3
1A	1	M6 x 30		AS 1A M W3
		1/4-20 UNC x 1-1/4		AS 1A U W3
2	2	M6 x 35		AS 2 M W3
		1/4-20 UNC x 1-3/8		AS 2 U W3
3	3	M6 x 40		AS 3 M W3
		1/4-20 UNC x 1-1/2		AS 3 U W3
4	4	M6 x 45		AS 4 M W3
		1/4-20 UNC x 1-7/8		AS 4 U W3
5	5	M6 x 60		AS 5 M W3
		1/4-20 UNC x 2-3/8		AS 5 U W3
6	6	M6 x 70		AS 6 M W3
		1/4-20 UNC x 2-3/4		AS 6 U W3
7	7	M6 x 100		AS 7 M W3
		1/4-20 UNC x 4		AS 7 U W3
8	8	M6 x 125		AS 8 M W3
		1/4-20 UNC x 4-7/8		AS 8 U W3

All threaded parts are available with Metric ISO thread or unified coarse (UNC) thread according to dimension table. Alternative materials and surface finishings are available upon request. Consult STAUFF for further information.

**Safety Washer
Type SI (DIN 93)**

Safety Washer SI (according to DIN 93)

Group STAUFF	DIN	Dimensions (mm/in)						Order Codes (Standard Options)
		ØD1	B	ØD2	L	R	S	
1 to 8	0 to 8	6,4	7	19	18	4	0,5	SI 6,4 DIN 93 W3
		.25	.28	.75	.71	.16	.02	

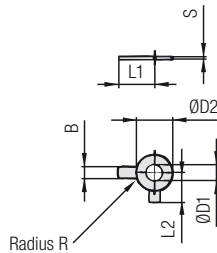
Safety Washers, type SI are used as locking devices to prevent Hexagon Head Bolts, type AS from loosening.
Safety Washers, type SI are suitable for all Standard Series group sizes.

Alternative materials and surface finishings are available upon request. Consult STAUFF for further information.


Order Codes
Safety Washer ***SI*6,4*DIN 93*W3**

* Type of washer Safety washer with 1 tab **SI 6,4 DIN 93**
(according to DIN 93)

* Material code Carbon Steel, zinc/nickel-plated **W3**

**Safety Washer
Type SI (DIN 463)**

Safety Washer SI (according to DIN 463)

Group STAUFF	DIN	Dimensions (mm/in)						Order Codes (Standard Options)	
		ØD1	B	ØD2	L1	L2	R		S
1 to 8	0 to 8	6,4	7	12	18	9	4	0,5	SI 6,4 DIN 463 W3
		.25	.28	.47	.71	.35	.16	.02	

Safety Washers, type SI are used as locking devices to prevent Hexagon Head Bolts, type AS from loosening.
Safety Washers, type SI are suitable for all Standard Series group sizes.

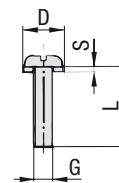
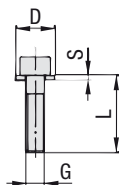
Alternative materials and surface finishings are available upon request. Consult STAUFF for further information.


Order Codes
Safety Washer ***SI*6,4*DIN 463*W3**

* Type of washer Safety washer with 2 tabs **SI 6,4 DIN 463**
(according to DIN 463)

* Material code Carbon Steel, zinc/nickel-plated **W3**

Socket Cap Screw Type IS (with Washer) **Slotted Head Screw Type LI**



Socket Cap Screw IS

(according to ISO 4762 or ANSI / ASME B18.3)

Dimensions applicable only when used without Cover Plate DP

Slotted Head Screw LI

(according to ISO 1207 or ANSI / ASME B18.6.3)

Dimensions applicable only when used without Cover Plate DP

Order Codes

Socket Cap Screw

***IS*1*M*W3**

Slotted Head Screw

***LI*1*M*W3**

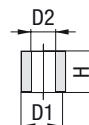
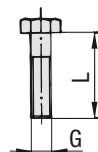
- * Type of bolt: Socket Cap Screw with Washer (according to ISO 4762 or ANSI / ASME B18.3) **IS**
Slotted Head Screw with Washer (according to ISO 1207 or ANSI / ASME B18.6.3) **LI**
- * STAUFF Group: **1**
- * Thread code: Metric ISO thread **M**
Unified coarse (UNC) thread **U**
- * Material code: Carbon Steel, zinc/nickel-plated **W3**
Stainless Steel V2A **W4**
1.4301 / 1.4305 (AISI 304 / 303)
Stainless Steel V4A **W5**
1.4401 / 1.4571 (AISI 316 / 316 Ti)

Group STAUFF	DIN	Dimensions (mm/in)			Order Codes (Standard Options)	
		Thread G x L	D	S	Socket Cap Screws	Slotted Head Screws
1	0	M6 x 20			IS 1 M W3	LI 1 M W3
		1/4-20 UNC x 3/4			IS 1 U W3	LI 1 U W3
1A	1	M6 x 20			IS 1A M W3	LI 1A M W3
		1/4-20 UNC x 3/4			IS 1A U W3	LI 1A U W3
2	2	M6 x 25			IS 2 M W3	LI 2 M W3
		1/4-20 UNC x 1			IS 2 U W3	LI 2 U W3
3	3	M6 x 30			IS 3 M W3	LI 3 M W3
		1/4-20 UNC x 1-1/8			IS 3 U W3	LI 3 U W3
4	4	M6 x 35	11	0,8	IS 4 M W3	LI 4 M W3
		1/4-20 UNC x 1-3/8			IS 4 U W3	LI 4 U W3
5	5	M6 x 50			IS 5 M W3	LI 5 M W3
		1/4-20 UNC x 2			IS 5 U W3	LI 5 U W3
6	6	M6 x 60			IS 6 M W3	LI 6 M W3
		1/4-20 UNC x 2-1/2			IS 6 U W3	LI 6 U W3
7	7	M6 x 90			IS 7 M W3	ON REQUEST ONLY
		1/4-20 UNC x 3-3/8			IS 7 U W3	ON REQUEST ONLY
8	8	M6 x 110			IS 8 M W3	ON REQUEST ONLY
		1/4-20 UNC x 4-3/8			IS 8 U W3	ON REQUEST ONLY

All threaded parts are available with Metric ISO thread or unified coarse (UNC) thread according to dimension table. Alternative materials and surface finishings are available upon request. Consult STAUFF for further information.

Hexagon Head Bolt Type ASE

Insert Type ES / EP



Hexagon Head Bolt ASE

(according to DIN 931 / 933 or ANSI / ASME B18.2.1.)

Dimensions applicable only when used with Inserts EP / ES

Inserts ES (Steel) / EP (Plastic)

Order Codes

Hexagon Head Bolt

***ASE*1*M*W3**

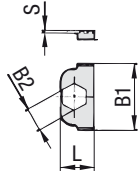
- * Type of bolt: Hexagon Head Bolt (according to DIN 931 / 933 or ANSI / ASME B18.2.1.) **AS**
for use with Insert ES / EP **E**
- * STAUFF Group: **1**
- * Thread code: Metric ISO thread **M**
Unified coarse (UNC) thread **U**
- * Material code: Carbon Steel, zinc/nickel-plated **W3**
Stainless Steel V2A **W4**
1.4301 / 1.4305 (AISI 304 / 303)
Stainless Steel V4A **W5**
1.4401 / 1.4571 (AISI 316 / 316 Ti)

Group STAUFF	DIN	Dimensions (mm/in)			Order Codes (Standard Options)		
		Thread G x L	D1	D2	H ES	H EP	ES (Steel)
1	0	M6 x 27					
		1/4-20 UNC x 1-1/8					
1A	1	M6 x 27					
		1/4-20 UNC x 1-1/8					
2	2	M6 x 32					
		1/4-20 UNC x 1-3/8					
3	3	M6 x 35					
		1/4-20 UNC x 1-3/8					
4	4	M6 x 42					
		1/4-20 UNC x 1-5/8					
5	5	M6 x 57					
		1/4-20 UNC x 2-3/8					
6	6	M6 x 65					
		1/4-20 UNC x 2-3/4					
7	7	M6 x 95					
		1/4-20 UNC x 4					
8	8	M6 x 118					
		1/4-20 UNC x 4-3/4					

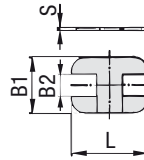
All threaded parts are available with Metric ISO thread or unified coarse (UNC) thread according to dimension table. Alternative materials and surface finishings are available upon request. Consult STAUFF for further information.

Safety Locking Plate

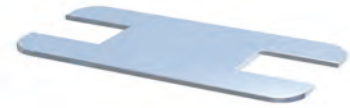
(for Use with Stacking Bolt AF) Type SIG



STAUFF Group 1



STAUFF Group 1A to 8



Group STAUFF	DIN	Dimensions (mm/in)				Order Codes (Standard Options)
		L	B1	B2	S	
1	0	16	32	11,2	1	SIG 1 W3
		0.63	1.26	.44	.04	
1A	1	33	28	11,2	1	SIG 1A W3
		1.30	1.10	.44	.04	
2	2	39	28	11,2	1	SIG 2 W3
		1.54	1.10	.44	.04	
3	3	47	28	11,2	1	SIG 3 W3
		1.85	1.10	.44	.04	
4	4	56	28	11,2	1	SIG 4 W3
		2.20	1.10	.44	.04	
5	5	69	28	11,2	1	SIG 5 W3
		2.72	1.10	.44	.04	
6	6	85	28	11,2	1	SIG 6 W3
		3.35	1.10	.44	.04	
7	7	117	28	11,2	1	SIG 7 W3
		4.61	1.10	.44	.04	
8	8	143	28	11,2	1	SIG 8 W3
		5.63	1.10	.44	.04	

Order Codes

Safety Locking Plate

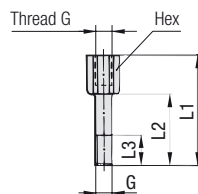
***SIG*1*W3**

* Safety Locking Plate		SIG
* STAUFF Group		1
* Material code	Carbon Steel, zinc/nickel-plated	W3
	Stainless Steel V2A	W4
	1.4301 / 1.4305 (AISI 304 / 303)	
	Stainless Steel V4A	W5
	1.4401 / 1.4571 (AISI 316 / 316 Ti)	

Alternative materials and surface finishings are available upon request. Consult STAUFF for further information.

Stacking Bolt

(for Use with Safety Locking Plate SIG) Type AF



Group STAUFF	DIN	Dimensions (mm/in)					Order Codes (Standard Options)
		Thread G	L1	L2	L3 min.	Hex	
1	0	M6	34	20	12	11	AF 1 M W3
		1/4-20 UNC	1.34	.79	.47	.43	AF 1 U W3
1A	1	M6	34	20	12	11	AF 1A M W3
		1/4-20 UNC	1.34	.79	.47	.43	AF 1A U W3
2	2	M6	40	25	12	11	AF 2 M W3
		1/4-20 UNC	1.57	.98	.47	.43	AF 2 U W3
3	3	M6	44	30	12	11	AF 3 M W3
		1/4-20 UNC	1.73	1.18	.47	.43	AF 3 U W3
4	4	M6	49	35	12	11	AF 4 M W3
		1/4-20 UNC	1.93	1.38	.47	.43	AF 4 U W3
5	5	M6	64	50	12	11	AF 5 M W3
		1/4-20 UNC	2.52	1.97	.47	.43	AF 5 U W3
6	6	M6	74	60	12	11	AF 6 M W3
		1/4-20 UNC	2.91	2.36	.47	.43	AF 6 U W3
7	7	M6	99	85	12	11	AF 7 M W3
		1/4-20 UNC	3.90	3.35	.47	.43	AF 7 U W3
8	8	M6	124	110	12	11	AF 8 M W3
		1/4-20 UNC	4.88	4.33	.47	.43	AF 8 U W3

Order Codes

Stacking Bolt

***AF*1*M*W3**

* Type of bolt	Stacking Bolt (according to STAUFF Standard)	AF
* STAUFF Group		1
* Thread code	Metric ISO thread	M
	Unified coarse (UNC) thread	U
* Material code	Carbon Steel, zinc/nickel-plated	W3
	Stainless Steel V2A	W4
	1.4301 / 1.4305 (AISI 304 / 303)	
	Stainless Steel V4A	W5
	1.4401 / 1.4571 (AISI 316 / 316 Ti)	

All threaded parts are available with Metric ISO thread or unified coarse (UNC) thread according to dimension table. Alternative materials and surface finishings are available upon request. Consult STAUFF for further information.



① Type of Installation

Please select the type of installation (e.g. Weld Plates, Rail Nuts, etc.) and add the corresponding Code to position ① of the order code for your clamp assembly.

Without Installation Equipment
Code: **none**

Installation on Weld Plate

Single Weld Plate
Code: **SP**

Elongated Weld Plate
Code: **SPV**

Twin Weld Plate (for STAUFF Group 1 to 6 only)
Code: **DSP**

Group Weld Plate (for STAUFF Group 1 to 6 only)
Code: **RAP**

Angled Weld Plate (for STAUFF Group 1 to 6 only)
Code: **WSP**

Bridge Weld Plate (for STAUFF Group 1A to 6 only)
Code: **BSP**

Installation on Mounting / Channel Rail

Hexagon Rail Nut
Code: **SM**

Channel Rail Adaptor
Code: **CRA**

② Group Size & Diameter

Please select the required group size and diameter and add the corresponding Code to position ② of the order code for your clamp assembly.

Group STAUFF (DIN)	Outside Diameter P / T / H (mm)	Availability of Clamp Body Materials & Designs			Code
		Profiled Design	Type H	Type RI	
1 (0)	6	●	●	○	106
	6,4	●	●	○	106,4
	8	●	●	○	108
	9,5	●	●	○	109,5
	10	●	●	○	110
	12	●	●	○	112
1A (1)	6	●	●	○	106A
	6,4	●	●	○	106,4A
	8	●	●	○	108A
	9,5	●	●	○	109,5A
	10	●	●	○	110A
	12	●	●	○	112A
2 (2)	12,7	●	●	○	212,7
	13,5	●	●	○	213,5
	14	●	●	○	214
	15	●	●	○	215
	16	●	●	○	216
	17,2	●	●	○	217,2
3 (3)	18	●	●	○	218
	13,4	○	●	○	313,4
	17,4	○	●	○	317,4
	19	●	●	○	319
	20	●	●	○	320
	20,5	○	●	○	320,5
4 (4)	21,3	●	●	○	321,3
	22	●	●	○	322
	23,9	○	●	○	323,9
	25	●	●	○	325
	25,4	●	●	○	325,4
	6	○	○	●	406
	8	○	○	●	408
	10	○	○	●	410
	12	○	○	●	412
	12,7	○	○	●	412,7
14	○	○	●	414	
15	○	○	●	415	
16	○	○	●	416	
17,2	○	○	●	417,2	
18	○	○	●	418	
19	○	○	●	419	
26,9	●	●	○	426,9	
28	●	●	○	428	
28,6	●	○	○	428,6	
30	●	●	○	430	
32	●	●	○	432	

Group STAUFF (DIN)	Outside Diameter P / T / H (mm)	Availability of Clamp Body Materials & Designs			Code
		Profiled Design	Type H	Type RI	
5 (5)	27,8	○	●	○	527,8
	32	●	●	○	532
	33,7	●	●	○	533,7
	35	●	●	○	535
	35,7	○	●	○	535,7
	38	●	●	○	538
	40	●	●	○	540
	41,3	●	○	○	541,3
	42	●	●	○	542
	43,8	○	●	○	543,8
6 (6)	20	○	○	●	620
	21,3	○	○	●	621,3
	22	○	○	●	622
	25	○	○	●	625
	26,9	○	○	●	626,9
	28	○	○	●	628
	30	○	○	●	630
	32	○	○	●	632
	44,5	●	●	○	644,5
	48,3	●	●	○	648,3
7 (7)	49,8	○	●	○	649,8
	50,8	●	●	○	650,8
	54	●	●	○	654
	57,2	●	●	○	757,2
	60,3	●	●	○	760,3
	63,5	●	●	○	763,5
8 (8)	70	●	●	○	770
	73	●	●	○	773
	76,1	●	●	○	776,1
8 (8)	88,9	●	●	○	888,9
	102	●	●	○	8102L

● Standard Option

Additional outside diameters are available upon request. Please consult STAUFF for further information.

Please see pages A22 and A23 with detailed order examples for some of the most popular Standard Series clamp assemblies.

③ Clamp Body Design & Material

Please select the design and material of your clamp body and add the corresponding Code to position ③ of the order code for your clamp assembly.

Please check the availability of the selected clamp body design and material according to the matrix table in ②.

Profiled Design



Polypropylene
Code: **PP**



Polyamide
Code: **PA**



Thermoplastic Elastomer (87 Shore-A)
Code: **SA**



Aluminium
Code: **AL** (for STAUFF Group 1A to 6 only)

Type H (Smooth)



Polypropylene
Code: **PPH**



Polyamide
Code: **PAH**



Thermoplastic Elastomer (87 Shore-A)
Code: **SAH**

Type RI (with Rubber Insert)



Polypropylene
Code: **PPR** (for STAUFF Group 4 and 6 only)



Polyamide
Code: **PAR** (for STAUFF Group 4 and 6 only)

See page A86 for material properties and technical information.

Please consult STAUFF for further details on fire-proof and corrosion preventing clamp body materials, tested and approved according to several international fire-protection standards.

④ Mounting & Fitting Combination

Please select the mounting and fitting combination (e.g. bolts, screws, cover plates, etc.) and add the corresponding Code to position ④ of the order code for your clamp assembly.

Installation with Cover Plate and Bolts

Cover Plate DP with
Hexagon Head Bolts AS
Code: **DP-AS**

Cover Plate DP with
Socket Cap Screws IS
Code: **DP-IS**

Installation with Locking Plate and Bolts

Safety Locking Plate SIG with
Stacking Bolts AF
Code: **SIG-AF**

Installation with Inserts and Bolts

Inserts EP (Plastic) with
Hexagon Head Bolts ASE
Code: **EP-AS**

Inserts ES (Steel) with
Hexagon Head Bolts ASE
Code: **ES-AS**

Installation with Bolts only

Socket Cap Screws IS with Washers
Code: **IS**

Slotted Head Screws LI with Washers
Code: **LI** (for STAUFF Group 1 to 6 only)

⑤ Thread Type

Please select the required thread type and add the corresponding Code to position ⑤ of the order code for your clamp assembly.

Metric ISO thread
Code: **M**

Unified coarse (UNC) thread
Code: **U**

All threaded parts are available with Metric ISO thread or unified coarse (UNC) thread according to dimension table.

⑥ Material & Surface Finishing

Please select the required material & surface finishing of the metal parts and add the corresponding Code to position ⑥ of the order code for your clamp assembly.

Metal parts made of Carbon Steel, untreated **W1**

Metal parts made of Carbon Steel, phosphated **W2**

Metal parts made of Carbon Steel, zinc/nickel-plated **W3**

Metal parts made of Stainless Steel V2A
1.4301 / 1.4305 (AISI 304 / 303) **W4**

Metal parts made of Stainless Steel V4A
1.4401 / 1.4571 (AISI 316 / 316 Ti) **W5**

Weld Plate made of Carbon Steel, phosphated; Other metal parts made of Carbon Steel, zinc/nickel-plated **W10**

Rail Nuts made of Carbon Steel, untreated; Other metal parts made of Carbon Steel, zinc/nickel-plated **W11**

Individual combinations of alternative materials and surface finishings are available upon request. Consult STAUFF for further information.

⑦ Assembling & Kitting

If required, please select an additional assembling and kitting option and add the corresponding Code to the last position of the order code for your clamp assembly.

Components supplied separately

Code: **none** (standard option)

Components assembled

Code: **#A** (special option)

Components packed in kits

Code: **#K** (special option)



- 2x **Hexagon Head Bolt**
Surface: W3
Thread: Metric
- 1x **Cover Plate**
Surface: W3
- 1x **Clamp Body** (two halves)
STAUFF Group 2 (DIN 2)
O.D. 12,7 mm / .50 in
Material: Polypropylene
Profiled inside surface
with tension clearance
- 1x **Single Weld Plate**
Surface: W2
Thread: Metric

Order Code**SP 212,7 PP DP-AS M W10**

W10 is the standard option for this type of installation.



- 2x **Socket Cap Screw**
Surface: W3
Thread: Metric
- 1x **Clamp Body** (two halves)
STAUFF Group 2 (DIN 2)
O.D. 12,7 mm / .50 in
Material: Polypropylene
Profiled inside surface
with tension clearance
- 1x **Single Weld Plate**
Surface: W2
Thread: Metric

Order Code**SP 212,7 PP IS M W10**

W10 is the standard option for this type of installation.



- 2x **Slotted Head Screw**
Surface: W3
Thread: Metric
- 1x **Clamp Body** (two halves)
STAUFF Group 2 (DIN 2)
O.D. 12,7 mm / .50 in
Material: Polypropylene
Profiled inside surface
with tension clearance
- 1x **Single Weld Plate**
Surface: W2
Thread: Metric

Order Code**SP 212,7 PP LI M W10**

W10 is the standard option for this type of installation.
Available up to STAUFF Group 6 (DIN Group 6) only.



- 2x **Hexagon Head Bolt**
Surface: W3
Thread: Metric
- 1x **Cover Plate**
Surface: W3
- 1x **Clamp Body** (two halves)
STAUFF Group 2 (DIN 2)
O.D. 12,7 mm / .50 in
Material: Polypropylene
Profiled inside surface
with tension clearance
- 1x **Elongated Weld Plate**
Surface: W2
Thread: Metric

Order Code**SPV 212,7 PP DP-AS M W10**

W10 is the standard option for this type of installation.



- 2x **Socket Cap Screw**
Surface: W3
Thread: Metric
- 1x **Clamp Body** (two halves)
STAUFF Group 2 (DIN 2)
O.D. 12,7 mm / .50 in
Material: Polypropylene
Profiled inside surface
with tension clearance
- 1x **Elongated Weld Plate**
Surface: W2
Thread: Metric

Order Code**SPV 212,7 PP IS M W10**

W10 is the standard option for this type of installation.



- 2x **Slotted Head Screw**
Surface: W3
Thread: Metric
- 1x **Clamp Body** (two halves)
STAUFF Group 2 (DIN 2)
O.D. 12,7 mm / .50 in
Material: Polypropylene
Profiled inside surface
with tension clearance
- 1x **Elongated Weld Plate**
Surface: W2
Thread: Metric

Order Code**SPV 212,7 PP LI M W10**

W10 is the standard option for this type of installation.
Available up to STAUFF Group 6 (DIN Group 6) only.



- 2x **Hexagon Head Bolt**
Surface: W3
Thread: Metric
- 1x **Cover Plate**
Surface: W3
- 1x **Clamp Body** (two halves)
STAUFF Group 2 (DIN 2)
O.D. 12,7 mm / .50 in
Material: Polypropylene
Profiled inside surface
with tension clearance
- 2x **Hexagon Rail Nut**
Surface: W1
Thread: Metric

Order Code (Mounting Rail TS not included.)**SM 212,7 PP DP-AS M W11**

W11 is the standard option for this type of installation.



- 2x **Socket Cap Screw**
Surface: W3
Thread: Metric
- 1x **Clamp Body** (two halves)
STAUFF Group 2 (DIN 2)
O.D. 12,7 mm / .50 in
Material: Polypropylene
Profiled inside surface
with tension clearance
- 2x **Hexagon Rail Nut**
Surface: W1
Thread: Metric

Order Code (Mounting Rail TS not included.)**SM 212,7 PP IS M W11**

W11 is the standard option for this type of installation.



- 2x **Slotted Head Screw**
Surface: W3
Thread: Metric
- 1x **Clamp Body** (two halves)
STAUFF Group 2 (DIN 2)
O.D. 12,7 mm / .50 in
Material: Polypropylene
Profiled inside surface
with tension clearance
- 2x **Hexagon Rail Nut**
Surface: W1
Thread: Metric

Order Code (Mounting Rail TS not included.)**SM 212,7 PP LI M W11**

W11 is the standard option for this type of installation.
Available up to STAUFF Group 6 (DIN Group 6) only.



- 2x **Hexagon Head Bolt**
Surface: W3
Thread: Metric
- 1x **Cover Plate**
Surface: W3
- 1x **Clamp Body** (two halves)
STAUFF Group 2 (DIN 2)
O.D. 12,7 mm / .50 in
Material: Polypropylene
Profiled inside surface
with tension clearance

Order Code

212,7 PP DP-AS M W3

W3 is the standard option for this type of installation.



- 2x **Socket Cap Screw**
Surface: W3
Thread: Metric
- 1x **Clamp Body** (two halves)
STAUFF Group 2 (DIN 2)
O.D. 12,7 mm / .50 in
Material: Polypropylene
Profiled inside surface
with tension clearance

Order Code

212,7 PP IS M W3

W3 is the standard option for this type of installation.



- 2x **Slotted Head Screw**
Surface: W3
Thread: Metric
- 1x **Clamp Body** (two halves)
STAUFF Group 2 (DIN 2)
Tube-O.D. 12,7 mm / .50 in
Material: Polypropylene
Profiled inside surface
with tension clearance

Order Code

212,7 PP LI M W3

W3 is the standard option for this type of installation.



- 2x **Stacking Bolt**
Surface: W3
Thread: Metric
- 1x **Safety Locking Plate**
Surface: W3
- 1x **Clamp Body** (two halves)
STAUFF Group 2 (DIN 2)
O.D. 12,7 mm / .50 in
Material: Polypropylene
Profiled inside surface
with tension clearance

Order Code

212,7 PP SIG-AF M W3

W3 is the standard option for this type of installation.



- 1x **Socket Cap Screw**
Surface: W3
Thread: Metric
- 1x **Clamp Body** (two halves)
STAUFF Group 1 (DIN 0)
O.D. 6 mm / .24 in
Material: Polypropylene
Profiled inside surface
with tension clearance
Thread: Metric
- 1x **Single Weld Plate**
Surface: W2
Thread: Metric

Order Code*

SP 106 PP IS M W10

W10 is the standard option for this type of installation.

Thread codes

All threaded parts are available with Metric ISO thread or unified coarse (UNC) thread according to dimension table.

Metric ISO thread	M
Unified coarse (UNC) thread	U

Material codes

The below listed material codes describe the materials and surface finishings of metal parts that are most relevant for Standard Series clamp assemblies. Individual combinations of alternative materials and surface finishings are available upon request. Consult STAUFF for further information.

Metal parts made of Carbon Steel, untreated	W1
Metal parts made of Carbon Steel, phosphated	W2
Metal parts made of Carbon Steel, zinc/nickel-plated	W3
Metal parts made of Stainless Steel V2A	W4
1.4301 / 1.4305 (AISI 304 / 303)	W4
Metal parts made of Stainless Steel V4A	W5
1.4401 / 1.4571 (AISI 316 / 316 Ti)	W5
Weld Plate made of Carbon Steel, phosphated; Other metal parts made of Carbon Steel, zinc/nickel-plated	W10
Rail Nuts made of Carbon Steel, untreated; Other metal parts made of Carbon Steel, zinc/nickel-plated	W11

Technical Notes

* Because of their design, STAUFF Group 1 (DIN Group 0) clamp assemblies only include a single bolt / screw.



- 2x **Hexagon Head Bolt**
Surface: W3
Thread: Metric
- 2x **Insert**
Material: Plastic
- 1x **Clamp Body** (two halves)
STAUFF Group 2 (DIN 2)
O.D. 12,7 mm / .50 in
Material: Polypropylene
Profiled inside surface
with tension clearance
- 1x **Single Weld Plate**
Surface: W2
Thread: Metric

Order Code

SP 212,7 PP EP-AS M W10

W10 is the standard option for this type of installation.



- 2x **Hexagon Head Bolt**
Surface: W3
Thread: Metric
- 2x **Insert**
Material: Plastic
- 1x **Clamp Body** (two halves)
STAUFF Group 2 (DIN 2)
O.D. 12,7 mm / .50 in
Material: Polypropylene
Profiled inside surface
with tension clearance
- 1x **Elongated Weld Plate**
Surface: W2
Thread: Metric

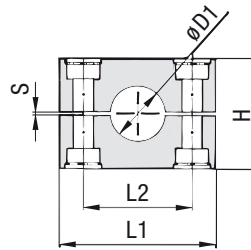
Order Code

SPV 212,7 PP EP-AS M W10

W10 is the standard option for this type of installation.

Clamp Body - Profiled Design

Profiled Inside Surface with Tension Clearance



Order Codes

Clamp Body

***3*006*PP**

One clamp body is consisting of two clamp halves.

- * 1st part of STAUFF Group **3**
- * Exact outside diameter Ø D1 (mm) **006**
- * Material code (see below) **PP**

Standard Materials



Polypropylene
Colour: Green
Material code: **PP**



Polyamide
Colour: Black
Material code: **PA**



Thermoplastic Elastomer (87 Shore-A)
Colour: Black
Material code: **SA**



Aluminium
Colour: Self-Colour
Material code: **AL**

See page A86 for material properties and technical information.

Special Materials

Please consult STAUFF for further details on fire-proof and corrosion preventing clamp body materials, tested and approved according to several international fire-protection standards.

See page A87 for material properties and technical information.

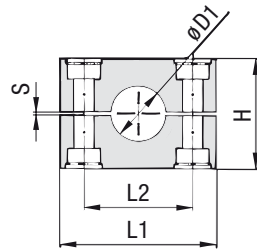
Product Features

- Proven, tested and trusted product in various markets
- Recommended for the safe installation of rigid pipes and tubes
- Available for all commonly used pipe and tube outside diameters
- Environmental protection due to vibration/noise reducing design
- Excellent weathering resistance, even under extreme conditions

Group	STAUFF	DIN	Outside Diameter		Nominal Bore		Order Codes (2 Clamp Halves) (** = Material)	Dimensions (mm/in)					
			Pipe / Tube Ø D1 (mm)	(in)	Pipe (in)	Copper Tube (in)		L1 PP/PA/SA	L1 AL	L2	H	S min.	Width
3S	1	6					3006 **	55	56	33	32	0,6	30,5
		6,4	1/4			3006,4 **							
		8	5/16			3008 **							
		9,5	3/8		1/4	3009,5 **							
		10		1/8		3010 **							
		12				3012 **							
		12,7	1/2		3/8	3012,7 **							
		13,5		1/4		3013,5 **							
		14				3014 **							
		15				3015 **							
		16	5/8		1/2	3016 **							
		17,2		3/8		3017,2 **							
		18				3018 **							
20				3020 **									
4S	2	19		3/4			4019 **	70	70	45	48	0,6	30,5
		20				4020 **							
		21,3		1/2		4021,3 **							
		22			3/4	4022 **							
		25				4025 **							
		25,4	1			4025,4 **							
		26,9		3/4		4026,9 **							
		28				4028 **							
		30				4030 **							
		30				5030 **							
5S	3	32	1-1/4				5032 **	85	85	60	60	0,6	30,5
		33,7		1		5033,7 **							
		35			1-1/4	5035 **							
		38	1-1/2			5038 **							
		40				5040 **							
		41,3			1-1/2	5041,3 **							
		42		1-1/4		5042 **							
6S	4	38	1-1/2				6038 **	115	120	90	89	2	45
		42		0		6042 **							
		44,5	1-3/4			6044,5 **							
		48,3		1-1/2		6048,3 **							
		50,8	2			6050,8 **							
		54			2	6054 **							
		55				6055 **							
		57				6057 **							
		57,2	2-1/4			6057,2 **							
		60,3		2		6060,3 **							
63,5	2-1/2			6063,5 **									
65				6065 **									
70	2-3/4			6070 **									

See page A25 for STAUFF Group 7S to 12S (DIN Group 5 to 10).

Additional outside diameters are available upon request. Please consult STAUFF for further information.



Clamp Body - Profiled Design

Profiled Inside Surface with Tension Clearance



Group	DIN	Outside Diameter		Nominal Bore	Order Codes (2 Clamp Halves) (** = Material)	Dimensions (mm/in)					
		Pipe / Tube Ø D1 (mm)	(in)			Pipe (in)	L1 PP/PA	L1 AL	L2	H	S min.
7S	5	60,3			7060,3 **	154	152	122	120	2	60
		65			7065 **						
		70	2-3/4		7070 **						
		73		2-1/2 (ANSI B 36-10)	7073 **						
		75			7075 **						
		76,1	3	2-1/2 (DIN EN 10220)	7076,1 **						
		80			7080 **						
		82,5			7082,5 **						
8S	6	88,9	3-1/2	3	8088,9 **	206	208	168	168	2	80
		100			8100 **						
		102	4	3-1/2	8102 **						
		108			8108 **						
		114	4-1/2	4	8114 **						
		127	5		8127 **						
		133			8133 **						
		9S	7	127	5						
133					9133 **						
140				5	9140 **						
152	6				9152 **						
159					9159 **						
165					9165 **						
168				6	9168 **						
10S	8			168		6	10168 **	336	326	265	270
		177,8			10177,8 **						
		193,7			10193,7 **						
		203	8		10203 **						
		216			10216 **						
11S	9	219		8	11219 **	470	470	395	410	8	162
		273		10	11273 **						
		324		12	11324 **						
12S	10	356		14	12356 **	630	630	534	530	20	182
		406		16	12406 **						

Order Codes

Clamp Body

***7*060,3*PP**

One clamp body is consisting of two clamp halves.

- * 1st part of STAUFF Group
- * Exact outside diameter Ø D1 (mm)
- * Material code (see below)

**7
060,3
PP**

Standard Materials



Polypropylene
Colour: Green
Material code: **PP**



Polyamide
Colour: Black
Material code: **PA**



Aluminium
Colour: Self-Colour
Material code: **AL**

See page A86 for material properties and technical information.

Special Materials

Please consult STAUFF for further details on fire-proof and corrosion preventing clamp body materials, tested and approved according to several international fire-protection standards.

See page A87 for material properties and technical information.

Product Features

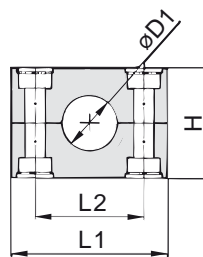
- Proven, tested and trusted product in various markets
- Recommended for the safe installation of rigid pipes and tubes
- Available for all commonly used pipe and tube outside diameters
- Environmental protection due to vibration/noise reducing design
- Excellent weathering resistance, even under extreme conditions

See page A24 for STAUFF Group 3S to 6S (DIN Group 1 to 4).

Additional outside diameters are available upon request. Please consult STAUFF for further information.

Clamp Body ▪ Type H

Smooth Inside Surface without Tension Clearance



Order Codes

Clamp Body

***3*006*PPH**

One clamp body is consisting of two clamp halves.

- * 1st part of STAUFF Group **3**
- * Exact outside diameter $\varnothing D1$ (mm) **006**
- * Material code (see below) **PPH**

Standard Materials



Polypropylene
Colour: Green
Material code: **PPH**



Polyamide
Colour: Black
Material code: **PAH**



Thermoplastic Elastomer (87 Shore-A)
Colour: Black
Material code: **SAH**

See page A86 for material properties and technical information.

Special Materials

Please consult STAUFF for further details on fire-proof and corrosion preventing clamp body materials, tested and approved according to several international fire-protection standards.

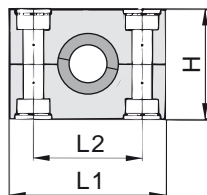
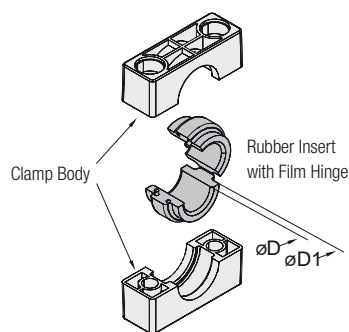
See page A87 for material properties and technical information.

Product Features

- Proven, tested and trusted product in various markets
- Recommended for the safe installation of hoses and cables
- Chamfered edges avoid damaging of the hose or cable
- Available for all commonly used hose and cable outside diameters
- Excellent weathering resistance, even under extreme conditions

Group	STAUFF	DIN	Outside Diameter		Nominal Bore Hydraulic Hose SAE 100 R2 AT (in)	Order Codes (2 Clamp Halves) (*** = Material)	Dimensions (mm/in)			
			$\varnothing D1$ (mm)	(in)			L1	L2	H	Width
3S	1	6				3006 ***	55 2.16	33 1.30	30,5 1.20	30,5 1.20
		6,4	1/4			3006,4 ***				
		8	5/16			3008 ***				
		9,5	3/8			3009,5 ***				
		10				3010 ***				
		12				3012 ***				
		12,7	1/2			3012,7 ***				
		13,5				3013,5 ***				
		14				3014 ***				
		15		1/4		3015 ***				
		16	5/8			3016 ***				
		17,2				3017,2 ***				
		18				3018 ***				
		4S	2	15		1/4				
19	3/4					4019 ***				
19,8				3/8		4019,8 ***				
20						4020 ***				
21,3						4021,3 ***				
22						4022 ***				
22,1				1/2		4022,1 ***				
25						4025 ***				
25,1				5/8		4025,1 ***				
25,4	1					4025,4 ***				
26,9						4026,9 ***				
28						4028 ***				
29,2				3/4		4029,2 ***				
30						4030 ***				
5S	3	30				5030 ***	85 3.35	60 2.36	58 2.28	30,5 1.20
		32	1-1/4			5032 ***				
		33,7				5033,7 ***				
		35				5035 ***				
		38	1-1/2			5038 ***				
		40				5040 ***				
		41,3				5041,3 ***				
		42				5042 ***				
6S	4	37,8		1		6037,8 ***	115 4.53	90 3.54	87 3.43	45 1.77
		38	1-1/2			6038 ***				
		42				6042 ***				
		44,5	1-3/4			6044,5 ***				
		48,3				6048,3 ***				
		48,4		1-1/4		6048,4 ***				
		50,8	2			6050,8 ***				
		54,4		1-1/2		6054,4 ***				
		55				6055 ***				
		57				6057 ***				
		57,2	2-1/4			6057,2 ***				
		60,3				6060,3 ***				
		63,5	2-1/2			6063,5 ***				
		65				6065 ***				
70	2-3/4			6070 ***						

Additional outside diameters are available upon request. Please consult STAUFF for further information.

Clamp Body with Rubber Insert
Type RI


Group	STAUFF	DIN	Outside Diameter		Order Codes (**R = Clamp Body Material)			Dimensions				
			Pipe / Tube / Hose	Ø D	Clamp Assembly (Clamp Body + Rubber Insert)	Clamp Body (2 Clamp Halves)	Rubber Insert *	Ø D1	L1	L2	H	Width
4S	2	6		4006 **R	4S **R	RI 06 (4+4S)	25	70	45	46,5	30,5	
		8	5/16	4008 **R		RI 08 (4+4S)						
		10		4010 **R		RI 10 (4+4S)						
		12		4012 **R		RI 12 (4+4S)						
		12,7	1/2	4012,7 **R		RI 12,7 (4+4S)						
		14		4014 **R		RI 14 (4+4S)						
		15		4015 **R		RI 15 (4+4S)						
		16	5/8	4016 **R		RI 16 (4+4S)						
		17,2		4017,2 **R		RI 17,2 (4+4S)						
		18		4018 **R		RI 18 (4+4S)						
19	3/4	4019 **R	RI 19 (4+4S)									
5S	3	20		5020 **R	5S **R	RI 20 (6+5S)	38	85	60	58	30,5	
		21,3		5021,3 **R		RI 21,3 (6+5S)						
		22	7/8	5022 **R		RI 22 (6+5S)						
		25		5025 **R		RI 25 (6+5S)						
		26,9		5026,9 **R		RI 26,9 (6+5S)						
		28		5028 **R		RI 28 (6+5S)						
		30		5030 **R		RI 30 (6+5S)						
		32	1-1/4	5032 **R		RI 32 (6+5S)						
		32	1-1/4	6032 **R		RI 32 (6S)						
		33,7		6033,7 **R		RI 33,7 (6S)						
35		6035 **R	RI 35 (6S)									
38,7		6038,7 **R	RI 38,7 (6S)									
40		6040 **R	RI 40 (6S)									
42		6042 **R	RI 42 (6S)									
45,5		6045,5 **R	RI 45,5 (6S)									
48		6048 **R	RI 48 (6S)									
51	2	6051 **R	RI 51 (6S)									
53,4		6053,4 **R	RI 53,4 (6S)									
56,4		6056,4 **R	RI 56,4 (6S)									
7S	5	55		7055 **R	7S **R	RI 55 (7S)	88	154	122	120	60	
		57	2-1/4	7057 **R		RI 57 (7S)						
		60		7060 **R		RI 60 (7S)						
		63,5	2-1/2	7063,5 **R		RI 63,5 (7S)						
		65		7065 **R		RI 65 (7S)						
		70	2-3/4	7070 **R		RI 70 (7S)						
		72		7072 **R		RI 72 (7S)						
		76	3	7076 **R		RI 76 (7S)						
8S	6	80		8080 **R	8S **R	RI 80 (8S)	114	208	168	168	80	
		88,9	3-1/2	8088,9 **R		RI 88,9 (8S)						
		102		8102 **R		RI 102 (8S)						
		114		9114 **R		RI 114 (9S)						
9S	7	133	5-1/4	9133 **R	9S **R	RI 133 (9S)	150	251	205	200	91	
		140		9140 **R		RI 140 (9S)						
		150		10150 **R		RI 150 (10S)						
10S	8	165		10165 **R	10S **R	RI 165 (10S)	200	336	265	270	120	
		168		10168 **R		RI 168 (10S)						
		172		10172 **R		RI 172 (10S)						
		172		10172 **R		RI 172 (10S)						

Order Codes

 Clamp Assembly ***4*006*PPR**

One assembly is consisting of one clamp body and one insert.

- * 1st part of STAUFF Group **4**
- * Exact outside diameter Ø D (mm) **006**
- * Material code (see below) **PPR**

 Clamp Body ***4S*PPR**

One clamp body is consisting of two clamp halves.

- * STAUFF Group **4S**
- * Material code (see below) **PPR**

 Rubber Insert ***RI*06*(4+4S)**

- * Rubber Insert **RI**
- * Exact outside diameter Ø D (mm) **06**
- * STAUFF Group 4S (Heavy) and 4 (Standard) **(4+4S)**
- 5S (Heavy) and 6 (Standard) **(6+5S)**
- 6S (Heavy) **(6S)**
- 7S (Heavy) **(7S)**
- 8S (Heavy) **(8S)**
- 9S (Heavy) **(9S)**
- 10S (Heavy) **(10S)**

Standard Materials

Polypropylene
Colour: Black
Material code: **PPR**

Polyamide
Colour: Black
Material code: **PAR**

Rubber Insert
4S to 6S: **Thermoplastic Elastomer** (73 Shore-A)
7S to 10S: **Elastomer** (70 Shore-A)
Colour: Black

See page A86 for properties and technical information.

Special Materials

Please consult STAUFF for further details on fire-proof and corrosion preventing clamp body materials, tested and approved according to several international fire-protection standards.

See page A87 for properties and technical information.

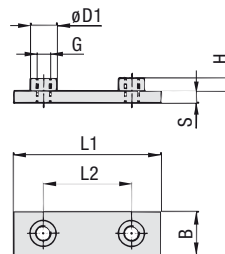
Product Features

- Proven, tested and trusted product in various markets
- Either for the extra vibration/noise reducing installation of pipes and tubes or the extra gentle installation of hoses and cables
- Available for all commonly used outside diameters
- Excellent weathering resistance, even under extreme conditions

Additional outside diameters are available upon request. Please consult STAUFF for further information.

 * Rubber Inserts for Heavy Series clamp bodies, STAUFF Group 4S also fit into Standard Series clamp bodies, STAUFF Group 4.
 Rubber Inserts for Heavy Series clamp bodies, STAUFF Group 5S also fit into Standard Series clamp bodies, STAUFF Group 6.

Weld Plate for Single Clamps
Type SPAL

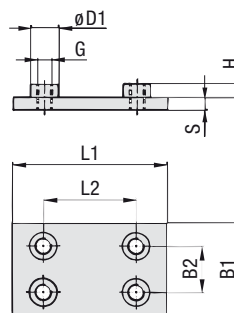


Order Codes	
Weld Plate	*SPAL*3S*M*W2
* Weld Plate for Single Clamps	SPAL
* STAUFF Group	3S
* Thread code	Metric ISO thread M Unified coarse (UNC) thread U
* Material code	Carbon Steel, untreated W1 Carbon Steel, phosphated W2 Carbon Steel, zinc/nickel-plated W3 Stainless Steel V2A W4 1.4301 / 1.4305 (AISI 304 / 303) Stainless Steel V4A W5 1.4401 / 1.4571 (AISI 316 / 316 Ti)

Group	STAUFF	DIN	Dimensions (mm/m)					Thread G	ØD1	Order Codes (Standard Options)
			L1	L2	B	S	H			
3S	1	1	74	33	30	8	8	M10	18	SPAL 3S M W2
			2.91	1.30	1.18	.31	.31	3/8-16 UNC	.71	SPAL 3S U W2
4S	2	2	86	45	30	8	8	M10	18	SPAL 4S M W2
			3.39	1.77	1.18	.31	.31	3/8-16 UNC	.71	SPAL 4S U W2
5S	3	3	100	60	30	8	8	M10	18	SPAL 5S M W2
			3.94	2.36	1.18	.31	.31	3/8-16 UNC	.71	SPAL 5S U W2
6S	4	4	140	90	45	10	8	M12	20	SPAL 6S M W2
			5.51	3.54	1.77	.39	.31	7/16-14 UNC	.78	SPAL 6S U W2
7S	5	5	180	122	60	10	12	M16	24	SPAL 7S M W2
			7.09	4.80	2.36	.39	.47	5/8-11 UNC	.94	SPAL 7S U W2
8S	6	6	226	168	80	15	18	M20	30	SPAL 8S M W1
			8.90	6.61	3.15	.59	.71	3/4-10 UNC	1.18	SPAL 8S U W1
9S	7	7	270	205	90	15	21	M24	35	SPAL 9S M W1
			10.63	8.07	3.54	.59	.83	7/8-9 UNC	1.38	SPAL 9S U W1
10S	8	8	340	265	120	25	21	M30	45	SPAL 10S M W1
			13.39	10.43	4.72	.98	.83	1-1/8-7 UNC	1.77	SPAL 10S U W1
11S	9	9	520	395	160	30	38	M30	50	SPAL 11S M W1
			20.47	15.55	6.30	1.18	1.50	1-1/4-7 UNC	1.97	SPAL 11S U W1
12S	10	10	680	534	180	30	38	M30	50	SPAL 12S M W1
			27.16	21.02	7.09	1.18	1.50	1-1/4-7 UNC	1.97	SPAL 12S U W1

All threaded parts are available with Metric ISO thread or unified coarse (UNC) thread according to dimension table. Alternative materials and surface finishings are available upon request. Consult STAUFF for further information.

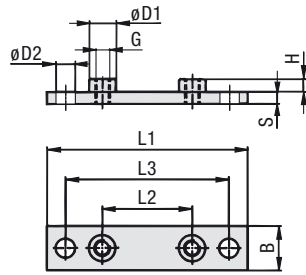
Weld Plate for Double Clamps
Type SPAS



Order Codes	
Weld Plate	*SPAS*3S*M*W2
* Weld Plate for Double Clamps	SPAS
* STAUFF Group	3S
* Thread code	Metric ISO thread M Unified coarse (UNC) thread U
* Material code	Carbon Steel, untreated W1 Carbon Steel, phosphated W2 Carbon Steel, zinc/nickel-plated W3 Stainless Steel V2A W4 1.4301 / 1.4305 (AISI 304 / 303) Stainless Steel V4A W5 1.4401 / 1.4571 (AISI 316 / 316 Ti)

Group	STAUFF	DIN	Dimensions (mm/m)					Thread G	ØD1	Order Codes (Standard Options)	
			L1	L2	B1	B2	S				
3S	1	1	74	33	60	30,5	8	8	M10	18	SPAS 3S M W2
			2.91	1.30	2.36	1.20	.31	.31	3/8-16 UNC	.71	SPAS 3S U W2
4S	2	2	86	45	60	30,5	8	8	M10	18	SPAS 4S M W2
			3.39	1.77	2.36	1.20	.31	.31	3/8-16 UNC	.71	SPAS 4S U W2
5S	3	3	100	60	60	30,5	8	8	M10	18	SPAS 5S M W2
			3.94	2.36	2.36	1.20	.31	.31	3/8-16 UNC	.71	SPAS 5S U W2
6S	4	4	140	90	90	46	10	8	M12	20	SPAS 6S M W2
			5.51	3.54	3.54	1.81	.39	.31	7/16-14 UNC	.78	SPAS 6S U W2
7S	5	5	180	122	120	61	10	12	M16	24	SPAS 7S M W2
			7.09	4.80	4.72	2.40	.39	.47	5/8-11 UNC	.94	SPAS 7S U W2
8S	6	6	226	168	160	81	15	18	M20	30	SPAS 8S M W1
			8.90	6.61	6.61	3.19	.59	.71	3/4-10 UNC	1.18	SPAS 8S U W1
9S	7	7	270	205	180	91	15	21	M24	35	SPAS 9S M W1
			10.63	8.07	7.09	3.58	.59	.83	7/8-9 UNC	1.38	SPAS 9S U W1
10S	8	8	340	265	240	121	25	21	M30	45	SPAS 10S M W1
			13.39	10.43	9.45	4.78	.98	.83	1-1/8-7 UNC	1.77	SPAS 10S U W1
11S	9	9	520	395	324	166	30	38	M30	50	SPAS 11S M W1
			20.47	15.55	12.76	6.54	1.18	1.50	1-1/4-7 UNC	1.97	SPAS 11S U W1
12S	10	10	680	534	364	186	30	38	M30	50	SPAS 12S M W1
			27.16	21.02	14.33	7.32	1.18	1.50	1-1/4-7 UNC	1.97	SPAS 12S U W1

All threaded parts are available with Metric ISO thread or unified coarse (UNC) thread according to dimension table. Alternative materials and surface finishings are available upon request. Consult STAUFF for further information.



Elongated Weld Plate for Single Clamps Type SPAL/DUEB


 STAUFF
Clamps
A

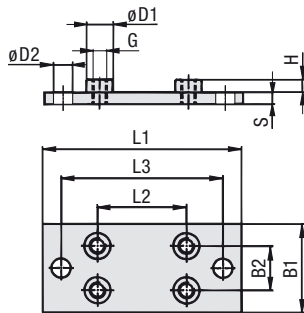
Group STAUFF	DIN	Dimensions (mm/m)								Order Codes (Standard Options)	
		L1	L2	L3	B	S	H	Thread G	$\varnothing D1$	$\varnothing D2$	
3S	1	113	33	85	30	8	8	M10	18	13	SPAL/DUEB 3S M W2
		4.45	1.30	3.35	1.18	.31	.31	3/8-16 UNC	.71	.51	SPAL/DUEB 3S U W2
4S	2	125	45	97	30	8	8	M10	18	13	SPAL/DUEB 4S M W2
		4.92	1.77	3.82	1.18	.31	.31	3/8-16 UNC	.71	.51	SPAL/DUEB 4S U W2
5S	3	140	60	112	30	8	8	M10	18	13	SPAL/DUEB 5S M W2
		5.51	2.36	4.41	1.18	.31	.31	3/8-16 UNC	.71	.51	SPAL/DUEB 5S U W2
6S	4	187	90	155	45	10	8	M12	20	16	SPAL/DUEB 6S M W2
		7.36	3.54	6.10	1.77	.39	.31	7/16-14 UNC	.78	.62	SPAL/DUEB 6S U W2
7S	5	238	122	198	60	10	12	M16	24	21	SPAL/DUEB 7S M W2
		9.37	4.80	7.80	2.36	.39	.47	5/8-11 UNC	.94	.83	SPAL/DUEB 7S U W2
8S	6	309	168	259	80	15	18	M20	30	26	SPAL/DUEB 8S M W1
		12.17	6.61	10.20	3.15	.59	.71	3/4-10 UNC	1.18	1.02	SPAL/DUEB 8S U W1
9S	7	370	205	310	90	15	21	M24	35	31	SPAL/DUEB 9S M W1
		14.57	8.07	12.20	3.54	.59	.83	7/8-9 UNC	1.38	1.22	SPAL/DUEB 9S U W1
10S	8	440	265	380	120	25	21	M30	45	31	SPAL/DUEB 10S M W1
		17.32	10.43	14.96	4.72	.98	.83	1-1/8-7 UNC	1.77	1.22	SPAL/DUEB 10S U W1
11S	9	590	395	530	160	30	38	M30	50	31	SPAL/DUEB 11S M W1
		23.23	15.55	20.87	6.30	1.18	1.50	1-1/4-7 UNC	1.97	1.22	SPAL/DUEB 11S U W1
12S	10	750	534	690	180	30	38	M30	50	31	SPAL/DUEB 12S M W1
		29.53	21.02	27.17	7.09	1.18	1.50	1-1/4-7 UNC	1.97	1.22	SPAL/DUEB 12S U W1

Order Codes

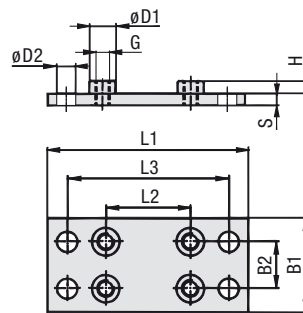
Weld Plate *SPAL/DUEB*3S*M*W2

- * Elongated Weld Plate for Single Clamps **SPAL/DUEB**
- * STAUFF Group **3S**
- * Thread code Metric ISO thread **M**
Unified coarse (UNC) thread **U**
- * Material code Carbon Steel, untreated **W1**
Carbon Steel, phosphated **W2**
Carbon Steel, zinc/nickel-plated **W3**
Stainless Steel V2A **W4**
1.4301 / 1.4305 (AISI 304 / 303) **W4**
Stainless Steel V4A **W5**
1.4401 / 1.4571 (AISI 316 / 316 Ti) **W5**

All threaded parts are available with Metric ISO thread or unified coarse (UNC) thread according to dimension table. Alternative materials and surface finishings are available upon request. Consult STAUFF for further information.



STAUFF Group 3S to 9S



STAUFF Group 10S to 12S

Elongated Weld Plate for Double Clamps Type SPAS/DUEB



Design for STAUFF Group 10S to 12S

Group STAUFF	DIN	Dimensions (mm/m)								Order Codes (Standard Options)		
		L1	L2	L3	B1	B2	S	H	Thread G	$\varnothing D1$	$\varnothing D2$	
3S	1	113	33	85	60	30.5	8	8	M10	18	13	SPAS/DUEB 3S M W2
		4.45	1.30	3.35	2.36	1.20	.31	.31	3/8-16 UNC	.71	.51	SPAS/DUEB 3S U W2
4S	2	125	45	97	60	30.5	8	8	M10	18	13	SPAS/DUEB 4S M W2
		4.92	1.77	3.82	2.36	1.20	.31	.31	3/8-16 UNC	.71	.51	SPAS/DUEB 4S U W2
5S	3	140	60	112	60	30.5	8	8	M10	18	13	SPAS/DUEB 5S M W2
		5.51	2.36	4.41	2.36	1.20	.31	.31	3/8-16 UNC	.71	.51	SPAS/DUEB 5S U W2
6S	4	187	90	155	90	46	10	8	M12	20	16	SPAS/DUEB 6S M W2
		7.36	3.54	6.10	3.54	1.81	.39	.31	7/16-14 UNC	.78	.62	SPAS/DUEB 6S U W2
7S	5	238	122	198	120	61	10	12	M16	24	21	SPAS/DUEB 7S M W2
		9.37	4.80	7.80	4.72	2.40	.39	.47	5/8-11 UNC	.94	.83	SPAS/DUEB 7S U W2
8S	6	309	168	259	160	81	15	18	M20	30	26	SPAS/DUEB 8S M W1
		12.17	6.61	10.20	6.61	3.19	.59	.71	3/4-10 UNC	1.18	1.02	SPAS/DUEB 8S U W1
9S	7	370	205	310	180	91	15	21	M24	35	31	SPAS/DUEB 9S M W1
		14.57	8.07	12.20	7.09	3.58	.59	.83	7/8-9 UNC	1.38	1.22	SPAS/DUEB 9S U W1
10S	8	440	265	380	240	121	25	21	M30	45	31	SPAS/DUEB 10S M W1
		17.32	10.43	14.96	9.45	4.78	.98	.83	1-1/8-7 UNC	1.77	1.22	SPAS/DUEB 10S U W1
11S	9	590	395	530	324	166	30	38	M30	50	31	SPAS/DUEB 11S M W1
		23.23	15.55	20.87	12.76	6.54	1.18	1.50	1-1/4-7 UNC	1.97	1.22	SPAS/DUEB 11S U W1
12S	10	750	534	690	364	186	30	38	M30	50	31	SPAS/DUEB 12S M W1
		29.53	21.02	27.17	14.33	7.32	1.18	1.50	1-1/4-7 UNC	1.97	1.22	SPAS/DUEB 12S U W1

Order Codes

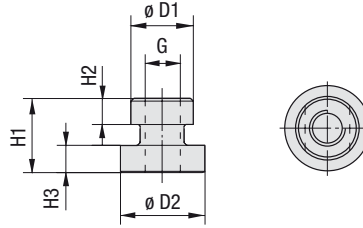
Weld Plate *SPAS/DUEB*3S*M*W2

- * Elongated Weld Plate for Double Clamps **SPAS/DUEB**
- * STAUFF Group **3S**
- * Thread code Metric ISO thread **M**
Unified coarse (UNC) thread **U**
- * Material code Carbon Steel, untreated **W1**
Carbon Steel, phosphated **W2**
Carbon Steel, zinc/nickel-plated **W3**
Stainless Steel V2A **W4**
1.4301 / 1.4305 (AISI 304 / 303) **W4**
Stainless Steel V4A **W5**
1.4401 / 1.4571 (AISI 316 / 316 Ti) **W5**

All threaded parts are available with Metric ISO thread or unified coarse (UNC) thread according to dimension table. Alternative materials and surface finishings are available upon request. Consult STAUFF for further information.

Mounting Rail Nut

Type **GMV** (for Use with Mounting Rail STSV)



Order Codes

Mounting Rail Nut ***GMV*3-5S*M*W3**

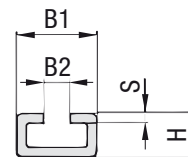
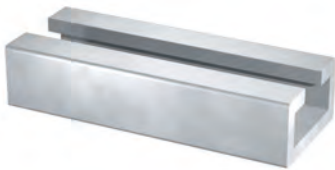
- * Mounting Rail Nut **GMV**
- * STAUFF Group 3S to 5S (DIN Group 1 to 3) **3-5S**
6S (DIN Group 4) **6S**
- * Thread code Metric ISO thread **M**
Unified coarse (UNC) thread **U**
- * Material code Carbon Steel, zinc/nickel-plated **W3**
Stainless Steel V2A **W4**
1.4301 / 1.4305 (AISI 304 / 303) **W4**
Stainless Steel V4A **W5**
1.4401 / 1.4571 (AISI 316 / 316 Ti) **W5**

Group STAUFF	DIN	Dimensions (mm / in)					Thread G	Order Codes (Standard Options)
		ØD1	ØD2	H1	H2	H3		
3S	1							
4S	2	17,8 .70	24 .94	21 .83	7,6 .30	7,4 .29	M10 3/8-16 UNC	GMV 3-5S M W3 GMV 3-5S U W3
5S	3							
6S	4	19,8 .78	24 .94	23 .91	8,8 .35	8,2 .32	M12 7/16-14 UNC	GMV 6S M W3 GMV 6S U W3

All threaded parts are available with Metric ISO thread or unified coarse (UNC) thread according to dimension table. Alternative materials and surface finishings are available upon request. Consult STAUFF for further information.

Mounting Rail

Type **STSV** (for Use with Mounting Rail Nut GMV)



Order Codes

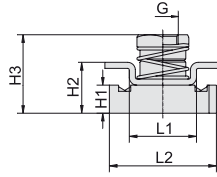
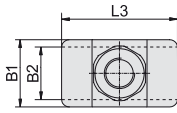
Mounting Rail ***STSV*1*W1**

- * Mounting Rail **STSV**
- * Length of rail 1 m / 3.28 ft **1**
2 m / 6.56 ft **2**
Alternative lengths available upon request. Consult STAUFF for further information.
- * Material code Carbon Steel, untreated **W1**
Carbon Steel, zinc/nickel-plated **W3**
Stainless Steel V4A **W5**
1.4401 / 1.4571 (AISI 316 / 316 Ti) **W5**

Group STAUFF	DIN	Dimensions (mm / in)				Order Codes (Standard Options)	
		B1	B2	H	S	Length of Rail: 1 m / 3.28ft	Length of Rail: 2 m / 6.56ft
3S	1						
4S	2						
5S	3	40 1.57	13 .39	22 .86	5 .19	STSV 1 W1	STSV 2 W1
6S	4						

Alternative materials and surface finishings are available upon request. Consult STAUFF for further information.

Channel Rail Adaptor (for Use with Various Channel Rails) Type CRA



Group STAUFF	DIN	Dimensions (mm/m)									Order Codes (Standard Options)	
		Thread G	L1	L2	L3	B1	B2	H1	H2	H3		
3S	1											
4S	2	M10	22	35	38	22	20,5	9,2	16,7	27,5	CRA 3-5S M W3 CRA 3-5S U W3	
		3/8-16 UNC	.87	1.38	1.50	.87	.81	.36	.66	1.08		
5S	3											
6S	4	M12	21,5	35	45	25	19	9,2	15,2	27,5	CRA 6S M W3 CRA 6S U W3	
		7/16-14 UNC	.85	1.38	1.77	.98	.75	.36	.60	1.08		

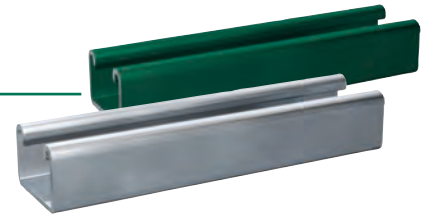
Order Codes

Adaptor

***CRA*3-5S*M*W3**

* Channel Rail Adaptor	CRA
* STAUFF Group	3S to 5S (DIN Group 1 to 3) 6S (DIN Group 4)
* Thread code	Metric ISO thread Unified coarse (UNC) thread
* Material code	Carbon Steel, zinc/nickel-plated Stainless Steel V4A 1.4401 / 1.4571 (AISI 316 / 316 Ti)

All threaded parts are available with Metric ISO thread or unified coarse (UNC) thread according to dimension table. Alternative materials and surface finishings are available upon request. Consult STAUFF for further information.



Compatibility with Channel Rails

The STAUFF Channel Rail Adaptor, type CRA is suitable for various channel rails, including the following types:

HALFEN	HILTI	UNISTRUT®	STAUFF (Cushion Clamp Series)
HM 41/41	MQ-21, MQ-41, MQ-52, MQ-72	P1000, P1000T, P1000V, P1000VT, P1001	SCS-048-1-PL, SCS-048-1-GR
HZA 41/22	MQ-21U, MQ-41U, MQ-72U	P2000, P2000T	SCS-120-1-PL, SCS-120-1-GR
HZM 41/41	MQ-21D, MQ-41D, MQ-52-72D	P3003, P3003T, P3300V, P3300VT, P3301	See page A83 for technical information.
HZM 41/22		P4000, P4000T	
HL 41/41, HL 41/B2		P5000, P5000T, P5001, P5500, P5500T, P5501	

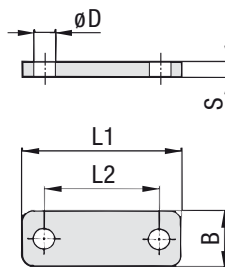
Consult STAUFF to check compatibility with additional types of channel rails.

Recommended Bolt Lengths when using the Channel Rail Adaptor, Type CRA

Group STAUFF	DIN	Hexagon Head Bolts AS (used with Cover Plates DPAL or DPAS)		Socket Cap Screws IS (used without Cover Plates DPAL or DPAS)	
		Metric ISO thread	Unified coarse (UNC) thread	Metric ISO thread	Unified coarse (UNC) thread
3S	1	M10 x 40	3/8-16 UNC x 1-1/2	M10 x 25	3/8-16 UNC x 1
4S	2	M10 x 55	3/8-16 UNC x 2-1/4	M10 x 40	3/8-16 UNC x 1-1/2
5S	3	M10 x 65	3/8-16 UNC x 2-3/4	M10 x 50	3/8-16 UNC x 2
6S	4	M12 x 100	7/16-14 UNC x 3-3/4	M12 x 75	7/16-14 UNC x 3

Clamp assemblies including Channel Rail Adaptors, type CRA are supplied with the recommended bolt lengths by default. See page A37 for further information on ordering.

**Cover Plate for Single Clamps
Type DPAL**



Order Codes

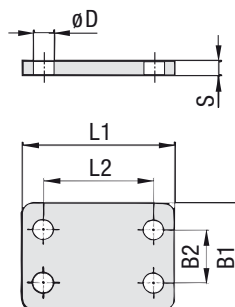
Cover Plate ***DPAL*3S*W2**

- * Cover Plate for Single Clamps **DPAL**
- * STAUFF Group **3S**
- * Material code
 - Carbon Steel, untreated **W1**
 - Carbon Steel, phosphated **W2**
 - Carbon Steel, zinc/nickel-plated **W3**
 - Stainless Steel V2A **W4**
 - 1.4301 / 1.4305 (AISI 304 / 303)
 - Stainless Steel V4A **W5**
 - 1.4401 / 1.4571 (AISI 316 / 316 Ti)

Group STAUFF	DIN	Dimensions (mm/m)					Order Codes (Standard Options)
		L1	L2	B	S	ØD	
3S	1	55	33	30	8	11	DPAL 3S W2
		2.16	1.30	1.18	.31	.43	
4S	2	70	45	30	8	11	DPAL 4S W2
		2.76	1.77	1.18	.31	.43	
5S	3	85	60	30	8	11	DPAL 5S W2
		3.35	2.36	1.18	.31	.43	
6S	4	115	90	45	10	14	DPAL 6S W2
		4.53	3.54	1.77	.39	.55	
7S	5	152	122	60	10	19	DPAL 7S W2
		5.98	4.80	2.36	.39	.75	
8S	6	206	168	80	15	22	DPAL 8S W1
		8.11	6.61	3.15	.59	.87	
9S	7	251	205	90	15	26	DPAL 9S W1
		9.88	8.07	3.54	.59	1.02	
10S	8	320	265	120	25	35	DPAL 10S W1
		12.60	10.43	4.72	.98	1.38	
11S	9	470	395	160	30	35	DPAL 11S W1
		18.50	15.55	6.30	1.18	1.38	
12S	10	630	534	180	30	35	DPAL 12S W1
		24.80	21.02	7.09	1.18	1.38	

Alternative materials and surface finishings are available upon request. Consult STAUFF for further information.

**Cover Plate for Double Clamps
Type DPAS**



Order Codes

Cover Plate ***DPAS*3S*W2**

- * Cover Plate for Double Clamps **DPAS**
- * STAUFF Group **3S**
- * Material code
 - Carbon Steel, untreated **W1**
 - Carbon Steel, phosphated **W2**
 - Carbon Steel, zinc/nickel-plated **W3**
 - Stainless Steel V2A **W4**
 - 1.4301 / 1.4305 (AISI 304 / 303)
 - Stainless Steel V4A **W5**
 - 1.4401 / 1.4571 (AISI 316 / 316 Ti)

Group STAUFF	DIN	Dimensions (mm/m)					Order Codes (Standard Options)	
		L1	L2	B1	B2	S		ØD
3S	1	55	33	60	30,5	8	11	DPAS 3S W2
		2.16	1.30	2.36	1.20	.31	.43	
4S	2	70	45	60	30,5	8	11	DPAS 4S W2
		2.76	1.77	2.36	1.20	.31	.43	
5S	3	85	60	60	30,5	8	11	DPAS 5S W2
		3.35	2.36	2.36	1.20	.31	.43	
6S	4	115	90	90	46	10	14	DPAS 6S W2
		4.53	3.54	3.54	1.81	.39	.55	
7S	5	152	122	120	61	10	19	DPAS 7S W2
		5.98	4.80	4.72	2.40	.39	.75	
8S	6	206	168	160	81	15	22	DPAS 8S W1
		8.11	6.61	6.61	3.19	.59	.87	
9S	7	251	205	180	91	15	26	DPAS 9S W1
		9.88	8.07	7.09	3.58	.59	1.02	
10S	8	320	265	240	121	25	35	DPAS 10S W1
		12.60	10.43	9.45	4.78	.98	1.38	
11S	9	470	395	321	166	30	35	DPAS 11S W1
		18.50	15.55	12.64	6.54	1.18	1.38	
12S	10	630	534	361	186	30	35	DPAS 12S W1
		24.80	21.02	14.21	7.32	1.18	1.38	

Alternative materials and surface finishings are available upon request. Consult STAUFF for further information.

Hexagon Head Bolt Type AS


Hexagon Head Bolt AS

(according to DIN 931 / 933 or ANSI / ASME B18.2.1.)

Dimensions applicable only when used with Cover Plates DPAL or DPAS



Group STAUFF	DIN	Dimensions (mm/in) Thread G x L	Order Codes (Standard Options)
3S	1	M10 x 45	AS 3S M W1
		3/8-16 UNC x 1-3/4	AS 3S U W3*
4S	2	M10 x 60	AS 4S M W1
		3/8-16 UNC x 2-1/4	AS 4S U W3*
5S	3	M10 x 70	AS 5S M W1
		3/8-16 UNC x 2-3/4	AS 5S U W3*
6S	4	M12 x 100	AS 6S M W1
		7/16-14 UNC x 4	AS 6S U W3*
7S	5	M16 x 130	AS 7S M W1
		5/8-11 UNC x 5-1/4	AS 7S U W3*
8S	6	M20 x 190	AS 8S M W1
		3/4-10 UNC x 7-1/2	AS 8S U W1
9S	7	M24 x 220	AS 9S M W1
		7/8-9 UNC x 8-3/4	AS 9S U W1
10S	8	M30 x 300	AS 10S M W1
		1-1/8-7 UNC x 12	AS 10S U W1
11S	9	M30 x 450	AS 11S M W1
		1-1/4-7 UNC x 17-1/2	AS 11S U W1
12S	10	M30 x 560	AS 12S M W1
		1-1/4-7 UNC x 22	AS 12S U W1

Order Codes

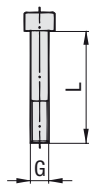
Hexagon Head Bolt *AS*3S*M*W1

* Type of bolt	Hexagon Head Bolt (according to DIN 931 / 933 or ANSI / ASME B18.2.1.)	AS
* STAUFF Group		3S
* Thread code	Metric ISO thread	M
	Unified coarse (UNC) thread	U
* Material code	Carbon Steel, untreated	W1
	Carbon Steel, zinc/nickel-plated	W3
	Stainless Steel V2A	W4
	1.4301 / 1.4305 (AISI 304 / 303)	
	Stainless Steel V4A	W5
1.4401 / 1.4571 (AISI 316 / 316 Ti)		

* Standard finishing option for Heavy Series group sizes 3S to 7S in North America is W3 (Carbon Steel, zinc/nickel-plated).

All threaded parts are available with Metric ISO thread or unified coarse (UNC) thread according to dimension table. Alternative materials and surface finishings are available upon request. Consult STAUFF for further information.

Socket Cap Screw Type IS


Socket Cap Screw IS

(according to ISO 4762 or ANSI / ASME B18.3)

Dimensions applicable only when used without Cover Plates



Group STAUFF	DIN	Dimensions (mm/in) Thread G x L	Order Codes (Standard Options)
3S	1	M10 x 30	IS 3S M W1
		3/8-16 UNC x 1-3/4	IS 3S U W3*
4S	2	M10 x 40	IS 4S M W1
		3/8-16 UNC x 2-1/4	IS 4S U W3*
5S	3	M10 x 50	IS 5S M W1
		3/8-16 UNC x 2-3/4	IS 5S U W3*
6S	4	M12 x 80	IS 6S M W1
		7/16-14 UNC x 4	IS 6S U W3*

Order Codes

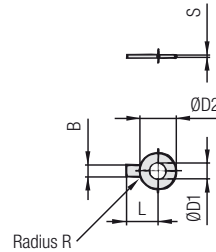
Socket Cap Screw *IS*3S*M*W1

* Type of Bolt	Socket Cap Screw (according to ISO 4762 or ANSI / ASME B18.3)	IS
* STAUFF Group		3S
* Thread code	Metric ISO thread	M
	Unified coarse (UNC) thread	U
* Material code	Carbon Steel, untreated	W1
	Carbon Steel, zinc/nickel-plated	W3
	Stainless Steel V2A	W4
	1.4301 / 1.4305 (AISI 304 / 303)	
	Stainless Steel V4A	W5
1.4401 / 1.4571 (AISI 316 / 316 Ti)		

All threaded parts are available with Metric ISO thread or unified coarse (UNC) thread according to dimension table. Alternative materials and surface finishings are available upon request. Consult STAUFF for further information.

* Standard finishing option in North America is W3 (Carbon Steel, zinc/nickel-plated).

Safety Washer
Type SI (DIN 93)



Safety Washer SI (according to DIN 93)

Order Codes

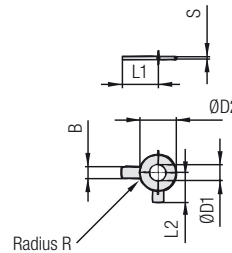
Safety Washer *SI*10,5*DIN 93*W3

- * Safety Washer **SI**
- * Exact inner diameter ØD1 (mm) **10,5**
- * Type of washer Safety washer with 1 tab (according to DIN 93) **DIN 93**
- * Material code Carbon Steel, zinc/nickel-plated **W3**

Group STAUFF	DIN	Dimensions (mm / in)						Order Codes (Standard Options)
		ØD1	B	ØD2	L	R	S	
3S	1	10,5	10	26	22	4	0,75	SI 10,5 DIN 93 W3
		.41	.39	1.02	.87	.16	.03	
4S	2	10,5	10	26	22	4	1	SI 10,5 DIN 93 W3
		.41	.39	1.02	.87	.16	.04	
5S	3	10,5	10	26	22	4	1	SI 10,5 DIN 93 W3
		.41	.39	1.02	.87	.16	.04	
6S	4	13	12	30	28	6	1	SI 13 DIN 93 W3
		.51	.47	1.18	1.10	.24	.04	
7S	5	17	15	36	32	6	1	SI 17 DIN 93 W3
		.67	.59	1.42	1.26	.24	.04	
8S	6	21	18	42	36	6	1	SI 21 DIN 93 W3
		.83	.71	1.65	1.42	.24	.04	
9S	7	25	20	50	42	6	1	SI 25 DIN 93 W3
		.98	.79	1.97	1.65	.24	.04	
10S	8	31	26	63	52	10	1,6	SI 31 DIN 93 W3
		1.22	1.02	2.48	2.05	.39	.06	
11S	9	31	26	63	52	10	1,6	SI 31 DIN 93 W3
		1.22	1.02	2.48	2.05	.39	.06	
12S	10	31	26	63	52	10	1,6	SI 31 DIN 93 W3
		1.22	1.02	2.48	2.05	.39	.06	

Safety Washers, type SI are used as locking devices to prevent Hexagon Head Bolts, type AS from loosening. Alternative materials and surface finishings are available upon request. Consult STAUFF for further information.

Safety Washer
Type SI (DIN 463)



Safety Washer SI (according to DIN 463)

Order Codes

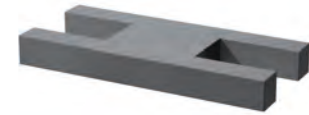
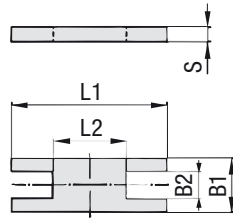
Safety Washer *SI*10,5*DIN 463*W3

- * Safety Washer **SI**
- * Exact inner diameter ØD1 (mm) **10,5**
- * Type of washer Safety washer with 2 tabs (according to DIN 463) **DIN 463**
- * Material code Carbon Steel, zinc/nickel-plated **W3**

Group STAUFF	DIN	Dimensions (mm / in)							Order Codes (Standard Options)
		ØD1	B	ØD2	L1	L2	R	S	
3S	1	10,5	10	21	22	13	4	0,75	SI 10,5 DIN 463 W3
		.41	.39	.83	.87	.51	.16	.03	
4S	2	10,5	10	21	22	13	4	1	SI 10,5 DIN 463 W3
		.41	.39	.83	.87	.51	.16	.04	
5S	3	10,5	10	21	22	13	4	1	SI 10,5 DIN 463 W3
		.41	.39	.83	.87	.51	.16	.04	
6S	4	13	12	24	28	15	6	1	SI 13 DIN 463 W3
		.51	.47	.94	1.10	.59	.24	.04	
7S	5	17	15	30	32	18	6	1	SI 17 DIN 463 W3
		.67	.59	1.18	1.26	.71	.24	.04	
8S	6	21	18	37	36	21	6	1	SI 21 DIN 463 W3
		.83	.71	1.46	1.42	.83	.24	.04	
9S	7	25	20	44	42	25	6	1	SI 25 DIN 463 W3
		.98	.79	1.73	1.65	.98	.24	.04	
10S	8	31	26	56	52	32	10	1,6	SI 31 DIN 463 W3
		1.22	1.02	2.20	2.05	1.26	.39	.06	
11S	9	31	26	56	52	32	10	1,6	SI 31 DIN 463 W3
		1.22	1.02	2.20	2.05	1.26	.39	.06	
12S	10	31	26	56	52	32	10	1,6	SI 31 DIN 463 W3
		1.22	1.02	2.20	2.05	1.26	.39	.06	

Safety Washers, type SI are used as locking devices to prevent Hexagon Head Bolts, type AS from loosening. Alternative materials and surface finishings are available upon request. Consult STAUFF for further information.

Safety Locking Plate (for Use with Stacking Bolt AF) Type SIP



Group STAUFF	DIN	Dimensions (mm/in)					Order Codes (Standard Options)
		L1	L2	B1	B2	S	
3S	1	57	13	30	15,2	8	SIP 3S W2
		2.24	.51	1.18	.60	.31	
4S	2	70	26	30	15,2	8	SIP 4S W2
		2.76	1.02	1.18	.60	.31	
5S	3	85	40	30	15,2	8	SIP 5S W2
		3.35	1.57	1.18	.60	.31	
6S	4	116	68	45	17,2	10	SIP 6S W2
		4.57	2.68	1.77	.68	.39	
7S	5	153	96	60	22	10	SIP 7S W2
		6.02	3.78	2.36	.87	.39	
8S	6	206	130	80	28	15	SIP 8S W1
		8.11	5.12	3.15	1.10	.59	
9S	7	251	166	90	31	15	SIP 9S W1
		9.88	6.54	3.54	1.22	.59	
10S	8	317	205	120	49	25	SIP 10 S W1
		12.48	8.07	4.72	1.93	.98	

Order Codes

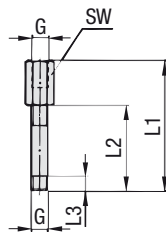
Safety Locking Plate

***SIP*3S*W2**

* Safety Locking Plate		SIP
* STAUFF Group		3S
* Material code	Carbon Steel, untreated	W1
	Carbon Steel, phosphated	W2
	Carbon Steel, zinc/nickel-plated	W3
	Stainless Steel V2A	W4
	1.4301 / 1.4305 (AISI 304 / 303)	W4
	Stainless Steel V4A	W5
	1.4401 / 1.4571 (AISI 316 / 316 Ti)	W5

Alternative materials and surface finishings are available upon request. Consult STAUFF for further information.

Stacking Bolt (for Use with Safety Locking Plate SIP) Type AF



Group STAUFF	DIN	Dimensions (mm/in)					Order Codes (Standard Options)
		L1	L2	L3 min.	Hex	Thread G	
3S	1	49	25	15	15	M10	AF 3S M W2
		1.93	.98	.59	.59	3/8-16 UNC	AF 3S U W3*
4S	2	65	40	15	15	M10	AF 4S M W2
		2.56	1.57	.59	.59	3/8-16 UNC	AF 4S U W3*
5S	3	77	51	15	15	M10	AF 5S M W2
		3.03	2.01	.59	.59	3/8-16 UNC	AF 5S U W3*
6S	4	110	82	18	17	M12	AF 6S M W2
		4.33	3.23	.71	.67	7/16-14 UNC	AF 6S U W3*
7S	5	144	110	24	21	M16	AF 7S M W2
		5.67	4.33	.94	.83	5/8-11 UNC	AF 7S U W3*
8S	6	200	150	30	27	M20	AF 8S M W2
		7.87	5.91	1.18	1.06	3/4-10 UNC	AF 8S U W1*
9S	7	240	180	50	30	M24	AF 9S M W2
		9.45	7.09	1.97	1.18	7/8-9 UNC	AF 9S U W1*
10S	8	331	256	62	46	M30	AF 10S M W2
		13.03	10.08	2.44	1.81	1-1/8-7 UNC	AF 10S U W1*

Order Codes

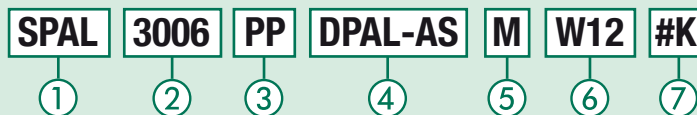
Stacking Bolt

***AF*3S*M*W2**

* Stacking Bolt		AF
* STAUFF Group		3S
* Thread code	Metric ISO thread	M
	Unified coarse (UNC) thread	U
* Material code	Carbon Steel, untreated	W1
	Carbon Steel, phosphated	W2
	Carbon Steel, zinc/nickel-plated	W3
	Stainless Steel V2A	W4
	1.4301 / 1.4305 (AISI 304 / 303)	W4
	Stainless Steel V4A	W5
	1.4401 / 1.4571 (AISI 316 / 316 Ti)	W5

All threaded parts are available with Metric ISO thread or unified coarse (UNC) thread according to dimension table. Alternative materials and surface finishings are available upon request. Consult STAUFF for further information.

* Standard finishing option for Heavy Series group sizes 3S to 7S in North America is W3 (Carbon Steel, zinc/nickel-plated). Standard finishing option for Heavy Series group sizes 8S to 10S in North America is W1 (Carbon Steel, untreated).



① Type of Installation

Please select the type of installation (e.g. Weld Plates, Rail Nuts, etc.) and add the corresponding Code to position ① of the order code for your clamp assembly.

Without Installation Equipment
Code: **none**

Installation on Weld Plate

Weld Plate for Single Clamps
Code: **SPAL**

Weld Plate for Double Clamps
Code: **SPAS**

Elongated Weld Plate for Single Clamps
Code: **SPAL/DUEB**

Elongated Weld Plate for Double Clamps
Code: **SPAS/DUEB**

Installation on Mounting / Channel Rail

Mounting Rail Nut
Code: **GMV** (for STAUFF Group 3S to 6S only)

Channel Rail Adaptor
Code: **CRA** (for STAUFF Group 3S to 6S only)

② Group Size & Diameter

Please select the required group size and diameter and add the corresponding Code to position ② of the order code for your clamp assembly.

Group STAUFF (DIN)	Outside Diameter P / T / H (mm)	Availability of Clamp Body Materials & Designs Profiled			Code
		Design	Type H	Type RI	
3S (1)	6	●	●	○	3006
	6,4	●	●	○	3006,4
	8	●	●	○	3008
	9,5	●	●	○	3009,5
	10	●	●	○	3010
	12	●	●	○	3012
	12,7	●	●	○	3012,7
	13,5	●	●	○	3013,5
	14	●	●	○	3014
	15	●	●	○	3015
	16	●	●	○	3016
	17,2	●	●	○	3017,2
18	●	●	○	3018	
20	●	○	○	3020	

② Group Size & Diameter
CONTINUATION

Group STAUFF (DIN)	Outside Diameter P / T / H (mm)	Availability of Clamp Body Materials & Designs Profiled			Code
		Design	Type H	Type RI	
4S (2)	6	○	○	●	4006
	8	○	○	●	4008
	10	○	○	●	4010
	12	○	○	●	4012
	12,7	○	○	●	4012,7
	14	○	○	●	4014
	15	○	●	●	4015
	16	○	○	●	4016
	17,2	○	○	●	4017,2
	18	○	○	●	4018
	19	●	●	●	4019
	19,8	○	●	○	4019,8
	20	●	●	○	4020
	21,3	●	●	○	4021,3
	22	●	●	○	4022
	22,1	○	●	○	4022,1
	25	●	●	○	4025
	25,1	○	●	○	4025,1
25,4	●	●	○	4025,4	
26,9	●	●	○	4026,9	
28	○	●	○	4028	
29,2	○	●	○	4029,2	
30	●	●	○	4030	
5S (3)	20	○	○	●	5020
	21,3	○	○	●	5021,3
	22	○	○	●	5022
	25	○	○	●	5025
	26,9	○	○	●	5026,9
	28	○	○	●	5028
	30	●	●	○	5030
	32	●	●	○	5032
	33,7	●	●	○	5033,7
	35	●	●	○	5035
	38	●	●	○	5038
	40	●	●	○	5040
41,3	●	●	○	5041,3	
42	●	●	○	5042	
6S (4)	32	○	○	●	6032
	33,7	○	○	●	6033,7
	35	○	○	●	6035
	37,8	○	●	○	6037,8
	38	●	●	○	6038
	38,7	○	○	●	6038,7
	40	○	○	●	6040
	42	●	●	●	6042
	44,5	●	●	○	6044,5
	45,5	○	○	●	6045,5
	48	○	○	●	6048
	48,3	●	●	○	6048,3
	48,4	○	●	○	6048,4
	50,8	●	●	○	6050,8
	51	○	○	●	6051
	53,4	○	○	●	6053,4
	54	●	○	○	6054
	54,4	○	●	○	6054,4

② Group Size & Diameter
CONTINUATION

Group STAUFF (DIN)	Outside Diameter P / T / H (mm)	Availability of Clamp Body Materials & Designs Profiled			Code	
		Design	Type H	Type RI		
6S (4)	55	●	●	○	6055	
	56,4	○	○	●	6056,4	
	57	●	●	○	6057	
	57,2	●	●	○	6057,2	
	60,3	●	●	○	6060,3	
	63,5	●	●	○	6063,5	
	65	●	●	○	6065	
	70	●	●	○	6070	
	7S (5)	55	○	○	●	7055
		57	○	○	●	7057
60		○	○	●	7060	
60,3		●	○	○	7060,3	
63,5		○	○	●	7063,5	
65		●	○	●	7065	
70		●	○	●	7070	
72		○	○	●	7072	
73		●	○	○	7073	
75		●	○	○	7075	
76	○	○	●	7076		
76,1	●	○	○	7076,1		
80	●	○	○	7080		
82,5	●	○	○	7082,5		
88,9	●	○	○	7088,9		
8S (6)	80	○	○	●	8080	
	88,9	●	○	●	8088,9	
	100	●	○	○	8100	
	102	●	○	●	8102	
	108	●	○	○	8108	
	114	●	○	○	8114	
	127	●	○	○	8127	
	133	●	○	○	8133	
	9S (7)	114	○	○	●	9114
		127	●	○	○	9127
133		●	○	●	9133	
140		●	○	●	9140	
152		●	○	○	9152	
159		●	○	○	9159	
165		●	○	○	9165	
168	●	○	○	9168		
10S (8)	150	○	○	●	10150	
	165	○	○	●	10165	
	168	●	○	●	10168	
	172	○	○	●	10172	
	177,8	●	○	○	10177,8	
	193,7	●	○	○	10193,7	
	203	●	○	○	10203	
216	●	○	○	10216		
219	●	○	○	10219		
11S (9)	219	●	○	○	11219	
	273	●	○	○	11273	
12S (10)	324	●	○	○	11324	
	356	●	○	○	12356	
406	●	○	○	12406		

● Standard Option

Additional outside diameters are available upon request. Please consult STAUFF for further information.

Please see pages A38 and A39 with detailed order examples for some of the most popular Heavy Series clamp assemblies.

③ Clamp Body Design & Material

Please select the design and material of your clamp body and add the corresponding **Code** to position ③ of the order code for your clamp assembly.

Please check the availability of the selected clamp body design and material according to the matrix table in ②.

Profiled Design

Polypropylene
Code: **PP**

Polyamide
Code: **PA**

Thermoplastic Elastomer (87 Shore-A)
Code: **SA** (for STAUFF Group 3S to 6S only)

Aluminium
Code: **AL**

Type H (Smooth)

Polypropylene
Code: **PPH** (for STAUFF Group 3S to 6S only)

Polyamide
Code: **PAH** (for STAUFF Group 3S to 6S only)

Thermoplastic Elastomer (87 Shore-A)
Code: **SAH** (for STAUFF Group 3S to 6S only)

Type RI (with Rubber Insert)

Polypropylene
Code: **PPR** (for STAUFF Group 4S to 10S only)

Polyamide
Code: **PAR** (for STAUFF Group 4S to 10S only)

See page A86 for material properties and technical information.

Please consult STAUFF for further details on fire-proof and corrosion preventing clamp body materials, tested and approved according to several international fire-protection standards.

④ Mounting & Fitting Combination

Please select the mounting and fitting combination (e.g. bolts, screws, cover plates, etc.) and add the corresponding **Code** to position ④ of the order code for your clamp assembly.

Installation with Cover Plate and Bolts

Cover Plate for Single Clamps DPAL with Hexagon Head Bolts AS
Code: **DPAL-AS**

Cover Plate for Double Clamps DPAS with Hexagon Head Bolts AS
Code: **DPAS-AS**

Cover Plate for Single Clamps DPAL with Socket Cap Screws IS*
Code: **DPAL-IS** (for STAUFF Group 3S to 6S only)

Installation with Locking Plate and Bolts

Safety Locking Plate SIP with Stacking Bolts AF
Code: **SIP-AF**

Installation with Bolts only

Socket Cap Screws IS
Code: **IS**

* Special lengths of Socket Cap Screws IS required. For exact lengths, please see details of Hexagon Head Bolt, type AS (for use with Cover Plates DPAL or DPAS) on page A33.

⑤ Thread Type

Please select the required thread type and add the corresponding **Code** to position ⑤ of the order code for your clamp assembly.

Metric ISO thread
Code: **M**

Unified coarse (UNC) thread
Code: **U**

All threaded parts are available with Metric ISO thread or unified coarse (UNC) thread according to dimension table.

⑥ Material & Surface Finishing

Please select the required material & surface finishing of the metal parts and add the corresponding **Code** to position ⑥ of the order code for your clamp assembly.

Metal parts made of Carbon Steel, untreated **W1**

Metal parts made of Carbon Steel, phosphated **W2**

Metal parts made of Carbon Steel, zinc/nickel-plated **W3**

Metal parts made of Stainless Steel V2A 1.4301 / 1.4305 (AISI 304 / 303) **W4**

Metal parts made of Stainless Steel V4A 1.4401 / 1.4571 (AISI 316 / 316 Ti) **W5**

Weld Plate made of Carbon Steel, phosphated; Other metal parts made of Carbon Steel, zinc/nickel-plated **W10**

Weld Plate and Cover Plate made of Carbon Steel, phosphated; Bolts made of Carbon Steel, untreated **W12**

Mounting Rail Nuts made of Carbon Steel, zinc/nickel-plated; Cover Plate made of Carbon Steel, phosphated; Bolts made of Carbon Steel, untreated **W13**

Weld Plate / Cover Plate made of Carbon Steel, phosphated; Bolts made of Carbon Steel, zinc/nickel-plated **W15**

Mounting Rail Nuts made of Carbon Steel, zinc/nickel-plated; Cover Plate made of Carbon Steel, phosphated; Bolts made of Carbon Steel, zinc/nickel-plated **W16**

Safety Locking Plate made of Carbon Steel, phosphated; Bolts made of Carbon Steel, zinc/nickel-plated **W17**

Safety Locking Plate made of Carbon Steel, untreated; Bolts made of Carbon Steel, phosphated **W18**

Cover Plate made of Carbon Steel, phosphated; Bolts made of Carbon Steel, untreated **W19**

Individual combinations of alternative materials and surface finishings are available upon request. Consult STAUFF for further information.

⑦ Assembling & Kitting

If required, please select an additional assembling and kitting option and add the corresponding **Code** to the last position of the order code for your clamp assembly.

Components supplied separately
Code: **none** (standard option)

Components assembled
Code: **#A** (special option)

Components packed in kits
Code: **#K** (special option)



- 2x **Hexagon Head Bolt**
Surface: W1
Thread: Metric
- 1x **Cover Plate for Single Clamps**
Surface: W2
- 1x **Clamp Body** (two halves)
STAUFF Group 3S (DIN 1)
O.D. 6 mm / .24 in
Material: Polypropylene
Profiled inside surface with tension clearance
- 1x **Weld Plate for Single Clamps**
Surface: W2
Thread: Metric

Order Code

SPAL 3006 PP DPAL-AS M W12

W12 (STAUFF Group 3S to 7S) and W1 (STAUFF Group 8S to 12S) are the standard options for this type of installation.



- 4x **Hexagon Head Bolt**
Surface: W1
Thread: Metric
- 1x **Cover Plate for Double Clamps**
Surface: W2
- 2x **Clamp Body** (four halves)
STAUFF Group 3S (DIN 1)
O.D. 6 mm / .24 in
Material: Polypropylene
Profiled inside surface with tension clearance
- 1x **Weld Plate for Double Clamps**
Surface: W2
Thread: Metric

Order Code

SPAS 3006 PP DPAS-AS M W12

W12 (STAUFF Group 3S to 7S) and W1 (STAUFF Group 8S to 12S) are the standard options for this type of installation.



- 2x **Hexagon Head Bolt**
Surface: W1
Thread: Metric
- 1x **Cover Plate for Single Clamps**
Surface: W2
- 1x **Clamp Body** (two halves)
STAUFF Group 3S (DIN 1)
O.D. 6 mm / .24 in
Material: Polypropylene
Profiled inside surface with tension clearance
- 1x **Elongated Weld Plate for Single Clamps**
Surface: W2
Thread: Metric

Order Code

SPAL/DUEB 3006 PP DPAL-AS M W12

W12 (STAUFF Group 3S to 7S) and W1 (STAUFF Group 8S to 12S) are the standard options for this type of installation.



- 4x **Hexagon Head Bolt**
Surface: W1
Thread: Metric
- 1x **Cover Plate for Double Clamps**
Surface: W2
- 2x **Clamp Body** (four halves)
STAUFF Group 3S (DIN 1)
O.D. 6 mm / .24 in
Material: Polypropylene
Profiled inside surface with tension clearance
- 1x **Elongated Weld Plate for Double Clamps**
Surface: W2
Thread: Metric

Order Code

SPAS/DUEB 3006 PP DPAS-AS M W12

W12 (STAUFF Group 3S to 7S) and W1 (STAUFF Group 8S to 12S) are the standard options for this type of installation.



- 2x **Socket Cap Screw**
Surface: W1
Thread: Metric
- 1x **Clamp Body** (two halves)
STAUFF Group 3S (DIN 1)
O.D. 6 mm / .24 in
Material: Polypropylene
Profiled inside surface with tension clearance
- 1x **Weld Plate for Single Clamps**
Surface: W2
Thread: Metric

Order Code

SPAL 3006 PP IS M W12

W12 is the standard option for this type of installation. Available up to STAUFF Group 6S (DIN Group 4) only.



- 2x **Socket Cap Screw**
Surface: W1
Thread: Metric
- 1x **Clamp Body** (two halves)
STAUFF Group 3S (DIN 1)
O.D. 6 mm / .24 in
Material: Polypropylene
Profiled inside surface with tension clearance
- 1x **Elongated Weld Plate for Single Clamps**
Surface: W2
Thread: Metric

Order Code

SPAL/DUEB 3006 PP IS M W12

W12 is the standard option for this type of installation. Available up to STAUFF Group 6S (DIN Group 4) only.



- 2x **Hexagon Head Bolt**
Surface: W1
Thread: Metric
- 1x **Cover Plate for Single Clamps**
Surface: W2
- 1x **Clamp Body** (two halves)
STAUFF Group 3S (DIN 1)
O.D. 6 mm / .24 in
Material: Polypropylene
Profiled inside surface with tension clearance
- 2x **Mounting Rail Nut**
Surface: W3
Thread: Metric

Order Code (Mounting Rail STSV not included.)

GMV 3006 PP DPAL-AS M W13

W13 is the standard option for this type of installation.
Available up to STAUFF Group 6S (DIN Group 4) only.



- 2x **Socket Cap Screw**
Surface: W1
Thread: Metric
- 1x **Clamp Body** (two halves)
STAUFF Group 3S (DIN 1)
O.D. 6 mm / .24 in
Material: Polypropylene
Profiled inside surface with tension clearance
- 2x **Mounting Rail Nut**
Surface: W3
Thread: Metric

Order Code (Mounting Rail STSV not included.)

GMV 3006 PP IS M W13

W13 is the standard option for this type of installation.
Available up to STAUFF Group 6S (DIN Group 4) only.



- 2x **Hexagon Head Bolt**
Surface: W1
Thread: Metric
- 1x **Cover Plate for Single Clamps**
Surface: W2
- 1x **Clamp Body** (two halves)
STAUFF Group 3S (DIN 1)
O.D. 6 mm / .24 in
Material: Polypropylene
Profiled inside surface with tension clearance

Order Code

3006 PP DPAL-AS M W19

W19 (STAUFF Group 3S to 7S) and **W1** (STAUFF Group 8S to 12S) are the standard options for this type of installation.



- 2x **Stacking Bolt**
Surface: W2
Thread: Metric
- 1x **Safety Locking Plate**
Surface: W2
- 1x **Clamp Body** (two halves)
STAUFF Group 3S (DIN 1)
O.D. 6 mm / .24 in
Material: Polypropylene
Profiled inside surface with tension clearance

Order Code

3006 PP SIP-AF M W2

W2 (STAUFF Group 3S to 7S) and **W18** (STAUFF Group 8S to 10S) are the standard options for this type of installation. Available up to STAUFF Group 10S (DIN Group 8) only.

Thread codes

All threaded parts are available with Metric ISO thread or unified coarse (UNC) thread according to dimension table.

Metric ISO thread	M
Unified coarse (UNC) thread	U

Material codes

The below listed material codes describe the materials and surface finishings of metal parts that are most relevant for Heavy Series clamp assemblies. Individual combinations of alternative materials and surface finishings are available upon request. Consult STAUFF for further information.

Metal parts made of Carbon Steel, untreated	W1
Metal parts made of Carbon Steel, phosphated	W2
Metal parts made of Carbon Steel, zinc/nickel-plated	W3
Metal parts made of Stainless Steel V2A: 1.4301 / 1.4305 (AISI 304 / 303)	W4
Metal parts made of Stainless Steel V4A: 1.4401 / 1.4571 (AISI 316 / 316 Ti)	W5
Weld Plate made of Carbon Steel, phosphated; Other metal parts made of Carbon Steel, zinc/nickel-plated	W10
Weld Plate and Cover Plate made of Carbon Steel, phosphated; Bolts made of Carbon Steel, untreated	W12
Mounting Rails Nut made of Carbon Steel, zinc/nickel-plated; Cover Plate made of Carbon Steel, phosphated; Bolts made of Carbon Steel, untreated	W13
Weld Plate and Cover Plate made of Carbon Steel, phosphated; Bolts made of Carbon Steel, zinc/nickel-plated	W15
Mounting Rail Nuts made of Carbon Steel, zinc/nickel-plated; Cover Plate made of Carbon Steel, phosphated; Bolts made of Carbon Steel, zinc/nickel-plated	W16
Safety Locking Plate made of Carbon Steel, phosphated; Bolts made of Carbon Steel, zinc/nickel-plated	W17
Safety Locking Plate made of Carbon Steel, untreated; Bolts made of Carbon Steel, phosphated	W18
Cover Plate made of Carbon Steel, phosphated; Bolts made of Carbon Steel, untreated	W19

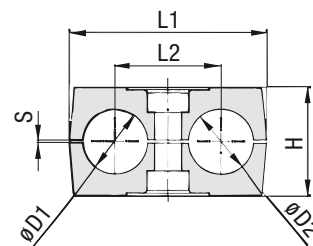
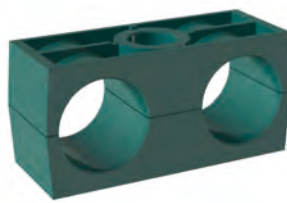
Clamp Body ▪ Profiled Design

Profiled Inside Surface with Tension Clearance



Clamp Body ▪ Type H

Smooth Inside Surface w/o Tension Clearance



Order Codes

Clamp Body

***1*06/06*PP**

One clamp body is consisting of two clamp halves.

- * 1st Part of STAUFF Group **1**
- * Exact outside diameters Ø D1 / Ø D2 (mm) **06/06**
- * Material code (see below) **PP**

Designs & Standard Materials



Polypropylene ▪ Profiled Design

Profiled inside surface with tension clearance

Colour: Green

Material code: **PP**



Polypropylene ▪ Type H

Smooth inside surface without tension clearance

Colour: Green

Material code: **PPH**



Polyamide ▪ Profiled Design

Profiled inside surface with tension clearance

Colour: Black

Material code: **PA**



Polyamide ▪ Type H

Smooth inside surface without tension clearance

Colour: Black

Material code: **PAH**

See page A86 for properties and technical information.

Special Materials

Please consult STAUFF for further details on fire-proof and corrosion preventing clamp body materials, tested and approved according to several international fire-protection standards.

See page A87 for properties and technical information.

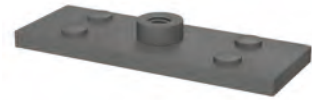
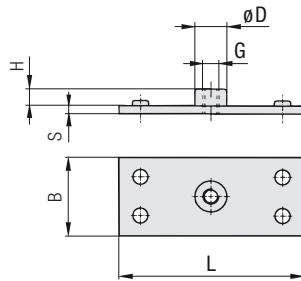
Product Features

- Proven, tested and trusted product in various markets
- Profiled design recommended for the safe installation of rigid pipes and tubes; type H recommended for the safe installation of hoses and cables
- Available for all commonly used pipe and tube outside diameters
- Environmental protection due to vibration/noise reducing design
- Excellent weathering resistance, even under extreme conditions

Group	STAUFF	DIN	Outside Diameter		Nominal Bore		Order Codes (2 Clamp Halves) (*** = Material)	Dimensions (mm/in)							
			Pipe / Tube / Hose Ø D1 / Ø D2 (mm) (in)		Pipe (in)	Copper Tube (in)		L1	L2	H	S min.	Type H H	Width		
1D	1	6					106/06 ***								
		6,4	1/4				106,4/06,4 ***								
		8	5/16				108/08 ***	36	20	27	0,6	26,5	30		
		9,5	3/8		1/4		109,5/09,5 ***	1.42	.79	1.06	.02	1.04	1.18		
		10		1/8			110/10 ***								
		12					112/12 ***								
2D	2	12,7	1/2		3/8		212,7/12,7 ***								
		13,5		1/4			213,5/13,5 ***								
		14					214/14 ***								
		15					215/15 ***	53	29	27	0,7	26,5	30		
		16	5/8		1/2		216/16 ***	2.09	1.14	1.06	.03	1.04	1.18		
		17,2		3/8			217,2/17,2 ***								
3D	3	19	3/4				319/19 ***								
		20					320/20 ***								
		21,3		1/2			321,3/21,3 ***	67	36	37	0,7	36,5	30		
		22			3/4		322/22 ***	2.64	1.42	1.46	.03	1.44	1.18		
		25					325/25 ***								
		25,4	1				325,4/25,4 ***								
4D	4	26,9		3/4			426,9/26,9 ***								
		28					428/28 ***	80	45	40	0,7	38	30		
		30					430/30 ***	3.15	1.77	1.57	.03	1.46	1.18		
5D	5	32	1-1/4				532/32 ***								
		33,7		1			533,7/33,7 ***								
		35			1-1/4		535/35 ***	106	56	53	0,7	52	30		
		38	1-1/2				538/38 ***	4.17	2.20	2.09	.03	2.04	1.18		
		40					540/40 ***								
		42		1-1/4			542/42 ***								

Additional outside diameters and combinations of different outside diameters are available upon request. Please consult STAUFF for further information.

Single Weld Plate Type SP



Group STAUFF	DIN	Dimensions (mm/in)						Thread G	Order Codes (Standard Options)
		L	B	S	H	ØD			
1D	1	37	30	3	6,5	12	M6	SP 1D M W2	
		1.46	1.18	.12	.26	.47	1/4-20 UNC	SP 1D U W2	
2D	2	55	30	5	6	14	M8	SP 2D M W2	
		2.17	1.18	.20	.24	.55	5/16-18 UNC	SP 2D U W2	
3D	3	70	30	5	6	14	M8	SP 3D M W2	
		2.76	1.18	.20	.24	.55	5/16-18 UNC	SP 3D U W2	
4D	4	85	30	5	6	14	M8	SP 4D M W2	
		3.35	1.18	.20	.24	.55	5/16-18 UNC	SP 4D U W2	
5D	5	110	30	5	6	14	M8	SP 5D M W2	
		4.33	1.18	.20	.24	.55	5/16-18 UNC	SP 5D U W2	

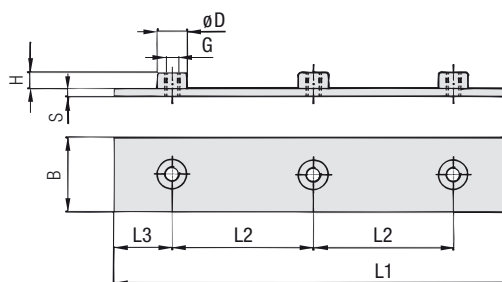
All threaded parts are available with Metric ISO thread or unified coarse (UNC) thread according to dimension table. Alternative materials and surface finishings are available upon request. Consult STAUFF for further information.

Order Codes

Weld Plate

***SP*1D*M*W2**

* Single Weld Plate		SP
* STAUFF Group		1D
* Thread code	Metric ISO thread	M
	Unified coarse (UNC) thread	U
* Material code	Carbon Steel, untreated	W1
	Carbon Steel, phosphated	W2
	Carbon Steel, zinc/nickel-plated	W3
	Stainless Steel V2A	W4
	1.4301 / 1.4305 (AISI 304 / 303)	W4
	Stainless Steel V4A	W5
	1.4401 / 1.4571 (AISI 316 / 316 Ti)	W5



Group Weld Plate Type RAP

Group STAUFF	DIN	Dimensions (mm/in)							Thread G	Order Codes (Standard Options)
		L1	L2	L3	B	S	H	ØD		
1D	1	196	40	18	30	3	6,5	12	M6	RAP 1D/40/5 M W1
		7.72	1.57	.71	1.18	.12	.26	.47	1/4-20 UNC	RAP 1D/40/5 U W1
2D	2	288	58	28	30	5	6	14	M8	RAP 2D/58/5 M W1
		11.34	2.28	1.10	1.18	.20	.24	.55	5/16-18 UNC	RAP 2D/58/5 U W1
3D	3	358	72	35	30	5	6	14	M8	RAP 3D/72/5 M W1
		14.09	2.83	1.37	1.18	.20	.24	.55	5/16-18 UNC	RAP 3D/72/5 U W1
4D	4	445	90	42	30	5	6	14	M8	RAP 4D/90/5 M W1
		17.52	3.54	1.65	1.18	.20	.24	.55	5/16-18 UNC	RAP 4D/90/5 U W1
5D	5	558	112	55	30	5	6	14	M8	RAP 5D/112/5 M W1
		21.97	4.41	2.16	1.18	.20	.24	.55	5/16-18 UNC	RAP 5D/112/5 U W1

All threaded parts are available with Metric ISO thread or unified coarse (UNC) thread according to dimension table. Alternative materials and surface finishings are available upon request. Consult STAUFF for further information.

Order Codes

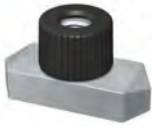
Weld Plate

***RAP*1D/40/5*M*W1**

* Group Weld Plate		RAP
* STAUFF Group		1D
* Pipe Center Spacing L2 (mm)		40
* Number of Clamps		5
* Thread code	Metric ISO thread	M
	Unified coarse (UNC) thread	U
* Material code	Carbon Steel, untreated	W1
	Carbon Steel, phosphated	W2
	Carbon Steel, zinc/nickel-plated	W3
	Stainless Steel V2A	W4
	1.4301 / 1.4305 (AISI 304 / 303)	W4
	Stainless Steel V4A	W5
	1.4401 / 1.4571 (AISI 316 / 316 Ti)	W5

Hexagon Rail Nut

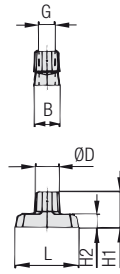
Type SM (for Use with Mounting Rail TS)



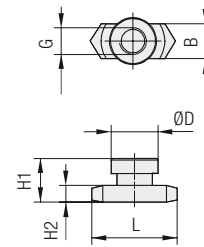
STAUFF Group 1D



STAUFF Group 2D to 5D



STAUFF Group 1D



STAUFF Group 2D to 5D

Order Codes

Hexagon Rail Nut ***SM*1-8/1D*M*W1**

* Hexagon Rail Nut		SM
* STAUFF Group	1D (DIN Group 1) 2D to 5D (DIN Group 2 to 5)	1-8/1D 2-5D
* Thread code	Metric ISO thread Unified coarse (UNC) thread	M U
* Material code	Carbon Steel, untreated Carbon Steel, zinc/nickel-plated Stainless Steel V2A 1.4301 / 1.4305 (AISI 304 / 303) Stainless Steel V4A 1.4401 / 1.4571 (AISI 316 / 316 Ti)	W1 W3 W4 W5

Group STAUFF	DIN	Dimensions (mm/m)						Order Codes (Standard Options)
		Thread G	L	B	H1	H2	ØD	
1D	1	M6	25,5	10,2	13,5	5,5	12	SM 1-8/1D M W1
		1/4-20 UNC	1.00	.40	.53	.22	.47	SM 1-8/1D U W3*
2D	2							
3D	3							
4D	4	M8	25,5	10,4	13	5	14	SM 2-5D M W3
		5/16-18 UNC	1.00	.41	.51	.20	.55	SM 2-5D U W3
5D	5							

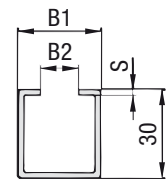
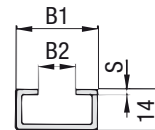
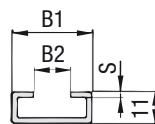
The Hexagon Rail Nut, type SM 1-8/1D is also suitable for Standard Series, STAUFF Group 1 to 8.

All threaded parts are available with Metric ISO thread or unified coarse (UNC) thread according to dimension table. Alternative materials and surface finishings are available upon request. Consult STAUFF for further information.

* Standard finishing option for Twin Series group size 1D in North America is W3 (Carbon Steel, zinc/nickel-plated).

Mounting Rail

Type TS (for Use with Hexagon Rail Nut SM)



Mounting Rail TS 11

Mounting Rail TS 14

Mounting Rail TS 30

Order Codes

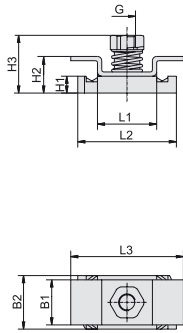
Mounting Rail ***TS*11*-1*W1**

* Mounting Rail		TS
* Height of rail	11 mm / .43 in 14 mm / .55 in 30 mm / 1.18 in	11 14 30
* Length of rail	1 m / 3.28 ft 2 m / 6.56 ft	-1 -2
	Alternative lengths available upon request. Consult STAUFF for further information.	
* Material code	Carbon Steel, untreated Carbon Steel, zinc/nickel-plated Stainless Steel V2A 1.4301 / 1.4305 (AISI 304 / 303) Stainless Steel V4A 1.4401 / 1.4571 (AISI 316 / 316 Ti)	W1 W3 W4 W5

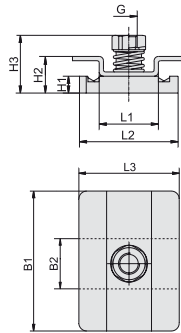
Group STAUFF	DIN	Dimensions (mm/m)			Order Codes (Standard Options)	
		L	B	H1	Length of Rail: 1 m / 3.28ft	Length of Rail: 2 m / 6.56ft
1D	1				Height 11 mm / .43 in TS 11-1 W1	Height 11 mm / .43 in TS 11-2 W1
2D	2					
3D	3	28 1.10	11 .43	2 .08	Height 14 mm / .55 in TS 14-1 W1	Height 14 mm / .55 in TS 14-2 W1
4D	4					
5D	5				Height 30 mm / 1.18 in TS 30-1 W1	Height 30 mm / 1.18 in TS 30-2 W1

Mounting Rails, type TS 11/14/30 are suitable for all Twin Series and Standard Series group sizes.

Alternative materials and surface finishings are available upon request. Consult STAUFF for further information.



STAUFF Group 1D



STAUFF Group 2-3D / 4-5D



Channel Rail Adaptor (for Use with Various Channel Rails) Type CRA

Group STAUFF	DIN	Dimensions (mm/in)									Order Codes (Standard Options)
		Thread G	L1	L2	L3	B1	B2	H1	H2	H3	
1D	1	M6	21	35	40	16	19	6	13	20,5	CRA 1-8/1D M W3
		1/4-20 UNC	.83	1.38	1.57	.63	.75	.24	.51	.81	CRA 1-8/1D U W3
2D	2	M8	21	35	38	53	19	9	17	23,5	CRA 2-3D M W3 CRA 2-3D U W3
3D	3	5/16-18 UNC	.83	1.38	1.50	2.09	.75	.35	.67	.93	
4D	4	M8	21	35	38	80	19	9	17	23,5	CRA 4-5D M W3 CRA 4-5D U W3
5D	5	5/16-18 UNC	.83	1.38	1.50	3.15	.75	.3	.67	.93	

Order Codes

Adaptor

***CRA*1-8/1D*M*W3**

* Channel Rail Adaptor		CRA
* STAUFF Group	1D (DIN Group 1)	1-8/1D
	2D to 3D (DIN Group 2 to 3)	2-3D
	4D to 5D (DIN Group 4 to 5)	4-5D
* Thread code	Metric ISO thread	M
	Unified coarse (UNC) thread	U
* Material code	Carbon Steel, zinc/nickel-plated	W3
	Stainless Steel V4A	W5
	1.4401 / 1.4571 (AISI 316 / 316 Ti)	

The Channel Rail Adaptor, type CRA 1-8/1D is also suitable for Standard Series, STAUFF Group 1 to 8.

All threaded parts are available with Metric ISO thread or unified coarse (UNC) thread according to dimension table. Alternative materials and surface finishings are available upon request. Consult STAUFF for further information.



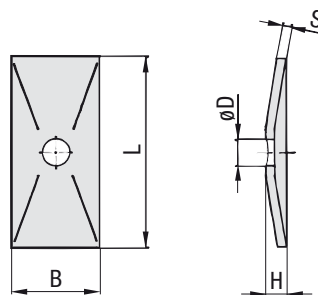
Compatibility with Channel Rails

The STAUFF Channel Rail Adaptor, type CRA, is suitable for various channel rails, including the following types:

HALFEN	HILTI	UNISTRUT®	STAUFF (Cushion Clamp Series)
HM 41/41	MQ-21, MQ-41, MQ-52, MQ-72	P1000, P1000T, P1000V, P1000VT, P1001	SCS-048-1-PL, SCS-048-1-GR
HZA 41/22	MQ-21U, MQ-41U, MQ-72U	P2000, P2000T	SCS-120-1-PL, SCS-120-1-GR
HZM 41/41	MQ-21D, MQ-41D, MQ-52-72D	P3003, P3003T, P3300V, P3300VT, P3301	See page A83 for technical information.
HZM 41/22		P4000, P4000T	
HL 41/41, HL 41/B2		P5000, P5000T, P5001, P5500, P5500T, P5501	

Consult STAUFF to check compatibility with additional types of channel rails.

Cover Plate Type GD



Order Codes

Cover Plate

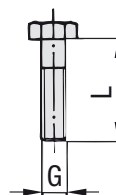
***GD*1D*W3**

* Cover Plate	GD
* STAUFF Group	1D
* Material code	W3
Carbon Steel, zinc/nickel-plated	
Stainless Steel V2A	W4
1.4301 / 1.4305 (AISI 304 / 303)	
Stainless Steel V4A	W5
1.4401 / 1.4571 (AISI 316 / 316 Ti)	

Group STAUFF	DIN	Dimensions (mm/in)					Order Codes (Standard Options)
		L	B	H	S	ØD	
1D	1	34	30	7	3	7	GD 1D W3
		1.34	1.18	.28	.12	.28	
2D	2	52	30	7	3	9	GD 2D W3
		2.05	1.18	.28	.12	.35	
3D	3	65	30	7	3	9	GD 3D W3
		2.56	1.18	.28	.12	.35	
4D	4	79	30	7	3	9	GD 4D W3
		3.11	1.18	.28	.12	.35	
5D	5	102	30	7	3	9	GD 5D W3
		4.02	1.18	.28	.12	.35	

Alternative materials and surface finishings are available upon request. Consult STAUFF for further information.

Hexagon Head Bolt Type AS



Hexagon Head Bolt AS

(according to DIN 931 / 933 or ANSI / ASME B18.2.1.)

Dimensions applicable only when used with Cover Plate GD

Order Codes

Hexagon Head Bolt

***AS*1D*M*W3**

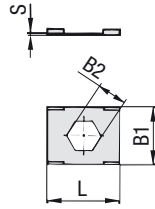
* Type of bolt	Hexagon Head Bolt (according to DIN 931 / 933 or ANSI / ASME B18.2.1.)	AS
* STAUFF Group		1D
* Thread code	Metric ISO thread Unified coarse (UNC) thread	M U
* Material code	Carbon Steel, zinc/nickel-plated	W3
Stainless Steel V2A		W4
1.4301 / 1.4305 (AISI 304 / 303)		
Stainless Steel V4A		W5
1.4401 / 1.4571 (AISI 316 / 316 Ti)		

Group STAUFF	DIN	Dimensions (mm/in)		Order Codes (Standard Options)
		Thread	G x L	
1D	1	M6 x 35		AS 1D M W3
		1/4-20 UNC x 1-3/8		AS 1D U W3
2D	2	M8 x 35		AS 2D M W3
		5/16-18 UNC x 1-3/8		AS 2D U W3
3D	3	M8 x 45		AS 3D M W3
		5/16-18 UNC x 1-3/4		AS 3D U W3
4D	4	M8 x 50		AS 4D M W3
		5/16-18 UNC x 2		AS 4D U W3
5D	5	M8 x 60		AS 5D M W3
		5/16-18 UNC x 2-1/2		AS 5D U W3

All threaded parts are available with Metric ISO thread or unified coarse (UNC) thread according to dimension table. Alternative materials and surface finishings are available upon request. Consult STAUFF for further information.

Safety Locking Plate

(for Use with Stacking Bolt AF) **Type SI**


Safety Locking Plate SI

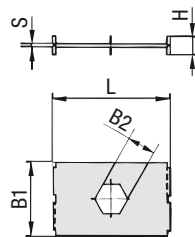
Group STAUFF	DIN	Dimensions (mm/in)				Order Codes (Standard Options)
		L	B	S	H	
1D	1	27	22	11,2	0,5	SI 1D W3
		1.06	.86	.44	.02	
2D	2	27	22	12,2	0,5	SI 2-5D W3
3D	3					
4D	4					
5D	5					
		1.06	.86	.48	.02	

Order Codes

Safety Locking Plate ***SI*1D*W3**

* Safety Locking Plate		SI
* STAUFF Group	1D (DIN Group 1)	1D
	2D to 5D (DIN Group 2 to 5)	2-5D
* Material code	Carbon Steel, zinc/nickel-plated	W3
	Stainless Steel V2A	W4
	1.4301 / 1.4305 (AISI 304 / 303)	W4
	Stainless Steel V4A	W5
	1.4401 / 1.4571 (AISI 316 / 316 Ti)	W5

Alternative materials and surface finishings are available upon request. Consult STAUFF for further information.



Safety Locking Plate

(for Use with Stacking Bolt AF) **Type SIV**


Safety Locking Plate SIV
(Prevents Upper Clamp from Turning)

Group STAUFF	DIN	Dimensions (mm/in)					Order Codes (Standard Options)
		L	B1	B2	S	H	
1D	1	27	28	11,1	1	7	SIV 1D W3
		1.06	1.10	.44	.04	.27	
2D	2	45	28	11,1	1	7	SIV 2-3D W3
3D	3						

Order Codes

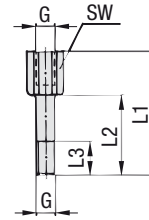
Safety Locking Plate ***SIV*1D*W3**

* Safety Locking Plate		SIV
* STAUFF Group	1D (DIN Group 1)	1D
	2D to 3D (DIN Group 2 to 3)	2-3D
* Material code	Carbon Steel, zinc/nickel-plated	W3
	Stainless Steel V2A	W4
	1.4301 / 1.4305 (AISI 304 / 303)	W4
	Stainless Steel V4A	W5
	1.4401 / 1.4571 (AISI 316 / 316 Ti)	W5

Alternative materials and surface finishings are available upon request. Consult STAUFF for further information.

Stacking Bolt

Type AF (for Use with Safety Locking Plates SI / SIV)



Order Codes		Dimensions (mm / in)					Order Codes (Standard Options)
		Thread G	L1	L2	L3 min.	Hex	
* Stacking Bolt	* STAUFF Group	M6	34	20	12	11	AF 1D M W3
		1/4-20 UNC	1.33	.78	.47	.43	AF 1D U W3
* Thread code	Metric ISO thread	M8	33	20	12	12	AF 2D M W3
		5/16-18 UNC	1.30	.78	.47	.47	AF 2D U W3
* Material code	Carbon Steel, zinc/nickel-plated	M8	44	29	12	12	AF 3D M W3
		5/16-18 UNC	1.73	1.14	.47	.47	AF 3D U W3
Stainless Steel V2A	1.4301 / 1.4305 (AISI 304 / 303)	M8	49	34	12	12	AF 4D M W3
		5/16-18 UNC	1.92	1.33	.47	.47	AF 4D U W3
Stainless Steel V4A	1.4401 / 1.4571 (AISI 316 / 316 Ti)	M8	61	46	12	12	AF 5D M W3
		5/16-18 UNC	2.40	1.81	.47	.47	AF 5D U W3

All threaded parts are available with Metric ISO thread or unified coarse (UNC) thread according to dimension table. Alternative materials and surface finishings are available upon request. Consult STAUFF for further information.



Please see page A48 with detailed order examples for some of the most popular Twin Series clamp assemblies.

① Type of Installation

Please select the type of installation (e.g. weld plates, rail nuts, etc.) and add the corresponding Code to position ① of the order code for your clamp assembly.

Without Installation Equipment
Code: **none**

Installation on Weld Plate

Single Weld Plate
Code: **SP**

Group Weld Plate
Code: **RAP**

Installation on Mounting / Channel Rail

Mounting Rail Nut
Code: **SM**

Channel Rail Adaptor
Code: **CRA**

② Group Size & Diameters

Please select the required group size and diameter and add the corresponding Code to position ② of the order code for your clamp assembly.

Group STAUFF (DIN)	Outside Diameter P / T / H (mm)	Availability of Clamp Body Materials & Designs		Code
		Profiled Design	Type H	
1D (1)	6	●	●	106/06
	6,4	●	●	106,4/06,4
	8	●	●	108/08
	9,5	●	●	109,5/09,5
	10	●	●	110/10
	12	●	●	112/12
2D (2)	12,7	●	●	212,7/12,7
	13,5	●	●	213,5/13,5
	14	●	●	214/14
	15	●	●	215/15
	16	●	●	216/16
	17,2	●	●	217,2/17,2
3D (3)	18	●	●	218/18
	19	●	●	319/19
	20	●	●	320/20
	21,3	●	●	321,3/21,3
	22	●	●	322/22
	25	●	●	325/25
4D (4)	25,4	●	●	325,4/25,4
	26,9	●	●	426,9/26,9
	28	●	●	428/28
5D (5)	30	●	●	430/30
	32	●	●	532/32
	33,7	●	●	533,7/33,7
	35	●	●	535/35
	38	●	●	538/38
	40	●	●	540/40
	42	●	●	542/42

③ Clamp Body Design & Material

Please select the design and material of your clamp body and add the corresponding Code to position ③ of the order code for your clamp assembly.

Please check the availability of the selected clamp body design and material according to the matrix table in ②.

Profiled Design

Polypropylene
Code: **PP**

Polyamide
Code: **PA**

Type H (Smooth)

Polypropylene
Code: **PPH**

Polyamide
Code: **PAH**

④ Mounting & Fitting Combination

Please select the mounting and fitting combination (e.g. Bolts, Cover Plates, etc.) and add the corresponding Code to position ④ of the order code for your clamp assembly.

Installation with Cover Plate and Bolt

**Cover Plate GD with
Hexagon Head Bolt AS**
Code: **GD-AS**

Installation with Locking Plate and Bolt

**Safety Locking Plate SI with
Stacking Bolt AF**
Code: **SI-AF**

● Standard Option

Additional outside diameters and combinations of different outside diameters are available upon request. Please consult STAUFF for further information.

⑤ Thread Type

Please select the required thread type and add the corresponding Code to position ⑤ of the order code for your clamp assembly.

Metric ISO thread
Code: **M**

Unified coarse (UNC) thread
Code: **U**

All threaded parts are available with Metric ISO thread or unified coarse (UNC) thread according to dimension table.

⑥ Material & Surface Finishing

Please select the required material & surface finishing of the metal parts and add the corresponding Code to position ⑥ of the order code for your clamp assembly.

Metal parts made of Carbon Steel, untreated **W1**

Metal parts made of Carbon Steel, phosphated **W2**

Metal parts made of Carbon Steel, zinc/nickel-plated **W3**

Metal parts made of Stainless Steel V2A
1.4301 / 1.4305 (AISI 304 / 303) **W4**

Metal parts made of Stainless Steel V4A
1.4401 / 1.4571 (AISI 316 / 316 Ti) **W5**

Weld Plate made of Carbon Steel, phosphated; Other
metal parts made of Carbon Steel, zinc/nickel-plated **W10**

Rail Nut made of Carbon Steel, untreated; Other
metal parts made of Carbon Steel, zinc/nickel-plated **W11**

Individual combinations of alternative materials and surface finishings are available upon request. Consult STAUFF for further information.

⑦ Assembling & Kitting

If required, please select an additional assembling and kitting option and add the corresponding Code to the last position of the order code for your clamp assembly.

Components supplied separately
Code: **none** (standard option)

Components assembled
Code: **#A** (special option)

Components packed in kits
Code: **#K** (special option)



- 1x **Hexagon Head Bolt**
Surface: W3
Thread: Metric
- 1x **Cover Plate**
Surface: W3
- 1x **Clamp Body** (two halves)
STAUFF Group 1D (DIN 1)
both O.D. 6 mm / .24 in
Material: Polypropylene
Profiled inside surface
with tension clearance
- 1x **Weld Plate**
Surface: W2
Thread: Metric

Order Code

SP 106/06 PP GD-AS M W10

W10 is the standard option for this type of installation.



- 1x **Hexagon Head Bolt**
Surface: W3
Thread: Metric
- 1x **Cover Plate**
Surface: W3
- 1x **Clamp Body** (two halves)
STAUFF Group 1D (DIN 1)
both O.D. 6 mm / .24 in
Material: Polypropylene
Profiled inside surface
with tension clearance

Order Code

106/06 PP GD-AS M W3

W3 is the standard option for this type of installation.



- 1x **Stacking Bolt**
Surface: W3
Thread: Metric
- 1x **Safety Locking Plate (Type SI)**
Surface: W3
Thread: Metric
- 1x **Clamp Body** (two halves)
STAUFF Group 1D (DIN 1)
both O.D. 6 mm / .24 in
Material: Polypropylene
Profiled inside surface
with tension clearance

Order Code

106/06 PP SI-AF M W3

W3 is the standard option for this type of installation.



- 1x **Stacking Bolt**
Surface: W3
Thread: Metric
- 1x **Safety Locking Plate (Type SIV)**
Surface: W3
Thread: Metric
- 1x **Clamp Body** (two halves)
STAUFF Group 1D (DIN 1)
both O.D. 6 mm / .24 in
Material: Polypropylene
Profiled inside surface
with tension clearance

Order Code

106/06 PP SIV-AF M W3

W3 is the standard option for this type of installation.
This type of installation is available up to STAUFF Group 3D only.



- 1x **Hexagon Head Bolt**
Surface: W3
Thread: Metric
- 1x **Cover Plate**
Surface: W3
- 1x **Clamp Body** (two halves)
STAUFF Group 1D (DIN 1)
both O.D. 6 mm / .24 in
Material: Polypropylene
Profiled inside surface
with tension clearance
- 1x **Hexagon Rail Nut**
Surface: W1
Thread: Metric

Order Code (Mounting Rail TS not included.)

SM 106/06 PP GD-AS M W11

W11 (STAUFF Group 1D) and W3 (STAUFF Group 2D to 5D) are the standard options for this type of installation.

Thread Codes

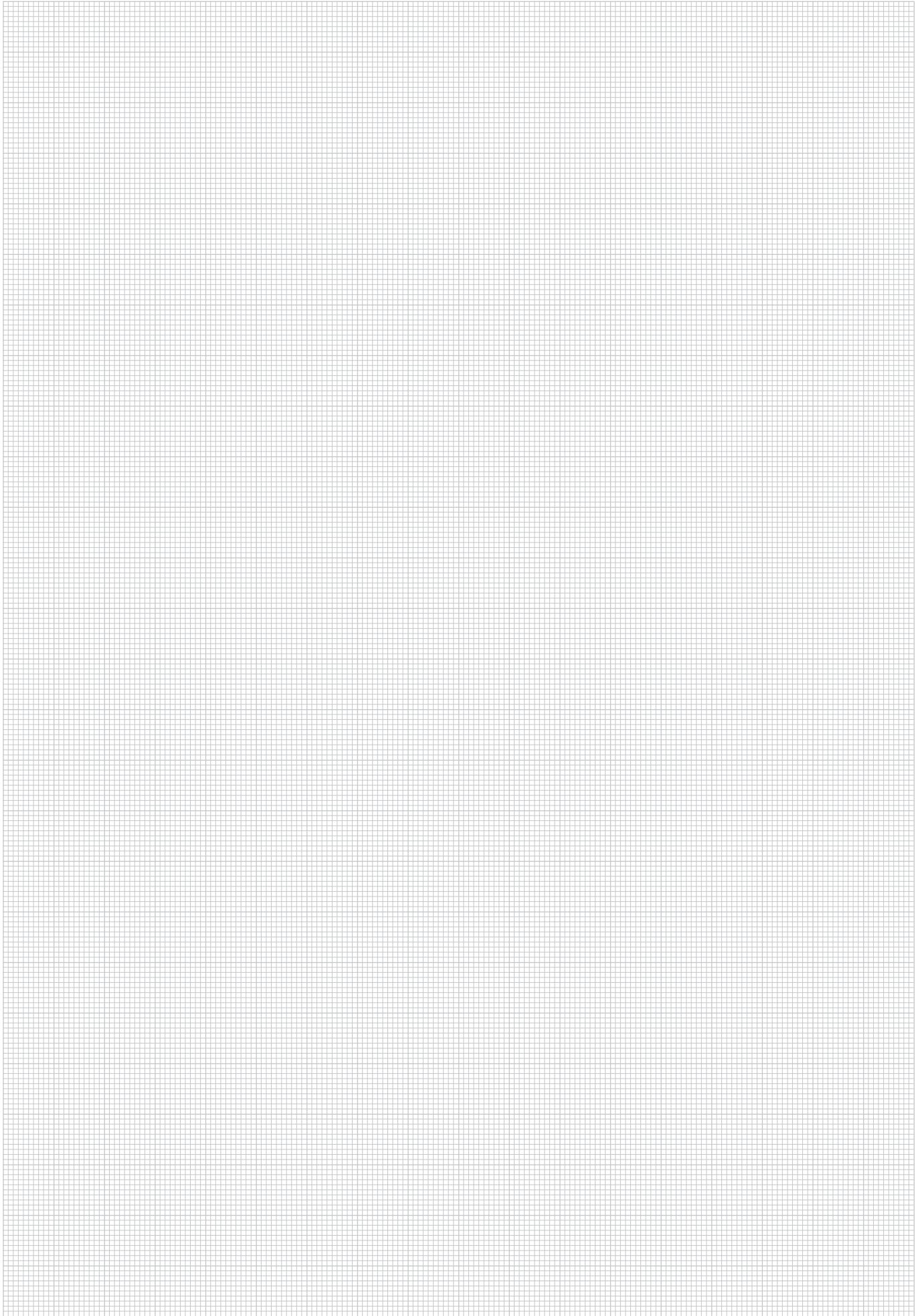
All threaded parts are available with Metric ISO thread or unified coarse (UNC) thread according to dimension table.

Metric ISO thread	M
Unified coarse (UNC) thread	U

Material Codes

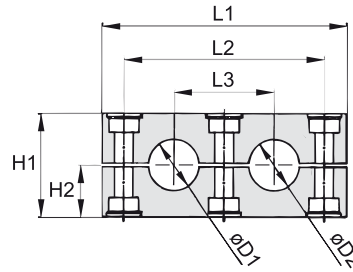
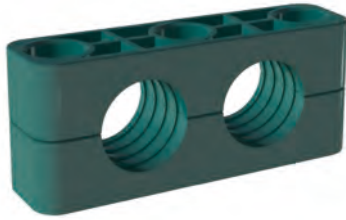
The below listed material codes describe the materials and surface finishings of metal parts that are most relevant for Twin Series clamp assemblies. Individual combinations of alternative materials and surface finishings are available upon request. Consult STAUFF for further information.

Metal parts made of Carbon Steel, untreated	W1
Metal parts made of Carbon Steel, phosphated	W2
Metal parts made of Carbon Steel, zinc/nickel-plated	W3
Metal parts made of Stainless Steel V2A: 1.4301 / 1.4305 (AISI 304 / 303)	W4
Metal parts made of Stainless Steel V4A: 1.4401 / 1.4571 (AISI 316 / 316 Ti)	W5
Weld Plate made of Carbon Steel, phosphated;	W10
Other metal parts made of Carbon Steel, zinc/nickel-plated	W10
Rail Nut made of Carbon Steel, untreated;	W11
Other metal parts made of Carbon Steel, zinc/nickel-plated	W11



Clamp Body - Profiled Design

Profiled Inside Surface with Tension Clearance



Order Codes

Clamp Body *4*012,7/12,7*PP

One clamp body is consisting of two clamp halves.

- * 1st part of STAUFF Group **4**
- * Exact outside diameters Ø D1 / Ø D2 (mm) **012,7/12,7**
- * Material code (see below) **PP**

Standard Materials



Polypropylene
Colour: Green
Material code: **PP**



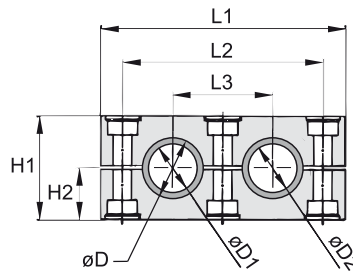
Polyamide
Colour: Black
Material code: **PA**

See page A86 for material properties and technical information.

Group	Outside Diameter		Nominal Bore	Copper Tube	Order Codes (2 Clamp Halves)	Dimensions (mm/in)					
	Pipe / Tube	Ø D1 / Ø D2				Pipe	Tube	L1	L2	L3	H1
STAUFF	(mm)	(in)	(in)	(in)	(** = Material)						
	12,7	1/2		3/8	4012,7/12,7 **						
	19	3/4			4019/19 **						
	20				4020/20 **						
	21,3		1/2		4021,3/21,3 **						
	22			3/4	4022/22 **						
4S-D	25,4	1			4025,4/25,4 **						
	26,9		3/4		4026,9/26,9 **						
	32	1-1/4			5032/32 **						
	33,7		1		5033,7/33,7 **	115	90	45	48	24	30
	38	1-1/2			5038/38 **	4.53	3.54	1.77	1.89	0.94	1.18
	42		1-1/4		5042/42 **						
5S-D	32	1-1/4			5032/32 **						
	33,7		1		5033,7/33,7 **	145	120	60	60	30	30
	38	1-1/2			5038/38 **	5.71	4.72	2.36	2.36	1.18	1.18
	42		1-1/4		5042/42 **						

Additional outside diameters and Clamp Bodies, type H (smooth inside surface without tension clearance) are available upon request. Please consult STAUFF for further information.

Clamp Body with Rubber Inserts Type RI



For use with Rubber Inserts of the Heavy Series, STAUFF Group 4S and 5S (see page A27 for details)

Order Codes

Clamp Assembly *4*006/06*PPR

One assembly is consisting of one clamp body and two inserts.

- * 1st part of STAUFF Group **4**
- * Exact outside diameters Ø D1 / Ø D2 (mm) **006/06**
- * Material code (see below) **PPR**

Standard Materials



Polypropylene
Colour: Black
Material code: **PPR**



Polyamide
Colour: Black
Material code: **PAR**

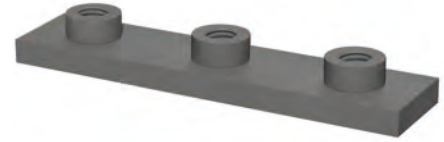
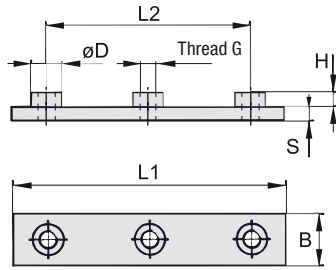


Rubber Inserts
Thermoplastic Elastomer (73 Shore-A)
Colour: Black

See page A86 for properties and technical information.

Group	Outside Diameter		Order Codes (Clamp Assembly)	Dimensions (mm/in)						
	Pipe / Tube / Hose	Ø D1 / Ø D2		Ø D	L1	L2	L3	H1	H2	Width
STAUFF	(mm)	(in)	(**R = Material)							
	6		4006/06 **R							
	8	5/16	4008/08 **R							
	10		4010/10 **R							
	12		4012/12 **R							
	12,7	1/2	4012,7/12,7 **R							
	14		4014/14 **R							
	15		4015/15 **R							
	16	5/8	4016/16 **R							
	17,2		4017,2/17,2 **R							
	18		4018/18 **R							
	19	3/4	4019/19 **R							
4S-D	20		5020/20 **R							
	21,3		5021,3/21,3 **R							
	22	7/8	5022/22 **R							
	25		5025/25 **R	25	115	90	45	48	24	30
	26,9		5026,9/26,9 **R	.98	4.53	3.54	1.77	1.89	0.94	1.18
	28		5028/28 **R							
	30		5030/30 **R							
	32	1-1/4	5032/32 **R							
5S-D	38		5038/38 **R							
	42		5042/42 **R							
	1.50		5042/42 **R	1.50	5.71	4.72	2.36	2.36	1.18	1.18

Additional outside diameters are available upon request. Please consult STAUFF for further information.

**Weld Plate
Type SPAD**


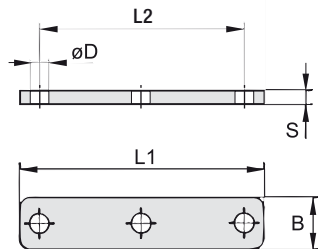
Group STAUFF	Dimensions (mm/in)							Order Codes (Standard Options)
	L1	L2	B	S	H	Thread G	ØD	
4S-D	115	90	30	8	8,5	M10	18	SPAD 4S M W1
	4.53	3.54	1.18	.31	.33	3/8-16 UNC	.71	SPAD 4S U W2*
5S-D	145	120	30	8	8,5	M10	18	SPAD 5S M W1
	5.71	4.72	1.18	.31	.33	3/8-16 UNC	.71	SPAD 5S U W2*

All threaded parts are available with Metric ISO thread or unified Coarse (UNC) thread according to dimension table. Alternative materials and surface finishings are available upon request. Consult STAUFF for further information.

* Standard finishing option in North America is W2 (Carbon Steel, phosphated).

Order Codes
Weld Plate
***SPAD*4S*M*W1**

* Weld Plate		SPAD
* STAUFF Group	4S-D	4S
	5S-D	5S
* Thread code	Metric ISO thread	M
	Unified coarse (UNC) thread	U
* Material code	Carbon Steel, untreated	W1
	Carbon Steel, phosphated	W2
	Carbon Steel, zinc/nickel-plated	W3
	Stainless Steel V2A	
	1.4301 / 1.4305 (AISI 304 / 303)	W4
	Stainless Steel V4A	
	1.4401 / 1.4571 (AISI 316 / 316 Ti)	W5

**Cover Plate
Type DPAD**


Group STAUFF	Dimensions (mm/in)					Order Codes (Standard Options)
	L1	L2	B	S	ØD	
4S	115	90	30	8	11	DPAD 4S W1
	4.53	3.54	1.18	.31	.43	DPAD 4S W2*
5S	145	120	30	8	11	DPAD 5S W1
	5.71	4.72	1.18	.31	.43	DPAD 5S W2*

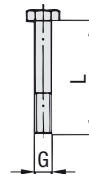
All threaded parts are available with Metric ISO thread or unified Coarse (UNC) thread according to dimension table. Alternative materials and surface finishings are available upon request. Consult STAUFF for further information.

* Standard finishing option in North America is W2 (Carbon Steel, phosphated).

Order Codes
Cover Plate
***DPAD*4S*W1**

* Cover Plate		DPAD
* STAUFF Group	4S-D	4S
	5S-D	5S
* Material code	Carbon Steel, untreated	W1
	Carbon Steel, phosphated	W2
	Carbon Steel, zinc/nickel-plated	W3
	Stainless Steel V2A	
	1.4301 / 1.4305 (AISI 304 / 303)	W4
	Stainless Steel V4A	
	1.4401 / 1.4571 (AISI 316 / 316 Ti)	W5

**Hexagon Head Bolt
Type AS**



Hexagon Head Bolt AS

(according to DIN 931 / 933 or ANSI / ASME B18.2.1.)
Dimensions applicable only when used with Cover Plate DPAD

Order Codes	
Hexagon Head Bolt	*AS*4S*M*W1
* Type of bolt	Hexagon Head Bolt (according to DIN 931 / 933 or ANSI / ASME B18.2.1.) AS
* STAUFF Group	4S-D 4S 5S-D 5S
* Thread code	Metric ISO thread M Unified coarse (UNC) thread U
* Material code	Carbon Steel, untreated W1 Carbon Steel, zinc/nickel-plated W3 Stainless Steel V2A W4 1.4301 / 1.4305 (AISI 304 / 303) W4 Stainless Steel V4A W5 1.4401 / 1.4571 (AISI 316 / 316 Ti) W5

Group STAUFF	DIN	Dimensions (mm / in) Thread G x L	Order Codes (Standard Options)
4S	2	M10 x 60	AS 4S M W1
		3/8-16 UNC x 2-1/4	AS 4S U W3*
5S	3	M10 x 70	AS 5S M W1
		3/8-16 UNC x 2-3/4	AS 5S U W3*

All threaded parts are available with Metric ISO thread or unified coarse (UNC) thread according to dimension table. Alternative materials and surface finishings are available upon request. Consult STAUFF for further information.

If required, use Safety Washers, type SI as locking devices to prevent Hexagon Head Bolts, type AS from loosening. See page A34 for details.

* Standard finishing option in North America is W3 (Carbon Steel, zinc/nickel-plated).

Further Metal Hardware

For Use with the Heavy Twin Series



**Mounting Rail Nut
Type GMV**

Heavy Series, STAUFF Group 4S and 5S
(See page A30 for details)



**Mounting Rail
Type STSV**

Heavy Series
(See page A30 for details)



**Channel Rail Adaptor
Type CRA**

Heavy Series, STAUFF Group 4S and 5S
(See page A31 for details)



**Socket Cap Screw
Type IS**

Heavy Series, STAUFF Group 4S and 5S
(See page A33 for details)



**Safety Locking Plate
Type SIPD**

Heavy Twin Series, STAUFF Group 4S-D and 5S-D
(Consult STAUFF for details)



**Stacking Bolt
Type AF**

Heavy Series, STAUFF Group 4S and 5S
(See page A34 for details)



① Type of Installation

Please select the type of installation (e.g. Weld Plates, Rail Nuts, etc.) and add the corresponding Code to position ① of the order code for your clamp assembly.

Without Installation Equipment
Code: **none**

Installation on Weld Plate

Single Weld Plate
Code: **SPAD**

Installation on Mounting / Channel Rail

Mounting Rail Nut
Code: **GMV**

Channel Rail Adaptor
Code: **CRA**

② Group Size & Diameters

Please select the required group size and diameter and add the corresponding Code to position ② of the order code for your clamp assembly.

Group	Outside Diameter P / T / H (mm)	Availability of Clamp Body Materials & Designs		Code
		Profiled Design	Type RI	
4S-D	6	○	●	4006/06
	8	○	●	4008/08
	10	○	●	4010/10
	12	○	●	4012/12
	12,7	●	●	4012,7/12,7
	14	○	●	4014/14
	15	○	●	4015/15
	16	○	●	4016/16
	17,2	○	●	4017,2/17,2
	18	○	●	4018/18
	19	●	●	4019/19
	20	●	○	4020/20
	21,3	●	○	4021,3/21,3
	22	●	○	4022/22
25,4	●	○	4025,4/25,4	
26,9	●	○	4026,9/26,9	
5S-D	20	○	●	5020/20
	21,3	○	●	5021,3/21,3
	22	○	●	5022/22
	25	○	●	5025/25
	26,9	○	●	5026,9/26,9
	28	○	●	5028/28
	30	○	●	5030/30
	32	●	●	5032/32
	33,7	●	○	5033,7/33,7
	38	●	○	5038/38
42	●	○	5042/42	

● Standard Option

Additional outside diameters and combinations of different outside diameters are available upon request. Please consult STAUFF for further information.

③ Clamp Body Design & Material

Please select the design and material of your clamp body and add the corresponding Code to position ③ of the order code for your clamp assembly.

Please check the availability of the selected clamp body design and material according to the matrix table in ②.

Profiled Design

Polypropylene
Code: **PP**

Polyamide
Code: **PA**

Type RI (with Rubber Insert)

Polypropylene
Code: **PPR**

Polyamide
Code: **PAR**

Clamp Bodies, Type H (smooth Inside surface without tension clearance) are available upon request. Please consult STAUFF for further information.

④ Mounting & Fitting Combination

Please select the mounting and fitting combination (e.g. Bolts, Cover Plates, etc.) and add the corresponding Code to position ④ of the order code for your clamp assembly.

Installation with Cover Plate and Bolts

Cover Plate DPAD with Hexagon Head Bolt AS
Code: **DPAD-AS**

Installation with Locking Plate and Bolts

Safety Locking Plate SIPD with Stacking Bolt AF
Code: **SIPD-AF**

⑤ Thread Type

Please select the required thread type and add the corresponding Code to position ⑤ of the order code for your clamp assembly.

Metric ISO thread
Code: **M**

Unified coarse (UNC) thread
Code: **U**

All threaded parts are available with Metric ISO thread or unified coarse (UNC) thread according to dimension table.

⑥ Material & Surface Finishing

Please select the required material & surface finishing of the metal parts and add the corresponding Code to position ⑥ of the order code for your clamp assembly.

Metal parts made of Carbon Steel, untreated **W1**

Metal parts made of Carbon Steel, phosphated **W2**

Metal parts made of Carbon Steel, zinc/nickel-plated **W3**

Metal parts made of Stainless Steel V2A 1.4301 / 1.4305 (AISI 304 / 303) **W4**

Metal parts made of Stainless Steel V4A 1.4401 / 1.4571 (AISI 316 / 316 Ti) **W5**

Weld Plate made of Carbon Steel, phosphated; Other metal parts made of Carbon Steel, zinc/nickel-plated **W10**

Weld Plate and Cover Plate made of Carbon Steel, phosphated; Bolts made of Carbon Steel, untreated **W12**

Mounting Rail Nuts made of Carbon Steel, zinc/nickel-plated; Cover Plate made of Carbon Steel, phosphated; Bolts made of Carbon Steel, untreated **W13**

Weld Plate / Cover Plate made of Carbon Steel, phosphated; Bolts made of Carbon Steel, zinc/nickel-plated **W15**

Mounting Rail Nuts made of Carbon Steel, zinc/nickel-plated; Cover Plate made of Carbon Steel, phosphated; Bolts made of Carbon Steel, zinc/nickel-plated **W16**

Safety Locking Plate made of Carbon Steel, phosphated; Bolts made of Carbon Steel, zinc/nickel-plated **W17**

Safety Locking Plate made of Carbon Steel, untreated; Bolts made of Carbon Steel, phosphated **W18**

Cover Plate made of Carbon Steel, phosphated; Bolts made of Carbon Steel, untreated **W19**

Individual combinations of alternative materials and surface finishings are available upon request. Consult STAUFF for further information.

⑦ Assembling & Kitting

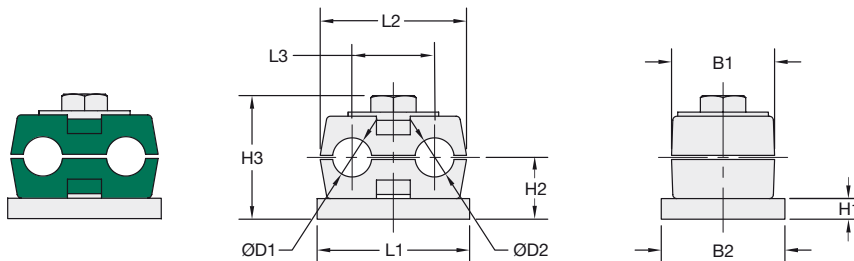
If required, please select an additional assembling and kitting option and add the corresponding Code to the last position of the order code for your clamp assembly.

Components Supplied Separately
Code: **none** (Standard Option)

Components Assembled
Code: **#A** (Special Option)

Components Packed in Kits
Code: **#K** (Special Option)

Compact Twin Series: Clamp Body Type DS



Order Codes

Clamp Body

***DS1*06/06*PP**

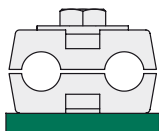
One clamp body is consisting of two clamp halves.

- * Compact Twin Series, STAUFF Group 1 **DS 1**
- * Exact outside diameters Ø D1 / Ø D2 (mm) **06/06**
- * Clamp Body Material (Polypropylene) **PP**

Group	Outside Diameter Pipe / Tube		Nominal Bore Pipe	Copper Tube	Order Codes (2 Clamp Halves)	Dimensions (mm/in)								
	Ø D1 (mm)	Ø D2 (in)				L1	L2	L3	H1	H2	H3	B1	B2	
DS 1	6				DS106/06 PP									
	6,4	1/4			DS106,4/06,4 PP									
	8	5/16			DS108/08 PP									
	9,5	3/8	1/4		DS109,5/09,5 PP									
	10		1/8		DS110/10 PP	37	35,5	20	5	15	30	25	30	
						1.46	1.40	.79	.20	.59	1.18	.98	1.18	

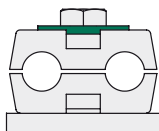
Additional outside diameters are available upon request. Please consult STAUFF for further information.

Compact Twin Series: Metal Hardware



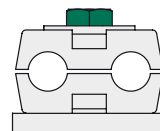
Weld Plate, Type SP DS1

SP DS1 U W2 (unified coarse thread)
Thread size: 1/4–20 UNC
Made of Carbon Steel, phosphated



Cover Plate, Type US DS1

US DS1 W3
Made of Carbon Steel, zn/ni-plated

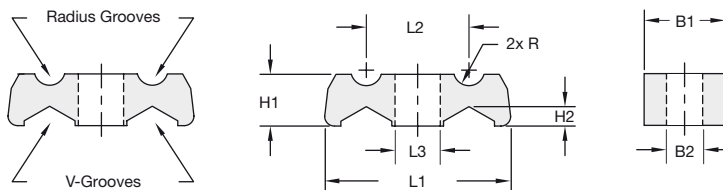


Hexagon Bolt, Type AS DS1

AS DS1 U W3 (unified coarse thread)
Bolt size: 1/4–20 UNC x 1
Made of Carbon Steel, zn/ni-plated

All threaded parts are only available with unified coarse (UNC) thread.
Rail mount and stacking assemblies as well as alternative materials and surface finishings are available upon request.
Consult STAUFF for further information.

Agriculture Twin Series: Clamp Body Type AG



Order Codes

Clamp Body

***AG*2**

- * Agriculture Twin Series **AG 2**
- * STAUFF Group **2**

Group	Min/Max Outside Diameters				Order Codes (1 Clamp Body)	Dimensions (mm/in)							
	Pipe / Tube using Radius Grooves		using V-Grooves			L1	L2	L3	H1	H2	B1	B2	R
2	3 ... 10	.1239	4 ... 15	.2659	AG 2	57,5	31,7	14,0	16,0	7,1	25,0	11,0	4,8
						2.26	1.25	.55	.63	.24	.98	.43	.19
3	4 ... 25	.1698	7 ... 20	.2879	AG 3	62,0	34,5	14,0	19,0	7,1	32,0	11,0	12,4
						2.48	1.36	.55	.75	.28	1.26	.43	.49

Standard Material



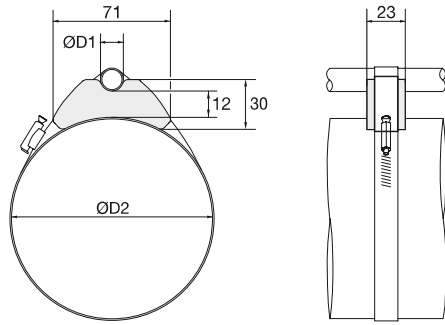
Polypropylene
Colour: Black

See page A86 for properties and technical information.

Additional outside diameters are available upon request. Please consult STAUFF for further information.

Product Features

- Flip the clamp body to choose between the radius grooved or the v-grooved design (suitable for a range of diameters)
- Use M10 or 3/8–16 UNC bolts or screws (preferably with washers) to fasten clamp bodies directly to the machine
- Clamp bodies can be stacked for multi-level assembly



Saddle Clamp for Cylinder Supply Lines Type ZR 518



Min/Max Outside Diameters Pipe / Tube				Steel Strap Dimensions (Not Included in Scope of Delivery)			
Ø D1		Ø D2		Length		Width	
(mm)	(in)	(mm)	(in)	(mm)	(in)	(mm)	(in)
10 ... 22	.3987	50 ... 70	1.96 ... 2.76	196 ... 254	7.71 ... 10.00	13	.51
		60 ... 80	2.36 ... 3.15	225 ... 284	8.86 ... 11.18		
		70 ... 90	2.76 ... 3.54	254 ... 314	10.00 ... 12.36		
		80 ... 105	3.15 ... 4.13	284 ... 359	11.18 ... 14.13		
		90 ... 120	3.54 ... 4.72	314 ... 404	12.36 ... 15.90		
		105 ... 140	4.13 ... 5.51	359 ... 464	14.13 ... 18.27		
		125 ... 160	4.92 ... 6.30	419 ... 525	16.50 ... 20.66		
		145 ... 180	5.71 ... 7.09	479 ... 586	18.86 ... 23.07		
		165 ... 200	6.50 ... 7.87	540 ... 647	21.26 ... 25.47		

Order Code

Saddle Clamp ZR 518 Black 9005

Standard Material



Thermoplastic Elastomer (75±5 Shore-A)
Colour: Black

See page A86 for properties and technical information.



Custom-Designed Plastic Saddle Clamps

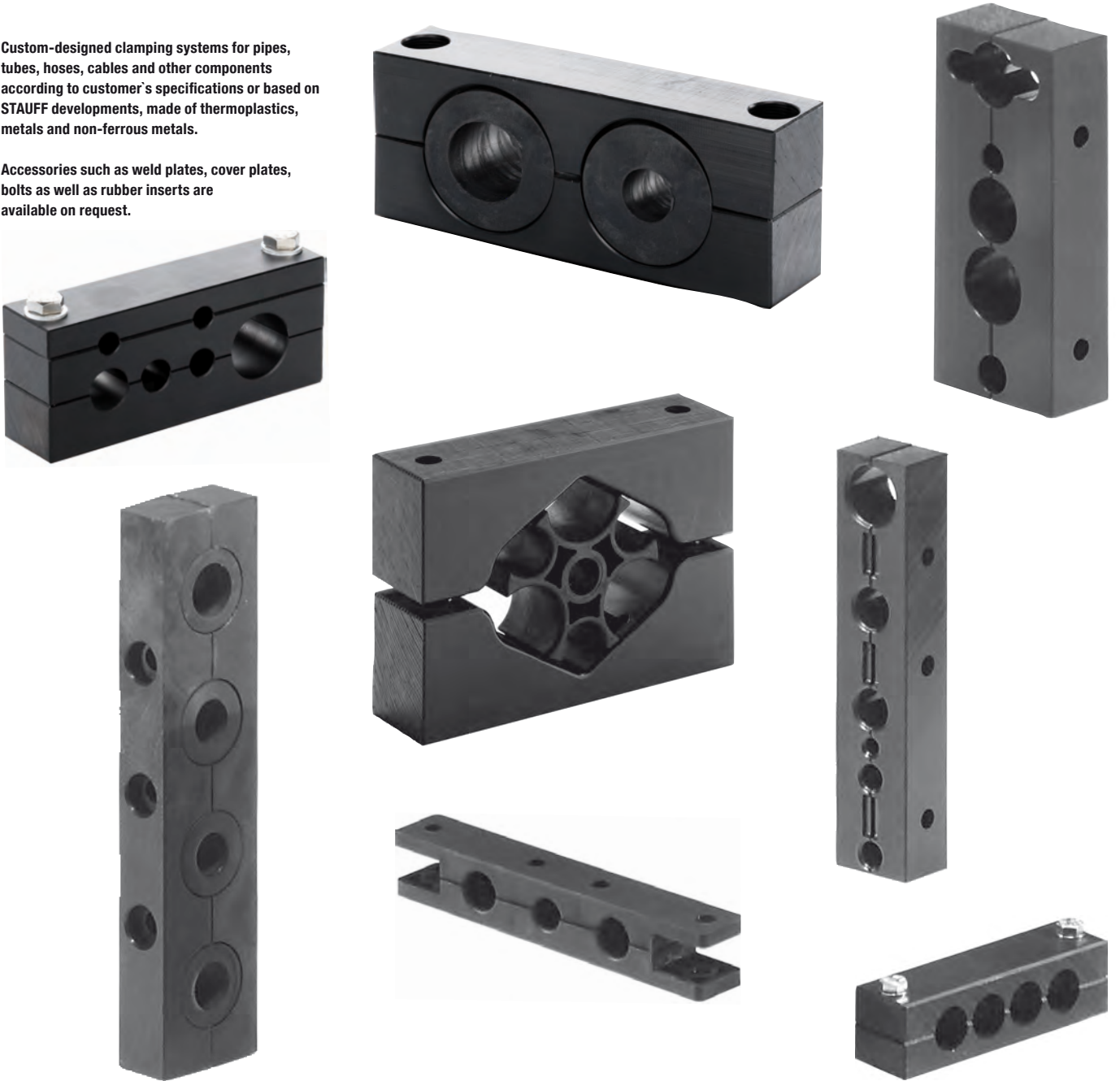
Custom-designed Plastic Saddle Clamps according to customer's specifications or based on STAUFF developments are available upon request.

Consult STAUFF for further information.

Machined Versions

Custom-designed clamping systems for pipes, tubes, hoses, cables and other components according to customer's specifications or based on STAUFF developments, made of thermoplastics, metals and non-ferrous metals.

Accessories such as weld plates, cover plates, bolts as well as rubber inserts are available on request.

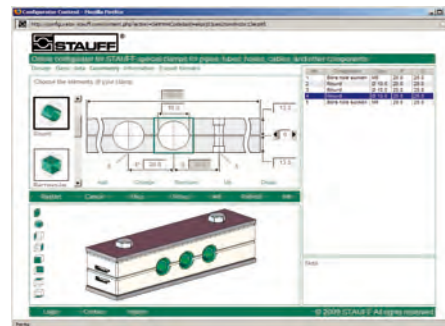


www.stauff.com/configurator

Online Configurator for Custom-Designed Clamps



Select the basic design of your clamp assembly.



Define the exact geometry of your clamp body.



Request a quotation and download 2D or 3D CAD file.

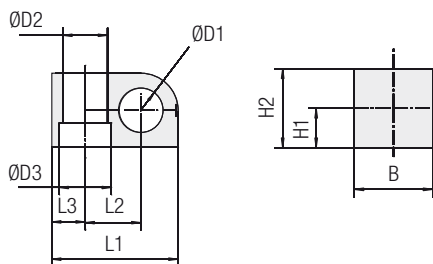
Injection Moulded Versions (Flexi Clamps)

Custom-designed clamping systems for pipes, tubes, hoses, cables and other components according to customer's specifications or based on STAUFF developments, made of Polypropylene, Polyamide and other thermoplastics.

Accessories such as weld plates, cover plates, bolts as well as rubber inserts are available on request.



Clamp Body - Single Design



Order Codes

Clamp Body *LBBU*1*06*SA*M8-U5/16

- * Light Series LBBU **LBBU**
- * STAUFF Group **1**
- * Exact outside diameter Ø D1 (mm) **06**
- * Material code (see below) **SA**
- * Thread code (suitable for bolts M8 and U5/16) **M8-U5/16**

Standard Materials



Thermoplastic Elastomer (87 Shore-A)
 Colour: Black
 Material code: **SA**

See page A86 for material properties and technical information.

Alternative materials are available upon request.
 Please consult STAUFF for further information.

Product Features

- Compact and light-weight design for applications in which space is limited
- Available in 3 different sizes and covering all standard metric and imperial diameters between 4 mm and 32 mm
- Vibration-damping and noise-reducing clamp body material with UV, ozone and weathering-resistant characteristics
- Advanced design with a film hinge allows the top part of the Plastic clamp body to open up and insert or replace the pipe, tube or hose without the use of force
- Embedded metal sleeve to ensure stability of the clamp assembly

Group	Outside Diameter Pipe / Tube / Hose Ø D1		Nominal Bore Pipe (in)	Order Codes (1 Clamp Body)	Dimensions (mm/in)										
	(mm)	(in)			Ø D2	Ø D3	L1	L2	L3	H1	H2	B			
1	6			LBBU 106 SA M8-U5/16											
	6,4	1/4		LBBU 106,4 SA M8-U5/16											
	8	5/16		LBBU 108 SA M8-U5/16											
	9,5	3/8		LBBU 109,5 SA M8-U5/16	12	14	34	15	9	10	20	20			
	10		1/8	LBBU 110 SA M8-U5/16	.47	.55	1.34	.59	.35	.39	.79	.79			
	11			LBBU 111 SA M8-U5/16											
	12			LBBU 112 SA M8-U5/16											
	12,7	1/2		LBBU 112,7 SA M8-U5/16											
	2	4			LBBU 204 SA M8-U5/16										
		6			LBBU 206 SA M8-U5/16										
6,4		1/4		LBBU 206,4 SA M8-U5/16											
8		5/16		LBBU 208 SA M8-U5/16											
9,5		3/8		LBBU 209,5 SA M8-U5/16											
10			1/8	LBBU 210 SA M8-U5/16											
11				LBBU 211 SA M8-U5/16											
12				LBBU 212 SA M8-U5/16	12	14	39	18	9	12	24	20			
12,7		1/2		LBBU 212,7 SA M8-U5/16	.47	.55	1.54	.71	.35	.47	.94	.79			
13,5			1/4	LBBU 213,5 SA M8-U5/16											
14				LBBU 214 SA M8-U5/16											
15				LBBU 215 SA M8-U5/16											
3	16	5/8		LBBU 216 SA M8-U5/16											
	17,2		3/8	LBBU 217,2 SA M8-U5/16											
	18			LBBU 218 SA M8-U5/16											
	19	3/4		LBBU 219 SA M8-U5/16											
	20			LBBU 220 SA M8-U5/16											
	21,3			LBBU 321,3 SA M8-U5/16											
	22	7/8		LBBU 322 SA M8-U5/16											
	23			LBBU 323 SA M8-U5/16											
	25			LBBU 325 SA M8-U5/16	12	14	57,5	23,5	15	20	40	30			
	25,4	1		LBBU 325,4 SA M8-U5/16	.47	.55	2.26	.93	.59	.79	1.57	1.18			
28			LBBU 328 SA M8-U5/16												
30			LBBU 330 SA M8-U5/16												
32	1-1/4		LBBU 332 SA M8-U5/16												

Additional outside diameters are available upon request. Please consult STAUFF for further information.

Light Series LBBU

Clamp Assemblies: Types of Mounting / Order Examples



Type of Mounting SP
 (with Weld Plate LBBU-SP)

Clamp assembly consisting of:

- 1 Hexagon Head Bolt AS
- 1 Cover Plate LBBU-DP
- 1 Sleeve LBBU-HUE
- 1 Clamp Body LBBU
- 1 Weld Plate LBBU-SP

Order Code

LBBU-SP 216 SA DP-AS M8 W10

W10 (Weld Plate made of Carbon Steel, phosphated; Other metal parts made of Carbon Steel, zinc/nickel-plated) is the standard option for this type of installation.
 For UNC threads / bolts, please replace M8 by U5/16.



Type of Mounting SM
 (with Hexagon Rail Nut SM 2-5D)

Clamp assembly consisting of:

- 1 Hexagon Head Bolt AS
- 1 Cover Plate LBBU-DP
- 1 Sleeve LBBU-HUE
- 1 Clamp Body LBBU
- 1 Hexagon Rail Nut SM 2-5D (for use with Mounting Rail TS, see page A14 for details)

Order Code (Mounting Rail TS not included.)

LBBU-SM 216 SA DP-AS M8 W3

W3 (Metal parts made of Carbon Steel, zinc/nickel-plated) is the standard option for this type of installation.
 For UNC threads / bolts, please replace M8 by U5/16.



Type of Mounting PM
 (for panel mounting without Weld Plate or Hexagon Rail Nut)

Clamp assembly consisting of:

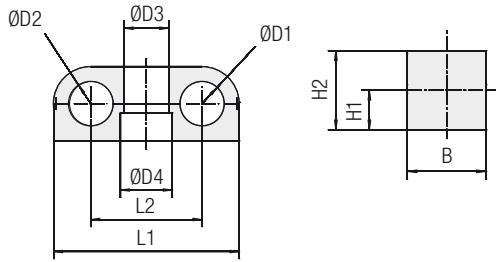
- 1 Hexagon Head Bolt AS
- 1 Cover Plate LBBU-DP
- 1 Sleeve LBBU-HUE
- 1 Clamp Body LBBU

Order Code

LBBU-PM 216 SA DP-AS M8 W3

W3 (Metal parts made of Carbon Steel, zinc/nickel-plated) is the standard option for this type of installation.
 For UNC threads / bolts, please replace M8 by U5/16.

Clamp Body - Twin Design



Group	Outside Diameters		Nominal Bore Pipe	Order Codes (1 Clamp Body)	Dimensions (mm/in)						
	Ø D1 / Ø D2	Ø D2			Ø D3	Ø D4	L1	L2	H1	H2	B
1D	4			LBBU 104/04 SA M8-U5/16	12	14	50	30	10	20	20
	6			LBBU 106/06 SA M8-U5/16							
	6,4	1/4		LBBU 106,4/06,4 SA M8-U5/16							
	8	5/16		LBBU 108/08 SA M8-U5/16							
	9,5	3/8		LBBU 109,5/09,5 SA M8-U5/16							
	10		1/8	LBBU 110/10 SA M8-U5/16							
	11			LBBU 111/11 SA M8-U5/16							
	12			LBBU 112/12 SA M8-U5/16							
	12,7	1/2		LBBU 112,7/12,7 SA M8-U5/16							
2D	4			LBBU 204/04 SA M8-U5/16	12	14	59	35	12	24	20
	6			LBBU 206/06 SA M8-U5/16							
	8	5/16		LBBU 208/08 SA M8-U5/16							
	9,5	3/8		LBBU 209,5/9,5 SA M8-U5/16							
	10		1/8	LBBU 210/10 SA M8-U5/16							
	11			LBBU 211/11 SA M8-U5/16							
	12			LBBU 212/12 SA M8-U5/16							
	12,7	1/2		LBBU 212,7/12,7 SA M8-U5/16							
	13,5		1/4	LBBU 213,5/13,5 SA M8-U5/16							
	14			LBBU 214/14 SA M8-U5/16							
	15			LBBU 215/15 SA M8-U5/16							
	16	5/8		LBBU 216/16 SA M8-U5/16							
	17,2		3/8	LBBU 217,2/17,2 SA M8-U5/16							
18			LBBU 218/18 SA M8-U5/16								
19	3/4		LBBU 219/19 SA M8-U5/16								
20			LBBU 220/20 SA M8-U5/16								
3D	21,3			LBBU 321,321,3 SA M8-U5/16	12	14	86	47	20	40	30
	22	7/8		LBBU 322/22 SA M8-U5/16							
	23			LBBU 323/23 SA M8-U5/16							
	25			LBBU 325/25 SA M8-U5/16							
	25,4	1		LBBU 325,4/25,4 SA M8-U5/16							
	28			LBBU 328/28 SA M8-U5/16							
	30			LBBU 330/30 SA M8-U5/16							
	32	1-1/4		LBBU 332/32 SA M8-U5/16							

Order Codes

Clamp Body *LBBU*1*06/06*SA*M8-U5/16

- * Light Series LBBU LBBU
- * 1st Part of STAUFF Group 1
- * Exact outside diameters Ø D1 / Ø D2 (mm) 06/06
- * Material code (see below) SA
- * Thread code (suitable for bolts M8 and U5/16) M8-U5/16

Standard Materials



Thermoplastic Elastomer (87 Shore-A)
Colour: Black
Material code: **SA**

See page A86 for material properties and technical information.

 Alternative materials are available upon request.
Please consult STAUFF for further information.

Product Features

- Compact and light-weight design for applications in which space is limited
- Available in 3 different sizes and covering all standard metric and imperial diameters between 4 mm and 32 mm
- Vibration-damping and noise-reducing clamp body material with UV, ozone and weathering-resistant characteristics
- Advanced design with a film hinge allows the top part of the Plastic clamp body to open up and insert or replace the pipe, tube or hose without the use of force
- Embedded metal sleeve to ensure stability of the clamp assembly



Please also ask for the **Anti-Twist Feature** to prevent turning of the components.
Consult STAUFF for further information.

Additional outside diameters and combinations of different outside diameters are available upon request.
Please consult STAUFF for further information.

Clamp Assemblies: Types of Mounting / Order Examples

Light Series LBBU


Type of Mounting SP
(with Weld Plate LBBU-SP)

Clamp assembly consisting of:

- 1 Hexagon Head Bolt AS
- 1 Cover Plate LBBU-DP
- 1 Sleeve LBBU-HUE
- 1 Clamp Body LBBU
- 1 Weld Plate LBBU-SP

Order Code
LBBU-SP 216/16 SA DP-AS M8 W10

W10 (Weld Plate made of Carbon Steel, phosphated; Other metal parts made of Carbon Steel, zinc/nickel-plated) is the standard option for this type of installation.
For UNC threads / bolts, please replace M8 by U5/16.


Type of Mounting SM
(with Hexagon Rail Nut SM 2-5D)

Clamp assembly consisting of:

- 1 Hexagon Head Bolt AS
- 1 Cover Plate LBBU-DP
- 1 Sleeve LBBU-HUE
- 1 Clamp Body LBBU
- 1 Hexagon Rail Nut SM 2-5D (for use with Mounting Rail TS, see page A14 for details)

Order Code (Mounting Rail TS not included.)

LBBU-SM 216/16 SA DP-AS M8 W3

W3 (Metal parts made of Carbon Steel, zinc/nickel-plated) is the standard option for this type of installation.
For UNC threads / bolts, please replace M8 by U5/16.


Type of Mounting PM
(for panel mounting without Weld Plate or Hexagon Rail Nut)

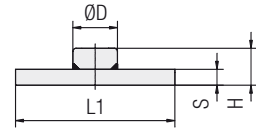
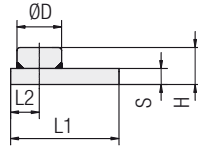
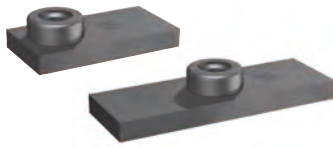
Clamp assembly consisting of:

- 1 Hexagon Head Bolt AS
- 1 Cover Plate LBBU-DP
- 1 Sleeve LBBU-HUE
- 1 Clamp Body LBBU

Order Code
LBBU-PM 216/16 SA DP-AS M8 W3

W3 (Metal parts made of Carbon Steel, zinc/nickel-plated) is the standard option for this type of installation.
For UNC threads / bolts, please replace M8 by U5/16.

Weld Plate
Type LBBU-SP



STAUFF Group 1 to 3

STAUFF Group 1D to 3D

Order Codes

Weld Plate

***LBBU-SP*1D*M8*W2**

- * Light Series LBBU **LBBU**
- * Weld Plate **-SP**
- * STAUFF Group **1D**
- * Thread code Metric ISO thread: M8 **M8**
 UNC thread: 5/16-18 UNC **U5/16**
- * Material code Carbon Steel, phosphated **W2**

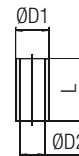
Group STAUFF	Dimensions (mm/in)						Thread G	Order Codes (Standard Options)
	Ø D	L1	L2	H	S			
1	14	34	9	10,3	5	M8	LBBU-SP 1 M8 W2	
	.55	1.34	.35	.41	.20	5/16-18 UNC	LBBU-SP 1 U5/16 W2	
2	14	39	9	10,3	5	M8	LBBU-SP 2 M8 W2	
	.55	1.54	.35	.41	.20	5/16-18 UNC	LBBU-SP 2 U5/16 W2	
3	14	57,5	15	10,3	5	M8	LBBU-SP 3 M8 W2	
	.55	2.26	.59	.41	.20	5/16-18 UNC	LBBU-SP 3 U5/16 W2	
1D	14	50	X	10,3	5	M8	LBBU-SP 1D M8 W2	
	.55	1.97		.41	.20	5/16-18 UNC	LBBU-SP 1D U5/16 W2	
2D	14	59		10,3	5	M8	LBBU-SP 2D M8 W2	
	.55	2.32		.41	.20	5/16-18 UNC	LBBU-SP 2D U5/16 W2	
3D	14	86		10,3	5	M8	LBBU-SP 3D M8 W2	
	.55	3.39		.41	.20	5/16-18 UNC	LBBU-SP 3D U5/16 W2	



Please also ask for the **Anti-Twist Feature** to prevent turning of the components. Consult STAUFF for further information.

All threaded parts are available with Metric ISO thread or unified coarse (UNC) thread according to dimension table. **Alternative sizes (e.g. for bolts M6 and 1/4-20 UNC), materials and surface finishings are available upon request.**

Sleeve
Type LBBU-HUE



Dimensions applicable only when used with Weld Plate LBBU-SP (**Type of Mounting SP**)

Dimensions applicable only when used with Hexagon Rail Nut SM 2-5D (**Type of Mounting SM**)

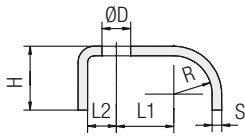
Dimensions applicable only when used for panel mounting without Weld Plate or Hexagon Rail Nut (**Type of Mounting PM**)

Group STAUFF	Dimensions (mm/in)			Order Codes (Standard Options)
	ØD1	ØD2	L	
1	12	9	13,5	LBBU-HUE 1/1D SP
	.47	.35	.53	M8-U5/16 W3
2	12	9	17,5	LBBU-HUE 2/2D SP
	.47	.35	.69	M8-U5/16 W3
3	12	9	33,5	LBBU-HUE 3/3D SP
	.47	.35	1.32	M8-U5/16 W3
1D	12	9	13,5	LBBU-HUE 1/1D SP
	.47	.35	.53	M8-U5/16 W3
2D	12	9	17,5	LBBU-HUE 2/2D SP
	.47	.35	.69	M8-U5/16 W3
3D	12	9	13,5	LBBU-HUE 3/3D SP
	.47	.35	1.32	M8-U5/16 W3

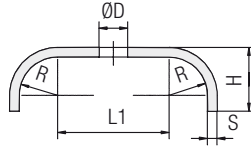
Group STAUFF	Dimensions (mm/in)			Order Codes (Standard Options)
	ØD1	ØD2	L	
1	12	9	12,8	LBBU-HUE 1/1D SM
	.47	.35	.50	M8-U5/16 W3
2	12	9	16,8	LBBU-HUE 2/2D SM
	.47	.35	.66	M8-U5/16 W3
3	12	9	32,8	LBBU-HUE 3/3D SM
	.47	.35	1.29	M8-U5/16 W3
1D	12	9	12,8	LBBU-HUE 1/1D SM
	.47	.35	.50	M8-U5/16 W3
2D	12	9	16,8	LBBU-HUE 2/2D SM
	.47	.35	.66	M8-U5/16 W3
3D	12	9	32,8	LBBU-HUE 3/3D SM
	.47	.35	1.29	M8-U5/16 W3

Group STAUFF	Dimensions (mm/in)			Order Codes (Standard Options)
	ØD1	ØD2	L	
1	12	9	18,8	LBBU-HUE 1/1D PM
	.47	.35	.74	M8-U5/16 W3
2	12	9	22,7	LBBU-HUE 2/2D PM
	.47	.35	.89	M8-U5/16 W3
3	12	9	38,8	LBBU-HUE 3/3D PM
	.47	.35	1.53	M8-U5/16 W3
1D	12	9	18,8	LBBU-HUE 1/1D PM
	.47	.35	.74	M8-U5/16 W3
2D	12	9	22,7	LBBU-HUE 2/2D PM
	.47	.35	.89	M8-U5/16 W3
3D	12	9	38,8	LBBU-HUE 3/3D PM
	.47	.35	1.53	M8-U5/16 W3

Alternative sizes (e.g. for bolts M6 and 1/4-20 UNC), materials and surface finishings are available upon request.

Cover Plate
Type LBBU-DP


STAUFF Group 1 to 3



STAUFF Group 1D to 3D



Group STAUFF	Dimensions (mm/in)						Order Codes (Standard Options)
	Ø D	L1	L2	R	H	S	
1	9	15	9	10	16	3	LBBU-DP 1 M8-U5/16 W3
	.35	.59	.35	.39	.63	.12	
2	9	18	9	12	20	3	LBBU-DP 2 M8-U5/16 W3
	.35	.71	.35	.47	.79	.12	
3	9	23,5	15	19,5	28	3	LBBU-DP 3 M8-U5/16 W3
1D	9	30	X	10	16	3	LBBU-DP 1D M8-U5/16 W3
	.35	1.18		.39	.63	.12	
2D	9	35		12	20	3	LBBU-DP 2D M8-U5/16 W3
	.35	1.38		.47	.79	.12	
3D	9	47	19,5	28	3	LBBU-DP 3D M8-U5/16 W3	
	.35	1.85	.77	.63	.12		

Alternative sizes (e.g. for bolts M6 and 1/4–20 UNC), materials and surface finishings are available upon request.

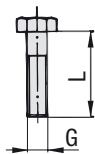


Please also ask for the **Anti-Twist Feature** to prevent turning of the components. Consult STAUFF for further information.

Order Codes

Cover Plate *LBBU-DP*1D*M8-U5/16*W3

* Light Series LBBU	LBBU
* Cover Plate	-DP
* STAUFF Group	1D
* Thread code (suitable for bolts M8 and U5/16)	M8-U5/16
* Material code Carbon Steel, zinc/nickel-plated	W3

 Hexagon Head Bolt
Type AS


Hexagon Head Bolt AS

(according to DIN 931 / 933 or ANSI / ASME B18.2.1.)

Dimensions applicable only when used with Weld Plate LBBU-SP (Type of Mounting SP) or Hexagon Rail Nut SM 2-5D (Type of Mounting SM)

Hexagon Head Bolt AS

(according to DIN 931 / 933 or ANSI / ASME B18.2.1.)

Dimensions applicable only when used for panel mounting without Weld Plate or Hexagon Rail Nut (Type of Mounting PM)



Group STAUFF	Dimensions (mm/in)		Order Codes (Standard Options)
	Thread	G x L	
1	M8 x 25		AS M8x25 W3
	5/16–18 UNC x 1		AS U5/16-18x1 W3
2	M8 x 28		AS M8x28 W3
	5/16–18 UNC x 1-1/8		AS U5/16-18x1-1/8 W3
3	M8 x 45		AS M8x45 W3
	5/16–18 UNC x 1-3/4		AS U5/16-18x1-3/4 W3
1D	M8 x 25		AS M8x25 W3
	5/16–18 UNC x 1		AS U5/16-18x1 W3
2D	M8 x 28		AS M8x28 W3
	5/16–18 UNC x 1-1/8		AS U5/16-18x1-1/8 W3
3D	M8 x 45		AS M8x45 W3
	5/16–18 UNC x 1-3/4		AS U5/16-18x1-3/4 W3

Group STAUFF	Dimensions (mm/in)		Order Codes (Standard Options)
	Thread	G x L	
1	M8 x 30		AS M8x30 W3
	5/16–18 UNC x 1-1/4		AS U5/16-18x1-1/4 W3
2	M8 x 35		AS M8x28 W3
	5/16–18 UNC x 1-3/8		AS U5/16-18x1-3/8 W3
3	M8 x 50		AS M8x45 W3
	5/16–18 UNC x 2		AS U5/16-18x2 W3
1D	M8 x 30		AS M8x30 W3
	5/16–18 UNC x 1-1/4		AS U5/16-18x1-1/4 W3
2D	M8 x 35		AS M8x28 W3
	5/16–18 UNC x 1-3/8		AS U5/16-18x1-3/8 W3
3D	M8 x 50		AS M8x45 W3
	5/16–18 UNC x 2		AS U5/16-18x2 W3

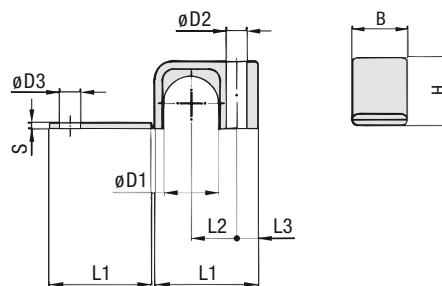
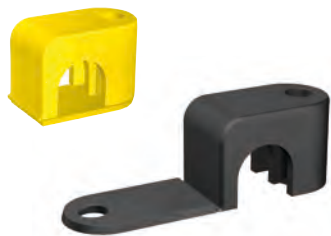
Order Codes

Hexagon Head Bolt *AS*M8x25*W3

* Type of bolt	Hexagon Head Bolt (according to DIN 931 / 933 or ANSI / ASME B18.2.1.)	AS
* Thread code	Thread dimension according to dimension table	M8x25
* Material code	Carbon Steel, zinc/nickel-plated	W3

All threaded parts are available with Metric ISO thread or unified coarse (UNC) thread according to dimension table. Alternative sizes (e.g. for bolts M6 and 1/4–20 UNC), materials and surface finishings are available upon request.

Clamp Body - Single Design



Order Codes

Clamp Body

***LB*1*03,2*PP**

- * Light Series: Clamp Body / Single Design **LB**
- * STAUFF Group **1**
- * Exact outside diameter Ø D1 (mm) **03,2**
- * Material code (see below) **PP**

Standard Materials



Polypropylene
Colour: Black
Material code: **PP**



Polyamide
Colour: Yellow
Material code: **PA**

See page A86 for material properties and technical information.

Alternative materials are available upon request.
Please consult STAUFF for further information.

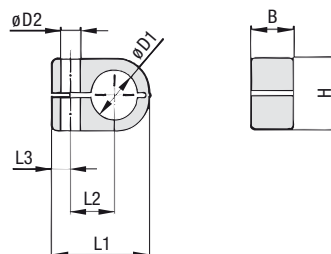
Applications

- Pneumatics, Instrumentation and Automotive Technology,
Machine Tool Industry, Lubrication, Mechanical Engineering

Group	Outside Diameter		Nominal Bore Pipe (in)	Order Codes (1 Clamp Body) (** = Material)	Dimensions (mm/in)							
	Pipe / Tube / Hose Ø D1 (mm)	(in)			L1	L2	L3	B	H	S	Ø D2	Ø D3
1	3,2	1/8		LB 103,2 **	22	9	6,5	12	10,5	2	6,8	7
	6			LB 106 **	.87	.35	.26	.47	.41	.08	.27	.28
	6,4	1/4		LB 106,4 **								
	8			LB 108 **								
2	9,5	3/8		LB 209,5 **								
	10		1/8	LB 210 **	27	11	7	16	15	2	6,8	7
	11,1			LB 211,1 **	1.06	.43	.28	.63	.59	.08	.27	.28
	12			LB 212 **								
3	12,7	1/2		LB 312,7 **								
	13,5		1/4	LB 313,5 **								
	14			LB 314 **								
	15			LB 315 **	34	15	7	20	22,5	2	6,8	7
	16	5/8		LB 316 **	1.34	.59	.28	.79	.89	.08	.27	.28
	17,2		3/8	LB 317,2 **								
4	18			LB 318 **								
	19	3/4		LB 419 **								
	20			LB 420 **								
	21,3		1/2	LB 421,3 **	42	19	7	20	30	2	6,8	7
	22			LB 422 **	1.65	.75	.28	.79	1.18	.08	.27	.28
	25			LB 425 **								
	25,4	1		LB 425,4 **								

Additional outside diameters are available upon request. Please consult STAUFF for further information.

Clamp Body - Single Design



Order Codes

Clamp Body

***LN*1*06*PP**

- * Light Series: Clamp Body / Single Design **LN**
- * STAUFF Group **1**
- * Exact outside diameter Ø D1 (mm) **06**
- * Material code (see below) **PP**

Standard Materials



Polypropylene
Colour: Green
Material code: **PP**



Polyamide
Colour: Black
Material code: **PA**

See page A86 for material properties and technical information.

Alternative materials are available upon request. Please consult STAUFF for further information.

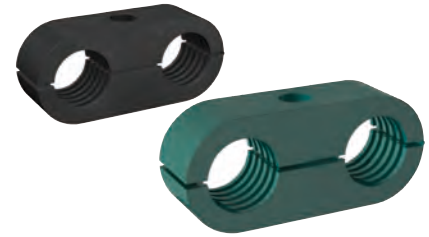
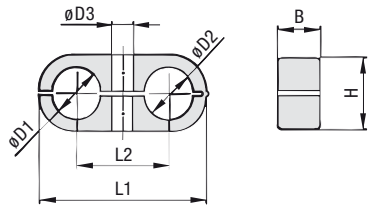
Applications

- Pneumatics, Instrumentation and Automotive Technology, Machine Tool Industry, Lubrication, Mechanical Engineering

Group	Outside Diameter Pipe / Tube / Hose Ø D1		Nominal Bore Pipe (in)	Order Codes (1 Clamp Body) (* = Material)	Dimensions (mm/in)					
	(mm)	(in)			L1	L2	L3	B	H	Ø D2
1	6			LN 106 **	22	9	7	14,5	13,5	6,8
	6,4	1/4		LN 106,4 **	.87	.35	.28	.57	.53	.27
	8			LN 108 **						
2	8			LN 208 **						
	9,5	3/8		LN 209,5 **	27	11	7	14,5	18,5	6,8
	10		1/8	LN 210 **	1.06	.43	.28	.57	.59	.27
	12			LN 212 **						
3	12,7	1/2		LN 212,7 **						
	10		1/8	LN 310 **						
	12			LN 312 **						
	12,7	1/2		LN 312,7 **						
	13,5		1/4	LN 313,5 **	33	15	7	14,5	23,5	6,8
	14			LN 314 **	1.30	.59	.28	.57	.93	.27
4	15			LN 315 **						
	16	5/8		LN 316 **						
	14			LN 414 **						
	15			LN 415 **						
	16	5/8		LN 416 **						
	17,2		3/8	LN 417,2 **	40	19	7	14,5	30,5	6,8
	18			LN 418 **	1.57	.75	.28	.57	1.20	.27
	19	3/4		LN 419 **						
20			LN 420 **							
21,3		1/2	LN 421,3 **							
22			LN 422 **							

Additional outside diameters are available upon request. Please consult STAUFF for further information.

Clamp Body ▪ Twin Design



Group STAUFF	Outside Diameters Pipe / Tube / Hose Ø D1 / Ø D2		Nominal Bore Pipe (in)	Order Codes (1 Clamp Body) (** = Material)	Dimensions (mm/in)				
	(mm)	(in)			L1	L2	B	H	Ø D2
1	6			LNGF 106/06 **	32	18	14,5	13,5	6,8
	6,4	1/4		LNGF 106,4/06,4 **	1.26	.70	.57	.53	.27
	8			LNGF 108/08 **					
2	8			LNGF 208/08 **					
	9,5	3/8		LNGF 209,5/09,5 **	41	22	14,5	18,5	6,8
	10		1/8	LNGF 210/10 **	1.61	.86	.57	.59	.27
	12			LNGF 212/12 **					
3	12,7	1/2		LNGF 212,7/12,7 **					
	10		1/8	LNGF 310/10 **					
	12			LNGF 312/12 **					
	12,7	1/2		LNGF 312,7/12,7 **	54	30	14,5	23,5	6,8
	13,5		1/4	LNGF 313,5/13,5 **	2.13	1.18	.57	.93	.27
	14			LNGF 314/14 **					
4	15			LNGF 315/15 **					
	16	5/8		LNGF 316/16 **					
	14			LNGF 414/14 **					
	15			LNGF 415/15 **					
	16	5/8		LNGF 416/16 **					
	17,2		3/8	LNGF 417,2/17,2 **	70	37	14,5	30,5	6,8
	18			LNGF 418/18 **	2.76	1.50	.57	1.20	.27
	19	3/4		LNGF 419/19 **					
20			LNGF 420/20 **						
21,3		1/2	LNGF 421,3/21,3 **						
22			LNGF 422/22 **						

Order Codes

Clamp Body

***LNGF*1*06/06*PP**

- * Light Series: Clamp Body / Twin Design with identical diameters **LNGF**
- Clamp Body / Twin Design with different diameters **LNUF**
- * STAUFF Group **1**
- * Exact outside diameters Ø D1 / Ø D2 (mm) **06/06**
- * Material code (see below) **PP**

Standard Materials

Polypropylene
Colour: Green
Material code: **PP**

Polyamide
Colour: Black
Material code: **PA**

See page A86 for material properties and technical information. Alternative materials are available upon request. Please consult STAUFF for further information.

Applications

- Pneumatics, Instrumentation and Automotive Technology, Machine Tool Industry, Lubrication, Mechanical Engineering

Additional outside diameters and combinations of different outside diameters (Clamp Body, type LNUF) are available upon request. Please consult STAUFF for further information.

 Cover Plate
Type DPL


Group STAUFF	Dimensions (mm/in)			Order Codes (Standard Options)
	L4	B2	Ø D4	
1	29,5	15,5	6,8	DPL 1 W3
	1.16	.61	.27	
2	40	15,5	6,8	DPL 2 W3
	1.57	.61	.27	
3	51	16	6,8	DPL 3 W3
	2.01	.63	.27	
4	63,5	16	6,8	DPL 4 W3
	2.50	.63	.27	

Order Codes

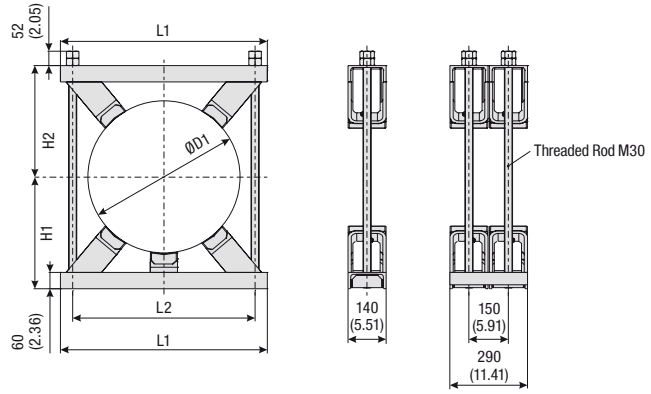
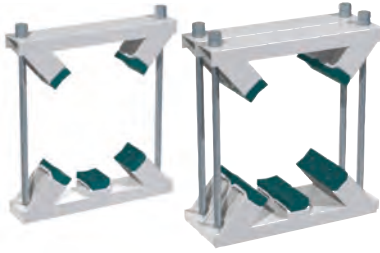
Cover Plate

***DPL*1*W3**

- * Cover Plate for Clamp Body / Twin Design **DPL**
- * STAUFF Group **1**
- * Material code Carbon Steel, zinc/nickel-plated **W3**

Alternative materials and surface finishings are available upon request. Consult STAUFF for further information. Please note: The maximum tightening torque for bolts is 2,5 N·m (1.85 ft·lb).

Construction Series
Types KS (Single Version) / DKS (Double Version)



Order Codes

Construction Series *KS*220*W7*PP

* Version Single version **KS**
 Double version **DKS**

* Exact outside diameter ØD1 (mm) **220**

* Material Code Steel, prime coated **W7**
 Steel, hot-dip galvanised **W40**

* Material of Plastic Pads (see below) **PP**

Please note: All items are supplied non-assembled.

Standard Materials for Plastic Pads

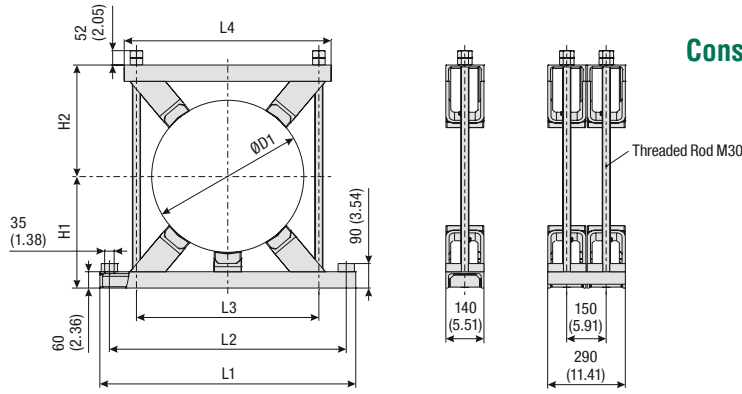
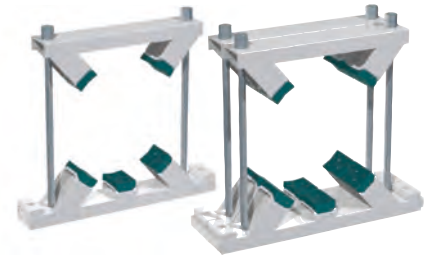
Polypropylene
Colour: Green
Material Code: **PP**

Polyamide
Colour: Black
Material Code: **PA**

See page A86 for material properties and technical information.

Group	Outside Diameter ØD1 Pipe / Tube		Standard Diameters		Dimensions (mm/in)				No. of Plastic Pads		
	STAUFF	(mm)	(in)	(mm)	(in)	L1	L2	H1		H2	
1	220 ... 275	8.66 ... 10.85	220	8.66	420	16.54	330	12.99	220	8.66	4
			247	9.72							
			267	10.51							
			273	10.75							
2	276 ... 325	10.87 ... 12.80	280	11.02	460	18.11	370	14.57	240	9.45	4
			300	11.81							
			318	12.52							
			323,9	12.75							
3	326 ... 370	12.83 ... 14.57	355,6	14.00	510	20.08	420	16.53	260	10.23	4
			368	14.49							
4	371 ... 425	14.61 ... 16.73	390	15.35	570	22.44	480	18.89	290	11.42	4
			406,4	16.00							
5	426 ... 485	16.77 ... 19.09	457,2	18.00	620	24.41	530	20.87	305	12.01	4
			470	18.50							
6	486 ... 550	19.13 ... 21.65	490	19.29	680	26.77	590	23.23	370	14.57	4
			508	20.00							
			521	20.51							
			546	21.50							
7	551 ... 630	21.69 ... 24.80	558,8	22.00	760	29.92	670	26.38	410	16.14	5
			609,6	24.00							
8	631 ... 715	24.84 ... 28.15	711	28.00	845	33.27	755	29.72	452	17.80	5
9	716 ... 800	28.19 ... 31.50	762	30.00	940	37.00	850	33.46	495	19.49	5
10			813	32.00	990	38.97	900	35.43	500	19.69	5
11			1000	39.37	1200	47.24	1100	43.30	591,5	23.29	5
12			1016	40.00	1200	47.24	1100	43.30	602	23.70	5

Alternative outside diameters, materials and surface finishings are available upon request. Consult STAUFF for further information.


Construction Series for Anchor Bolt Fastening Types KSV (Single) / DKSV (Double)

 STAUFF
Clamps
A

Group STAUFF	Outside Diameter ØD1 Pipe / Tube Diameter Range		Standard Diameters		Dimensions (mm/in)						No. of Plastic Pads
	(mm)	(in)	(mm)	(in)	L1	L2	L3	L4	H1	H2	
1	220 ... 275	8.66 ... 10.85	220	8.66	580	330	490	420	220	220	4
			247	9.72							
			267	10.51							
			273	10.75							
2	276 ... 325	10.87 ... 12.80	280	11.02	620	370	530	460	240	240	4
			300	11.81							
			318	12.52							
			323,9	12.75							
3	326 ... 370	12.83 ... 14.57	355,6	14.00	670	420	580	510	260	260	4
			368	14.49							
4	371 ... 425	14.61 ... 16.73	390	15.35	750	480	640	570	290	290	4
			406,4	16.00							
5	426 ... 485	16.77 ... 19.09	457,2	18.00	800	530	730	620	305	305	4
			470	18.50							
6	486 ... 550	19.13 ... 21.65	490	19.29	860	590	790	680	370	370	4
			508	20.00							
			521	20.51							
			546	21.50							
7	551 ... 630	21.69 ... 24.80	558,8	22.00	940	670	870	760	410	410	5
			609,6	24.00							
8	631 ... 715	24.84 ... 28.15	711	28.00	1025	755	955	845	452	452	5
					40.31	29.72	37.60	33.27	17.80	17.80	
9	716 ... 800	28.19 ... 31.50	762	30.00	1120	850	1050	940	495	495	5
					44.09	33.46	41.33	37.00	19.49	19.49	
10			813	32.00	1170	900	1100	990	500	500	5
					46.06	35.43	43.30	38.97	19.69	19.69	
11			1000	39.37	1400	1100	1300	1200	591,5	593	5
					55.12	43.30	51.18	47.24	23.29	23.34	
12			1016	40.00	1400	1100	1300	1200	602	602	5
					55.12	43.30	51.18	47.24	23.70	23.70	

Order Codes
Construction Series *KSV*220*W7*PP

* Version	Single version	KSV
	Double version	DKSV
* Exact outside diameter ØD1 (mm)		220
* Material Code	Steel, prime coated	W7
	Steel, hot-dip galvanised	W40
* Material of Plastic Pads (see below)		PP

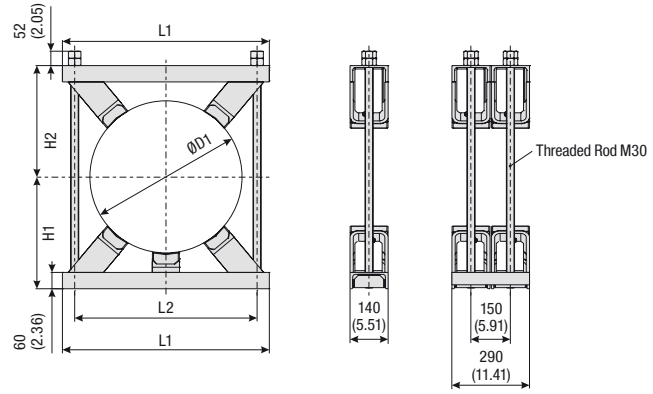
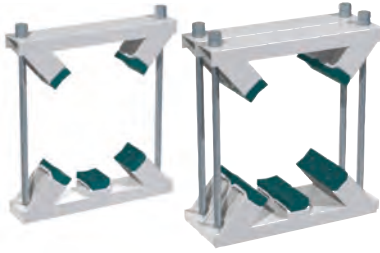
Please note: All items are supplied non-assembled.

Standard Materials for Plastic Pads
Polypropylene
 Colour: Green
 Material Code: **PP**
Polyamide
 Colour: Black
 Material Code: **PA**

See page A86 for material properties and technical information.

Alternative outside diameters, materials and surface finishings are available upon request. Consult STAUFF for further information.

Construction Series
Types KS (Single Version) / DKS (Double Version)



Order Codes

Construction Series *KS*220*W7*PP

* Version Single version **KS**
 Double version **DKS**

* Exact outside diameter ØD1 (mm) **220**

* Material Code Steel, prime coated **W7**
 Steel, hot-dip galvanised **W40**

* Material of Plastic Pads (see below) **PP**

Please note: All items are supplied non-assembled.

Standard Materials for Plastic Pads

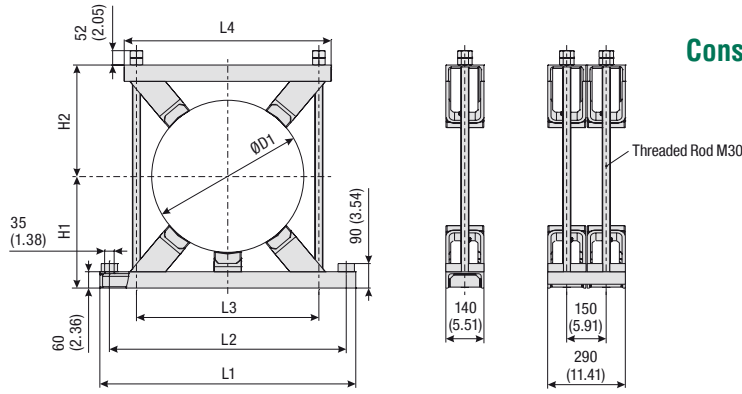
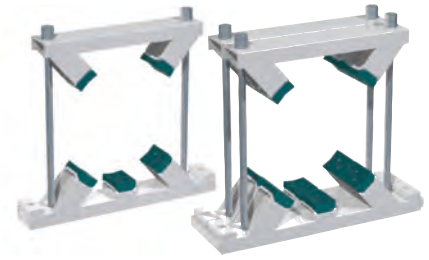
Polypropylene
Colour: Green
Material Code: **PP**

Polyamide
Colour: Black
Material Code: **PA**

See page A86 for material properties and technical information.

Group	Outside Diameter ØD1 Pipe / Tube		Standard Diameters		Dimensions (mm/in)				No. of Plastic Pads		
	STAUFF	(mm)	(in)	(mm)	(in)	L1	L2	H1		H2	
1	220 ... 275	8.66 ... 10.85	220	8.66	420	16.54	330	12.99	220	8.66	4
			247	9.72							
			267	10.51							
			273	10.75							
2	276 ... 325	10.87 ... 12.80	280	11.02	460	18.11	370	14.57	240	9.45	4
			300	11.81							
			318	12.52							
			323,9	12.75							
3	326 ... 370	12.83 ... 14.57	355,6	14.00	510	20.08	420	16.53	260	10.23	4
			368	14.49							
4	371 ... 425	14.61 ... 16.73	390	15.35	570	22.44	480	18.89	290	11.42	4
			406,4	16.00							
5	426 ... 485	16.77 ... 19.09	457,2	18.00	620	24.41	530	20.87	305	12.01	4
			470	18.50							
6	486 ... 550	19.13 ... 21.65	490	19.29	680	26.77	590	23.23	370	14.57	4
			508	20.00							
			521	20.51							
			546	21.50							
7	551 ... 630	21.69 ... 24.80	558,8	22.00	760	29.92	670	26.38	410	16.14	5
			609,6	24.00							
8	631 ... 715	24.84 ... 28.15	711	28.00	845	33.27	755	29.72	452	17.80	5
9	716 ... 800	28.19 ... 31.50	762	30.00	940	37.00	850	33.46	495	19.49	5
10			813	32.00	990	38.97	900	35.43	500	19.69	5
11			1000	39.37	1200	47.24	1100	43.30	591,5	23.29	5
12			1016	40.00	1200	47.24	1100	43.30	602	23.70	5

Alternative outside diameters, materials and surface finishings are available upon request. Consult STAUFF for further information.


Construction Series for Anchor Bolt Fastening Types KSV (Single) / DKSV (Double)


Group STAUFF	Outside Diameter ØD1 Pipe / Tube Diameter Range		Standard Diameters		Dimensions (mm/in)						No. of Plastic Pads
	(mm)	(in)	(mm)	(in)	L1	L2	L3	L4	H1	H2	
1	220 ... 275	8.66 ... 10.85	220	8.66	580	330	490	420	220	220	4
			247	9.72							
			267	10.51							
			273	10.75							
2	276 ... 325	10.87 ... 12.80	280	11.02	620	370	530	460	240	240	4
			300	11.81							
			318	12.52							
			323,9	12.75							
3	326 ... 370	12.83 ... 14.57	355,6	14.00	670	420	580	510	260	260	4
			368	14.49							
4	371 ... 425	14.61 ... 16.73	390	15.35	750	480	640	570	290	290	4
			406,4	16.00							
5	426 ... 485	16.77 ... 19.09	457,2	18.00	800	530	730	620	305	305	4
			470	18.50							
6	486 ... 550	19.13 ... 21.65	490	19.29	860	590	790	680	370	370	4
			508	20.00							
			521	20.51							
			546	21.50							
7	551 ... 630	21.69 ... 24.80	558,8	22.00	940	670	870	760	410	410	5
			609,6	24.00							
8	631 ... 715	24.84 ... 28.15	711	28.00	1025	755	955	845	452	452	5
					40.31	29.72	37.60	33.27	17.80	17.80	
9	716 ... 800	28.19 ... 31.50	762	30.00	1120	850	1050	940	495	495	5
					44.09	33.46	41.33	37.00	19.49	19.49	
10			813	32.00	1170	900	1100	990	500	500	5
					46.06	35.43	43.30	38.97	19.69	19.69	
11			1000	39.37	1400	1100	1300	1200	591,5	593	5
					55.12	43.30	51.18	47.24	23.29	23.34	
12			1016	40.00	1400	1100	1300	1200	602	602	5
					55.12	43.30	51.18	47.24	23.70	23.70	

Order Codes
Construction Series *KSV*220*W7*PP

* Version Single version **KSV**
 Double version **DKSV**

* Exact outside diameter ØD1 (mm) **220**

* Material Code Steel, prime coated **W7**
 Steel, hot-dip galvanised **W40**

* Material of Plastic Pads (see below) **PP**

Please note: All items are supplied non-assembled.

Standard Materials for Plastic Pads

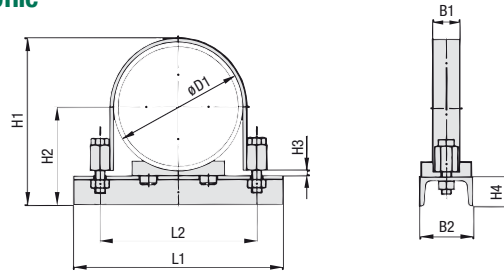
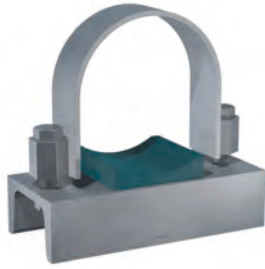
Polypropylene
 Colour: Green
 Material Code: **PP**

Polyamide
 Colour: Black
 Material Code: **PA**

See page A86 for material properties and technical information.

Alternative outside diameters, materials and surface finishings are available upon request. Consult STAUFF for further information.

Flat Steel U-Bolt with Plastic Pipe Saddle (Short) and U-Profile
Type FB+RUK (To be used as Fixed Point Clamps only)



Flat Steel U-Bolt (type FB) with Plastic Pipe Saddle (type RUK), U-Profile and Hexagon Head Bolts

Order Codes

Clamp Assembly *FB+RUK*PP*48,3*W1

One clamp assembly is consisting of one Flat Steel U-Bolt (type FB), one Plastic Pipe Saddle (type RUK), one U-Profile (to DIN 1026) with two Nuts (to DIN EN ISO 4032) and two Hexagon Head Bolts (to DIN EN ISO 4014 / 4017).

- * Clamp Assembly (as listed above) **FB+RUK**
- * Material of Pipe Saddle (see below) **PP**
- * Exact outside diameter Ø D1 (mm) **48,3**
- * Material code Carbon Steel, untreated **W1**
 Carbon Steel, zinc-plated (Fe/Zn 8 C) **W3**
 Stainless Steel V4A **W5**
 1.4401 / 1.4571 (AISI 316 / 316 Ti) **W5**
 Carbon Steel, Plastic coated **W6**

Please note: All items are supplied non-assembled.

Standard Materials for Plastic Pipe Saddles



Polypropylene
 Colour: Green
 Material code: **PP**



Polyamide
 Colour: Black
 Material code: **PA**

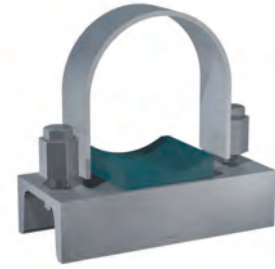
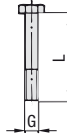
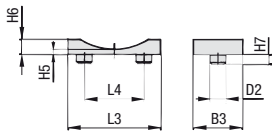
See page A86 for material properties and technical information.

Alternative materials are available upon request.
 Please consult STAUFF for further information.

Diameter Nominal DN	Outside Diameter Pipe / Tube Ø D1 (mm) (in)		Nominal Bore Pipe (in)	Dimensions (mm/in)						U-Profile (DIN 1026) B2 x H4
	Flat Steel U-Bolt (Type FB)			L1	L2	H1	H2	H3	B1	
40	48,3	1.93	1-1/2	100	76	95	67	5	20 x 3	50 x 38
				3.94	2.99	3.74	2.64	.20	.78 x .12	1.97 x 1.50
50	57	2.28	2	115	85	103	71,5	5	20 x 3	50 x 38
				4.53	3.35	4.06	2.81	.20	.78 x .12	1.97 x 1.50
65	60,3	2.41	2	115	88	106	73,2	5	20 x 3	50 x 38
				4.53	3.46	4.17	2.88	.20	.78 x .12	1.97 x 1.50
80	76,1	3.04	2-1/2	132	104	122	81	5	20 x 3	50 x 38
				5.20	4.09	4.80	3.19	.20	.78 x .12	1.97 x 1.50
100	88,9	3.56	3	160	122	146	97,5	8	40 x 4	80 x 45
				6.30	4.80	5.75	3.84	.31	1.57 x .16	3.15 x 1.77
125	108	4.32	4	170	140	165	107	8	40 x 4	80 x 45
				6.69	5.51	6.50	4.21	.31	1.57 x .16	3.15 x 1.77
150	114,3	4.57	4	180	147	171	110	8	40 x 4	80 x 45
				7.09	5.79	6.73	4.33	.31	1.57 x .16	3.15 x 1.77
175	133	5.32	5	210	165	190	119,5	8	40 x 4	80 x 45
				8.27	6.50	7.48	4.70	.31	1.57 x .16	3.15 x 1.77
200	139,7	5.59	5	210	172	197	123	8	40 x 4	80 x 45
				8.27	6.77	7.76	4.84	.31	1.57 x .16	3.15 x 1.77
250	159	6.36	6	265	201	220	132,5	8	40 x 6	80 x 45
				1.43	7.91	8.66	5.22	.31	1.57 x .24	3.15 x 1.77
300	168,3	6.73	6	275	211	230	137	8	40 x 6	80 x 45
				1.83	8.31	9.06	5.39	.31	1.57 x .24	3.15 x 1.77
350	193,7	7.75	8	305	236	255	150	8	40 x 6	80 x 45
				12.01	9.29	1.04	5.91	.31	1.57 x .24	3.15 x 1.77
400	216	8.64	8	320	260	277	161	8	40 x 6	80 x 45
				12.60	1.24	1.91	6.34	.31	1.57 x .24	3.15 x 1.77
450	219,1	8.76	8	320	261	280	162,5	8	40 x 6	80 x 45
				12.60	1.28	11.02	6.40	.31	1.57 x .24	3.15 x 1.77
500	267	10.68	10	380	325	328	186,5	8	40 x 8	80 x 45
				14.96	12.80	12.91	7.34	.31	1.57 x .31	3.15 x 1.77
550	273	10.92	10	385	330	334	189,5	8	40 x 8	80 x 45
				15.16	12.99	13.15	7.46	.31	1.57 x .31	3.15 x 1.77
600	318	12.72	12	440	375	382	212	8	40 x 8	80 x 45
				17.32	14.76	15.04	8.35	.31	1.57 x .31	3.15 x 1.77
650	323,9	12.96	12	450	382	390	215	8	40 x 8	80 x 45
				17.72	15.04	15.35	8.46	.31	1.57 x .31	3.15 x 1.77
700	355,6	14.22	14	480	420	421	235	12	60 x 8	100 x 50
				18.90	16.54	16.57	9.25	.47	2.36 x .31	3.94 x 1.97
750	368	14.72	14	490	430	434	242	12	60 x 8	100 x 50
				19.29	16.93	17.09	9.53	.47	2.36 x .31	3.94 x 1.97
800	406,4	16.26	16	550	470	472	261	12	60 x 8	100 x 50
				21.65	18.50	18.58	1.28	.47	2.36 x .31	3.94 x 1.97
850	419	16.76	16	550	482	485	267,5	12	60 x 8	100 x 50
				21.65	18.98	19.09	1.53	.47	2.36 x .31	3.94 x 1.97
900	457	18.28	18	585	520	523	286,5	12	60 x 8	100 x 50
				23.03	2.47	2.59	11.28	.47	2.36 x .31	3.94 x 1.97
950	508	20.32	20	630	570	574	312	12	60 x 8	100 x 50
				24.80	22.44	22.60	12.28	.47	2.36 x .31	3.94 x 1.97
1000	521	20.84	20	640	585	587	319	12	60 x 8	100 x 50
				25.20	23.03	23.11	12.56	.47	2.36 x .31	3.94 x 1.97

Alternative materials and surface finishings are available upon request. Consult STAUFF for further information.

Flat Steel U-Bolt with Plastic Pipe Saddle (Short) and U-Profile (To be used as Fixed Point Clamps only) Type FB+RUK


Plastic Pipe Saddle (type RUK)

(For size DN 40, dimension L4 is staggered by 90°)

Hexagon Head Bolt AS

(according to DIN EN ISO 4014 / 4017)

Diameter Nominal DN	Outside Diameter Pipe / Tube Ø D1		Nominal Bore Pipe (in)	Dimensions (mm/in)							Hexagon Head Bolt (DIN EN ISO 4014 / 4017) Thread G x L
	(mm)	(in)		Plastic Pipe Saddle (type RUK)							
				L3	L4	B3	D2	H5	H6	H7	
40	48,3	1.93	1-1/2	24	25	35	8	5	8	5	M10 x 40
				.94	.98	1.38	.31	.20	.31	.20	
50	57	2.28		38	25	50	10	5	10	6	M10 x 40
	60,3	2.41	2	1.50	.98	1.97	.39	.20	.39	.24	
65	76,1	3.04	2-1/2	38	25	50	10	5	10	6	M10 x 40
				1.50	.98	1.97	.39	.20	.39	.24	
80	88,9	3.56	3	75	40	70	15	8	17	10	M 12 x 55
				2.95	1.57	2.76	.59	.31	.67	.39	
100	108	4.32		75	40	70	15	8	17	10	M 12 x 55
	114,3	4.57	4	2.95	1.57	2.76	.59	.31	.67	.39	
125	133	5.32		75	40	70	15	8	17	10	M 12 x 55
				2.95	1.57	2.76	.59	.31	.67	.39	
150	159	6.36		75	40	70	15	8	17	10	M 12 x 55
				2.95	1.57	2.76	.59	.31	.67	.39	
175	193,7	7.75		140	90	75	25	8	26	10	M 16 x 75
				5.51	3.54	2.95	.98	.31	1.02	.39	
200	216	8.64		140	90	75	25	8	26	10	M 16 x 75
				5.51	3.54	2.95	.98	.31	1.02	.39	
250	219,1	8.76	8	140	90	75	25	8	26	10	M 16 x 75
				5.51	3.54	2.95	.98	.31	1.02	.39	
250	267	10.68		140	90	75	25	8	26	10	M 20 x 80
				5.51	3.54	2.95	.98	.31	1.02	.39	
250	273	10.92	10	140	90	75	25	8	26	10	M 20 x 80
				5.51	3.54	2.95	.98	.31	1.02	.39	
300	318	12.72		220	150	75	30	8	32	10	M 20 x 80
				8.66	5.91	2.95	1.18	.31	1.26	.39	
300	323,9	12.96	12	220	150	75	30	8	32	10	M 20 x 80
				8.66	5.91	2.95	1.18	.31	1.26	.39	
350	355,6	14.22	14	220	150	75	30	8	32	10	M 24 x 100
				8.66	5.91	2.95	1.18	.31	1.26	.39	
350	368	14.72		220	150	75	30	8	32	10	M 24 x 100
				8.66	5.91	2.95	1.18	.31	1.26	.39	
400	406,4	16.26	16	220	150	75	30	8	32	10	M 24 x 100
				8.66	5.91	2.95	1.18	.31	1.26	.39	
400	419	16.76		220	150	75	30	8	32	10	M 24 x 100
				8.66	5.91	2.95	1.18	.31	1.26	.39	
400	457	18.28	18	220	150	75	30	8	32	10	M 24 x 100
				8.66	5.91	2.95	1.18	.31	1.26	.39	
500	508	20.32	20	220	150	75	30	8	32	10	M 24 x 100
				8.66	5.91	2.95	1.18	.31	1.26	.39	
500	521	20.84		220	150	75	30	8	32	10	M 24 x 100
				8.66	5.91	2.95	1.18	.31	1.26	.39	

Order Codes

only Flat Steel U-Bolt

***FB*A 48,3*W1**

- * Flat Steel U-Bolt **FB**
- * Exact outside diameter Ø D1 (mm) **A 48,3**
- * Material code Carbon Steel, untreated **W1**
- Carbon Steel, zinc-plated (Fe/Zn 8 C) **W3**
- Stainless Steel V4A **W5**
- 1.4401 / 1.4571 (AISI 316 / 316 Ti)
- Carbon Steel, Plastic coated **W6**

only Plastic Pipe Saddle

***RUK*48,3*PP**

- * Plastic Pipe Saddle (Short) **RUK**
- * Exact outside diameter Ø D1 (mm) **48,3**
- * Material of Pipe Saddle (see below) **PP**

Please note: All items are supplied non-assembled.

Standard Materials for Plastic Pipe Saddles


Polypropylene
 Colour: Green
 Material code: **PP**

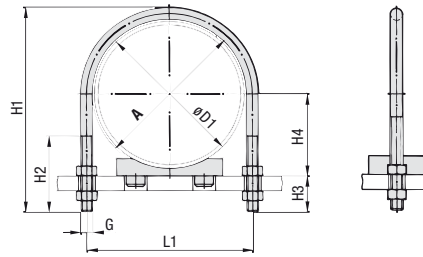
Polyamide
 Colour: Black
 Material code: **PA**

See page A86 for material properties and technical information.

 Alternative materials are available upon request.
 Please consult STAUFF for further information.

Alternative materials and surface finishings are available upon request. Consult STAUFF for further information.

**Round Steel U-Bolt with Plastic Pipe Saddle (Short)
Type RB+RUK**



Round Steel U-Bolt (type RB) with Plastic Pipe Saddle (type RUK)

Order Codes

Clamp Assembly *RB*W1*RUK*PP*48,3

One clamp assembly is consisting of one Round Steel U-Bolt (type RB), one Plastic Pipe Saddle (type RUK) and four Nuts (to DIN EN ISO 4032).

- * Round Steel U-Bolt **RB**
- * Material code Carbon Steel, untreated **W1**
- Stainless Steel V4A **W5**
- 1.4401 / 1.4571 (AISI 316 / 316 Ti)
- Carbon Steel, Plastic coated **W6**
- Carbon Steel, zinc-plated and thick-film passivated **W66**
- * Plastic Pipe Saddle (Short) **RUK/**
- * Material of Pipe Saddle (see below) **PP**
- * Exact outside diameter Ø D1 (mm) **48,3**

Please note: All items are supplied non-assembled.

Standard Materials for Plastic Pipe Saddles



Polypropylene
Colour: Green
Material code: **PP**



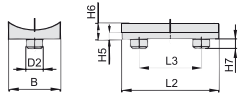
Polyamide
Colour: Black
Material code: **PA**

See page A86 for material properties and technical information.

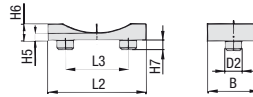
Alternative materials are available upon request.
Please consult STAUFF for further information.

Diameter Nominal DN	Outside Diameter Pipe / Tube Ø D1 (mm) (in)		Nominal Bore Pipe (in)	Dimensions (mm/in)						
	Round Steel U-Bolt (Type RB)			A	L1	H1	H2	H3	H4	Thread G
20	25	.98	3/4	30	40	73,5	41	30	17,5	M10
	26,9	1.06			1.18	1.57	2.89	1.61	1.18	
25	30	1.18	1	38	48	81	48	30	20	M10
	33,7	1.33			1.50	1.89	3.19	1.89	1.18	
32	38	1.50	1-1/4	46	56	89	48	30	24	M10
	42,4	1.69			1.81	2.20	3.50	1.89	1.18	
40	44,5	1.76	1-1/2	52	62	100	55	35	27,2	M10
	48,3	1.90			2.05	2.44	3.94	2.17	1.38	
50	57	2.28	2	64	76	118	63	39	33,5	M12
	60,3	2.41			2.52	2.99	4.65	2.48	1.54	
65	76,1	3.04	2-1/2	82	94	135	77	39	43	M12
	80	3.56			3	3.70	5.31	3.03	1.54	
100	108	4.32	4	120	136	190	105	49	62	M12
	114,3	4.57			4.72	4.17	5.98	3.23	1.61	
125	133	5.32	5	148	164	217	105	49	74,5	M16
	139,7	5.59			5.83	6.46	8.54	4.13	1.93	
150	159	6.36	6	176	192	247	105	51	87,5	M16
	168,3	6.73			6.93	7.56	9.72	4.13	2.01	
175	193,7	7.75	8	202	218	273	105	51	105	M16
	200	8.64			7.96	8.58	10.75	4.13	2.01	
200	216	8.64	8	228	248	311	125	59	116	M20
	219,1	8.76			8.98	9.76	12.24	4.92	2.32	
250	267	10.68	10	282	302	364	125	59	141,5	M20
	273	10.92			11.10	11.89	14.33	4.92	2.32	
300	318	12.72	12	332	352	418	125	62	167	M20
	323,9	12.96			13.07	13.86	16.46	4.92	2.44	
350	355,6	14.22	14	378	402	475	145	70	186	M24
	368	14.72			14.88	15.83	18.70	5.71	2.76	
400	406,4	16.26	16	428	452	526	145	70	211	M24
	419	16.76			16.85	17.80	20.71	5.71	2.76	
500	508	20.32	20	530	554	627	145	70	262	M24
	521	20.84			20.87	21.81	24.69	5.71	2.76	

Round Steel U-Bolt with Plastic Pipe Saddle (Short) Type RB+RUK



Plastic Pipe Saddle (type RUK)
(For sizes DN 20 to DN 40)



Plastic Pipe Saddle (type RUK)
(From size DN 50 on)



Diameter Nominal DN	Outside Diameter Pipe / Tube Ø D1 (mm) (in)		Nominal Bore Pipe (in)	Dimensions (mm/in) Plastic Pipe Saddle (Type RUK)							
	A	L2		L3	B	H5	H6	H7	D2		
20	25	.98		30	35	25	24	5	8	5	8
	26,9	1.06	3/4	1.18	1.38	.98	.94	.20	.31	.20	.31
25	30	1.18		38	35	25	24	5	8	5	8
	33,7	1.33	1	1.50	1.38	.98	.94	.20	.31	.20	.31
32	38	1.50		46	35	25	24	5	8	5	8
	42,4	1.69	1-1/4	1.81	1.38	.98	.94	.20	.31	.20	.31
40	44,5	1.76		52	35	25	24	5	8	5	8
	48,3	1.90	1-1/2	2.05	1.38	.98	.94	.20	.31	.20	.31
50	57	2.28		64	38	25	50	5	10	6	10
	60,3	2.41	2	2.52	1.50	.98	1.97	.20	.39	.24	.39
65	76,1	3.04	2-1/2	82	38	25	50	5	10	6	10
				3.23	1.50	.98	1.97	.20	.39	.24	.39
80	88,9	3.56	3	94	75	40	70	8	17	10	15
				3.70	2.95	1.57	2.76	.31	.67	.39	.59
100	108	4.32		120	75	40	70	8	17	10	15
	114,3	4.57	4	4.72	2.95	1.57	2.76	.31	.67	.39	.59
125	133	5.32		148	75	40	70	8	17	10	15
	139,7	5.59	5	5.83	2.95	1.57	2.76	.31	.67	.39	.59
150	159	6.36		176	140	90	75	8	26	10	25
	168,3	6.73	6	6.93	5.51	3.54	2.95	.31	1.02	.39	.98
175	193,7	7.75		202	140	90	75	8	26	10	25
				7.96	5.51	3.54	2.95	.31	1.02	.39	.98
200	216	8.64		228	140	90	75	8	26	10	25
	219,1	8.76	8	8.98	5.51	3.54	2.95	.31	1.02	.39	.98
250	267	1.68		282	140	90	75	8	26	10	25
	273	1.92	10	11.10	5.51	3.54	2.95	.31	1.02	.39	.98
300	318	12.72		332	220	150	75	8	32	10	30
	323,9	12.96	12	13.07	8.66	5.91	2.95	.31	1.26	.39	1.18
350	355,6	14.22	14	378	220	150	75	8	32	10	30
	368	14.72		14.88	8.66	5.91	2.95	.31	1.26	.39	1.18
400	406,4	16.26	16	428	220	150	75	8	32	10	30
	419	16.76		16.85	8.66	5.91	2.95	.31	1.26	.39	1.18
500	508	2.32	20	530	220	150	75	8	32	10	30
	521	2.84		2.87	8.66	5.91	2.95	.31	1.26	.39	1.18

Order Codes

only Round Steel U-Bolt *RB*A 52*W1

One Round Steel U-Bolt (type RB) includes four Nuts (to DIN EN ISO 4032).

* Round Steel U-Bolt	RB
* Dimension A (mm)	A 52
* Material code	Carbon Steel, untreated W1
	Stainless Steel V4A W5
	1.4401 / 1.4571 (AISI 316 / 316 Ti)
	Carbon Steel, Plastic coated W6
	Carbon Steel, zinc-plated and thick-film passivated W66

only Plastic Pipe Saddle *RUK*48,3*PP

* Plastic Pipe Saddle (Short)	RUK
* Exact outside diameter Ø D1 (mm)	48,3
* Material of Pipe Saddle (see below)	PP

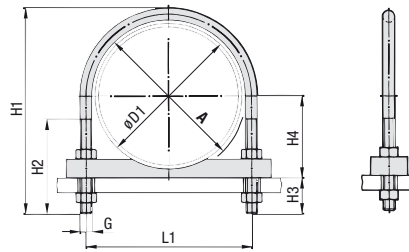
Standard Materials for Plastic Pipe Saddles

	Polypropylene Colour: Green Material code: PP
	Polyamide Colour: Black Material code: PA

See page A86 for material properties and technical information.

Alternative materials are available upon request. Please consult STAUFF for further information.

**Round Steel U-Bolt with Plastic Pipe Saddle (Long)
Type RB+RUL**



Round Steel U-Bolt (type RB) with Plastic Pipe Saddle (type RUL)

Order Codes

Clamp Assembly *RB*W1*RUL/*PP*48,3

One clamp assembly is consisting of one Round Steel U-Bolt (type RB), one Plastic Pipe Saddle (type RUL) and four Nuts (to DIN EN ISO 4032).

- * Round Steel U-Bolt **RB**
- * Material code Carbon Steel, untreated **W1**
- Stainless Steel V4A **W5**
- 1.4401 / 1.4571 (AISI 316 / 316 Ti)
- Carbon Steel, Plastic coated **W6**
- Carbon Steel, zinc-plated and thick-film passivated **W66**
- * Plastic Pipe Saddle (Long) **RUL/**
- * Material of Pipe Saddle (see below) **PP**
- * Exact outside diameter Ø D1 (mm) **48,3**

Please note: All items are supplied non-assembled.

Standard Materials for Plastic Pipe Saddles

Polypropylene
Colour: Green
Material code: **PP**

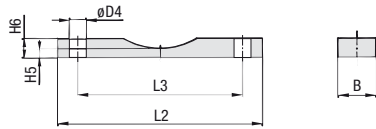
Polyamide
Colour: Black
Material code: **PA**

See page A86 for material properties and technical information.

Alternative materials are available upon request.
Please consult STAUFF for further information.

Diameter Nominal DN	Outside Diameter Pipe / Tube Ø D1 (mm) (in)		Nominal Bore Pipe (in)	Dimensions (mm / in)						
	Round Steel U-Bolt (Type RB)			A	L1	H1	H2	H3	H4	Thread G
20	25	.98		30	40	73.5	41	30	17.5	M10
	26,9	1.06	3/4	1.18	1.57	2.89	1.61	1.18	.69	
25	30	1.18		38	48	81	48	30	20	M10
	33,7	1.33	1	1.50	1.89	3.19	1.89	1.18	.79	
32	38	1.50		46	56	89	48	30	24	M10
	42,4	1.69	1-1/4	1.81	2.20	3.50	1.89	1.18	.94	
40	44,5	1.76		52	62	100	55	35	27.2	M10
	48,3	1.90	1-1/2	2.05	2.44	3.94	2.17	1.38	1.07	
50	57	2.28		64	76	118	63	39	33.5	M12
	60,3	2.41	2	2.52	2.99	4.65	2.48	1.54	1.32	
65	76,1	3.04	2-1/2	82	94	135	77	39	43	M12
				3.23	3.70	5.31	3.03	1.54	1.69	
80	88,9	3.56	3	94	106	152	82	39	45.5	M12
				3.70	4.17	5.98	3.23	1.54	1.79	
100	108	4.32		120	136	190	105	47	64	M12
	114,3	4.57	4	4.72	5.35	7.48	4.13	1.85	2.52	
125	133	5.32		148	164	217	105	47	76.5	M16
	139,7	5.59	5	5.83	6.46	8.54	4.13	1.85	3.01	
150	159	6.36		176	192	247	105	47	91.5	M16
	168,3	6.73	6	6.93	7.56	9.72	4.13	1.85	3.60	
175	193,7	7.75		202	218	273	105	47	109	M16
				7.96	8.58	10.75	4.13	1.85	4.29	
200	216	8.64		228	248	311	125	55	120	M20
	219,1	8.76	8	8.98	9.76	12.24	4.92	2.17	4.72	
250	267	10.68		282	303	364	125	55	145.5	M20
	273	10.92	10	11.10	11.93	14.33	4.92	2.17	5.73	
300	318	12.72		332	352	418	125	55	175	M20
	323,9	12.96	12	13.07	13.86	16.46	4.92	2.17	6.89	
350	355,6	14.22	14	378	402	475	145	63	193	M24
	368	14.72		14.88	15.83	18.70	5.71	2.48	7.60	
400	406,4	16.26	16	428	452	526	145	63	218	M24
	419	16.76		16.85	17.80	20.71	5.71	2.48	8.58	
500	508	20.32	20	530	554	627	145	63	269	M24
	521	20.84		20.87	21.81	24.69	5.71	2.48	10.59	

Round Steel U-Bolt with Plastic Pipe Saddle (Long) Type RB+RUL



Plastic Pipe Saddle (type RUL)

Diameter Nominal DN	Outside Diameter Pipe / Tube Ø D1 (mm) (in)		Nominal Bore Pipe (in)	Dimensions (mm/in)						
	Plastic Pipe Saddle (Type RUK)			A	L2	L3	B	H5	H6	Ø D4
20	25	.98	3/4	30	75	40	30	5	12	11
	26,9	1.06		1.18	2.95	1.57	1.18	.20	.47	.43
25	30	1.18	1	38	80	48	30	5	12	11
	33,7	1.33		1.50	3.15	1.89	1.18	.20	.47	.43
32	38	1.50	1-1/4	46	90	56	30	5	12	11
	42,4	1.69		1.81	3.54	2.20	1.18	.20	.47	.43
40	44,5	1.76	1-1/2	52	95	62	35	5	15	11
	48,3	1.90		2.05	3.74	2.44	1.38	.20	.59	.43
50	57	2.28	2	64	110	76	35	5	15	14
	60,3	2.41		2.52	4.33	2.99	1.38	.20	.59	.55
65	76,1	3.04	2-1/2	82	135	94	35	5	15	14
80	88,9	3.56	3	94	145	106	40	10	20	14
	108	4.32		3.70	5.71	4.17	1.57	.39	.79	.55
100	114,3	4.57	4	120	190	136	40	10	20	18
	133	5.32		4.72	7.48	5.35	1.57	.39	.79	.71
125	139,7	5.59	5	148	190	136	40	10	20	18
	159	6.36		5.83	7.48	5.35	1.57	.39	.79	.71
150	168,3	6.73	6	176	220	164	40	10	20	18
	175	7.75		5.83	8.66	6.46	1.57	.39	.79	.71
200	216	8.64	8	202	250	192	50	12	25	18
	219,1	8.76		6.93	9.84	7.56	1.97	.47	.98	.71
250	267	10.68	10	228	250	192	50	12	25	18
	273	10.92		6.93	9.84	7.56	1.97	.47	.98	.71
300	318	12.72	12	282	270	218	50	12	25	18
	323,9	12.96		7.96	10.63	8.58	1.97	.47	.98	.71
350	355,6	14.22	14	318	315	248	50	12	25	22
	368	14.72		8.98	12.40	9.76	1.97	.47	.98	.87
400	406,4	16.26	16	332	315	248	50	12	25	22
	419	16.76		8.98	12.40	9.76	1.97	.47	.98	.87
500	508	20.32	20	378	370	302	50	12	25	22
	521	20.84		11.10	14.57	11.89	1.97	.47	.98	.87
500	508	20.32	20	332	420	352	60	15	30	22
	521	20.84		13.07	16.54	13.86	2.36	.59	1.18	.87
500	508	20.32	20	378	420	352	60	15	30	22
	521	20.84		13.07	16.54	13.86	2.36	.59	1.18	.87
500	508	20.32	20	378	480	402	60	15	30	26
	521	20.84		14.88	18.90	15.83	2.36	.59	1.18	1.02
500	508	20.32	20	428	480	402	60	15	30	26
	521	20.84		16.85	21.26	17.80	2.36	.59	1.18	1.02
500	508	20.32	20	530	540	452	60	15	30	26
	521	20.84		20.87	21.26	17.80	2.36	.59	1.18	1.02
500	508	20.32	20	530	640	554	60	15	30	26
	521	20.84		20.87	25.20	21.81	2.36	.59	1.18	1.02
500	508	20.32	20	530	640	554	60	15	30	26
	521	20.84		20.87	25.20	21.81	2.36	.59	1.18	1.02

Order Codes

only Round Steel U-Bolt *RB*A 52*W1

One Round Steel U-Bolt (type RB) includes four Nuts (to DIN EN ISO 4032).

* Round Steel U-Bolt	RB
* Dimension A (mm)	A 52
* Material code	Carbon Steel, untreated W1
	Stainless Steel V4A W5
	1.4401 / 1.4571 (AISI 316 / 316 Ti)
	Carbon Steel, Plastic coated W6
	Carbon Steel, zinc-plated and thick-film passivated W66

only Plastic Pipe Saddle *RUL*48,3*PP

* Plastic Pipe Saddle (Long)	RUL
* Exact outside diameter Ø D1 (mm)	48,3
* Material of Pipe Saddle (see below)	PP

Standard Materials for Plastic Pipe Saddles

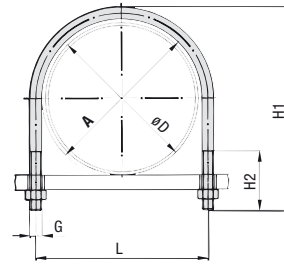
 **Polypropylene**
Colour: Green
Material code: **PP**

 **Polyamide**
Colour: Black
Material code: **PA**

See page A86 for material properties and technical information.

Alternative materials are available upon request. Please consult STAUFF for further information.

**Round Steel U-Bolt (without Plastic Pipe Saddle)
Type RBD**



Round Steel U-Bolt (type RBD)

Order Codes

Clamp Assembly

***RBD*W1*A 30**

One clamp assembly is consisting of one Round Steel U-Bolt (type RBD) and two Nuts (to DIN EN ISO 4032).

* Clamp Assembly (as listed above)

RBD

* Material code Carbon Steel, untreated

W1

Carbon Steel, zinc-plated and thick-film passivated

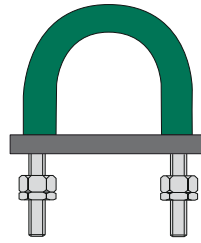
W66

* Dimension A (mm)

A 30

Please note: All items are supplied non-assembled.

Diameter Nominal DN	Outside Diameter Pipe / Tube Ø D1		Nominal Bore Pipe (in)	Dimensions (mm/in)					
	(mm)	(in)		Round Steel U-Bolt (Type RBD)				Thread G	
20	25	.98	3/4	30	40	70	40		M10
	26,9	1.06			1.57	2.76	1.57		
25	30	1.18	1	38	48	76	40	M10	
	33,7	1.33			1.89	2.99	1.57		
32	38	1.50	1-1/4	46	56	86	50	M10	
	42,4	1.69			2.20	3.39	1.97		
40	44,5	1.76	1-1/2	52	62	92	50	M10	
	48,3	1.90			2.44	3.62	1.97		
50	57	2.28	2	64	76	109	50	M12	
	60,3	2.41			2.99	4.29	1.97		
65	76,1	3.04	2-1/2	82	94	125	50	M12	
80	88,9	3.56	3	94	106	138	50	M12	
					4.17	5.43	1.97		
100	108	4.32	4	120	136	171	60	M12	
	114,3	4.57			5.35	6.73	2.36		
125	133	5.32	5	148	164	191	60	M16	
	139,7	5.59			6.46	7.52	2.36		
150	159	6.36	6	176	192	217	60	M16	
	168,3	6.73			7.56	8.54	2.36		
175	193,7	7.75		202	218	249	60	M16	
					7.96	8.58	9.80		2.36
200	216	8.64	8	228	248	283	70	M20	
	219,1	8.76			9.76	11.14	2.76		
250	267	10.68	10	282	303	334	70	M20	
	273	10.92			11.93	13.15	2.76		
300	318	12.72	12	332	352	385	70	M20	
	323,9	12.96			13.86	15.16	2.76		
350	355,6	14.22	14	378	402	435	70	M24	
	368	14.72			15.83	17.13	2.76		
400	406,4	16.26	16	428	452	487	70	M24	
	419	16.76			17.80	19.17	2.76		
500	508	20.32	20	530	554	589	70	M24	
	521	20.84			21.81	23.19	2.76		
					20.87	554	589	70	M24
					21.81	23.19	2.76		



Rubber-Shrouded Round Steel U-Bolt Type RSU



Product Features

By preventing the direct metal-to-metal contact, STAUFF Rubber-Shrouded Round Steel U-Bolts, type RSU are primarily utilised in order to:

- Reduce or eliminate noise and fatigue due to vibration of pipework against the supporting structure
- Prevent galvanic corrosion due to the contact of dissimilar metals in the presence of an electrolyte
- Prevent wear and / or crushing of composite, thin-walled or non ferrous pipework and less resilient cabling

Applications

STAUFF Rubber-Shrouded Round Steel U-Bolts, type RSU have been developed over a number of years to meet the arduous and very specific requirements of process pipework and cabling engineers worldwide.

Materials

Standard material for STAUFF Rubber-Shrouded Round Steel U-Bolts, type RSU is Carbon Steel, electroplated with zinc. Both can also be supplied with alternative surface finishings, or can be manufactured from Stainless Steel, grades V2A and V4A. Consult STAUFF for further information.

STAUFF offers a wide range of shroud and pipe support materials that have been developed and selected to provide optimum performance over a wide range of applications.

Materials include a high-temperature Silicone based solution that is suitable for most applications within a temperature range of -60 °C ... +300 °C (-76 °F ... +572 °F) with excellent resistance to fire (flame rating of UL94-V0), very low toxicity and the ability to operate continuously at +300 °C (+572 °F) with only minimum loss of properties.

Please consult STAUFF and ask for detailed material specifications. Alternative materials are available upon request.

Sizes

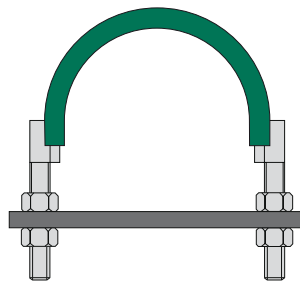
STAUFF Rubber-Shrouded Round Steel U-Bolts, type RSU are available for almost all commonly used pipe and tube diameters, made of Steel, Stainless Steel, Copper as well as Cupro-Nickel:

- Nominal pipe sizes: up to DN 400
- Outside diameters: 21 mm ... 407 mm / .93 in ... 16.02 in

Approvals

STAUFF Rubber-Shrouded Round Steel U-Bolts, type RSU are particularly specified for use in Defence and Marine applications.

They have been tested and approved for bulk use in surface ships and sub-marines from a fire characteristics point of view according to Def Stan 07-247 („Selection of Materials on the Basis of their Fire Characteristics“) of the UK Ministry of Defence.



Rubber-Lined Flat Steel U-Bolt Type LUS



Product Features

By preventing the direct metal-to-metal contact, STAUFF Rubber-Lined Flat Steel U-Bolts, type LUS are primarily utilised in order to:

- Reduce or eliminate noise and fatigue due to vibration of pipework against the supporting structure
- Prevent galvanic corrosion due to the contact of dissimilar metals in the presence of an electrolyte
- Prevent wear and / or crushing of composite, thin-walled or non ferrous pipework and less resilient cabling

Applications

STAUFF Rubber-Lined Flat Steel U-Bolts, type LUS have been developed over a number of years to meet the arduous and very specific requirements of process pipework and cabling engineers worldwide.

Materials

Standard material for STAUFF Rubber-Lined Flat Steel U-Bolts, type LUS is Carbon Steel, electroplated with zinc. Both can also be supplied with alternative surface finishings, or can be manufactured from Stainless Steel, grades V2A and V4A. Consult STAUFF for further information.

STAUFF offers a wide range of shroud and pipe support materials that have been developed and selected to provide optimum performance over a wide range of applications.

Materials include a high-temperature Silicone based solution that is suitable for most applications within a temperature range of -60 °C ... +300 °C (-76 °F ... +572 °F) with excellent resistance to fire (flame rating of UL94-V0), very low toxicity and the ability to operate continuously at +300 °C (+572 °F) with only minimum loss of properties.

Please consult STAUFF and ask for detailed material specifications. Alternative materials are available upon request.

Sizes

STAUFF Rubber-Lined Flat Steel U-Bolts, type LUS are available for almost all commonly used pipe and tube diameters, made of Steel, Stainless Steel, Copper as well as Cupro-Nickel:

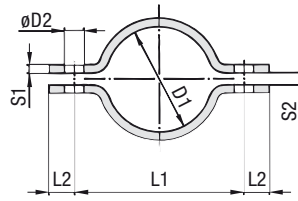
- Nominal pipe sizes: up to DN 700
- Outside diameters: 21 mm ... 740 mm / .93 in ... 29.13 in

Approvals

STAUFF Rubber-Lined Flat Steel U-Bolts, type LUS are particularly specified for use in Defence and Marine applications.

They have been tested and approved for bulk use in surface ships and sub-marines from a fire characteristics point of view according to Def Stan 07-247 („Selection of Materials on the Basis of their Fire Characteristics“) of the UK Ministry of Defence.

Metal Pipe Clamp with Rounded Ends



Order Codes

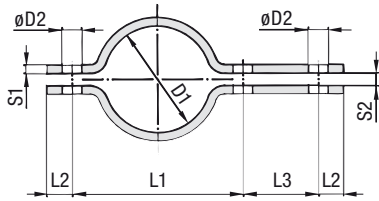
Clamp Assembly

DIN 3567 A-20*W1

One clamp assembly is consisting of two clamp halves.
Hexagon head bolts and nuts are not included.

- * Clamp Assembly to DIN 3567, type A **DIN 3567 A**
- * STAUFF Group (Ø D1) **-20**
- * Material code Carbon Steel, untreated **W1**

STAUFF Group	Nominal Size	Dimensions (mm/in)							Accessories
		Ø D1 (mm)	Pipe (in)	L1	L2	S1	S2	D2	
20	15		57	15	5	7	11.5	30	M10 x 30 (M10) 3/8-16 UNC x 1-1/4 (3/8-16 UNC)
			2.24	.59	.20	.28	.45	1.18	
22	15		59	15	5	7	11.5	30	
			2.32	.59	.20	.28	.45	1.18	
25	20		62	15	5	7	11.5	30	
			2.44	.59	.20	.28	.45	1.18	
27	3/4		66	15	5	7	11.5	30	
			2.60	.59	.20	.28	.45	1.18	
30	25		68	15	5	7	11.5	30	
			2.68	.59	.20	.28	.45	1.18	
34	1		72	15	5	7	11.5	30	
			2.83	.59	.20	.28	.45	1.18	
38	32		76	15	5	7	11.5	30	
			2.99	.59	.20	.28	.45	1.18	
43	1-1/4		82	15	5	7	11.5	30	
			3.23	.59	.20	.28	.45	1.18	
45	40		84	15	5	7	11.5	30	
			3.31	.59	.20	.28	.45	1.18	
49	1-1/2		88	15	5	7	11.5	30	
			3.46	.59	.20	.28	.45	1.18	
57	50		104	18	6	9	14	40	M12 x 35 (M12) 7/16-14 UNC x 1-3/8 (7/16-14 UNC)
			4.09	.71	.24	.35	.55	1.57	
61	50	2	108	18	6	9	14	40	
			4.25	.71	.24	.35	.55	1.57	
77	65	2-1/2	122	18	6	9	14	40	
			4.80	.71	.24	.35	.55	1.57	
89	80	3	136	18	6	9	14	40	
			5.35	.71	.24	.35	.55	1.57	
108	100		172	24	8	11	18	50	
			6.77	.94	.31	.43	.71	1.97	
115	100	4	178	24	8	11	18	50	
			7.01	.94	.31	.43	.71	1.97	
133	125		196	24	8	11	18	50	
			7.72	.94	.31	.43	.71	1.97	
140	125		204	24	8	11	18	50	
			8.03	.94	.31	.43	.71	1.97	
159	150		222	24	8	11	18	50	M16 x 45 (M16) 5/8-11 UNC x 1-3/4 (5/8-11 UNC)
			8.74	.94	.31	.43	.71	1.97	
169	150		232	24	8	11	18	50	
			9.13	.94	.31	.43	.71	1.97	
194	175		258	24	8	11	18	50	
			10.16	.94	.31	.43	.71	1.97	
216	200		280	24	8	11	18	50	
			11.02	.94	.31	.43	.71	1.97	
220	200		284	24	8	11	18	50	
			11.18	.94	.31	.43	.71	1.97	
267	250		342	30	8	14	23	60	
			13.46	1.18	.31	.55	.91	2.36	
273	250		248	30	8	14	23	60	
			9.76	1.18	.31	.55	.91	2.36	
318	300		392	30	8	14	23	60	M20 x 50 (M20) 3/4-10 UNC x 2 (3/4-10 UNC)
			15.43	1.18	.31	.55	.91	2.36	
324	300		398	30	8	14	23	60	
			15.67	1.18	.31	.55	.91	2.36	
368	350		444	30	8	14	23	60	
			17.48	1.18	.31	.55	.91	2.36	
407	400		498	36	10	18	27	70	
			19.61	1.42	.39	.71	1.06	2.76	
419	400		510	36	10	18	27	70	
			10.08	1.42	.39	.71	1.06	2.76	
521	500		614	36	10	18	27	70	
			24.17	1.42	.39	.71	1.06	2.76	

Metal Pipe Clamp with Rounded Ends and One-Side Elongated Shaft


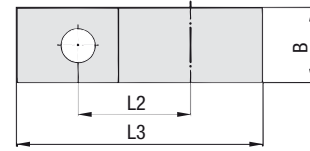
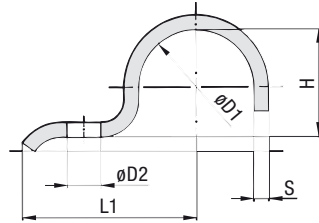
STAUFF Group	Nominal Size		Dimensions (mm/in)							Accessories
	Ø D1	Pipe (in)	L1	L2	L3	S1	S2	D2	B1	Hexagon Head Bolts (Hexagon Head Nuts)
20	15		57	15	46	5	7	11.5	30	M10 x 30 (M10) 3/8-16 UNC x 1-1/4 (3/8-16 UNC)
22			2.24	.59	1.81	.20	.28	.45	1.18	
25	20		62	15	46	5	7	11.5	30	
			2.44	.59	1.81	.20	.28	.45	1.18	
27	3/4		66	15	46	5	7	11.5	30	
			2.60	.59	1.81	.20	.28	.45	1.18	
30	25		68	15	46	5	7	11.5	30	
34			2.68	.59	1.81	.20	.28	.45	1.18	
38	32		72	15	46	5	7	11.5	30	
			2.83	.59	1.81	.20	.28	.45	1.18	
43	1-1/4		76	15	46	5	7	11.5	30	
			2.99	.59	1.81	.20	.28	.45	1.18	
45	40		82	15	46	5	7	11.5	30	
			3.23	.59	1.81	.20	.28	.45	1.18	
49	1-1/2		84	15	46	5	7	11.5	30	
			3.31	.59	1.81	.20	.28	.45	1.18	
57	50		88	15	46	5	7	11.5	30	
			3.46	.59	1.81	.20	.28	.45	1.18	
61	50	2	104	18	54	6	9	14	40	M12 x 35 (M12) 7/16-14 UNC x 1-3/8 (7/16-14 UNC)
			4.09	.71	2.13	.24	.35	.55	1.57	
77	65	2-1/2	108	18	54	6	9	14	40	
			4.25	.71	2.13	.24	.35	.55	1.57	
89	80	3	122	18	54	6	9	14	40	
			4.80	.71	2.13	.24	.35	.55	1.57	
108	100		136	18	54	6	9	14	40	
			5.35	.71	2.13	.24	.35	.55	1.57	
115	100	4	172	24	70	8	11	18	50	
			6.77	.94	2.76	.31	.43	.71	1.97	
133	125		178	24	70	8	11	18	50	
			7.01	.94	2.76	.31	.43	.71	1.97	
140	125		196	24	70	8	11	18	50	
			7.72	.94	2.76	.31	.43	.71	1.97	
159	150		204	24	70	8	11	18	50	
			8.03	.94	2.76	.31	.43	.71	1.97	
169	150		222	24	70	8	11	18	50	
			8.74	.94	2.76	.31	.43	.71	1.97	
194	175		232	24	70	8	11	18	50	
			9.13	.94	2.76	.31	.43	.71	1.97	
216	200		258	24	70	8	11	18	50	
			10.16	.94	2.76	.31	.43	.71	1.97	
220	200		280	24	70	8	11	18	50	
			11.02	.94	2.76	.31	.43	.71	1.97	
267	250		284	24	70	8	11	18	50	
			11.18	.94	2.76	.31	.43	.71	1.97	
273	250		342	30	86	8	14	23	60	
			13.46	1.18	3.39	.31	.55	.91	2.36	
318	300		248	30	86	8	14	23	60	
			9.76	1.18	3.39	.31	.55	.91	2.36	
324	300		392	30	86	8	14	23	60	
			15.43	1.18	3.39	.31	.55	.91	2.36	
368	350		398	30	86	8	14	23	60	
			15.67	1.18	3.39	.31	.55	.91	2.36	
407	400		444	30	86	8	14	23	60	
			17.48	1.18	3.39	.31	.55	.91	2.36	
419	400		498	36	104	10	18	27	70	
			19.61	1.42	4.09	.39	.71	1.06	2.76	
521	500		510	36	104	10	18	27	70	
			10.08	1.42	4.09	.39	.71	1.06	2.76	
521	500		614	36	104	10	18	27	70	
			24.17	1.42	4.09	.39	.71	1.06	2.76	

Order Codes
Clamp Assembly
***DIN 3567 B*-20*W1**

One clamp assembly is consisting of two clamp halves. Hexagon head bolts and nuts are not included.

- * Clamp Assembly to DIN 3567, type B **DIN 3567 B**
- * STAUFF Group (Ø D1) **-20**
- * Material code Carbon Steel, untreated **W1**

Heavy Saddle ■ Single-Ended Design



Order Codes

Heavy Saddle

DIN 1592-7*W66

* Heavy Saddle to DIN 1592

DIN 1592

* STAUFF Group (Ø D1)

-7

* Material code Carbon Steel, untreated

W1

Carbon Steel, zinc-plated and thick-film passivated

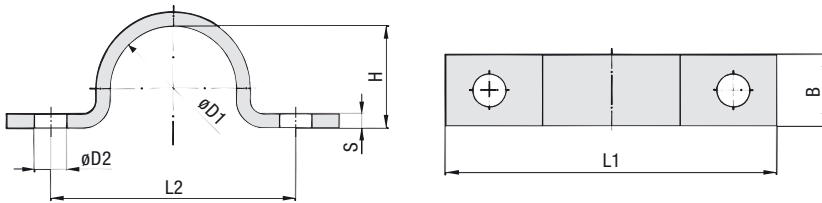
W66

STAUFF Group	Diameter Range		Dimensions (mm/in)						
	Ø D1 (mm)	(in)	L1	L2	L3	H	D2	B	S
7	5,5 ... 7	.2228	22	14	27,5	5	6,6	16	2
			.87	.55	1.08	.20	.26	.63	.08
9	7 ... 9	.2835	27	18	33,5	6	6,6	20	2
			1.06	.71	1.32	.24	.26	.79	.08
13	9,5 ... 13	.3951	40	25	49,5	9	11	25	3
			1.57	.98	1.95	.35	.43	.98	.12
15,5	13 ... 15,5	.5161	41	26	52	12	11	25	3
			1.61	1.02	2.05	.47	.43	.98	.12
19	15,5 ... 19	.6175	43	28	55,5	15	11	25	3
			1.69	1.10	2.19	.59	.43	.98	.12
23	20 ... 23	.7991	51	35	67	19	14	30	5
			2.01	1.38	2.64	.75	.55	1.18	.20
26	23 ... 26	.91 ... 1.02	52	36	70	22	14	30	5
			2.05	1.42	2.76	.87	.55	1.18	.20
28,5	26 ... 28,5	1.02 ... 1.12	53	37	73	24	14	30	5
			2.09	1.46	2.87	.94	.55	1.18	.20
31	28,5 ... 31	1.12 ... 1.22	55	39	75,5	27	14	30	5
			2.17	1.54	2.97	1.06	.55	1.18	.20
36	33 ... 36	1.30 ... 1.42	57	41	81	32	14	40	5
			2.24	1.61	3.19	1.26	.55	1.57	.20
39	36 ... 39	1.42 ... 1.54	59	43	83,5	34	14	40	5
			2.32	1.69	3.29	1.34	.55	1.57	.20
43	39 ... 43	1.54 ... 1.69	68	48	94,5	38	18	40	5
			2.68	1.89	3.72	1.50	.71	1.57	.20
46	43 ... 46	1.69 ... 1.81	70	50	98	41	18	40	5
			2.76	1.97	3.86	1.61	.71	1.57	.20
49	46 ... 49	1.81 ... 1.93	73	53	105,5	44	18	40	8
			2.87	2.09	4.15	1.73	.71	1.57	.31
52 *	49 ... 52	1.93 ... 2.05	76	56	110	47	18	40	8
			2.99	2.20	4.33	1.85	.71	1.57	.31
58	53 ... 58	2.09 ... 2.28	78	58	115	52	18	40	8
			3.07	2.28	4.53	2.05	.71	1.57	.31
61	58 ... 61	2.28 ... 2.40	80	60	118,5	57	18	40	8
			3.15	2.36	4.67	2.24	.71	1.57	.31

* Similar to DIN 1592.

Alternative materials and surface finishings are available upon request. Consult STAUFF for further information.

Heavy Saddle ■ Double-Ended Design



STAUFF Group	Diameter Range		Dimensions (mm/in)						
	Ø D1	(mm)	(in)	L1	L2	H	D2	B	S
7	5,5 ... 7	.2228	44 1.73	28 1.10	5 .20	6,6 .26	16 .63	2 .08	
9	7 ... 9	.2835	48 1.89	32 1.26	6 .24	6,6 .26	20 .79	2 .08	
13	9,5 ... 13	.3951	52 2.05	36 1.42	9 .35	6,6 .26	20 .79	2 .08	
15,5	13 ... 15,5	.5161	56 2.20	40 1.57	12 .47	6,6 .26	20 .79	2 .08	
19	15,5 ... 19	.6175	60 2.36	44 1.73	15 .59	6,6 .26	20 .79	2 .08	
23	20 ... 23	.7991	82 3.23	56 2.20	19 .75	11 .43	25 .98	3 .12	
26	23 ... 26	.91 ... 1.02	84 3.31	58 2.28	22 .87	11 .43	25 .98	3 .12	
28,5	26 ... 28,5	1.02 ... 1.12	90 3.54	64 2.52	24 .94	11 .43	25 .98	3 .12	
31	28,5 ... 31	1.12 ... 1.22	90 3.54	64 2.52	27 1.06	11 .43	25 .98	3 .12	
36	33 ... 36	1.30 ... 1.42	106 4.17	80 3.15	32 1.26	11 .43	30 1.18	5 .20	
39	36 ... 39	1.42 ... 1.54	110 4.33	84 3.31	34 1.34	11 .43	30 1.18	5 .20	
43	39 ... 43	1.54 ... 1.69	120 4.72	88 3.46	38 1.50	14 .55	30 1.18	5 .20	
46	43 ... 46	1.69 ... 1.81	122 4.80	90 3.54	41 1.61	14 .55	30 1.18	5 .20	
49	46 ... 49	1.81 ... 1.93	122 4.80	90 3.54	44 1.73	14 .55	30 1.18	5 .20	
58	53 ... 58	2.09 ... 2.28	142 5.59	110 4.33	52 2.05	14 .55	40 1.57	5 .20	
61	58 ... 61	2.28 ... 2.40	142 5.59	110 4.33	57 2.24	14 .55	40 1.57	5 .20	
71	67 ... 71	2.64 ... 2.80	152 5.98	120 4.72	66 2.60	14 .55	40 1.57	5 .20	
77	73 ... 77	2.87 ... 3.03	176 6.93	136 5.35	72 2.83	18 .71	40 1.57	5 .20	
81	77 ... 81	3.03 ... 3.19	184 7.24	144 5.67	76 2.99	18 .71	40 1.57	5 .20	
91	88 ... 91	3.39 ... 3.58	198 7.80	158 6.22	85 3.35	18 .71	40 1.57	8 .31	
103	99 ... 103	3.90 ... 4.06	214 8.43	174 6.85	98 3.86	18 .71	40 1.57	8 .31	
109	105 ... 109	4.13 ... 4.29	220 8.66	180 7.09	104 4.09	18 .71	40 1.57	8 .31	
115	110 ... 115	4.33 ... 4.53	226 8.90	186 7.32	109 4.29	18 .71	40 1.57	8 .31	

Order Codes

Heavy Saddle

DIN 1593-7*W66

* Heavy Saddle to DIN 1593

DIN 1593

* STAUFF Group (Ø D1)

-7

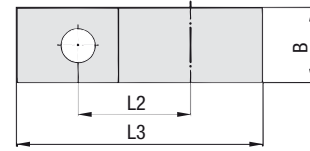
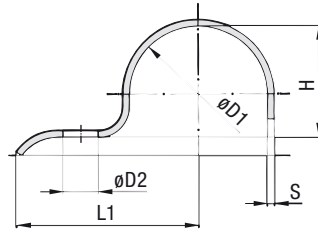
 * Material code Carbon Steel, untreated
Carbon Steel, zinc-plated
and thick-film passivated

W1

W66

Alternative materials and surface finishings are available upon request. Consult STAUFF for further information.

Light Saddle ■ Single-Ended Design



Order Codes

Light Saddle

DIN 1596-7*W66

* Light Saddle to DIN 1596

DIN 1596

* STAUFF Group (Ø D1)

-7

* Material code Carbon Steel, zinc-plated
and thick-film passivated

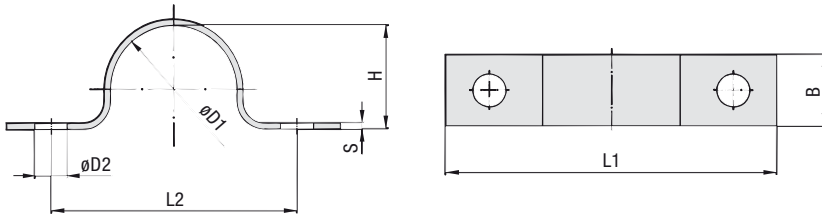
W66

STAUFF Group	Diameter Range		Dimensions (mm/in)						
	Ø D1 (mm)	(in)	L1	L2	L3	H	D2	B	S
7	5,5 ... 7	.2228	26	14	31,5	5	6,6	16	2
			1.02	.55	1.24	.20	.26	.63	.08
9	7 ... 9	.2835	28	16	34,5	6	6,6	16	2
			1.10	.63	1.36	.24	.26	.63	.08
13	9,5 ... 13	.3951	30	18	38,5	9	6,6	20	2
			1.18	.71	1.52	.35	.26	.79	.08
15,5	13 ... 15,5	.5161	32	20	41,75	12	6,6	20	2
			1.26	.79	1.64	.47	.26	.79	.08
19	15,5 ... 19	.6175	34	22	45,5	15	6,6	20	2
			1.34	.87	1.79	.59	.26	.79	.08
23	20 ... 23	.7991	43	28	57,5	19	9	25	3
			1.69	1.10	2.26	.75	.35	.98	.12
26	23 ... 26	.91 ... 1.02	44	29	60	22	9	25	3
			1.73	1.14	2.36	.87	.35	.98	.12
28,5	26 ... 28,5	1.02 ... 1.12	47	32	64,25	24	9	25	3
			1.85	1.26	2.53	.94	.35	.98	.12
31	28,5 ... 31	1.12 ... 1.22	47	32	65,5	27	9	25	3
			1.85	1.26	2.58	1.06	.35	.98	.12
33 *	31 ... 33	1.22 ... 1.30	56	36	75,5	29	9	25	3
			2.20	1.42	2.97	1.14	.35	.98	.12
36	33 ... 36	1.30 ... 1.42	57	40	78	32	11	30	3
			2.24	1.57	3.07	1.26	.43	1.18	.12
39	36 ... 39	1.42 ... 1.54	59	42	81,5	34	11	30	3
			2.32	1.65	3.21	1.34	.43	1.18	.12
43	39 ... 43	1.54 ... 1.69	61	44	85,5	38	11	30	3
			2.40	1.73	3.37	1.50	.43	1.18	.12
46	43 ... 46	1.69 ... 1.81	62	45	88	41	11	30	3
			2.44	1.77	3.46	1.61	.43	1.18	.12
49	46 ... 49	1.81 ... 1.93	67	48	95,5	44	14	40	4
			2.64	1.89	3.76	1.73	.55	1.57	.16
52 *	49 ... 52	1.93 ... 2.05	72	53	102	47	14	40	4
			2.83	2.09	4.02	1.85	.55	1.57	.16
58	53 ... 58	2.09 ... 2.28	76	55	107	52	14	40	4
			2.99	2.17	4.21	2.05	.55	1.57	.16
61	58 ... 61	2.28 ... 2.40	77	58	111,5	56	14	40	4
			3.03	2.28	4.39	2.20	.55	1.57	.16

* Similar to DIN 1596.

Alternative materials and surface finishings are available upon request. Consult STAUFF for further information.

Light Saddle ▪ Double-Ended Design



STAUFF Group	Diameter Range		Dimensions (mm/in)						
	Ø D1 (mm)	(in)	L1	L2	H	D2	B	S	
7	5,5 ... 7	.2228	44	28	5	5,5	16	1,5	
			1.73	1.10	.20	.22	.63	.06	
9	7 ... 9	.2835	48	32	6	5,5	16	1,5	
			1.89	1.26	.24	.22	.63	.06	
13	9,5 ... 13	.3951	52	36	9	5,5	16	1,5	
			2.05	1.42	.35	.22	.63	.06	
15,5	13 ... 15,5	.5161	56	40	12	5,5	16	1,5	
			2.20	1.57	.47	.22	.63	.06	
19	15,5 ... 19	.6175	60	44	15	5,5	16	.5	
			2.36	1.73	.59	.22	.63	.02	
23	20 ... 23	.7991	76	44	19	6,6	20	2	
			2.99	1.73	.75	.26	.79	.08	
26	23 ... 26	.91 ... 1.02	78	56	22	6,6	20	2	
			3.07	2.20	.87	.26	.79	.08	
28,5	26 ... 28,5	1.02 ... 1.12	84	58	24	6,6	20	2	
			3.31	2.28	.94	.26	.79	.08	
31	28,5 ... 31	1.12 ... 1.22	84	64	27	6,6	20	2	
			3.31	2.52	1.06	.26	.79	.08	
33 *	31 ... 33	1.22 ... 1.30	92	72	29	6,6	20	2	
			3.62	2.83	1.14	.26	.79	.08	
36	33 ... 36	1.30 ... 1.42	104	80	32	9	25	3	
			4.09	3.15	1.26	.35	.98	.12	
39	36 ... 39	1.42 ... 1.54	108	84	34	9	25	3	
			4.25	3.31	1.34	.35	.98	.12	
43	39 ... 43	1.54 ... 1.69	112	88	38	9	25	3	
			4.41	3.46	1.50	.35	.98	.12	
46	43 ... 46	1.69 ... 1.81	114	90	41	9	25	3	
			4.49	3.54	1.61	.35	.98	.12	
49	46 ... 49	1.81 ... 1.93	118	90	44	11	30	3	
			4.65	3.54	1.73	.43	1.18	.12	
52 *	49 ... 52	1.93 ... 2.05	134	106	47	11	30	3	
			5.28	4.17	1.85	.43	1.18	.12	
58	53 ... 58	2.09 ... 2.28	138	110	52	11	30	3	
			5.43	4.33	2.05	.43	1.18	.12	
61	58 ... 61	2.28 ... 2.40	138	110	56	11	30	3	
			5.43	4.33	2.20	.43	1.18	.12	

Order Codes

Light Saddle

DIN 1597-7*W66

* Light Saddle to DIN 1597

DIN 1597

* STAUFF Group (Ø D1)

-7

* Material code Carbon Steel, zinc-plated and thick-film passivated

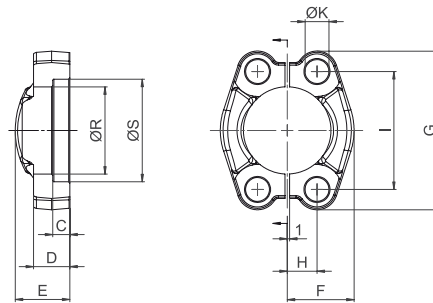
W66

* Similar to DIN 1597.

Alternative materials and surface finishings are available upon request. Consult STAUFF for further information.

SAE Split Flange Halves

DB



Material S355J0 / C45 or equivalent
Surface CrVI-free
Special Material Stainless Steel 1.4404 "-W5" on request

Order Codes

- ★ Pair of SAE Split Flange Halves **DB-...**
- ★ Including Metric bolts 8.8, **DB-...-M-B#K**
spring rings, O-ring made of
NBR (Buna-N®) (packed in kits)
- ★ Including Metric bolts 10.9, **DB-...-MH-B#K**
spring rings, O-ring made of
NBR (Buna-N®) (packed in kits)
- ★ Including UNC bolts (Gr10), **DB-...-U-B#K**
spring rings, O-ring made of
NBR (Buna-N®) (packed in kits)

3000 PSI Standard Pressure Series (according to ISO 6162-1)

PN (bar) ¹		Nominal Size		Order Codes	Dimensions (mm)											for Bolts	
8.8 Bolts	10.9 (MH) Bolts	DN	(in)		Ø R	Ø S	C	D	E	F	G	H	I	Ø K ²	Metr.	UNC	
350	350	13	1/2	DB-301	24,3	31	6,2	13	19	22,8	54	8,75	38,1	8,7	M8x25	5/16-18 UNC x 1-1/4	
350	350	19	3/4	DB-302	32,2	38,9	6,2	14	22	25,9	65	11,15	47,6	10,5	M10x30	3/8-16 UNC x 1-1/4	
250	315	25	1	DB-303	38,5	45,3	7,5	16	24	29,2	70	13,1	52,4	10,5	M10x30	3/8-16 UNC x 1-1/4	
200	250	32	1-1/4	DB-304-U	43,7	51,6	7,5	14	24	36,3	79,5	15,1	58,7	12		7/16-14 UNC x 11/2	
200	250	32	1-1/4	DB-304-M12	43,7	51,6	7,5	14	24	36,3	79,5	15,1	58,7	12,5	M12x35		
200	250	32	1-1/4	DB-304-M	43,7	51,6	7,5	14	24	36,3	79,5	15,1	58,7	10,5	M10x30		
200	200	38	1-1/2	DB-305	50,8	61,1	7,5	16	25	41,1	94	17,85	69,9	13,5	M12x35	1/2-13 UNC x 1-1/2	
200	200	38	1-1/2	DB-305-M14	50,8	61,1	7,5	16	25	41,1	94	17,85	69,9	14,5	M14x35		
160	200	51	2	DB-306	62,8	72,3	9	16	26	48,2	102	21,45	77,8	13,5	M12x35	1/2-13 UNC x 1-1/2	
160	200	51	2	DB-306-M14	62,8	72,3	9	16	26	48,2	102	21,45	77,8	14,5	M14x35		
100	160	64	2-1/2	DB-307	74,9	84,9	9	19	38	54,1	114,5	25,4	88,9	13,5	M12x40	1/2-13 UNC x 1-1/2	
100	160	64	2-1/2	DB-307-M14	74,9	84,9	9	19	38	54,1	114,5	25,4	88,9	14,5	M14x40		
100	160	76	3	DB-308	90,9	102,4	9	22	41	65,3	135	30,95	106,4	17	M16x50	5/8-11 UNC x 2	
35	35	89	3-1/2	DB-309	102,4	115,1	10,7	22	28	69,6	152	34,95	120,7	17	M16x50	5/8-11 UNC x 2	
35	35	102	4	DB-310	115	127,8	10,7	25	35	75,9	162	38,9	130,2	17	M16x50	5/8-11 UNC x 2	
35	35	127	5	DB-311	140,5	153,2	10,7	28	41	90,4	184	46,05	152,4	17	M16x55	5/8-11 UNC x 2	

6000 PSI High Pressure Series (according to ISO 6162-2)

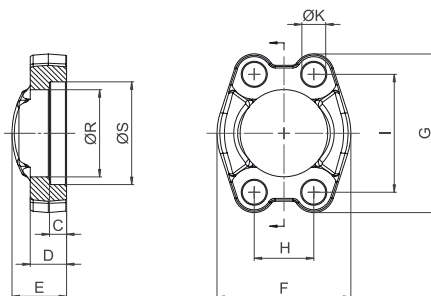
PN (bar) ¹		Nominal Size		Order Codes	Dimensions (mm)											for Bolts	
8.8 Bolts	10.9 (MH) Bolts	DN	(in)		Ø R	Ø S	C	D	E	F	G	H	I	Ø K ²	Metr.	UNC	
350	400	13	1/2	DB-601	24,6	32,5	7,2	16	22	23,6	56,5	9,10	40,5	8,7	M8x30	5/16-18 UNC x 1-1/4	
350	400	19	3/4	DB-602	32,5	42,0	8,2	19	28	30,0	71,0	11,90	50,8	10,5	M10x35	3/8-16 UNC x 1-1/2	
350	400	25	1	DB-603-U	38,8	48,4	9,0	24	33	34,8	81,0	13,90	57,2	11,9		7/16-14 UNC x 1-1/4	
350	400	25	1	DB-603-M	38,8	48,4	9,0	24	33	34,8	81,0	13,90	57,2	13,0	M12x45		
350	400	32	1-1/4	DB-604	44,5	54,8	9,8	27	38	38,6	95,0	15,90	66,6	13,5	M12x45	1/2-13 UNC x 1-3/4	
350	400	32	1-1/4	DB-604-M14	44,5	54,8	9,8	27	38	38,6	95,0	15,90	66,6	15,0	M14x45		
350	400	38	1-1/2	DB-605	51,6	64,3	12,0	30	43	47,5	113,0	18,25	79,3	17,0	M16x55	5/8-11 UNC x 2	
350	400	51	2	DB-606	67,6	80,2	12,0	37	52	56,9	133,0	22,25	96,8	21,0	M20x70	3/4-10 UNC x 2-1/2	

¹ The maximum working pressure applies only to the flange itself and depends on the bolts used (Grade 8.8 / 10.9). The actual maximum working pressure depends on the thickness and the quality of the tube used.

² Dimensions of screw holes in part different to the ISO to match both Metric and UNC screws.

**SAE Flange Clamp
BM**
Order Codes

- ★ SAE Flange Clamp **BM-...**
- ★ Including Metric bolts 8.8, **BM-...-M-B#K**
spring rings, O-ring made of NBR (Buna-N®)
(packed in kits)
- ★ Including Metric bolts 10.9, **BM-...-MH-B#K**
spring rings, O-ring made of NBR (Buna-N®)
(packed in kits)
- ★ Including UNC bolts (Gr10), **BM-...-U-B#K**
spring rings, O-ring made of NBR (Buna-N®)
(packed in kits)



Material S355J0 / C45 or equivalent
Surface CrVI-free
Special Material Stainless Steel 1.4404 "W5" on request

3000 PSI Standard Pressure Series (according to ISO 6162-1)

PN (bar) ¹		Nominal Size		Order Codes	Dimensions (mm)										for Bolts	
8.8 Bolts	10.9 (MH) Bolts	DN	(in)		Ø R	Ø S	C	D	E	F	G	H	I	Ø K ²	Metr.	UNC
350	350	13	1/2	BM-301	24,3	31	6,2	13	19	46	54	17,5	38,1	8,7	M8x25	5/16-18 UNC x 1-1/4
350	350	19	3/4	BM-302	32,2	38,9	6,2	14	22	52	65	22,3	47,6	10,5	M10x30	3/8-16 UNC x 1-1/4
250	315	25	1	BM-303	38,5	45,3	7,5	16	24	59	70	26,2	52,4	10,5	M10x30	3/8-16 UNC x 1-1/4
200	250	32	1-1/4	BM-304-U	43,7	51,6	7,5	14	24	73	79,5	30,2	58,7	12		7/16-14 UNC x 1-1/2
200	250	32	1-1/4	BM-304-M12	43,7	51,6	7,5	14	24	73	79,5	30,2	58,7	12,5	M12x35	
200	250	32	1-1/4	BM-304-M	43,7	51,6	7,5	14	24	73	79,5	30,2	58,7	10,5	M10x30	
200	200	38	1-1/2	BM-305	50,8	61,1	7,5	16	25	83	94	35,7	69,9	13,5	M12x35	1/2-13 UNC x 1-1/2
200	200	38	1-1/2	BM-305-M14	50,8	61,1	7,5	16	25	83	94	35,7	69,9	14,5	M14x35	
160	200	51	2	BM-306	62,8	72,3	9	16	26	97	102	42,9	77,8	13,5	M12x35	1/2-13 UNC x 1-1/2
160	200	51	2	BM-306-M14	62,8	72,3	9	16	26	97	102	42,9	77,8	14,5	M14x35	
100	160	64	2-1/2	BM-307	74,9	84,9	9	19	38	109	114,5	50,8	88,9	13,5	M12x40	1/2-13 UNC x 1-1/2
100	160	64	2-1/2	BM-307-M14	74,9	84,9	9	19	38	109	114,5	50,8	88,9	14,5	M14x40	
100	160	76	3	BM-308	90,9	102,4	9	22	41	131	135	61,9	106,4	17	M16x50	5/8-11 UNC x 2
35	35	89	3-1/2	BM-309	102,4	115,1	10,7	22	28	140	152	69,9	120,7	17	M16x50	5/8-11 UNC x 2
35	35	102	4	BM-310	115,0	127,8	10,7	25	35	152	162	77,8	130,2	17	M16x50	5/8-11 UNC x 2
35	35	127	5	BM-311	140,5	153,2	10,7	28	41	181	184	92,1	152,4	17	M16x55	5/8-11 UNC x 2

6000 PSI High Pressure Series (according to ISO 6162-2)

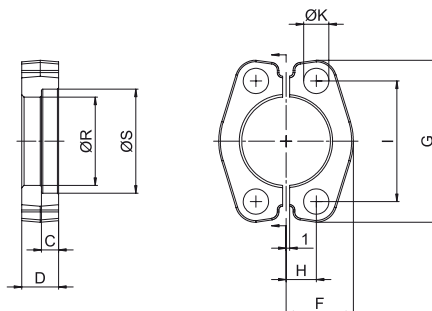
PN (bar) ¹		Nominal Size		Order Codes	Dimensions (mm)										for Bolts	
8.8 Bolts	10.9 (MH) Bolts	DN	(in)		Ø R	Ø S	C	D	E	F	G	H	I	Ø K ²	Metr.	UNC
350	400	13	1/2	BM-601	24,6	32,5	7,2	16	22	48	56,5	18,2	40,5	8,7	M 8	5/16-18 UNC x 1-1/4
350	400	19	3/4	BM-602	32,5	42	8,2	19	28	60	71	23,8	50,8	10,5	M 10	3/8-16 UNC x 1-1/2
350	400	25	1	BM-603-U	38,8	48,4	9	24	33	70	81	27,8	57,2	12		7/16-14 UNC x 1-1/4
350	400	25	1	BM-603-M	38,8	48,4	9	24	33	70	81	27,8	57,2	13	M 12	
350	400	32	1-1/4	BM-604	44,5	54,8	9,8	27	38	78	95	31,8	66,6	13,5	M 12	1/2-13 UNC x 1-3/4
350	400	32	1-1/4	BM-604-M14	44,5	54,8	9,8	27	38	78	95	31,8	66,6	15	M 14	
350	400	38	1-1/2	BM-605	51,6	64,3	12	30	43	95	113	36,5	79,3	17	M 16	5/8-11 UNC x 2
350	400	51	2	BM-606	67,6	80,2	12	37	52	114	133	44,5	96,8	21	M 20	3/4-10 UNC x 2-1/2

¹ The maximum working pressure applies only to the flange itself and depends on the bolts used (Grade 8.8 / 10.9). The actual maximum working pressure depends on the thickness and the quality of the tube used.

² Dimensions of screw holes in part different to the ISO to match both Metric and UNC screws.

SAE Split Flange Halves (Flat Style)

DB-FL



Material C60 / C55 or equivalent
Surface CrVI-free

Order Codes

- ★ Pair of SAE Split Flange Halves (Flat Style) **DB-FL-...**
- ★ Including Metric bolts 8.8, **DB-FL-...-M-B#K**
spring rings, O-ring made of NBR (Buna-N®)
(packed in kits)
- ★ Including Metric bolts 10.9, **DB-FL-...-MH-B#K**
spring rings, O-ring made of NBR (Buna-N®)
(packed in kits)
- ★ Including UNC bolts (Gr10), **DB-FL-...-U-B#K**
spring rings, O-ring made of NBR (Buna-N®)
(packed in kits)

3000 PSI Standard Pressure Series (according to ISO 6162-1)

PN (bar) ¹		Nominal Size		Order Codes	Dimensions (mm)										for Bolts	
8.8 Bolts	10.9 (MH) Bolts	DN	(in)		Ø R	Ø S	C	D	F	G	H	I	Ø K ²	Metr.	UNC	
350	350	13	1/2	DB-FL-301	24,3	31	6,2	13	22,8	54	8,75	38,1	8,7	M8x25	5/16-18 UNC x 1-1/4	
350	350	19	3/4	DB-FL-302	32,2	38,9	6,2	14	25,9	65	11,15	47,6	10,5	M10x30	3/8-16 UNC x 1-1/4	
250	315	25	1	DB-FL-303	38,5	45,3	7,5	16	29,2	70	13,1	52,4	10,5	M10x30	3/8-16 UNC x 1-1/4	
200	250	32	1-1/4	DB-FL-304-M	43,7	51,6	7,5	14	36,6	79	15,1	58,7	10,5	M10x30		
200	200	38	1-1/2	DB-FL-305	50,8	61,6	7,5	16	41,1	94	17,85	69,9	13,5	M12x35	1/2-13 UNC x 1-1/2	
160	200	51	2	DB-FL-306	62,8	72,3	9	16	48,2	102	21,45	77,8	13,5	M12x35	1/2-13 UNC x 1-1/2	
100	160	64	2-1/2	DB-FL-307	74,9	84,9	9	19	53	115	25,4	88,9	13,5	M12x40	1/2-13 UNC x 1-1/2	
100	160	76	3	DB-FL-308	90,9	102,4	9	22	64,3	135	30,95	106,4	17	M16x50	5/8-11 UNC x 1-1/2	

6000 PSI High Pressure Series (according to ISO 6162-2)

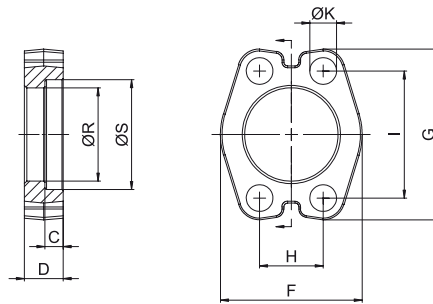
PN (bar) ¹		Nominal Size		Order Codes	Dimensions (mm)										for Bolts	
8.8 Bolts	10.9 (MH) Bolts	DN	(in)		Ø R	Ø S	C	D	F	G	H	I	Ø K ²	Metr.	UNC	
350	400	13	1/2	DB-FL-601	24,6	32,5	7,2	16	23,6	56	9,1	40,5	8,7	M8x30	5/16-18 UNC x 1-1/4	
350	400	19	3/4	DB-FL-602	32,5	42	8,2	20	30,0	71	11,9	50,8	10,5	M10x35	3/8-16 UNC x 1-1/2	
350	400	25	1	DB-FL-603-M	38,8	48,4	9	25	34,8	81	13,9	57,2	13	M12x45		
350	400	32	1-1/4	DB-FL-604-M14	44,5	54,8	9,8	27	38,6	95	15,9	66,6	15	M14x45		
350	400	38	1-1/2	DB-FL-605	51,6	64,3	12	30	47,5	113	18,25	79,3	17	M16x55	5/8-11 UNC x 2	
350	400	51	2	DB-FL-606	67,6	80,2	12	37	56,9	133	22,25	96,8	21	M20x70	3/4-10 UNC x 2-1/2	

¹ The maximum working pressure applies only to the flange itself and depends on the bolts used (Grade 8.8 / 10.9). The actual maximum working pressure depends on the thickness and the quality of the tube used.

² Dimensions of screw holes in part different to the ISO to match both Metric and UNC screws.

SAE Flange Clamp (Flat Style)
BM-FL
Order Codes

- * SAE Flange Clamp (Flat Style) **BM-FL-...**
- * Including Metric bolts 8.8, **BM-FL-...-M-B#K**
spring rings, O-ring made of NBR (Buna-N®)
(packed in kits)
- * Including UNC bolts (Gr10), **BM-FL-...-U-B#K**
spring rings, O-ring made of NBR (Buna-N®)
(packed in kits)



Material C60 / C55 or equivalent
Surface CrVI-free

3000 PSI Standard Pressure Series (according to ISO 6162-1)

PN (bar) ¹		Nominal Size		Order Codes	Dimensions (mm)										for Bolts	
8.8 Bolts	10.9 (MH) Bolts	DN	(in)		Ø R	Ø S	C	D	F	G	H	I	Ø K ²	Metr.	UNC	
350	350	13	1/2	BM-FL-301	24,3	31	6,2	13	45,6	54	17,5	38,1	8,7	M8x25	5/16-18 UNC x 1-1/4	
350	350	19	3/4	BM-FL-302	32,2	38,9	6,2	14	51,8	65	22,3	47,6	10,5	M10x30	3/8-16 UNC x 1-1/4	
250	315	25	1	BM-FL-303	38,5	45,3	7,5	16	58,4	70	26,2	52,4	10,5	M10x30	3/8-16 UNC x 1-1/4	
200	250	32	1-1/4	BM-FL-304-M	43,7	51,6	7,5	14	73,2	79	30,2	58,7	10,5	M10x30		
200	200	38	1-1/2	BM-FL-305	50,8	61,1	7,5	16	82,2	94	35,7	69,9	13,5	M12x35	1/2-13 UNC x 1-1/2	
160	200	51	2	BM-FL-306	62,8	72,3	9	16	96,4	102	42,9	77,8	13,5	M12x35	1/2-13 UNC x 1-1/2	
100	160	64	2-1/2	BM-FL-307	74,9	84,9	9	19	106,0	115	50,8	88,9	13,5	M12x40	1/2-13 UNC x 1-1/2	
100	160	76	3	BM-FL-308	90,9	102,4	9	22	128,6	135	61,9	106,4	17	M16x50	5/8-11 UNC x 2	

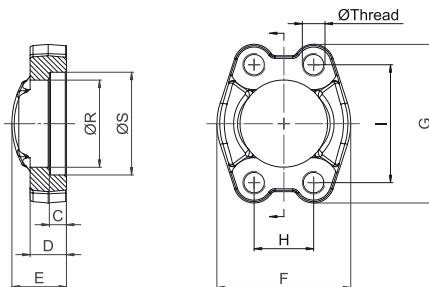
6000 PSI High Pressure Series (according to ISO 6162-2)

PN (bar) ¹		Nominal Size		Order Codes	Dimensions (mm)										for Bolts	
8.8 Bolts	10.9 (MH) Bolts	DN	(in)		Ø R	Ø S	C	D	F	G	H	I	Ø K ²	Metr.	UNC	
350	400	13	1/2	BM-FL-601	24,6	32,5	7,2	16	47,2	56	18,2	40,5	8,7	M8x30	5/16-18 UNC x 1-1/4	
350	400	19	3/4	BM-FL-602	32,5	42	8	20	60	71	23,8	50,8	10,5	M10x35	3/8-16 UNC x 1-1/2	
350	400	25	1	BM-FL-603-M	38,8	48,4	9,0	25	69,6	81	27,8	57,2	13	M12x45		
350	400	32	1-1/4	BM-FL-604-M14	44,5	54,8	9,8	27	77,2	95	31,8	66,6	15	M14x45		
350	400	38	1-1/2	BM-FL-605	51,6	64,3	12	30	89,4	113	36,5	79,3	17	M16x55	5/8-11 UNC x 2	
350	400	51	2	BM-FL-606	67,6	80,2	12	37	113,4	133	44,5	96,8	21	M20x70	3/4-10 UNC x 2-1/2	

¹ The maximum working pressure applies only to the flange itself and depends on the bolts used (Grade 8.8 / 10.9). The actual maximum working pressure depends on the thickness and the quality of the tube used.

² Dimensions of screw holes in part different to the ISO to match both Metric and UNC screws.

SAE Flange Clamp with Metric Tapped Holes BM-G



Material S355J0 / C45 or equivalent
Surface CrVI-free
Special Material Stainless Steel 1.4404 "-W5" on request

Order Codes

★ SAE Flange Clamp with Metric tapped holes **BM-G-...**
 ★ Deviant Metric tapped holes (M14) **BM-G-...M14**

3000 PSI Standard Pressure Series (according to ISO 6162-1)

PN (bar) ¹		Nominal Size		Order Codes	Dimensions (mm)									Ø Thread ²
8.8 Bolts	10.9 (MH) Bolts	DN	(in)		Ø R	Ø S	C	D	E	F	G	H	I	
350	350	13	1/2	BM-G-301	24,3	31	6,2	13	19	46	54	17,5	38,1	M8
350	350	19	3/4	BM-G-302	32,2	38,9	6,2	14	22	52	65	22,3	47,6	M10
250	315	25	1	BM-G-303	38,5	45,3	7,5	16	24	59	70	26,2	52,4	M10
200	250	32	1-1/4	BM-G-304	43,7	51,6	7,5	14	24	73	79,5	30,2	58,7	M10 (M12)
200	200	38	1-1/2	BM-G-305	50,8	61,1	7,5	16	25	83	94	35,7	69,9	M12 (M14)
160	200	51	2	BM-G-306	62,8	72,3	9	16	26	97	102	42,9	77,8	M12 (M14)
100	160	64	2-1/2	BM-G-307	74,9	84,9	9	19	38	109	114,5	50,8	88,9	M12 (M14)
100	160	76	3	BM-G-308	90,9	102,4	9	22	41	131	135	61,9	106,4	M16
35	35	89	3-1/2	BM-G-309	102,4	115,1	10,7	22	28	140	152	69,9	120,7	M16
35	35	102	4	BM-G-310	115	127,8	10,7	25	35	152	162	77,8	130,2	M16
35	35	127	5	BM-G-311	140,5	153,2	10,7	28	41	181	184	92,1	152,4	M16

6000 PSI High Pressure Series (according to ISO 6162-2)

PN (bar) ¹		Nominal Size		Order Codes	Dimensions (mm)									Ø Thread
8.8 Bolts	10.9 (MH) Bolts	DN	(in)		Ø R	Ø S	C	D	E	F	G	H	I	
350	400	13	1/2	BM-G-601	24,6	32,5	7,2	16	22	48	56,5	18,2	40,5	M8
350	400	19	3/4	BM-G-602	32,5	42	8,2	19	28	60	71	23,8	50,8	M10
350	400	25	1	BM-G-603	38,8	48,4	9	24	33	70	81	27,8	57,2	M12
350	400	32	1-1/4	BM-G-604	44,5	54,8	9,8	27	38	78	95	31,8	66,6	M12
350	400	32	1-1/4	BM-G-604-M14	44,5	54,8	9,8	27	38	78	95	31,8	66,6	M14
350	400	38	1-1/2	BM-G-605	51,6	64,3	12	30	43	95	113	36,5	79,3	M16
350	400	51	2	BM-G-606	67,6	80,2	12	37	52	114	133	44,5	96,8	M20

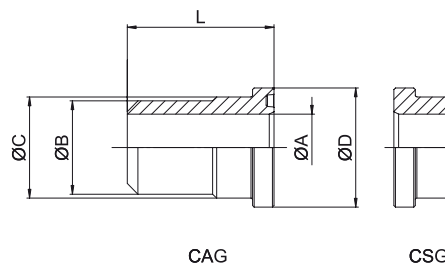
¹ The maximum working pressure applies only to the flange itself and depends on the bolts used (Grade 8.8 / 10.9). The actual maximum working pressure depends on the thickness and the quality of the tube used.

² Alternative options shown in brackets are available on request.

SAE Butt Weld Flange Adapter / SAE Butt Weld Counterflange Adapter CAG/CSG-ST

Order Codes

- * SAE Butt Weld Flange Adapter **CAG-...-ST-**-****
(without O-ring)
 - * SAE Butt Weld Counterflange Adapter **CSG-...-ST-**-****
 - * Including Metric bolts 8.8, **CAG-...-ST-**-**#K**
spring rings, O-ring made of NBR (Buna-N®) and DB
(packed in kits)
 - * Including Metric bolts 10.9, **CAG-...-ST-**-**-MH#K**
spring rings, O-ring made of NBR (Buna-N®) and DB
(packed in kits)
 - * Including UNC bolts **CAG-...-ST-**-**-V-U-BM#K**
(Gr10), spring rings, O-ring made of FPM (Viton®) and
BM (packed in kits)
- **/** Please indicate pipe-OD and pipe-ID**



Material S355J0 or equivalent
Surface blank, oiled
Special Material Stainless Steel 1.4571 "-W5" on request

3000 PSI Standard Pressure Series (according to ISO 6162-1)

PN (bar) ¹		Nominal Size		Order Codes	Dimensions (mm)				
8.8 Bolts	10.9 (MH) Bolts	DN	(in)		Ø A min.	Ø B max.	Ø C	Ø D	L
350	350	13	1/2	CAG-301-ST- ** / **	12	22	24	30,2	41
350	350	19	3/4	CAG-302-ST- ** / **	13	28	31,5	38,1	50
250	315	25	1	CAG-303-ST- ** / **	19	38	38	44,45	50
200	250	32	1-1/4	CAG-304-ST- ** / **	19	42,4	43	50,8	55
200	200	38	1-1/2	CAG-305-ST- ** / **	30	50	50	60,35	57
160	200	51	2	CAG-306-ST- ** / **	38	61	62	71,4	57
100	160	64	2-1/2	CAG-307-ST- ** / **	47	74	74	84,1	58
100	160	76	3	CAG-308-ST- ** / **	58	90	90	101,6	60
35	35	89	3-1/2	CAG-309-ST- ** / **	73	100	102	114,3	80
35	35	102	4	CAG-310-ST- ** / **	97	114	114	127	80
35	35	127	5	CAG-311-ST- ** / **	120	140	140	152,4	80

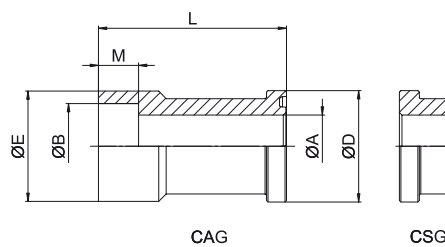
6000 PSI High Pressure Series (according to ISO 6162-2)

PN (bar) ¹		Nominal Size		Order Codes	Dimensions (mm)				
8.8 Bolts	10.9 (MH) Bolts	DN	(in)		Ø A min.	Ø B max.	Ø C	Ø D	L
350	400	13	1/2	CAG-601-ST- ** / **	10	22	24	31,8	34
350	400	19	3/4	CAG-602-ST- ** / **	12	28	32	41,3	38
350	400	25	1	CAG-603-ST- ** / **	18	38	38	47,6	40
350	400	32	1-1/4	CAG-604-ST- ** / ** ²	19	42,4	44	54	45
350	400	38	1-1/2	CAG-605-ST- ** / **	28	51	51	63,5	50
350	400	51	2	CAG-606-ST- ** / **	32	61	67	79,4	58

¹ The maximum working pressure applies only to the flange itself and depends on the bolts used (Grade 8.8 / 10.9). The actual maximum working pressure depends on the thickness and the quality of the tube used.

² According to ISO 6162-2 bolts M12 should be used but because usually bolts M14 are used the description of the complete part must show M14 (e.g. CAG-604-ST-**-**/M14#K).

SAE Socket Weld Flange Adapter / SAE Socket Weld Counterflange Adapter CAG/CSG-ES



Order Codes

- * SAE Socket Weld Flange Adapter (without O-ring) **CAG-...-ES-...**
- * SAE Socket Weld Counterflange Adapter **CSG-...-ES-...**
- * Including Metric bolts 8.8, spring rings, O-ring made of NBR (Buna-N®) and DB (packed in kits) **CAG-...-ES-...#K**
- * Including Metric bolts 10.9, spring rings, O-ring made of NBR (Buna-N®) and DB (packed in kits) **CAG-...-ES-...-MH#K**
- * Including UNC bolts (Gr10), spring rings, O-ring made of FPM (Viton®) and DB (packed in kits) **CAG-...-ES-...-V-U#K**

Material S355J0 or equivalent
Surface blank, oiled
Special Material Stainless Steel 1.4571 "-W5" on request

3000 PSI Standard Pressure Series (according to ISO 6162-1)

PN (bar) ¹		Nominal Size		Order Codes	Dimensions (mm)					
8.8 Bolts	10.9 (MH) Bolts	DN	(in)		Ø A	Ø B	Ø D	Ø E	M	L
350	350	13	1/2	CAG-301-ES-20,5/15	15	20,5	30,2	30	13	60
350	350	13	1/2	CAG-301-ES-21,7/15	15	21,7	30,2	30	13	60
350	350	19	3/4	CAG-302-ES-25,5/19	19	25,5	38,1	35	13	68
350	350	19	3/4	CAG-302-ES-27,3/19	19	27,3	38,1	35	13	68
250	315	25	1	CAG-303-ES-30,5/23	23	30,5	44,45	44	16	75
250	315	25	1	CAG-303-ES-34/25	25	34	44,45	44	16	75
200	250	32	1-1/4	CAG-304-ES-38,5/32	32	38,5	50,8	55	18	95
200	250	32	1-1/4	CAG-304-ES-43/32	32	43	50,8	55	18	95
200	200	38	1-1/2	CAG-305-ES-49/38	38	49	60,3	63	20	100
200	200	38	1-1/2	CAG-305-ES-50,4/38	38	50,4	60,3	63	20	100
160	200	51	2	CAG-306-ES-61/50	50	61	71,4	79	22	107
100	160	64	2-1/2	CAG-307-ES-77/58	58	77	84,1	98	24	130
100	160	76	3	CAG-308-ES-90,5/70	70	90,5	101,6	116	28	150

6000 PSI High Pressure Series (according to ISO 6162-2)

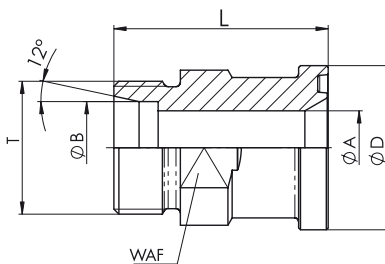
PN (bar) ¹		Nominal Size		Order Codes	Dimensions (mm)					
8.8 Bolts	10.9 (MH) Bolts	DN	(in)		Ø A	Ø B	Ø D	Ø E	M	L
350	400	13	1/2	CAG-601-ES-20,5/15	20,5	15	31,8	32	13	60
350	400	13	1/2	CAG-601-ES-21,7/15	21,7	15	31,8	32	13	60
350	400	19	3/4	CAG-602-ES-25,7/19	25,7	19	41,3	40	13	68
350	400	19	3/4	CAG-602-ES-27,3/19	27,3	19	41,3	40	13	68
350	400	25	1	CAG-603-ES-34/25	34,0	25	47,6	48	16	75

¹ The maximum working pressure applies only to the flange itself and depends on the bolts used (Grade 8.8 / 10.9). The actual maximum working pressure depends on the thickness and the quality of the tube used.

SAE Flange Adapter with 24° Cone Connector (acc. to ISO 8434-1 / DIN 2353) CAG-L/S

Order Codes

- ★ SAE Flange Adapter with 24° cone connector (acc. to ISO 8434-1 / DIN 2353) (without O-ring) **CAG-...**
- ★ Including Metric bolts 8.8, spring rings, O-ring made of NBR (Buna-N®) and DB (packed in kits) **CAG-...#K**
- ★ Including Metric bolts 10.9, spring rings, O-ring made of NBR (Buna-N®) and DB (packed in kits) **CAG-...-MH#K**
- ★ Including , UNC bolts (Gr10), spring rings, O-ring made of FPM (Viton®) and DB (packed in kits) **CAG-...-V-U#K**



Material S355J0 or equivalent
Surface CrVI-free
Special Material Stainless Steel 1.4571 “-W5” on request

3000 PSI Standard Pressure Series (according to ISO 6162-1)

PN (bar) ¹		Nominal Size		Order Codes	Dimensions (mm)					
8.8 Bolts	10.9 (MH) Bolts	DN	(in)		Ø A	Ø B x Series	Ø D	L	WAF	T (Metric)
350	350	13	1/2	CAG-301-L15	12	15 L	30,2	48	24	22x1,5
350	350	13	1/2	CAG-301-S16	12	16 S	30,2	50	24	24x1,5
350	350	19	3/4	CAG-302-L18	15	18 L	38,1	53	30	26x1,5
350	350	19	3/4	CAG-302-S20	16	20 S	38,1	57	30	30x2
350	350	19	3/4	CAG-302-L22	19	22 L	38,1	53	30	30x2
350	350	19	3/4	CAG-302-S25	17	25 S	38,1	57	30	36x2
350	350	19	3/4	CAG-302-L28	19	28 L	38,1	53	30	36x2
250	315	25	1	CAG-303-S25	20	25 S	44,45	58	36	36x2
250	315	25	1	CAG-303-L28	24	28 L	44,45	54	36	36x2
250	315	25	1	CAG-303-S30	24	30 S	44,45	63	36	42x2
200	250	32	1-1/4	CAG-304-S25	20	25 S	50,8	60	41	36x2
200	250	32	1-1/4	CAG-304-L28	22	28 L	50,8	59	41	36x2
200	250	32	1-1/4	CAG-304-S30	25	30 S	50,8	62	41	42x2
200	250	32	1-1/4	CAG-304-L35	30	35 L	50,8	58	41	45x2
200	250	32	1-1/4	CAG-304-S38	28	38 S	50,8	67	46	52x2
200	200	38	1-1/2	CAG-305-S38	32	38 S	60,35	70	46	52x2
200	200	38	1-1/2	CAG-305-L42	36	42 L	60,35	64	46	52x2

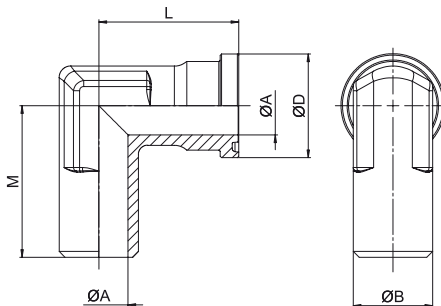
6000 PSI High Pressure Series (according to ISO 6162-2)

PN (bar) ¹		Nominal Size		Order Codes	Dimensions (mm)					
8.8 Bolts	10.9 (MH) Bolts	DN	(in)		Ø A	Ø B x Series	Ø D	L	WAF	T (Metric)
350	400	13	1/2	CAG-601-S16	12	16 S	31,8	53	24	24x1,5
350	400	19	3/4	CAG-602-S16	12	16 S	41,3	59	30	24x1,5
350	400	19	3/4	CAG-602-S20	16	20 S	41,3	61	30	30x2
350	400	19	3/4	CAG-602-S25	17	25 S	41,3	63	30	36x2
350	400	19	3/4	CAG-602-S30	18	30 S	41,3	64	36	42x2
350	400	25	1	CAG-603-S25	20	25 S	47,6	72	36	36x2
350	400	25	1	CAG-603-S30	24	30 S	47,6	74	36	42x2
350	400	32	1-1/4	CAG-604-S30 ²	25	30 S	54	79	41	42x2
350	400	32	1-1/4	CAG-604-S38 ²	30	38 S	54	83	46	52x2
350	400	38	1-1/2	CAG-605-S38	30	38 S	63,5	89	46	52x2

¹ The maximum working pressure applies only to the flange itself and depends on the bolts used (Grade 8.8 / 10.9). The actual maximum working pressure depends on the thickness and the quality of the tube used.

² According to ISO 6162-2 bolts M12 should be used but because usually bolts M14 are used the description of the complete part must show M14 (e.g. CAG-604-S30-M14#K).

SAE 90° Butt Weld Flange Adapter CAG90-ST



Order Codes

- ★ SAE 90° Butt Weld Flange Adapter **CAG90-...-ST-...**
(without O-ring)
- ★ Including Metric bolts 8.8, spring **CAG90-...-ST-...#K**
rings, O-ring made of NBR (Buna-N®) and DB
(packed in kits)
- ★ Including Metric bolts 10.9, **CAG90-...-ST-...-MH#K**
spring rings, O-ring made of NBR (Buna-N®) and DB
(packed in kits)
- ★ Including UNC bolts (Gr10), **CAG90-...-ST-...-V-U#K**
spring rings, O-ring made of FPM (Viton®) and DB
(packed in kits)

Material S355J0 or equivalent
Surface blank, oiled
Special Material Stainless Steel 1.4404 "-W5" on request

3000 PSI Standard Pressure Series (according to ISO 6162-1)

PN (bar) ¹		Nominal Size		Order Codes	Dimensions (mm)				
8.8 Bolts	10.9 (MH) Bolts	DN	(in)		Ø A	Ø B	D	L	M
350	350	13	1/2	CAG90-301-ST-15/11	11	15	30,2	39	38
350	350	13	1/2	CAG90-301-ST-16/12	12	16	30,2	39	38
350	350	13	1/2	CAG90-301-ST-21,3/14	14	21,3	30,2	39	38
350	350	19	3/4	CAG90-302-ST-18/15	15	18	38,1	42	45
350	350	19	3/4	CAG90-302-ST-20/14	14	20	38,1	42	45
350	350	19	3/4	CAG90-302-ST-22/16	16	22	38,1	42	45
350	350	19	3/4	CAG90-302-ST-26,9/19	19	26,9	38,1	42	45
250	315	25	1	CAG90-303-ST-25/19	19	25	44,45	45	50
250	315	25	1	CAG90-303-ST-30/22	22	30	44,45	45	50
250	315	25	1	CAG90-303-ST-33,7/25	25	33,7	44,45	45	50
200	250	32	1-1/4	CAG90-304-ST-25/19	19	25	50,8	50	59
200	250	32	1-1/4	CAG90-304-ST-30/22	22	30	50,8	50	59
200	250	32	1-1/4	CAG90-304-ST-35/31	31	35	50,8	50	59
200	250	32	1-1/4	CAG90-304-ST-38/28	28	38	50,8	50	59
200	250	32	1-1/4	CAG90-304-ST-42,4/32	32	42,4	50,8	50	59
200	200	38	1-1/2	CAG90-305-ST-38/28	28	38	60,35	76	56
200	200	38	1-1/2	CAG90-305-ST-42/36	36	42	60,35	76	56
200	200	38	1-1/2	CAG90-305-ST-48,3/38	38	48,3	60,35	76	56

6000 PSI High Pressure Series (according to ISO 6162-2)

PN (bar) ¹		Nominal Size		Order Codes	Dimensions (mm)				
8.8 Bolts	10.9 (MH) Bolts	DN	(in)		Ø A	Ø B	D	L	M
350	400	13	1/2	CAG90-601-ST-16/10	10	16	31,8	39	38
350	400	13	1/2	CAG90-601-ST-21,3/12	12	21,3	31,8	39	38
350	400	19	3/4	CAG90-602-ST-16/10	10	16	41,3	48	48
350	400	19	3/4	CAG90-602-ST-20/12	12	20	41,2	48	48
350	400	19	3/4	CAG90-602-ST-25/16	16	25	41,3	48	48
350	400	19	3/4	CAG90-602-ST-26,9/16	16	26,9	41,3	48	48
350	400	25	1	CAG90-603-ST-25/17	17	25	47,6	60	60
350	400	25	1	CAG90-603-ST-30/22	22	30	47,6	60	60
350	400	25	1	CAG90-603-ST-33,7/25	25	33,7	47,6	60	60
350	400	25	1	CAG90-603-ST-33,7/21	21	33,7	47,6	60	60
350	400	32	1-1/4	CAG90-604-ST-30/22 ²	22	30	54	68	68
350	400	32	1-1/4	CAG90-604-ST-38/28 ²	28	38	53	68	68
350	400	32	1-1/4	CAG90-604-ST-42,4/30 ²	30	42,4	54	68	68
350	400	32	1-1/4	CAG90-604-ST-38/22 ²	22	38	54	68	68
350	400	38	1-1/2	CAG90-605-ST-38/28	28	38	63,5	76	76
350	400	38	1-1/2	CAG90-605-ST-38/22	22	38	63,5	76	76
350	400	38	1-1/2	CAG90-605-ST-48,3/34	34	48,3	63,6	76	76
350	400	38	1-1/2	CAG90-605-ST-48,3/32	32	48,3	63,5	76	76

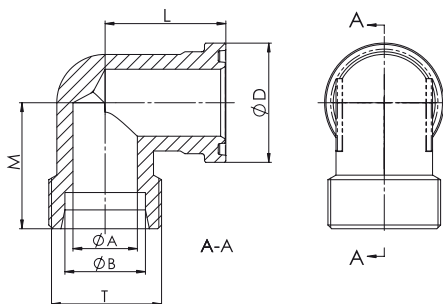
¹ The maximum working pressure applies only to the flange itself and depends on the bolts used (Grade 8.8 / 10.9). The actual maximum working pressure depends on the thickness and the quality of the tube used.

² According to ISO 6162-2 bolts M12 should be used but because usually bolts M14 are used the description of the complete part must show M14 (CAG90-604-ST-30/22-M14#K).

SAE 90° Flange Adapter with 24° Cone Connector (ISO 8434-1/DIN 2353) CAG90-L/S

Order Codes

- ★ SAE 90° Flange Adapter with 24° cone connector (acc. to ISO 8434-1 / DIN 2353) (without O-ring) **CAG90-...**
- ★ Including Metric bolts 8.8, spring rings, O-ring made of NBR (Buna-N®) and DB (packed in kits) **CAG90-...#K**
- ★ Including Metric bolts 10.9, spring rings, O-ring made of NBR (Buna-N®) and DB (packed in kits) **CAG90-...-MH#K**
- ★ Including UNC bolts (Gr10), spring rings, O-ring made of FPM (Viton®) and DB (packed in kits) **CAG90-...-V-U#K**



Material S355J0 or equivalent
Surface CrVI-free
Special Material Stainless Steel 1.4404 "W5" on request

3000 PSI Standard Pressure Series (according to ISO 6162-1)

PN (bar) ¹		Nominal Size		Order Codes	Dimensions (mm)					
8.8 Bolts	10.9 (MH) Bolts	DN	(in)		Ø A	Ø B x Series	Ø D	L	M	T (Metric)
350	350	13	1/2	CAG90-301-L15	12	15 L	30,2	39	36	22x1,5
350	350	13	1/2	CAG90-301-S16	12	16 S	30,2	39	38	24x1,5
350	350	19	3/4	CAG90-302-L18	15	18 L	38,1	42	39	26x1,5
350	350	19	3/4	CAG90-302-S20	16	20 S	38,1	42	43	30x2
350	350	19	3/4	CAG90-302-L22	19	22 L	38,1	42	41	30x2
350	350	19	3/4	CAG90-302-S25	17	25 S	38,1	42	45	36x2
250	315	25	1	CAG90-303-S25	20	25 S	44,45	45	48,5	36x2
250	315	25	1	CAG90-303-L28	24	28 L	44,45	45	45,5	36x2
250	315	25	1	CAG90-303-S30	24	30 S	44,45	45	50	42x2
200	250	32	1-1/4	CAG90-304-S25	20	25 S	50,8	50	55	36x2
200	250	32	1-1/4	CAG90-304-S30	25	30 S	50,8	50	57	42x2
200	250	32	1-1/4	CAG90-304-L35	30	35 L	50,8	50	57	45x2
200	250	32	1-1/4	CAG90-304-S38	28	38 S	50,8	50	59	52x2
200	200	38	1-1/2	CAG90-305-S38	32	38 S	60,35	55	64	52x2
200	200	38	1-1/2	CAG90-305-L42	36	42 L	60,35	55	58	52x2

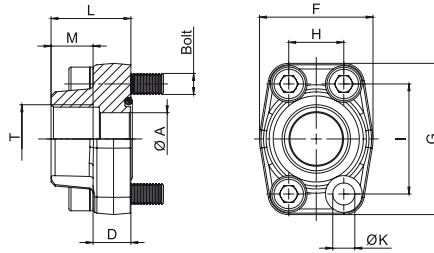
6000 PSI High Pressure Series (according to ISO 6162-2)

PN (bar) ¹		Nominal Size		Order Codes	Dimensions (mm)					
8.8 Bolts	10.9 (MH) Bolts	DN	(in)		Ø A	Ø B x Series	Ø D	L	M	T (Metric)
350	400	13	1/2	CAG90-601-S16	12	16 S	31,8	39	37,9	24x1,5
350	400	19	3/4	CAG90-602-S16	12	16 S	41,3	48	45	24x1,5
350	400	19	3/4	CAG90-602-S20	16	20 S	41,3	48	46	30x2
350	400	19	3/4	CAG90-602-S25	17	25 S	41,3	48	48	36x2
350	400	25	1	CAG90-603-S25	20	25 S	47,6	60	53	36x2
350	400	25	1	CAG90-603-S30	24	30 S	47,6	60	55	42x2
350	400	32	1-1/4	CAG90-604-S30 ²	25	30 S	54	68	58	42x2
350	400	32	1-1/4	CAG90-604-S38 ²	30	38 S	54	68	61	52x2
350	400	38	1-1/2	CAG90-605-S30	25	30 S	63,5	76	72	42x2
350	400	38	1-1/2	CAG90-605-S38	30	38 S	63,5	76	72	52x2

¹ The maximum working pressure applies only to the flange itself and depends on the bolts used (Grade 8.8 / 10.9). The actual maximum working pressure depends on the thickness and the quality of the tube used.

² According to ISO 6162-2 bolts M12 should be used but because usually bolts M14 are used the description of the complete part must show M14 (e.g. CAG90-604-S30-M14#K).

SAE Single-Part Screw-in BSPP Threaded Flange BFX-G



Order Codes

- * SAE Single-Part Screw-in BSPP Threaded Flange (without O-ring) **BFX...-G**
- * Deviant screw-in BSPP thread, including Metric bolts 8.8, spring rings, O-ring made of NBR (Buna-N®) (packed in kits) **BFX...-G*** #K**
- * Deviant screw-in BSPP thread, including Metric bolts 10.9, spring rings, O-ring made of NBR (Buna-N®) (packed in kits) **BFX...-G***-MH#K**
- * Including UNC bolts (Gr10), spring rings, O-ring made of FPM (Viton®) (packed in kits) **BFX...-G-V-U#K**

Material S355J0 or equivalent
Surface blank, oiled
Special Material Stainless Steel 1.4404 "-W5" on request

3000 PSI Standard Pressure Series (according to ISO 6162-1)

PN (bar) ¹		Nominal Size		Order Codes	Dimensions (mm)										for Bolts	
8.8 Bolts	10.9 (MH) Bolts	DN	(in)		Ø A	D	F	G	H	I	L	M	T (BSPP)	Ø K ³	Metr. ³	UNC
350	350	13	1/2	BFX-301-G	13	16,0	47	57	17,5	38,1	36	15	1/2	8,7	M8x30	5/16-18 UNC x 1-1/4
350	350	13	1/2	BFX-301-G038	13	16,0	47	57	17,5	38,1	36	20	3/8	8,7	M8x30	5/16-18 UNC x 1-1/4
350	350	19	3/4	BFX-302-G	19	18,0	50	67	22,3	47,6	36	18	3/4	10,5	M10x35	3/8-16 UNC x 1-1/2
350	350	19	3/4	BFX-302-G012	13	18,0	50	67	22,3	47,6	36	15	1/2	10,5	M10x35	3/8-16 UNC x 1-1/2
250	315	25	1	BFX-303-G	25	18,0	54	72	26,2	52,4	38	20	1	10,5	M10x35	3/8-16 UNC x 1-1/2
250	315	25	1	BFX-303-G034	19	18,0	54	72	26,2	52,4	38	18	3/4	10,5	M10x35	3/8-16 UNC x 1-1/2
200	250	32	1-1/4	BFX-304-G	31	21,0	68	82	30,2	58,7	41	22	1-1/4	11,7 (12,5)	M10x40 (M12x40)	7/16-14 UNC x 1-1/2
200	250	32	1-1/4	BFX-304-G100	25	21,0	68	82	30,2	58,7	41	20	1	11,7 (12,5)	M10x40 (M12x40)	7/16-14 UNC x 1-1/2
200	200	38	1-1/2	BFX-305-G	38	25,0	79	96	35,7	69,9	44	24	1-1/2	13,5 (14,5)	M12x45 (M14x45)	1/2-13 UNC x 1-3/4
200	200	38	1-1/2	BFX-305-G114	31	25,0	79	96	35,7	69,9	44	22	1-1/4	13,5 (14,5)	M12x45 (M14x45)	1/2-13 UNC x 1-3/4
160	200	51	2	BFX-306-G	50	25,5	88	102	42,9	77,8	45	26	2	13,5 (14,5)	M12x45 (M14x45)	1/2-13 UNC x 1-3/4
160	200	51	2	BFX-306-G112	38	25,5	88	102	42,9	77,8	45	24	1-1/2	13,5 (14,5)	M12x45 (M14x45)	1/2-13 UNC x 1-3/4
100	160	64	2-1/2	BFX-307-G	63	26,0	101	115	50,8	88,9	50	30	2-1/2	13,5 (14,5)	M12x45 (M14x45)	1/2-13 UNC x 1-3/4
100	160	64	2-1/2	BFX-307-G200	50	26,0	101	115	50,8	88,9	50	26	2	13,5 (14,5)	M12x45 (M14x45)	1/2-13 UNC x 1-3/4
100	160	76	3	BFX-308-G	73	27,5	127	137	61,9	106,4	50	30	3	17,0	M16x50	5/8-11 UNC x 2
100	160	76	3	BFX-308-G212	63	27,5	127	137	61,9	106,4	50	30	2-1/2	17,0	M16x50	5/8-11 UNC x 2
35	35	89	3-1/2	BFX-309-G	89	27,5	138	155	69,8	120,7	50	30	3-1/2	17,0	M16x50	5/8-11 UNC x 2
35	35	102	4	BFX-310-G	99	27,5	147	163	77,8	130,2	50	30	4	17,0	M16x50	5/8-11 UNC x 2
35	35	127	5	BFX-311-G	120	28,0	180	184	92,0	152,4	50	30	5	17,0	M16x55	5/8-11 UNC x 2-1/4

6000 PSI High Pressure Series (according to ISO 6162-2)

PN (bar) ¹		Nominal Size		Order Codes	Dimensions (mm)										for Bolts	
8.8 Bolts	10.9 (MH) Bolts	DN	(in)		Ø A	D	F	G	H	I	L	M	T (BSPP)	Ø K ³	Metr.	UNC
350	400	13	1/2	BFX-601-G	14	16,5	47	57	18,2	40,5	36	15	1/2	8,7	M8x30	5/16-18 UNC x 1-1/4
350	400	13	1/2	BFX-601-G038	14	16,5	47	57	18,2	40,5	36	20	3/8	8,7	M8x30	5/16-18 UNC x 1-1/4
350	400	19	3/4	BFX-602-G	19	19,5	54	72	23,8	50,8	36	18	3/4	10,5	M10x35	3/8-16 UNC x 1-1/2
350	400	19	3/4	BFX-602-G012	14	19,5	54	72	23,8	50,8	36	15	1/2	10,5	M10x35	3/8-16 UNC x 1-1/2
350	400	25	1	BFX-603-G	25	24,5	68	82	27,8	57,2	44	20	1	13,0	M12x45	7/16-14 UNC x 1-3/4
350	400	25	1	BFX-603-G034	19	24,5	68	82	27,8	57,2	44	18	3/4	13,0	M12x45	7/16-14 UNC x 1-3/4
350	400	32	1-1/4	BFX-604-G	31	27,5	79	95	31,6	66,6	44	22	1-1/4	13,5	M12x45	1/2-13 UNC x 1-3/4
350	400	32	1-1/4	BFX-604-G-M14	31	27,5	79	95	31,6	66,6	44	22	1-1/4	15,0	M14x45	
350	400	32	1-1/4	BFX-604-G100	25	27,5	79	95	31,6	66,6	44	20	1	13,5	M12x45	1/2-13 UNC x 1-3/4
350	400	32	1-1/4	BFX-604-G100-M14	25	27,5	79	95	31,6	66,6	44	20	1	15,0	M14x45	
350	400	38	1-1/2	BFX-605-G	38	31,0	88	108	36,5	79,3	51	24	1-1/2	17,0	M16x55	5/8-11 UNC x 2-1/4
350	400	38	1-1/2	BFX-605-G114	31	31,0	88	108	36,5	79,3	51	22	1-1/4	17,0	M16x55	5/8-11 UNC x 2-1/4
350	400	51	2	BFX-606-G	50	37,0	118	137	44,5	96,8	65	33	2	21,0	M20x70	3/4-10 UNC x 2-3/4

¹ The maximum working pressure applies only to the flange itself and depends on the bolts used (Grade 8.8 / 10.9). The actual maximum working pressure depends on the thickness and the quality of the tube used.

² For UNC threaded bolts, use hexagon head bolts only. Please note that these do not belong to our product range.

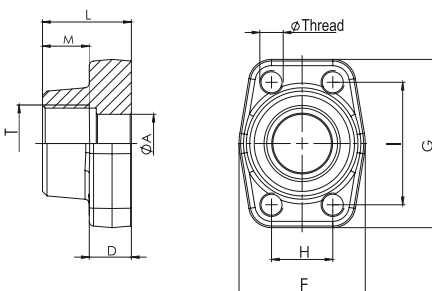
³ Alternative options shown in brackets are available on request.

SAE Single-Part Screw-in BSPP Threaded Counterflange BAS-G

Order Codes

- * SAE Single-Part Screw-in BSPP Threaded Counterflange
- * For UNC bolts
- * Deviant screw-in BSPP thread
- * For deviant Metric bolts (M14), deviant screw-in BSPP thread

BAS-...-G
BAS-...-GU
BAS-...-G***
BAS-...-GM14-100



Material S355J0 or equivalent
Surface blank, oiled
Special Material Stainless Steel 1.4404 "W5" on request

3000 PSI Standard Pressure Series (according to ISO 6162-1)

PN (bar) ¹		Nominal Size		Order Codes	Dimensions (mm)										Ø Thread	
8.8 Bolts	10.9 (MH) Bolts	DN	(in)		Ø A	D	F	G	H	I	L	M	T (BSPP)	Metr. ³	UNC	
350	350	13	1/2	BAS-301-G	13	16,0	47	57	17,5	38,1	36	15	1/2	M8	5/16-18 UNC	
350	350	13	1/2	BAS-301-G038	13	16,0	47	57	17,5	38,1	36	20	3/8	M8	5/16-18 UNC	
350	350	19	3/4	BAS-302-G	19	18,0	50	67	22,3	47,6	36	18	3/4	M10	3/8-16 UNC	
350	350	19	3/4	BAS-302-G012	13	18,0	50	67	22,3	47,6	36	15	1/2	M10	3/8-16 UNC	
250	315	25	1	BAS-303-G	25	18,0	54	72	26,2	52,4	38	20	1	M10	3/8-16 UNC	
250	315	25	1	BAS-303-G034	19	18,0	54	72	26,2	52,4	38	18	3/4	M10	3/8-16 UNC	
200	250	32	1-1/4	BAS-304-G	31	21,0	68	82	30,2	58,7	41	22	1-1/4	M10 (M12)	7/16-14 UNC	
200	250	32	1-1/4	BAS-304-G100	25	21,0	68	82	30,2	58,7	41	20	1	M10 (M12)	7/16-14 UNC	
200	200	38	1-1/2	BAS-305-G	38	25,0	79	96	35,7	69,9	44	24	1-1/2	M12 (M14)	1/2-13 UNC	
200	200	38	1-1/2	BAS-305-G114	31	25,0	79	96	35,7	69,9	44	22	1-1/4	M12 (M14)	1/2-13 UNC	
160	200	51	2	BAS-306-G	50	25,5	88	102	42,9	77,8	45	26	2	M12 (M14)	1/2-13 UNC	
160	200	51	2	BAS-306-G112	38	25,5	88	102	42,9	77,8	45	24	1-1/2	M12 (M14)	1/2-13 UNC	
100	160	64	2-1/2	BAS-307-G	63	26,0	101	115	50,8	88,9	50	30	2-1/2	M12 (M14)	1/2-13 UNC	
100	160	64	2-1/2	BAS-307-G200	50	26,0	101	115	50,8	88,9	50	26	2	M12 (M14)	1/2-13 UNC	
100	160	76	3	BAS-308-G	73	27,5	127	137	61,9	106,4	50	30	3	M16	5/8-11 UNC	
100	160	76	3	BAS-308-G212	63	27,5	127	137	61,9	106,4	50	30	2-1/2	M16	5/8-11 UNC	
35	35	89	3-1/2	BAS-309-G	89	27,5	138	155	69,8	120,7	50	30	3-1/2	M16	5/8-11 UNC	
35	35	102	4	BAS-310-G	99	27,5	147	163	77,8	130,2	50	30	4	M16	5/8-11 UNC	
35	35	127	5	BAS-311-G	120	28,0	180	184	92,0	152,4	50	30	5	M16	5/8-11 UNC	

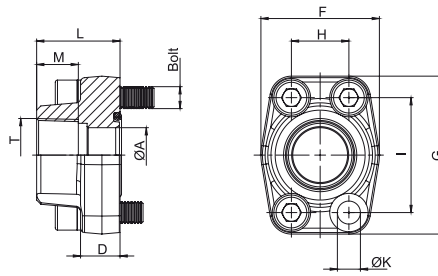
6000 PSI High Pressure Series (according to ISO 6162-2)

PN (bar) ¹		Nominal Size		Order Codes	Dimensions (mm)										Ø Thread	
8.8 Bolts	10.9 (MH) Bolts	DN	(in)		Ø A	D	F	G	H	I	L	M	T (BSPP)	Metr.	UNC	
350	400	13	1/2	BAS-601-G	14	16,5	47	57	18,2	40,5	36	15	1/2	M8	5/16-18 UNC	
350	400	13	1/2	BAS-601-G038	14	16,5	47	57	18,2	40,5	36	20	3/8	M8	5/16-18 UNC	
350	400	19	3/4	BAS-602-G	19	19,5	54	72	23,8	50,8	36	18	3/4	M10	3/8-16 UNC	
350	400	19	3/4	BAS-602-G012	14	19,5	54	72	23,8	50,8	36	15	1/2	M10	3/8-16 UNC	
350	400	25	1	BAS-603-G	25	24,5	68	82	27,8	57,2	44	20	1	M12	7/16-14 UNC	
350	400	25	1	BAS-603-G034	19	24,5	68	82	27,8	57,2	44	18	3/4	M12	7/16-14 UNC	
350	400	32	1-1/4	BAS-604-G	31	27,5	79	95	31,6	66,6	44	22	1-1/4	M12	1/2-13 UNC	
350	400	32	1-1/4	BAS-604-GM14	31	27,5	79	95	31,6	66,6	44	22	1-1/4	M14		
350	400	32	1-1/4	BAS-604-G100	25	27,5	79	95	31,6	66,6	44	20	1	M12	1/2-13 UNC	
350	400	32	1-1/4	BAS-604-GM14-100	25	27,5	79	95	31,6	66,6	44	20	1	M14		
350	400	38	1-1/2	BAS-605-G	38	31,0	88	108	36,5	79,3	51	24	1-1/2	M16	5/8-11 UNC	
350	400	38	1-1/2	BAS-605-G114	31	31,0	88	108	36,5	79,3	51	22	1-1/4	M16	5/8-11 UNC	
350	400	51	2	BAS-606-G	50	37,0	118	137	44,5	96,8	58	33	2	M20	3/4-10 UNC	

¹ The maximum working pressure applies only to the flange itself and depends on the bolts used (Grade 8.8 / 10.9). The actual maximum working pressure depends on the thickness and the quality of the tube used.

³ Alternative options shown in brackets are available on request.

SAE Single-Part Screw-in NPT Threaded Flange BFX-N



Material S355J0 or equivalent
Surface blank, oiled
Special Material Stainless Steel 1.4404 " -W5" on request

Order Codes

- ★ SAE Single-Part Screw-in NPT Threaded Flange (without O-ring) **BFX...-N**
- ★ Deviant screw-in NPT thread, including Metric bolts 8.8, spring rings, O-ring made of NBR (Buna-N®) (packed in kits) **BFX...-N***#K**
- ★ Deviant screw-in NPT thread, including Metric bolts 10.9, spring rings, O-ring made of NBR (Buna-N®) (packed in kits) **BFX...-N***-MH#K**
- ★ Including UNC bolts (Gr10), spring rings, O-ring made of FPM (Viton®) (packed in kits) **BFX...-N-V-U#K**

3000 PSI Standard Pressure Series (according to ISO 6162-1)

PN (bar) ¹		Nominal Size		Order Codes	Dimensions (mm)										for Bolts	
8.8 Bolts	10.9 (MH) Bolts	DN	(in)		Ø A	D	F	G	H	I	L	M	T (NPT)	Ø K ³	Metr. ³	UNC
350	350	13	1/2	BFX-301-N	13	16,0	47	57	17,5	38,1	36	15	1/2	8,7	M8x30	5/16-18 UNC x 1-1/4
350	350	13	1/2	BFX-301-N038	13	16,0	47	57	17,5	38,1	36	20	3/8	8,7	M8x30	5/16-18 UNC x 1-1/4
350	350	19	3/4	BFX-302-N	19	18,0	50	67	22,3	47,6	36	18	3/4	10,5	M10x35	3/8-16 UNC x 1-1/2
350	350	19	3/4	BFX-302-N012	13	18,0	50	67	22,3	47,6	36	15	1/2	10,5	M10x35	3/8-16 UNC x 1-1/2
250	315	25	1	BFX-303-N	25	18,0	54	72	26,2	52,4	38	20	1	10,5	M10x35	3/8-16 UNC x 1-1/2
250	315	25	1	BFX-303-N034	19	18,0	54	72	26,2	52,4	38	18	3/4	10,5	M10x35	3/8-16 UNC x 1-1/2
200	250	32	1-1/4	BFX-304-N	31	21,0	68	82	30,2	58,7	41	22	1-1/4	11,7 (12,5)	M10x40 (M12x40)	7/16-14 UNC x 1-1/2
200	250	32	1-1/4	BFX-304-N100	25	21,0	68	82	30,2	58,7	41	20	1	11,7 (12,5)	M10x40 (M12x40)	7/16-14 UNC x 1-1/2
200	200	38	1-1/2	BFX-305-N	38	25,0	79	96	35,7	69,9	44	24	1-1/2	13,5 (14,5)	M12x45 (M14x45)	1/2-13 UNC x 1-3/4
200	200	38	1-1/2	BFX-305-N114	31	25,0	79	96	35,7	69,9	44	22	1-1/4	13,5 (14,5)	M12x45 (M14x45)	1/2-13 UNC x 1-3/4
160	200	51	2	BFX-306-N	50	25,5	88	102	42,9	77,8	45	26	2	13,5 (14,5)	M12x45 (M14x45)	1/2-13 UNC x 1-3/4
160	200	51	2	BFX-306-N112	38	25,5	88	102	42,9	77,8	45	24	1-1/2	13,5 (14,5)	M12x45 (M14x45)	1/2-13 UNC x 1-3/4
100	160	64	2-1/2	BFX-307-N	63	26,0	101	115	50,8	88,9	50	30	2-1/2	13,5 (14,5)	M12x45 (M14x45)	1/2-13 UNC x 1-3/4
100	160	64	2-1/2	BFX-307-N200	50	26,0	101	115	50,8	88,9	50	26	2	13,5 (14,5)	M12x45 (M14x45)	1/2-13 UNC x 1-3/4
100	160	76	3	BFX-308-N	73	27,5	127	137	61,9	106,4	50	30	3	17,0	M16x50	5/8-11 UNC x 2
100	160	76	3	BFX-308-N212	63	27,5	127	137	61,9	106,4	50	30	2-1/2	17,0	M16x50	5/8-11 UNC x 2
35	35	89	3-1/2	BFX-309-N	89	27,5	138	155	69,8	120,7	50	30	3-1/2	17,0	M16x50	5/8-11 UNC x 2
35	35	102	4	BFX-310-N	99	27,5	147	163	77,8	130,2	50	30	4	17,0	M16x50	5/8-11 UNC x 2
35	35	127	5	BFX-311-N	120	28,0	180	184	92,0	152,4	50	30	5	17,0	M16x55	5/8-11 UNC x 2-1/4

6000 PSI High Pressure Series (according to ISO 6162-2)

PN (bar) ¹		Nominal Size		Order Codes	Dimensions (mm)										for Bolts	
8.8 Bolts	10.9 (MH) Bolts	DN	(in)		Ø A	D	F	G	H	I	L	M	T (NPT)	Ø K ³	Metr.	UNC
350	400	13	1/2	BFX-601-N	14	16,5	47	57	18,2	40,5	36	15	1/2	8,7	M8x30	5/16-18 UNC x 1-1/4
350	400	13	1/2	BFX-601-N038	14	16,5	47	57	18,2	40,5	36	20	3/8	8,7	M8x30	5/16-18 UNC x 1-1/4
350	400	19	3/4	BFX-602-N	19	19,5	54	72	23,8	50,8	36	18	3/4	10,5	M10x35	3/8-16 UNC x 1-1/2
350	400	19	3/4	BFX-602-N012	14	19,5	54	72	23,8	50,8	36	15	1/2	10,5	M10x35	3/8-16 UNC x 1-1/2
350	400	25	1	BFX-603-N	25	24,5	68	82	27,8	57,2	44	20	1	13,0	M12x45	7/16-14 UNC x 1-3/4
350	400	25	1	BFX-603-N034	19	24,5	68	82	27,8	57,2	44	18	3/4	13,0	M12x45	7/16-14 UNC x 1-3/4
350	400	32	1-1/4	BFX-604-N	31	27,5	79	95	31,6	66,6	44	22	1-1/4	13,5	M12x45	1/2-13 UNC x 1-3/4
350	400	32	1-1/4	BFX-604-N-M14	31	27,5	79	95	31,6	66,6	44	22	1-1/4	15,0	M14x45	
350	400	32	1-1/4	BFX-604-N100	25	27,5	79	95	31,6	66,6	44	20	1	13,5	M12x45	1/2-13 UNC x 1-3/4
350	400	32	1-1/4	BFX-604-N100-M14	25	27,5	79	95	31,6	66,6	44	20	1	15,0	M14x45	
350	400	38	1-1/2	BFX-605-N	38	31,0	88	108	36,5	79,3	51	24	1-1/2	17,0	M16x55	5/8-11 UNC x 2-1/4
350	400	38	1-1/2	BFX-605-N114	31	31,0	88	108	36,5	79,3	51	22	1-1/4	17,0	M16x55	5/8-11 UNC x 2-1/4
350	400	51	2	BFX-606-N	50	37,0	118	137	44,5	96,8	65	33	2	21,0	M20x70	3/4-10 UNC x 2-3/4

¹ The maximum working pressure applies only to the flange itself and depends on the bolts used (Grade 8.8 / 10.9). The actual maximum working pressure depends on the thickness and the quality of the tube used.

² For UNC threaded bolts, use hexagon head bolts only. Please note that these do not belong to our product range.

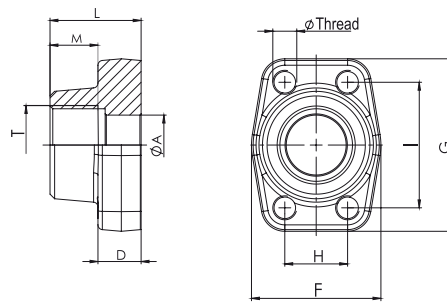
³ Alternative options shown in brackets are available on request.

SAE Single-Part Screw-in NPT Threaded Counterflange BAS-N

Order Codes

- * SAE Single-Part Screw-in NPT Threaded Counterflange
- * For UNC bolts
- * Deviant screw-in NPT thread
- * For deviant Metric bolts (M14), deviant screw-in NPT thread

BAS-...-N
BAS-...-NU
BAS-...-N***
BAS-...-NM14-100



Material S355J0 or equivalent
Surface blank, oiled
Special Material Stainless Steel 1.4404 "W5" on request

3000 PSI Standard Pressure Series (according to ISO 6162-1)

PN (bar) ¹		Nominal Size		Order Codes	Dimensions (mm)									Ø Thread	
8.8 Bolts	10.9 (MH) Bolts	DN	(in)		Ø A	D	F	G	H	I	L	M	T (NPT)	Metr. ³	UNC
350	350	13	1/2	BAS-301-N	13	16,0	47	57	17,5	38,1	36	15	1/2	M8	5/16-18 UNC
350	350	13	1/2	BAS-301-N038	13	16,0	47	57	17,5	38,1	36	20	3/8	M8	5/16-18 UNC
350	350	19	3/4	BAS-302-N	19	18,0	50	67	22,3	47,6	36	18	3/4	M10	3/8-16 UNC
350	350	19	3/4	BAS-302-N012	13	18,0	50	67	22,3	47,6	36	15	1/2	M10	3/8-16 UNC
250	315	25	1	BAS-303-N	25	18,0	54	72	26,2	52,4	38	20	1	M10	3/8-16 UNC
250	315	25	1	BAS-303-N034	19	18,0	54	72	26,2	52,4	38	18	3/4	M10	3/8-16 UNC
200	250	32	1-1/4	BAS-304-N	31	21,0	68	82	30,2	58,7	41	22	1-1/4	M10 (M12)	7/16-14 UNC
200	250	32	1-1/4	BAS-304-N100	25	21,0	68	82	30,2	58,7	41	20	1	M10 (M12)	7/16-14 UNC
200	200	38	1-1/2	BAS-305-N	38	25,0	79	96	35,7	69,9	44	24	1-1/2	M12 (M14)	1/2-13 UNC
200	200	38	1-1/2	BAS-305-N114	31	25,0	79	96	35,7	69,9	44	22	1-1/4	M12 (M14)	1/2-13 UNC
160	200	51	2	BAS-306-N	50	25,5	88	102	42,9	77,8	45	26	2	M12 (M14)	1/2-13 UNC
160	200	51	2	BAS-306-N112	38	25,5	88	102	42,9	77,8	45	24	1-1/2	M12 (M14)	1/2-13 UNC
100	160	64	2-1/2	BAS-307-N	63	26,0	101	115	50,8	88,9	50	30	2-1/2	M12 (M14)	1/2-13 UNC
100	160	64	2-1/2	BAS-307-N200	50	26,0	101	115	50,8	88,9	50	26	2	M12 (M14)	1/2-13 UNC
100	160	76	3	BAS-308-N	73	27,5	127	137	61,9	106,4	50	30	3	M16	5/8-11 UNC
100	160	76	3	BAS-308-N212	63	27,5	127	137	61,9	106,4	50	30	2-1/2	M16	5/8-11 UNC
35	35	89	3-1/2	BAS-309-N	89	27,5	138	155	69,8	120,7	50	30	3-1/2	M16	5/8-11 UNC
35	35	102	4	BAS-310-N	99	27,5	147	163	77,8	130,2	50	30	4	M16	5/8-11 UNC
35	35	127	5	BAS-311-N	120	28,0	180	184	92,0	152,4	50	30	5	M16	5/8-11 UNC

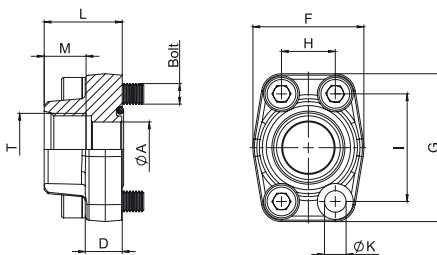
6000 PSI High Pressure Series (according to ISO 6162-2)

PN (bar) ¹		Nominal Size		Order Codes	Dimensions (mm)									Ø Thread	
8.8 Bolts	10.9 (MH) Bolts	DN	(in)		Ø A	D	F	G	H	I	L	M	T (NPT)	Metr.	UNC
350	400	13	1/2	BAS-601-N	14	16,5	47	57	18,2	40,5	36	15	1/2	M8	5/16-18 UNC
350	400	13	1/2	BAS-601-N038	14	16,5	47	57	18,2	40,5	36	20	3/8	M8	5/16-18 UNC
350	400	19	3/4	BAS-602-N	19	19,5	54	72	23,8	50,8	36	18	3/4	M10	3/8-16 UNC
350	400	19	3/4	BAS-602-N012	14	19,5	54	72	23,8	50,8	36	15	1/2	M10	3/8-16 UNC
350	400	25	1	BAS-603-N	25	24,5	68	82	27,8	57,2	44	20	1	M12	7/16-14 UNC
350	400	25	1	BAS-603-N034	19	24,5	68	82	27,8	57,2	44	18	3/4	M12	7/16-14 UNC
350	400	32	1-1/4	BAS-604-N	31	27,5	79	95	31,6	66,6	44	22	1-1/4	M12	1/2-13 UNC
350	400	32	1-1/4	BAS-604-NM14	31	27,5	79	95	31,6	66,6	44	22	1-1/4	M14	
350	400	32	1-1/4	BAS-604-N100	25	27,5	79	95	31,6	66,6	44	20	1	M12	1/2-13 UNC
350	400	32	1-1/4	BAS-604-NM14-100	25	27,5	79	95	31,6	66,6	44	20	1	M14	
350	400	38	1-1/2	BAS-605-N	38	31,0	88	108	36,5	79,3	51	24	1-1/2	M16	5/8-11 UNC
350	400	38	1-1/2	BAS-605-N114	31	31,0	88	108	36,5	79,3	51	22	1-1/4	M16	5/8-11 UNC
350	400	51	2	BAS-606-N	50	37,0	118	137	44,5	96,8	58	33	2	M20	3/4-10 UNC

¹ The maximum working pressure applies only to the flange itself and depends on the bolts used (Grade 8.8 / 10.9). The actual maximum working pressure depends on the thickness and the quality of the tube used.

³ Alternative options shown in brackets are available on request.

SAE Single-Part Screw-in UN Threaded Flange BFX-U



Order Codes

- * SAE Single-Part Screw-in UN Threaded Flange (without O-ring) **BFX-...-U****
- * Including Metric bolts 8.8, spring rings, O-ring made of NBR (Buna-N®) (packed in kits) **BFX-...-U**#K**
- * Including Metric bolts 10.9, spring rings, O-ring made of NBR (Buna-N®) (packed in kits) **BFX-...-U**-MH#K**
- * Including UNC bolts (Gr10), spring rings, O-ring made of FPM (Viton®) (packed in kits) **BFX-...-U**-V-U#K**

Material S355J0 or equivalent
Surface blank, oiled
Special Material Stainless Steel 1.4404 "-W5" on request

3000 PSI Standard Pressure Series (according to ISO 6162-1)

PN (bar) ¹		Nominal Size		Order Codes	Dimensions (mm)										for Bolts	
8.8 Bolts	10.9 (MH) Bolts	DN	(in)		Ø A	D	F	G	H	I	L	M	T (UN/UNF)	Ø K ³	Metr. ³	UNC
350	350	13	1/2	BFX-301-U3/4	13	16	47	57	17,5	38,1	36	14,3	3/4-16	8,7	M8x30	5/16-18 UNC x 1-1/4
350	350	19	3/4	BFX-302-U7/8	19	18	50	67	22,3	47,6	36	16,7	7/8-14	10,5	M10x35	3/8-16 UNC x 1-1/2
350	350	19	3/4	BFX-302-U11/16	19	18	50	67	22,3	47,6	36	16,7	1-1/16-12	10,5	M10x35	3/8-16 UNC x 1-1/2
250	315	25	1	BFX-303-U11/16	25	18	54	72	26,2	52,4	38	19,0	1-1/16-12	10,5	M10x35	3/8-16 UNC x 1-1/2
250	315	25	1	BFX-303-U15/16	25	18	54	72	26,2	52,4	38	19,0	1-5/16-12	10,5	M10x35	3/8-16 UNC x 1-1/2
200	250	32	1-1/4	BFX-304-U15/16	31	21	68	82	30,2	58,7	41	19,0	1-5/16-12	11,7 (12,5)	M10x40 (M12x40)	7/16-14 UNC x 1-1/2
200	250	32	1-1/4	BFX-304-U15/8	31	21	68	82	30,2	58,7	41	19,0	1-5/8-12	11,7 (12,5)	M10x40 (M12x40)	7/16-14 UNC x 1-1/2
200	200	38	1-1/2	BFX-305-U15/8	38	25	79	96	35,7	69,9	41	19,0	1-5/8-12	13,5 (14,5)	M12x45 (M14x45)	1/2-13 UNC x 1-3/4
200	200	38	1-1/2	BFX-305-U17/8	38	25	79	96	35,7	69,9	41	19,0	1-7/8-12	13,5 (14,5)	M12x45 (M14x45)	1/2-13 UNC x 1-3/4

6000 PSI High Pressure Series (according to ISO 6162-2)

PN (bar) ¹		Nominal Size		Order Codes	Dimensions (mm)										for Bolts	
8.8 Bolts	10.9 (MH) Bolts	DN	(in)		Ø A	D	F	G	H	I	L	M	T (UN/UNF)	Ø K	Metr.	UNC
350	400	13	1/2	BFX-601-U3/4	13	16,5	47	57	18,2	40,5	36	14,3	3/4-16	8,7	M8x30	5/16-18 UNC x 1-1/4
350	400	19	3/4	BFX-602-U7/8	19	19,5	54	72	23,8	50,8	36	16,7	7/8-14	10,5	M10x35	3/8-16 UNC x 1-1/2
350	400	19	3/4	BFX-602-U11/16	19	19,5	54	72	23,8	50,8	36	16,7	1-1/16-12	10,5	M10x35	3/8-16 UNC x 1-1/2
350	400	25	1	BFX-603-U11/16	25	24,5	68	82	27,8	57,1	44	19,0	1-1/16-12	13,0	M12x45	7/16-14 UNC x 1-3/4
350	400	25	1	BFX-603-U15/16	25	24,5	68	82	27,8	57,1	44	19,0	1-5/16-12	13,0	M12x45	7/16-14 UNC x 1-3/4
350	400	32	1-1/4	BFX-604-U15/16	31	27,5	79	95	31,6	66,7	44	19,0	1-5/16-12	13,5		1/2-13 UNC x 1-3/4
350	400	32	1-1/4	BFX-604-U15/16-M14	31	27,5	79	95	31,6	66,7	44	19,0	1-5/16-12	15,0	M14x45	
350	400	32	1-1/4	BFX-604-U15/8	31	27,5	79	95	31,6	66,7	44	19,0	1-5/8-12	13,5		1/2-13 UNC x 1-3/4
350	400	32	1-1/4	BFX-604-U15/8-M14	31	27,5	79	95	31,6	66,7	44	19,0	1-5/8-12	15,0	M14x45	
350	400	38	1-1/2	BFX-605-U15/8	38	31,0	88	108	36,5	79,4	51	19,0	1-5/8-12	17,0	M16x55	5/8-11 UNC x 2-1/4
350	400	38	1-1/2	BFX-605-U17/8	38	31,0	88	108	36,5	79,4	51	19,0	1-7/8-12	17,0	M16x55	5/8-11 UNC x 2-1/4

¹ The maximum working pressure applies only to the flange itself and depends on the bolts used (Grade 8.8 / 10.9). The actual maximum working pressure depends on the thickness and the quality of the tube used.

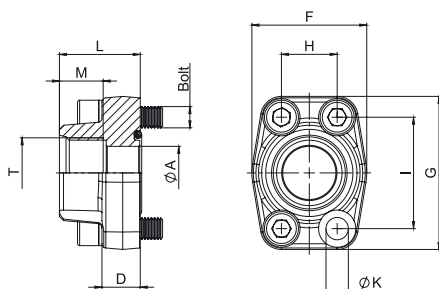
² For UNC threaded bolts, use hexagon head bolts only. Please note that these do not belong to our product range.

³ Alternative options shown in brackets are available on request.

SAE Single-Part Screw-in Metric Threaded Flange BFX-M

Order Codes

- * SAE Single-Part Screw-in Metric Threaded Flange (without O-ring) **BFX-...-M****
- * Including Metric bolts 8.8, spring rings, O-ring made of NBR (Buna-N®) (packed in kits) **BFX-...-M* *#K**
- * Including Metric bolts 10.9, spring rings, O-ring made of NBR (Buna-N®) (packed in kits) **BFX-...-M**-MH#K**



Material S355J0 or equivalent
Surface blank, oiled
Special Material Stainless Steel 1.4404 "-W5" on request

3000 PSI Standard Pressure Series (according to ISO 6162-1)

PN (bar) ¹		Nominal Size		Order Codes	Dimensions (mm)										for Bolts
8.8 Bolts	10.9 (MH) Bolts	DN	(in)		Ø A	D	F	G	H	I	L	M	T (Metric)	Ø K ³	Metr. ³
350	350	13	1/2	BFX-301-M18	13	16	47	57	17,5	38,1	36	15	18x1,5	8,7	M8x30
350	350	13	1/2	BFX-301-M20	13	16	47	57	17,5	38,1	36	15	20x1,5	8,7	M8x30
350	350	19	3/4	BFX-302-M22	19	18	50	67	22,3	47,6	36	16	22x1,5	10,5	M10x35
350	350	19	3/4	BFX-302-M27	19	18	50	67	22,3	47,6	36	19	27x2	10,5	M10x35
250	315	25	1	BFX-303-M27	25	18	54	72	26,2	52,4	38	19	27x2	10,5	M10x35
250	315	25	1	BFX-303-M33	25	18	54	72	26,2	52,4	38	19	33x2	10,5	M10x35
200	250	32	1-1/4	BFX-304-M33	31	21	68	82	30,2	58,7	41	19	33x2	10,5 (12,5)	M10x40 (M12x40)
200	250	32	1-1/4	BFX-304-M42	31	21	68	82	30,2	58,7	41	20	42x2	10,5 (12,5)	M10x40 (M12x40)
200	200	38	1-1/2	BFX-305-M42	38	25	79	96	35,7	69,9	44	20	42x2	13,5 (14,5)	M12x45 (M14x45)
200	200	38	1-1/2	BFX-305-M48	38	25	79	96	35,7	69,9	44	22	48x2	13,5 (14,5)	M12x45 (M14x45)

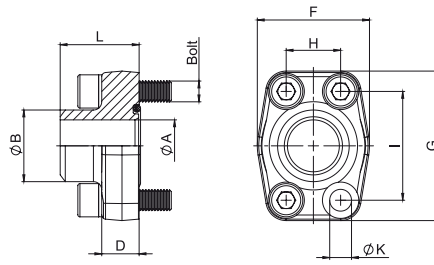
6000 PSI High Pressure Series (according to ISO 6162-2)

PN (bar) ¹		Nominal Size		Order Codes	Dimensions (mm)										for Bolts
8.8 Bolts	10.9 (MH) Bolts	DN	(in)		Ø A	D	F	G	H	I	L	M	T (Metric)	Ø K	Metr.
350	400	13	1/2	BFX-601-M18	13	16,5	47	57	18,2	40,5	36	15	18x1,5	8,7	M8x30
350	400	13	1/2	BFX-601-M20	13	16,5	47	57	18,2	40,5	36	15	20x1,5	8,7	M8x30
350	400	19	3/4	BFX-602-M22	19	19,5	54	72	23,8	50,8	36	16	22x1,5	10,5	M10x35
350	400	19	3/4	BFX-602-M27	19	19,5	54	72	23,8	50,8	36	19	27x2	10,5	M10x35
350	400	25	1	BFX-603-M27	25	24,5	68	82	27,8	57,2	44	19	27x2	13,0	M12x45
350	400	25	1	BFX-603-M33	25	24,5	68	82	27,8	57,2	44	19	33x2	13,0	M12x45
350	400	32	1-1/4	BFX-604-M33	31	27,5	79	95	31,6	66,6	44	19	33x2	13,5	M12x45
350	400	32	1-1/4	BFX-604-M33-M14	31	27,5	79	95	31,6	66,6	44	19	33x2	15,0	M14x45
350	400	32	1-1/4	BFX-604-M42	31	27,5	79	95	31,6	66,6	44	20	42x2	13,5	M12x45
350	400	32	1-1/4	BFX-604-M42-M14	31	27,5	79	95	31,6	66,6	44	20	42x2	15,0	M14x45
350	400	38	1-1/2	BFX-605-M42	38	31,0	88	108	36,5	79,3	51	20	42x2	17,0	M16x55
350	400	38	1-1/2	BFX-605-M48	38	31,0	88	108	36,5	79,3	51	22	48x2	17,0	M16x55

¹ The maximum working pressure applies only to the flange itself and depends on the bolts used (Grade 8.8 / 10.9). The actual maximum working pressure depends on the thickness and the quality of the tube used.

³ Alternative options shown in brackets are available on request.

SAE Single-Part Butt Weld Flange for High Pressure Tubes BFX-ST



Order Codes

- ★ SAE Single-Part Butt Weld Flange **BFX-...-ST-**-**** (without O-ring)
- ★ Including Metric bolts 8.8, **BFX-...-ST-**-**#K** spring rings, O-ring made of NBR (Buna-N®) (packed in kits)
- ★ Including Metric bolts 10.9, **BFX-...-ST-**-**-MH#K** spring rings, O-ring made of NBR (Buna-N®) (packed in kits)
- ★ Including UNC bolts (Gr10), **BFX-...-ST-**-**-V-U#K** spring rings, O-ring made of FPM (Viton®) (packed in kits)

Material S355J0 or equivalent
Surface blank, oiled
Special Material Stainless Steel 1.4404 "-W5" on request

3000 PSI Standard Pressure Series (according to ISO 6162-1)

PN (bar) ¹		Nominal Size		Order Codes	Dimensions (mm)									for Bolts	
8.8 Bolts	10.9 (MH) Bolts	DN	(in)		Ø A	Ø B	D	F	G	H	I	L	Ø K ³	Metr. ³	UNC
350	350	13	1/2	BFX-301-ST-21,6/13	13	21,6	16,0	47	57	17,5	38,1	36	8,7	M8x30	5/16-18 UNC x 1-1/4
350	350	13	1/2	BFX-301-ST-17,5/13	13	17,5	16,0	47	57	17,5	38,1	36	8,7	M8x30	5/16-18 UNC x 1-1/4
350	350	19	3/4	BFX-302-ST-27,2/19	19	27,2	18,0	50	67	22,3	47,6	36	10,5	M10x35	3/8-16 UNC x 1-1/2
250	315	25	1	BFX-303-ST-34/25	25	34,0	18,0	54	72	26,2	52,4	38	10,5	M10x35	3/8-16 UNC x 1-1/2
200	250	32	1-1/4	BFX-304-ST-42,8/32	32	42,8	21,0	68	82	30,2	58,7	41	11,7 (12,5)	M10x40 (M12x40)	7/16-14 UNC x 1-1/2
200	200	38	1-1/2	BFX-305-ST-48,6/38	38	48,6	25,0	79	96	35,7	69,8	44	13,5 (14,5)	M12x45 (M14x45)	1/2-13 UNC x 1-3/4
160	200	51	2	BFX-306-ST-61/51	51	61,0	25,5	88	102	42,9	77,8	45	13,5 (14,5)	M12x45 (M14x45)	1/2-13 UNC x 1-3/4
100	160	64	2-1/2	BFX-307-ST-77/63	63	77,0	26,0	101	115	50,8	88,9	50	13,5 (14,5)	M12x45 (M14x45)	1/2-13 UNC x 1-3/4
100	160	76	3	BFX-308-ST-92/73	73	92,0	27,5	127	137	61,9	106,4	50	17,0	M16x50	5/8-11 UNC x 2
35	35	89	3-1/2	BFX-309-ST-103/89	89	103,0	27,5	138	155	69,9	120,7	50	17,0	M16x50	5/8-11 UNC x 2
35	35	102	4	BFX-310-ST-115,5/99	99	115,5	27,5	147	163	77,8	130,2	50	17,0	M16x50	5/8-11 UNC x 2
35	35	127	5	BFX-311-ST-140,2/120	120	140,2	28,0	180	184	92,0	152,4	50	17,0	M16x55	5/8-11 UNC x 2-1/4

6000 PSI High Pressure Series (according to ISO 6162-2)

PN (bar) ¹		Nominal Size		Order Codes	Dimensions (mm)									for Bolts	
8.8 Bolts	10.9 (MH) Bolts	DN	(in)		Ø A	Ø B	D	F	G	H	I	L	Ø K	Metr.	UNC
350	400	13	1/2	BFX-601-ST-21,6/13	13	21,6	16,5	47	57	18,2	40,5	36	8,7	M8x30	5/16-18 UNC x 1-1/4
350	400	13	1/2	BFX-601-ST-17,5/13	13	17,5	16,5	47	57	18,2	40,5	36	8,7	M8x30	5/16-18 UNC x 1-1/4
350	400	19	3/4	BFX-602-ST-28/19	19	28,0	19,5	54	72	23,8	50,8	36	10,5	M10x35	3/8-16 UNC x 1-1/2
350	400	25	1	BFX-603-ST-34/25	25	34,0	24,5	68	82	27,8	57,2	41	13,0	M12x45	7/16-14 UNC x 1-3/4
350	400	32	1-1/4	BFX-604-ST-42,8/32	32	42,8	27,5	79	95	31,8	66,6	44	13,5	M12x45	1/2-13 UNC x 1-3/4
350	400	32	1-1/4	BFX-604-ST-42,8/32-M14	32	42,8	27,5	79	95	31,8	66,6	44	15,0	M14x45	
350	400	32	1-1/4	BFX-604-ST-42,8/29	29	42,8	27,5	79	95	31,8	66,6	44	13,5	M12x45	1/2-13 UNC x 1-3/4
350	400	32	1-1/4	BFX-604-ST-42,8/29-M14	29	42,8	27,5	79	95	31,8	66,6	44	15,0	M14x45	
350	400	38	1-1/2	BFX-605-ST-48,6/38	38	48,6	31,0	88	108	36,5	79,3	51	17,0	M16x55	5/8-11 UNC x 2-1/4
350	400	38	1-1/2	BFX-605-ST-48,6/32	32	48,6	31,0	88	108	36,5	79,3	51	17,0	M16x55	5/8-11 UNC x 2-1/4
350	400	51	2	BFX-606-ST-61/51	51	61,0	37,0	118	137	44,5	96,8	70	21,0	M20x70	3/4-10 UNC x 2-3/4
350	400	51	2	BFX-606-ST-61/43	43	61,0	37,0	118	137	44,5	96,8	70	21,0	M20x70	3/4-10 UNC x 2-3/4
350	400	64	2-1/2	BFX-607-ST-76,1/51	51	76,1	45,0	150	180	58,7	123,8	80	26,0	M24x90	
350	400	64	2-1/2	BFX-607-ST-90/60	60	90,0	45,0	150	180	58,7	123,8	80	26,0	M24x90	

¹ The maximum working pressure applies only to the flange itself and depends on the bolts used (Grade 8.8 / 10.9). The actual maximum working pressure depends on the thickness and the quality of the tube used.

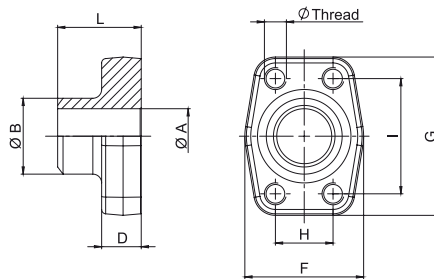
² For UNC threaded bolts, use hexagon head bolts only. Please note that these do not belong to our product range.

³ Alternative options shown in brackets are available on request.

SAE Single-Part Butt Weld Counterflange for High Pressure Tubes BAS-ST

Order Codes

- * SAE Single-Part Butt Weld Counterflange **BAS-...-ST-**-****
- * For UNC bolts **BAS-...-STU-**-****
- * For deviant Metric bolts (M14) **BAS-...-STM14-**-****



Material S355J0 or equivalent
Surface blank, oiled
Special Material Stainless Steel 1.4404 "-W5" on request

3000 PSI Standard Pressure Series (according to ISO 6162-1)

PN (bar) ¹		Nominal Size		Order Codes	Dimensions (mm)								Ø Thread	
8.8 Bolts	10.9 (MH) Bolts	DN	(in)		Ø A	Ø B	D	F	G	H	I	L	Metr. ³	UNC
350	350	13	1/2	BAS-301-ST-21,6/13	13	21,6	16,0	47	57	17,5	38,1	36	M8	5/16-18 UNC
350	350	13	1/2	BAS-301-ST-17,5/13	13	17,5	16,0	47	57	17,5	38,1	36	M8	5/16-18 UNC
350	350	19	3/4	BAS-302-ST-27,2/19	19	27,2	18,0	50	67	22,3	47,6	36	M10	3/8-16 UNC
250	315	25	1	BAS-303-ST-34/25	25	34,0	18,0	54	72	26,2	52,4	38	M10 (M12)	7/16-14 UNC
200	250	32	1-1/4	BAS-304-ST-42,8/32	32	42,8	21,0	68	82	30,2	58,7	41	M10 (M12)	7/16-14 UNC
200	200	38	1-1/2	BAS-305-ST-48,6/38	38	48,6	25,0	79	96	35,7	69,8	44	M12 (M14)	1/2-13 UNC
160	200	51	2	BAS-306-ST-61/51	51	61,0	25,5	88	102	42,9	77,8	45	M12 (M14)	1/2-13 UNC
100	160	64	2-1/2	BAS-307-ST-76,6/63	63	76,6	26,0	101	115	50,8	88,9	50	M12 (M14)	1/2-13 UNC
100	160	76	3	BAS-308-ST-92/73	73	92,0	27,5	127	137	61,9	106,4	50	M16	5/8-11 UNC
35	35	89	3-1/2	BAS-309-ST-103/89	89	103,0	27,5	138	155	69,9	120,7	50	M16	5/8-11 UNC
35	35	102	4	BAS-310-ST-115,5/99	99	115,5	27,5	147	163	77,8	130,2	50	M16	5/8-11 UNC
35	35	127	5	BAS-311-ST-140,2/120	120	140,2	28,0	180	184	92,0	152,4	50	M16	5/8-11 UNC

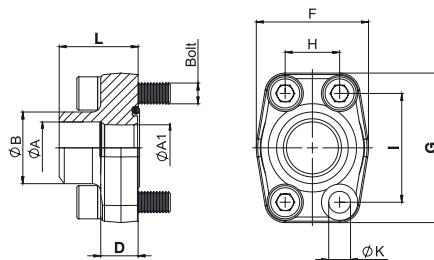
6000 PSI High Pressure Series (according to ISO 6162-2)

PN (bar) ¹		Nominal Size		Order Codes	Dimensions (mm)								Ø Thread	
8.8 Bolts	10.9 (MH) Bolts	DN	(in)		Ø A	Ø B	D	F	G	H	I	L	Metr.	UNC
350	400	13	1/2	BAS-601-ST-21,6/13	13,0	21,6	16,5	47	57	18,2	40,5	36	M8	5/16-18 UNC
350	400	13	1/2	BAS-601-ST-17,5/13	13,0	17,5	16,5	47	57	18,2	40,5	36	M8	5/16-18 UNC
350	400	19	3/4	BAS-602-ST-28/19	19,0	28,0	19,5	54	72	23,8	50,8	36	M10	3/8-16 UNC
350	400	25	1	BAS-603-ST-34/25	25,0	34,0	24,5	68	82	27,8	57,2	41	M12	1/2-13 UNC
350	400	32	1-1/4	BAS-604-ST-42,8/32	32,0	42,8	27,5	79	95	31,8	66,6	44	M12	1/2-13 UNC
350	400	32	1-1/4	BAS-604-STM14-42,8/32	32,0	42,8	27,5	79	95	31,8	66,6	44	M14	
350	400	32	1-1/4	BAS-604-ST-42,8/29	29,0	42,8	27,5	79	95	31,8	66,6	44	M12	1/2-13 UNC
350	400	32	1-1/4	BAS-604-STM14-42,8/29	29,0	42,8	27,5	79	95	31,8	66,6	44	M14	
350	400	38	1-1/2	BAS-605-ST-48,6/38	38,0	48,3	31,0	88	108	36,5	79,3	51	M16	5/8-11 UNC
350	400	38	1-1/2	BAS-605-ST-48,6/32	32,0	48,3	31,0	88	108	36,5	79,3	51	M16	5/8-11 UNC
350	400	51	2	BAS-606-ST-61/51	51,0	61,0	37,0	118	137	44,5	96,8	70	M20	3/4-10 UNC
350	400	51	2	BAS-606-ST-61/43	43,0	61,0	37,0	118	137	44,5	96,8	70	M20	3/4-10 UNC
350	400	64	2-1/2	BAS-607-ST-76,1/51	51,0	76,1	45,0	150	180	58,7	123,8	80	M24	
350	400	64	2-1/2	BAS-607-ST-90/60,5	60,5	90,0	45,0	150	180	58,7	123,8	80	M24	

¹ The maximum working pressure applies only to the flange itself and depends on the bolts used (Grade 8.8 / 10.9). The actual maximum working pressure depends on the thickness and the quality of the tube used.

³ Alternative options shown in brackets are available on request.

SAE Single-Part Butt Weld Flange for Low Pressure Tubes BFX-STRE



Material S355J0 or equivalent
Surface blank, oiled
Special Material Stainless Steel 1.4404 "-W5" on request

Order Codes

- ★ SAE Single-Part Butt Weld Flange (without O-ring) **BFX-...-STRE-**-****
- ★ Including Metric bolts 8.8, spring rings, O-ring made of NBR (Buna-N®) (packed in kits) **BFX-...-STRE-**-**#K**
- ★ Including Metric bolts 10.9, spring rings, O-ring made of NBR (Buna-N®) (packed in kits) **BFX-...-STRE-**-**-MH#K**
- ★ Including UNC bolts (Gr10), spring rings, O-ring made of FPM (Viton®) (packed in kits) **BFX-...-STRE-**-**-V-U#K**

3000 PSI Standard Pressure Series (according to ISO 6162-1)

PN (bar) ¹		Nominal Size		Order Codes	Dimensions (mm)										for Bolts	
8.8 Bolts	10.9 (MH) Bolts	DN	(in)		Ø A	Ø A1	Ø B	D	F	G	H	I	L	Ø K ³	Metr. ³	UNC
350	350	13	1/2	BFX-301-STRE-22/16	16,0	13,0	22,0	16,0	47	57	17,5	38,1	36	8,7	M8x30	5/16-18 UNC x 1-1/4
350	350	19	3/4	BFX-302-STRE-28/21,5	21,5	19,0	28,0	18,0	50	67	22,3	47,6	36	10,5	M10x35	3/8-16 UNC x 1-1/2
250	315	25	1	BFX-303-STRE-35/27	27,0	25,0	35,0	18,0	54	72	26,2	52,4	38	10,5	M10x35	3/8-16 UNC x 1-1/2
200	250	32	1-1/4	BFX-304-STRE-43/36	36,0	31,0	43,0	21,0	68	82	30,2	58,7	41	11,7 (12,5)	M10x40 (M12x40)	7/16-14 UNC x 1-1/2
200	200	38	1-1/2	BFX-305-STRE-49/42	42,0	38,0	49,0	25,0	79	96	35,7	69,8	44	13,5 (14,5)	M12x45 (M14x45)	1/2-13 UNC x 1-3/4
160	200	51	2	BFX-306-STRE-49/42	42,0	42,0	49,0	25,5	88	102	42,9	77,8	45	13,5 (14,5)	M12x45 (M14x45)	1/2-13 UNC x 1-3/4
160	200	51	2	BFX-306-STRE-61/53	53,0	49,0	61,0	25,5	88	102	42,9	77,8	45	13,5 (14,5)	M12x45 (M14x45)	1/2-13 UNC x 1-3/4
100	160	64	2-1/2	BFX-307-STRE-61/53	53,0	53,0	61,0	26,0	101	115	50,8	88,9	50	13,5 (14,5)	M12x45 (M14x45)	1/2-13 UNC x 1-3/4
100	160	64	2-1/2	BFX-307-STRE-77/70	70,0	62,0	77,0	26,0	101	115	50,8	88,9	50	13,5 (14,5)	M12x45 (M14x45)	1/2-13 UNC x 1-3/4
100	160	76	3	BFX-308-STRE-90/82	82,0	74,0	90,0	27,5	127	137	61,9	106,4	50	17,0	M16x50	5/8-11 UNC x 2
35	35	89	3-1/2	BFX-309-STRE-90/82	82,0	82,0	90,0	27,5	138	155	69,9	120,7	50	17,0	M16x50	5/8-11 UNC x 2
35	35	89	3-1/2	BFX-309-STRE-77/70	70,0	70,0	77,0	27,5	138	155	69,9	120,7	50	17,0	M16x50	5/8-11 UNC x 2
35	35	102	4	BFX-310-STRE-90/82	82,0	82,0	90,0	27,5	147	163	77,8	130,2	50	17,0	M16x50	5/8-11 UNC x 2
35	35	102	4	BFX-310-STRE-115/107	107,0	102,0	115,0	27,5	147	163	77,8	130,2	50	17,0	M16x50	5/8-11 UNC x 2
35	35	127	5	BFX-311-STRE-140/131	131,0	120,0	140,2	28,0	180	184	92,0	152,4	50	17,0	M16x55	5/8-11 UNC x 2-1/4

¹ The maximum working pressure applies only to the flange itself and depends on the bolts used (Grade 8.8 / 10.9). The actual maximum working pressure depends on the thickness and the quality of the tube used.

³ Alternative options shown in brackets are available on request.

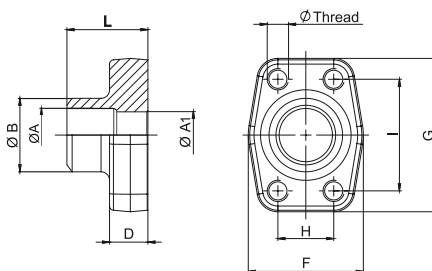
SAE Single-Part Butt Weld Counterflange for Low Pressure Tubes BAS-STRE

Order Codes

★ SAE Single-Part Butt Weld Counterflange (without O-ring) **BAS-...-STRE-**/****

★ For UNC bolts **BAS-...-STREU-**/****

★ For deviant Metric bolts (M14) **BAS-...-STREM14-**/****



Material S355J0 or equivalent
Surface blank, oiled
Special Material Stainless Steel 1.4404 "W5" on request

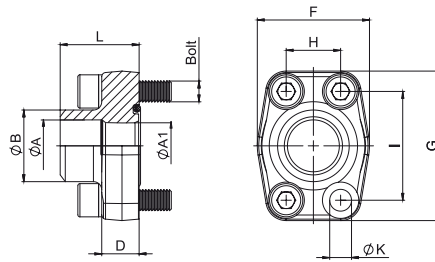
3000 PSI Standard Pressure Series (according to ISO 6162-1)

PN (bar) ¹		Nominal Size		Order Codes	Dimensions (mm)									Ø Thread	
8.8 Bolts	10.9 (MH) Bolts	DN	(in)		Ø A	Ø A1	Ø B	D	F	G	H	I	L	Metr. ³	UNC
350	350	13	1/2	BAS-301-STRE-22/16	16,0	13	22	16,0	47	57	17,5	38,1	36	M8	5/16-18 UNC
350	350	19	3/4	BAS-302-STRE-28/21,5	21,5	19	28	18,0	50	67	22,3	47,6	36	M10	3/8-16 UNC
250	315	25	1	BAS-303-STRE-35/27	27,0	25	35	18,0	54	72	26,2	52,4	38	M10	3/8-16 UNC
200	250	32	1-1/4	BAS-304-STRE-43/36	36,0	31	43	21,0	68	82	30,2	58,7	41	M10 (M12)	7/16-14 UNC
200	200	38	1-1/2	BAS-305-STRE-49/42	42,0	38	49	25,0	79	96	35,7	69,8	44	M12 (M14)	1/2-13 UNC
160	200	51	2	BAS-306-STRE-49/42	42,0	42	49	25,5	88	102	42,9	77,8	45	M12 (M14)	1/2-13 UNC
160	200	51	2	BAS-306-STRE-61/53	53,0	49	61	25,5	88	102	42,9	77,8	45	M12 (M14)	1/2-13 UNC
100	160	64	2-1/2	BAS-307-STRE-61/53	53,0	53	61	26,0	101	115	50,8	88,9	50	M12 (M14)	1/2-13 UNC
100	160	64	2-1/2	BAS-307-STRE-77/70	70,0	62	77	26,0	101	115	50,8	88,9	50	M12 (M14)	1/2-13 UNC
100	160	76	3	BAS-308-STRE-90/82	82,0	74	90	27,5	127	137	61,9	106,4	50	M16	5/8-11 UNC
35	35	89	3-1/2	BAS-309-STRE-90/82	82,0	82	90	27,5	138	155	69,9	120,7	50	M16	5/8-11 UNC
35	35	89	3-1/2	BAS-309-STRE-77/70	70,0	70	77	27,5	138	155	69,9	120,7	50	M16	5/8-11 UNC
35	35	102	4	BAS-310-STRE-90/82	82,0	82	90	27,5	147	163	77,8	130,2	50	M16	5/8-11 UNC
35	35	102	4	BAS-310-STRE-115/107	107,0	102	115	27,5	147	163	77,8	130,2	50	M16	5/8-11 UNC
35	35	127	5	BAS-311-STRE-140/131	131,0	120	140,2	28,0	180	184	92,0	152,4	50	M16	5/8-11 UNC

¹ The maximum working pressure applies only to the flange itself and depends on the bolts used (Grade 8.8 / 10.9). The actual maximum working pressure depends on the thickness and the quality of the tube used.

³ Alternative options shown in brackets are available on request.

SAE Single-Part Butt Weld Flange for Metric Tubes BFX-SRE



Order Codes

- ★ SAE Single-Part Butt Weld Flange (without O-ring) **BFX-...-SRE-**-****
- ★ Including Metric bolts 8.8, spring rings, O-ring made of NBR (Buna-N®) (packed in kits) **BFX-...-SRE-**-**/**#K**
- ★ Including Metric bolts 10.9, spring rings, O-ring made of NBR (Buna-N®) (packed in kits) **BFX-...-SRE-**-**/**-MH#K**
- ★ Including UNC bolts (Gr10), spring rings, O-ring made of FPM (Viton®) (packed in kits) **BFX-...-SRE-**-**/**-V-U#K**

Material S355J0 or equivalent
Surface blank, oiled
Special Material Stainless Steel 1.4404 "-W5" on request

3000 PSI Standard Pressure Series (according to ISO 6162-1)

PN (bar) ¹		Nominal Size		Order Codes	Dimensions (mm)										for Bolts	
8.8 Bolts	10.9 (MH) Bolts	DN	(in)		Ø A	Ø A1	Ø B	D	F	G	H	I	L	Ø K ³	Metr. ³	UNC
350	350	13	1/2	BFX-301-SRE-20/14	14,0	14	20	16,0	47	57	17,5	38,1	36	8,7	M8x30	5/16-18 UNC x 1-1/4
350	350	13	1/2	BFX-301-SRE-22/16	16,0	13	22	16,0	47	57	17,5	38,1	36	8,7	M8x30	5/16-18 UNC x 1-1/4
350	350	19	3/4	BFX-302-SRE-25/19	19,0	19	25	18,0	50	67	22,3	47,6	36	10,5	M10x35	3/8-16 UNC x 1-1/2
350	350	19	3/4	BFX-302-SRE-28/21,5	21,5	19	28	18,0	50	67	22,3	47,6	36	10,5	M10x35	3/8-16 UNC x 1-1/2
250	315	25	1	BFX-303-SRE-30/22	22,0	22	30	18,0	54	72	26,2	52,4	38	10,5	M10x35	3/8-16 UNC x 1-1/2
250	315	25	1	BFX-303-SRE-35/27	27,0	25	35	18,0	54	72	26,2	52,4	38	10,5	M10x35	3/8-16 UNC x 1-1/2
200	250	32	1-1/4	BFX-304-SRE-38/30	30,0	30	38	21,0	68	82	30,2	58,7	41	11,7 (12,5)	M10x40 (M12x40)	7/16-14 UNC x 1-1/2
200	250	32	1-1/4	BFX-304-SRE-43/36	36,0	31	43	21,0	68	82	30,2	58,7	41	11,7 (12,5)	M10x40 (M12x40)	7/16-14 UNC x 1-1/2
200	200	38	1-1/2	BFX-305-SRE-38/30	30,0	30	38	25,0	79	96	35,7	69,9	44	13,5 (14,5)	M12x45 (M14x45)	1/2-13 UNC x 1-3/4
200	200	38	1-1/2	BFX-305-SRE-42/36	36,0	36	42	25,0	79	96	35,7	69,9	44	13,5 (14,5)	M12x45 (M14x45)	1/2-13 UNC x 1-3/4
200	200	38	1-1/2	BFX-305-SRE-49/38	38,0	38	49	25,0	79	96	35,7	69,9	44	13,5 (14,5)	M12x45 (M14x45)	1/2-13 UNC x 1-3/4
160	200	51	2	BFX-306-SRE-61/49	49,0	49	61	25,5	88	102	42,9	77,8	45	13,5 (14,5)	M12x45 (M14x45)	1/2-13 UNC x 1-3/4
100	160	64	2-1/2	BFX-307-SRE-77/62	62,0	62	77	26,0	101	115	50,8	88,9	50	13,5 (14,5)	M12x45 (M14x45)	1/2-13 UNC x 1-3/4
100	160	76	3	BFX-308-SRE-77/62	62,0	62	77	27,5	127	137	61,9	106,4	50	17,0	M16x50	5/8-11 UNC x 2

6000 PSI High Pressure Series (according to ISO 6162-2)

PN (bar) ¹		Nominal Size		Order Codes	Dimensions (mm)										for Bolts	
8.8 Bolts	10.9 (MH) Bolts	DN	(in)		Ø A	Ø A1	Ø B	D	F	G	H	I	L	Ø K	Metr.	UNC
350	400	13	1/2	BFX-601-SRE-20/14	14	14	20	16,5	47	57	18,2	40,5	36	8,7	M8x30	5/16-18 UNC x 1-1/4
350	400	19	3/4	BFX-602-SRE-20/14	14	14	20	19,5	54	72	23,8	50,8	36	10,5	M10x35	3/8-16 UNC x 1-1/2
350	400	19	3/4	BFX-602-SRE-25/17	17	17	25	19,5	54	72	23,8	50,8	36	10,5	M10x35	3/8-16 UNC x 1-1/2
350	400	25	1	BFX-603-SRE-25/17	17	17	25	24,5	68	82	27,8	57,2	44	13,0	M12x45	7/16-14 UNC x 1-3/4
350	400	25	1	BFX-603-SRE-30/22	22	22	30	24,5	68	82	27,8	57,2	44	13,0	M12x45	7/16-14 UNC x 1-3/4
350	400	32	1-1/4	BFX-604-SRE-30/22	22	22	30	27,5	79	95	31,6	66,6	44	13,5	M12x45	1/2-13 UNC x 1-3/4
350	400	32	1-1/4	BFX-604-SRE-30/22-M14	22	22	30	27,5	79	95	31,6	66,6	44	15,0	M14x45	
350	400	32	1-1/4	BFX-604-SRE-38/26	26	26	38	27,5	79	95	31,6	66,6	44	13,5	M12x45	1/2-13 UNC x 1-3/4
350	400	32	1-1/4	BFX-604-SRE-38/26-M14	26	26	38	27,5	79	95	31,6	66,6	44	15,0	M14x45	
350	400	38	1-1/2	BFX-605-SRE-38/26	26	26	38	28,0	88	108	36,5	79,3	56	17,0	M16x55	5/8-11 UNC x 2-1/4
350	400	38	1-1/2	BFX-605-SRE-49/32	32	32	49	28,0	88	108	36,5	79,3	56	17,0	M16x55	5/8-11 UNC x 2-1/4
350	400	38	1-1/2	BFX-605-SRE-61/40	40	40	61	28,0	88	108	36,5	79,3	56	17,0	M16x55	5/8-11 UNC x 2-1/4
350	400	51	2	BFX-606-SRE-61/40	40	40	61	37,0	118	137	44,5	96,8	70	21,0	M20x70	3/4-10 UNC x 2-3/4
350	400	51	2	BFX-606-SRE-76/50	50	48	76	33,0	118	137	44,5	96,8	70	21,0	M20x65	3/4-10 UNC x 2-1/2

¹ The maximum working pressure applies only to the flange itself and depends on the bolts used (Grade 8.8 / 10.9). The actual maximum working pressure depends on the thickness and the quality of the tube used.

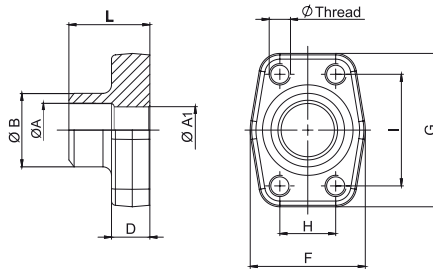
² For UNC threaded bolts, use hexagon head bolts only. Please note that these do not belong to our product range.

³ Alternative options shown in brackets are available on request.

SAE Single-Part Butt Weld Counterflange for Metric Tubes BAS-SRE

Order Codes

- * SAE Single-Part Butt Weld Counterflange **BAS-...-SRE-**-**/****
- * For UNC bolts **BAS-...-SREU-**-**/****
- * For deviant Metric bolts (M14) **BAS-...-SREM14-**-**/****



Material S355J0 or equivalent
Surface blank, oiled
Special Material Stainless Steel 1.4404 "W5" on request

3000 PSI Standard Pressure Series (according to ISO 6162-1)

PN (bar) ¹		Nominal Size		Order Codes	Dimensions (mm)										Ø Thread	
8.8 Bolts	10.9 (MH) Bolts	DN	(in)		Ø A	Ø A1	Ø B	D	F	G	H	I	L	Metr. ³	UNC	
350	350	13	1/2	BAS-301-SRE-20/14	14,0	14	20	16,0	47	57	17,5	38,1	36	M8	5/16-18 UNC	
350	350	13	1/2	BAS-301-SRE-22/16	16,0	13	22	16,0	47	57	17,5	38,1	36	M8	5/16-18 UNC	
350	350	19	3/4	BAS-302-SRE-25/19	19,0	19	25	18,0	50	67	22,3	47,6	36	M10	3/8-16 UNC	
350	350	19	3/4	BAS-302-SRE-28/21,5	21,5	19	28	18,0	50	67	22,3	47,6	36	M10	3/8-16 UNC	
250	315	25	1	BAS-303-SRE-30/22	22,0	22	30	18,0	54	72	26,2	52,4	38	M10	3/8-16 UNC	
250	315	25	1	BAS-303-SRE-35/27	27,0	25	35	18,0	54	72	26,2	52,4	38	M10	3/8-16 UNC	
200	250	32	1-1/4	BAS-304-SRE-38/30	30,0	30	38	21,0	68	82	30,2	58,7	41	M10 (M12)	7/16-14 UNC	
200	250	32	1-1/4	BAS-304-SRE-43/36	36,0	31	43	21,0	68	82	30,2	58,7	41	M10 (M12)	7/16-14 UNC	
200	200	38	1-1/2	BAS-305-SRE-38/30	30,0	30	38	25,0	79	96	35,7	69,9	44	M12 (M14)	1/2-13 UNC	
200	200	38	1-1/2	BAS-305-SRE-42/36	36,0	36	42	25,0	79	96	35,7	69,9	44	M12 (M14)	1/2-13 UNC	
200	200	38	1-1/2	BAS-305-SRE-49/38	38,0	38	49	25,0	79	96	35,7	69,9	44	M12 (M14)	1/2-13 UNC	
160	200	51	2	BAS-306-SRE-61/49	49,0	49	61	25,5	88	102	42,9	77,8	45	M12 (M14)	1/2-13 UNC	
100	160	64	2-1/2	BAS-307-SRE-77/62	62,0	62	77	26,0	101	115	50,8	88,9	50	M12 (M14)	1/2-13 UNC	
100	160	76	3	BAS-308-SRE-77/62	62,0	62	77	27,5	127	137	61,9	106,4	50	M16	5/8-11 UNC	

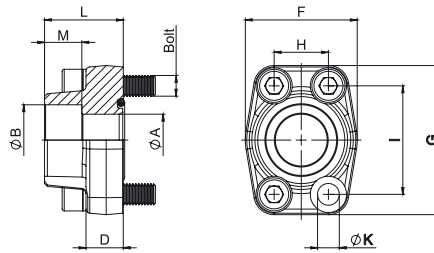
6000 PSI High Pressure Series (according to ISO 6162-2)

PN (bar) ¹		Nominal Size		Order Codes	Dimensions (mm)										Ø Thread	
8.8 Bolts	10.9 (MH) Bolts	DN	(in)		Ø A	Ø A1	Ø B	D	F	G	H	I	L	Metr.	UNC	
350	400	13	1/2	BAS-601-SRE-20/14	14	14	20	16,5	47	57	18,2	40,5	36	M8	5/16-18 UNC	
350	400	19	3/4	BAS-602-SRE-20/14	14	14	20	19,5	54	72	23,8	50,8	36	M10	3/8-16 UNC	
350	400	19	3/4	BAS-602-SRE-25/17	17	17	25	19,5	54	72	23,8	50,8	36	M10	3/8-16 UNC	
350	400	25	1	BAS-603-SRE-25/17	17	17	25	24,5	68	82	27,8	57,2	44	M12	7/16-14 UNC	
350	400	25	1	BAS-603-SRE-30/22	22	22	30	24,5	68	82	27,8	57,2	44	M12	7/16-14 UNC	
350	400	32	1-1/4	BAS-604-SRE-30/22	22	22	30	27,5	79	95	31,6	66,6	44	M12	1/2-13 UNC	
350	400	32	1-1/4	BAS-604-SREM14-30/22	22	22	30	27,5	79	95	31,6	66,6	44	M14		
350	400	32	1-1/4	BAS-604-SRE-38/26	26	26	38	27,5	79	95	31,6	66,6	44	M12	1/2-13 UNC	
350	400	32	1-1/4	BAS-604-SREM14-38/26	26	26	38	27,5	79	95	31,6	66,6	44	M14		
350	400	38	1-1/2	BAS-605-SRE-38/26	26	26	38	28,0	88	108	36,5	79,3	56	M16	5/8-11 UNC	
350	400	38	1-1/2	BAS-605-SRE-49/32	32	32	49	28,0	88	108	36,5	79,3	56	M16	5/8-11 UNC	
350	400	38	1-1/2	BAS-605-SRE-61/40	40	40	61	28,0	88	108	36,5	79,3	56	M16	5/8-11 UNC	
350	400	51	2	BAS-606-SRE-61/40	40	40	61	37,0	118	137	44,5	96,8	70	M20	3/4-10 UNC	
350	400	51	2	BAS-606-SRE-76/50	50	48	76	33,0	118	137	44,5	96,8	70	M20	3/4-10 UNC	

¹ The maximum working pressure applies only to the flange itself and depends on the bolts used (Grade 8.8 / 10.9). The actual maximum working pressure depends on the thickness and the quality of the tube used.

³ Alternative options shown in brackets are available on request.

**SAE Single-Part Socket Weld Flange
BFX-ES**



Material S355J0 or equivalent
Surface blank, oiled
Special Material Stainless Steel 1.4404 “-W5” on request

Order Codes

- ★ SAE Single-Part Socket Weld Flange (without O-ring) **BFX-...-ES-**-**/****
- ★ Including Metric bolts 8.8, spring rings, O-ring made of NBR (Buna-N®) (packed in kits) **BFX-...-ES-**-**/**#K**
- ★ Including Metric bolts 10.9, spring rings, O-ring made of NBR (Buna-N®) (packed in kits) **BFX-...-ES-**-**/**-MH#K**
- ★ Including UNC bolts (Gr10), spring rings, O-ring made of FPM (Viton®) (packed in kits) **BFX-...-ES-**-**/**-V-U#K**

3000 PSI Standard Pressure Series (according to ISO 6162-1)

PN (bar) ¹		Nominal Size		Order Codes	Dimensions (mm)											for Bolts	
8.8 Bolts	10.9 (MH) Bolts	DN	(in)		Ø A	Ø B	D	F	G	H	I	L	M	Ø K ³	Metr. ³	UNC	
350	350	13	1/2	BFX-301-ES-21,6/13	13	21,6	16	47	57	17,5	38,1	36	18	8,7	M8x30	5/16-18 UNC x 1-1/4	
350	350	13	1/2	BFX-301-ES-17,5/13	13	17,5	16,0	47	57	17,5	38,1	36	18	8,7	M8x30	5/16-18 UNC x 1-1/4	
350	350	13	1/2	BFX-301-ES-20,3/13	13	20,3	16,0	47	57	17,5	38,1	36	18	8,7	M8x30	5/16-18 UNC x 1-1/4	
350	350	19	3/4	BFX-302-ES-27,2/19	19	27,2	18,0	50	67	22,3	47,6	36	18	10,5	M10x35	3/8-16 UNC x 1-1/2	
350	350	19	3/4	BFX-302-ES-25,3/19	19	25,3	18,0	50	67	22,3	47,6	36	18	10,5	M10x35	3/8-16 UNC x 1-1/2	
250	315	25	1	BFX-303-ES-34/25	25	34,0	18,0	54	72	26,2	52,4	38	18	10,5	M10x35	3/8-16 UNC x 1-1/2	
250	315	25	1	BFX-303-ES-30,3/25	25	30,3	18,0	54	72	26,2	52,4	38	18	10,5	M10x35	3/8-16 UNC x 1-1/2	
200	250	32	1-1/4	BFX-304-ES-42,8/32	32	42,8	21,0	68	82	30,2	58,7	41	20	11,7 (12,5)	M10x40 (M12x40)	7/16-14 UNC x 1-1/2	
200	250	32	1-1/4	BFX-304-ES-38,3/32	32	38,3	21,0	68	82	30,2	58,7	41	20	11,7 (12,5)	M10x40 (M12x40)	7/16-14 UNC x 1-1/2	
200	200	38	1-1/2	BFX-305-ES-48,6/38	38	48,6	25,0	79	96	35,7	69,9	44	22	13,5 (14,5)	M12x45 (M14x45)	1/2-13 UNC x 1-3/4	
200	200	38	1-1/2	BFX-305-ES-50,5/38	38	50,5	25,0	79	96	35,7	69,9	44	22	13,5 (14,5)	M12x45 (M14x45)	1/2-13 UNC x 1-3/4	
160	200	51	2	BFX-306-ES-61/51	51	61,0	25,5	88	102	42,9	77,8	45	24	13,5 (14,5)	M12x45 (M14x45)	1/2-13 UNC x 1-3/4	
100	160	64	2-1/2	BFX-307-ES-76,6/63	63	76,6	26,0	101	115	50,8	88,9	50	28	13,5 (14,5)	M12x45 (M14x45)	1/2-13 UNC x 1-3/4	
100	100	76	3	BFX-308-ES-90,5/73	73	90,5	27,5	127	137	61,9	106,4	50	28	17,0	M16x50	5/8-11 UNC x 2	
35	35	89	3-1/2	BFX-309-ES-103/89	89	103,0	27,5	138	155	69,9	120,7	50	30	17,0	M16x50	5/8-11 UNC x 2	
35	35	102	4	BFX-310-ES-115,5/99	99	115,5	27,5	147	163	77,8	130,2	50	30	17,0	M16x50	5/8-11 UNC x 2	
35	35	127	5	BFX-311-ES-142/120	120	142,0	28,0	180	184	92,1	152,4	50	30	17,0	M16x55	5/8-11 UNC x 2-1/4	

6000 PSI High Pressure Series (according to ISO 6162-2)

PN (bar) ¹		Nominal Size		Order Codes	Dimensions (mm)											for Bolts	
8.8 Bolts	10.9 (MH) Bolts	DN	(in)		Ø A	Ø B	D	F	G	H	I	L	M	Ø K ³	Metr.	UNC	
350	400	13	1/2	BFX-601-ES-21,6/13	13	21,6	16,5	47	57	18,2	40,5	36	18	8,7	M8x30	5/16-18 UNC x 1-1/4	
350	400	13	1/2	BFX-601-ES-17,5/13	13	17,5	16,5	47	57	18,2	40,5	36	18	8,7	M8x30	5/16-18 UNC x 1-1/4	
350	400	13	1/2	BFX-601-ES-20,3/13	13	20,3	16,5	47	57	18,2	40,5	36	18	8,7	M8x30	5/16-18 UNC x 1-1/4	
350	400	19	3/4	BFX-602-ES-27,2/19	19	27,2	19,5	54	72	23,8	50,8	36	20	10,5	M10x35	3/8-16 UNC x 1-1/2	
350	400	19	3/4	BFX-602-ES-25,3/19	19	25,3	19,5	54	72	23,8	50,8	36	20	10,5	M10x35	3/8-16 UNC x 1-1/2	
350	400	25	1	BFX-603-ES-34/25	25	34,0	24,5	68	82	27,8	57,2	44	22	13,0	M12x45	7/16-14 UNC x 1-3/4	
350	400	25	1	BFX-603-ES-30,3/25	25	30,3	24,5	68	82	27,8	57,2	44	22	13,0	M12x45	7/16-14 UNC x 1-3/4	
350	400	32	1-1/4	BFX-604-ES-42,8/32	32	42,8	27,5	79	95	31,8	66,6	44	22	13,5	M12x45	1/2-13 UNC x 1-3/4	
350	400	32	1-1/4	BFX-604-ES-42,8/32-M14	32	42,8	27,5	79	95	31,8	66,6	44	22	15,0	M14x45		
350	400	32	1-1/4	BFX-604-ES-38,3/32	32	38,3	27,5	79	95	31,8	66,6	44	22	13,5	M12x45	1/2-13 UNC x 1-3/4	
350	400	32	1-1/4	BFX-604-ES-38,3/32-M14	32	38,3	27,5	79	95	31,8	66,6	44	22	15,0	M14x45		
350	400	38	1-1/2	BFX-605-ES-48,6/38	38	48,6	31,0	88	108	36,5	79,3	51	24	17,0	M16x55	5/8-11 UNC x 2-1/4	
350	400	38	1-1/2	BFX-605-ES-50,5/38	38	50,5	31,0	88	108	36,5	79,3	51	24	17,0	M16x55	5/8-11 UNC x 2-1/4	
350	400	51	2	BFX-606-ES-61/51	51	61,0	37,0	118	137	44,5	96,8	70	33	21,0	M20x70	3/4-10 UNC x 2-3/4	
350	400	64	2-1/2	BFX-607-ES-76,6/63	63	76,6	45,0	152	180	58,7	123,8	80	32	26,0	M24x90		
350	400	76	3	BFX-608-ES-90,5/73	73	90,5	55,0	178	208	71,4	152,4	90	30	33,0	M30x100		

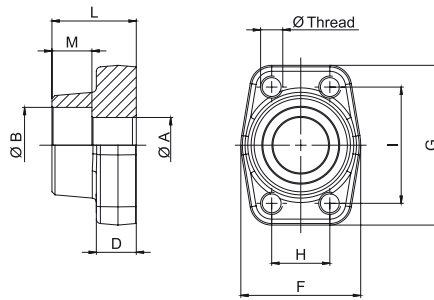
¹ The maximum working pressure applies only to the flange itself and depends on the bolts used (Grade 8.8 / 10.9). The actual maximum working pressure depends on the thickness and the quality of the tube used.

² For UNC threaded bolts, use hexagon head bolts only. Please note that these do not belong to our product range.

³ Alternative options shown in brackets are available on request.

**SAE Single-Part Socket Weld Counterflange
BAS-ES**
Order Codes

- * SAE Single-Part Butt Weld Counterflange **BAS-...-ES-*/****
- * For UNC bolts **BAS-...-ESU-*/****
- * For deviant Metric bolts (M14) **BAS-...-ESM14-*/****



Material S355J0 or equivalent
Surface blank, oiled
Special Material Stainless Steel 1.4404 "W5" on request

3000 PSI Standard Pressure Series (according to ISO 6162-1)

PN (bar) ¹		Nominal Size		Order Codes	Dimensions (mm)										Ø Thread	
8.8 Bolts	10.9 (MH) Bolts	DN	(in)		Ø A	Ø B	D	F	G	H	I	L	M	Metr. ³	UNC	
350	350	13	1/2	BAS-301-ES-21,6/13	13	21,6	16,0	47	57	17,5	38,1	36	18	M8	5/16-18 UNC	
350	350	13	1/2	BAS-301-ES-17,5/13	13	17,5	16,0	47	57	17,5	38,1	36	18	M8	5/16-18 UNC	
350	350	13	1/2	BAS-301-ES-20,3/13	13	20,3	16,0	47	57	17,5	38,1	36	18	M8	5/16-18 UNC	
350	350	19	3/4	BAS-302-ES-27,2/19	19	27,2	18,0	50	67	22,3	47,6	36	18	M10	3/8-16 UNC	
350	350	19	3/4	BAS-302-ES-25,3/19	19	25,3	18,0	50	67	22,3	47,6	36	18	M10	3/8-16 UNC	
250	315	25	1	BAS-303-ES-34/25	25	34,0	18,0	54	72	26,2	52,4	38	18	M10	3/8-16 UNC	
250	315	25	1	BAS-303-ES-30,3/25	25	30,3	18,0	54	72	26,2	52,4	38	18	M10	3/8-16 UNC	
200	250	32	1-1/4	BAS-304-ES-42,8/32	32	42,8	21,0	68	82	30,2	58,7	41	20	M10 (M12)	7/16-14 UNC	
200	250	32	1-1/4	BAS-304-ES-38,3/32	32	38,3	21,0	68	82	30,2	58,7	41	20	M10 (M12)	7/16-14 UNC	
200	200	38	1-1/2	BAS-305-ES-48,6/38	38	48,6	25,0	79	96	35,7	69,9	44	22	M12 (M14)	1/2-13 UNC	
200	200	38	1-1/2	BAS-305-ES-50,5/38	38	50,5	25,0	79	96	35,7	69,9	44	22	M12 (M14)	1/2-13 UNC	
160	200	51	2	BAS-306-ES-61/51	51	61,0	25,5	88	102	42,9	77,8	45	24	M12 (M14)	1/2-13 UNC	
100	160	64	2-1/2	BAS-307-ES-76,6/63	63	76,6	26,0	101	115	50,8	88,9	50	28	M12 (M14)	1/2-13 UNC	
100	100	76	3	BAS-308-ES-90,5/73	73	90,5	27,5	127	137	61,9	106,4	50	28	M16	5/8-11 UNC	
35	35	89	3-1/2	BAS-309-ES-103/89	89	103,0	27,5	138	155	69,9	120,7	50	30	M16	5/8-11 UNC	
35	35	102	4	BAS-310-ES-115,5/99	99	115,5	27,5	147	163	77,8	130,2	50	30	M16	5/8-11 UNC	
35	35	127	5	BAS-311-ES-142/120	120	142,0	28,0	180	184	92,1	152,4	50	30	M16	5/8-11 UNC	

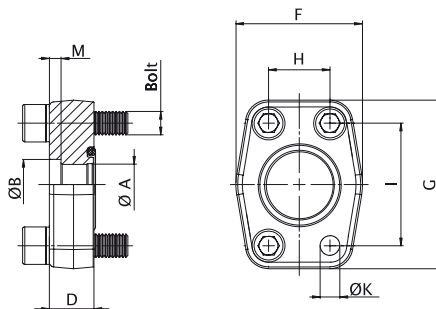
6000 PSI High Pressure Series (according to ISO 6162-2)

PN (bar) ¹		Nominal Size		Order Codes	Dimensions (mm)										Ø Thread	
8.8 Bolts	10.9 (MH) Bolts	DN	(in)		Ø A	Ø B	D	F	G	H	I	L	M	Metr.	UNC	
350	400	13	1/2	BAS-601-ES-21,6/13	13	21,6	16,5	47	57	18,2	40,5	36	18	M8	5/16-18 UNC	
350	400	13	1/2	BAS-601-ES-17,5/13	13	17,5	16,5	47	57	18,2	40,5	36	18	M8	5/16-18 UNC	
350	400	13	1/2	BAS-601-ES-20,3/13	13	20,3	16,5	47	57	18,2	40,5	36	18	M8	5/16-18 UNC	
350	400	19	3/4	BAS-602-ES-27,2/19	19	27,2	19,5	54	72	23,8	50,8	36	20	M10	3/8-16 UNC	
350	400	19	3/4	BAS-602-ES-25,3/19	19	25,3	19,5	54	72	23,8	50,8	36	20	M10	3/8-16 UNC	
350	400	25	1	BAS-603-ES-34/25	25	34,0	24,5	68	82	27,8	57,2	44	22	M12	7/16-14 UNC	
350	400	25	1	BAS-603-ES-30,3/25	25	30,3	24,5	68	82	27,8	57,2	44	22	M12	7/16-14 UNC	
350	400	32	1-1/4	BAS-604-ES-42,8/32	32	42,8	27,5	79	95	31,8	66,6	44	22	M12	1/2-13 UNC	
350	400	32	1-1/4	BAS-604-ESM14-42,8/32	32	42,8	27,5	79	95	31,8	66,6	44	22	M14		
350	400	32	1-1/4	BAS-604-ES-38,3/32	32	38,3	27,5	79	95	31,8	66,6	44	22	M12	1/2-13 UNC	
350	400	32	1-1/4	BAS-604-ESM14-38,3/32	32	38,3	27,5	79	95	31,8	66,6	44	22	M14		
350	400	38	1-1/2	BAS-605-ES-48,6/38	38	48,6	31,0	88	108	36,5	79,3	51	24	M16	5/8-11 UNC	
350	400	38	1-1/2	BAS-605-ES-50,5/38	38	50,5	31,0	88	108	36,5	79,3	51	24	M16	5/8-11 UNC	
350	400	51	2	BAS-606-ES-61/51	51	61,0	37,0	118	137	44,5	96,8	70	33	M20	3/4-10 UNC	
350	400	64	2-1/2	BAS-607-ES-76,6/63	63	76,6	45,0	152	180	58,7	123,8	80	32	M24		
350	400	76	3	BAS-608-ES-90,5/73	73	90,5	55,0	178	208	71,4	152,4	90	30	M30		

¹ The maximum working pressure applies only to the flange itself and depends on the bolts used (Grade 8.8 / 10.9). The actual maximum working pressure depends on the thickness and the quality of the tube used.

³ Alternative options shown in brackets are available on request.

SAE Single-Part Socket Weld Flange (Flat Style) BFX-FL-ES



Order Codes

★ SAE Single-Part Socket Weld **BFX-FL-...-ES-**-****
Flange (Flat Style) (without O-ring)

★ Including Metric bolts 8.8, **BFX-FL-...-ES-**-**#K**
spring rings, O-ring made of NBR (Buna-N®)
(packed in kits)

Material S355J0 or equivalent
Surface blank, oiled
Special Material Stainless Steel 1.4404 "-W5" on request

3000 PSI Standard Pressure Series (according to ISO 6162-1)

PN (bar) ¹		Nominal Size		Order Codes	Dimensions (mm)									for Bolts
8.8 Bolts	10.9 (MH) Bolts	DN	(in)		Ø A	Ø B	D	F	G	H	I	M	Ø K	Metr.
40	40	13	1/2	BFX-FL-301-ES-22,5/15	15	22,5	10	47	57	17,5	38,1	3	8,7	M8x25
40	40	19	3/4	BFX-FL-302-ES-28,5/20	20	28,5	12	50	67	22,3	47,6	4	10,5	M10x30
40	40	25	1	BFX-FL-303-ES-35,5/29	29	35,5	12	54	72	26,2	52,4	4	10,5	M10x30
40	40	32	1-1/4	BFX-FL-304-ES-42,5/34	34	42,5	12	68	82	30,2	58,7	4	11,7	M10x30
40	40	38	1-1/2	BFX-FL-305-ES-49/42	42	49,0	15	79	96	35,7	69,9	4	13,5	M12x35
40	40	51	2	BFX-FL-306-ES-61/53	53	61,0	15	88	102	42,9	77,8	4	13,5	M12x35
40	40	64	2-1/2	BFX-FL-307-ES-77/64	64	77,0	15	101	115	50,8	88,9	4	13,5	M12x35
40	40	76	3	BFX-FL-308-ES-90/80	80	90,0	20	127	137	61,9	106,4	5	17,0	M16x50
35	35	89	3-1/2	BFX-FL-309-ES-103/93	93	103,0	20	138	155	69,9	120,7	5	17,0	M16x50
35	35	102	4	BFX-FL-310-ES-116/105	105	116,0	25	147	163	77,8	130,2	6	17,0	M16x50
35	35	125	5	BFX-FL-311-ES-141/126	126	141,0	28	170	190	92,1	152,4	8	17,0	M16x50

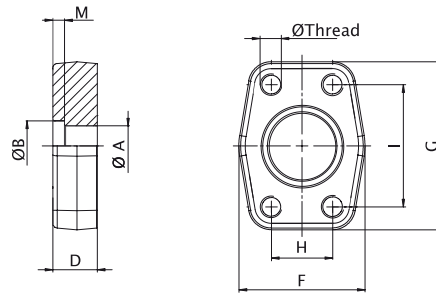
¹ The maximum working pressure applies only to the flange itself. The actual maximum working pressure depends on the thickness and the quality of the tube used.

SAE Single-Part Socket Weld Counterflange (Flat Style) BAS-FL-ES

Order Codes

* SAE Single-Part Butt Weld Counterflange (Flat Style)

BAS-FL-...-ES--**/****

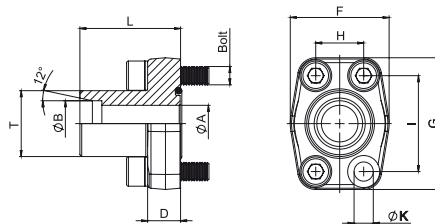
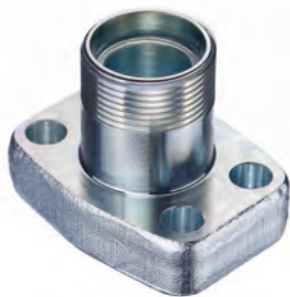


Material S355J0 or equivalent
Surface blank, oiled
Special Material Stainless Steel 1.4404 "W5" on request

3000 PSI Standard Pressure Series (according to ISO 6162-1)

PN (bar) ¹		Nominal Size		Order Codes	Dimensions (mm)									Ø Thread
8.8 Bolts	10.9 (MH) Bolts	DN	(in)		Ø A	Ø B	D	F	G	H	I	M	Metr.	
40	40	13	1/2	BAS-FL-301-ES-22,5/15	15	22,5	10	47	57	17,5	38,1	3	M8	
40	40	19	3/4	BAS-FL-302-ES-28,5/20	20	28,5	12	50	67	22,3	47,6	4	M10	
40	40	25	1	BAS-FL-303-ES-35,5/29	29	35,5	12	54	72	26,2	52,4	4	M10	
40	40	32	1-1/4	BAS-FL-304-ES-42,5/34	34	42,5	12	68	82	30,2	58,7	4	M10	
40	40	38	1-1/2	BAS-FL-305-ES-49/42	42	49,0	15	79	96	35,7	69,9	4	M12	
40	40	51	2	BAS-FL-306-ES-61/53	53	61,0	15	88	102	42,9	77,8	4	M12	
40	40	64	2-1/2	BAS-FL-307-ES-77/64	64	77,0	15	101	115	50,8	88,9	4	M12	
40	40	76	3	BAS-FL-308-ES-90/80	80	90,0	20	127	137	61,9	106,4	5	M16	
35	35	89	3-1/2	BAS-FL-309-ES-103/93	93	103,0	20	138	155	69,9	120,7	5	M16	
35	35	102	4	BAS-FL-310-ES-116/105	105	116,0	25	147	163	77,8	130,2	6	M16	
35	35	125	5	BAS-FL-311-ES-141/126	126	141,0	28	170	190	92,1	152,4	8	M16	

¹ The maximum working pressure applies only to the flange itself. The actual maximum working pressure depends on the thickness and the quality of the tube used.

SAE Single-Part Fitting Flange with 24° Cone Connector (acc. to ISO 8434-1 / DIN 2353)
BFX-L/S

Order Codes

- ★ SAE Single-Part Fitting Flange (without O-ring) **BFX-...-L**/-S****
- ★ Including Metric bolts 8.8, spring rings, O-ring made of NBR (Buna-N®) (packed in kits) **BFX-...-L**#K**
- ★ Including Metric bolts 10.9, spring rings, O-ring made of NBR (Buna-N®) (packed in kits) **BFX-...-L**-MH#K**

Material S355J0 / C45 or equivalent
Surface CrVI-free
Special Material Stainless Steel 1.4404 " -W5" on request

3000 PSI Standard Pressure Series (according to ISO 6162-1)

PN (bar) ¹		Nominal Size		Order Codes	Dimensions (mm)										for Bolts
8.8 Bolts	10.9 (MH) Bolts	DN	(in)		Ø A	Ø B	D	F	G	H	I	L	T (Metric)	Ø K ³	Metr. ³
350	350	13	1/2	BFX-301-L15	11	15 L	16	43	57	17,5	38,1	47	22x1,5	8,7	M8x30
350	350	19	3/4	BFX-302-S20	16	20 S	18	50	67	22,3	47,6	52	30x2,0	10,5	M10x35
350	350	19	3/4	BFX-302-L22	19	22 L	18	50	67	22,3	47,6	52	30x2,0	10,5	M10x35
250	315	25	1	BFX-303-S20	16	20 S	18	54	72	26,2	52,4	55	30x2,0	10,5	M10x35
250	315	25	1	BFX-303-S25	20	25 S	18	54	72	26,2	52,4	55	36x2,0	10,5	M10x35
250	315	25	1	BFX-303-L28	23	28 L	18	54	72	26,2	52,4	55	36x2,0	10,5	M10x35
200	250	32	1-1/4	BFX-304-S25	20	25 S	21	68	82	30,2	58,7	60	36x2,0	11,7 (12,5)	M10x40 (M12x40)
200	250	32	1-1/4	BFX-304-S30	25	30 S	21	68	82	30,2	58,7	60	42x2,0	11,7 (12,5)	M10x40 (M12x40)
200	250	32	1-1/4	BFX-304-L35	30	35 L	21	68	82	30,2	58,7	60	45x2,0	11,7 (12,5)	M10x40 (M12x40)
200	200	38	1-1/2	BFX-305-S38	32	38 S	25	74	96	35,7	69,9	70	52x2,0	13,5 (14,5)	M12x45 (M14x45)
200	200	38	1-1/2	BFX-305-L42	36	42 L	25	74	96	35,7	69,9	70	52x2,0	13,5 (14,5)	M12x45 (M14x45)

6000 PSI High Pressure Series (according to ISO 6162-2)

PN (bar) ¹		Nominal Size		Order Codes	Dimensions (mm)										for Bolts
8.8 Bolts	10.9 (MH) Bolts	DN	(in)		Ø A	Ø B	D	F	G	H	I	L	T (Metric)	Ø K	Metr.
350	400	13	1/2	BFX-601-S16	12	16 S	16	43	57	18,2	40,5	47	24x1,5	8,7	M8x30
350	400	19	3/4	BFX-602-S16	12	16 S	18	54	72	23,8	50,8	54	24x1,5	10,5	M10x35
350	400	19	3/4	BFX-602-S20	16	20 S	18	54	72	23,8	50,8	54	30x2,0	10,5	M10x35
350	400	19	3/4	BFX-602-S25	18	25 S	18	54	72	23,8	50,8	54	36x2,0	10,5	M10x35
350	400	25	1	BFX-603-S20	16	20 S	21	68	82	27,8	57,2	60	30x2,0	13	M12x40
350	400	25	1	BFX-603-S30	25	30 S	21	68	82	27,8	57,2	60	42x2,0	13	M12x40
350	400	32	1-1/4	BFX-604-S30	25	30 S	24	75	95	31,8	66,6	68	42x2,0	13,5	M12x45
350	400	32	1-1/4	BFX-604-S30-M14	25	30 S	24	75	95	31,8	66,6	68	42x2,0	15	M14x45
350	400	32	1-1/4	BFX-604-S38	29	38 S	27	75	95	31,8	66,6	92	52x2,0	13,5	M12x45
350	400	32	1-1/4	BFX-604-S38-M14	29	38 S	27	75	95	31,8	66,6	92	52x2,0	15	M14x45
350	400	38	1-1/2	BFX-605-S38	32	38 S	27	84	108	36,5	79,3	72	52x2,0	17	M16x50

¹ The maximum working pressure applies only to the flange itself and depends on the bolts used (Grade 8.8 / 10.9). The actual maximum working pressure depends on the thickness and the quality of the tube used.

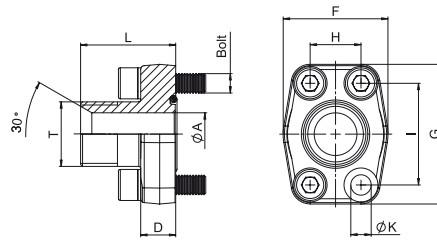
³ Alternative options shown in brackets are available on request.

SAE Single-Part Fitting Flange with BSP 60° Cone Connector (acc. to BS 5200)

BFX-B

Order Codes

- ★ SAE Single-Part Fitting Flange (without O-ring) **BFX-...-B**
- ★ Deviant 60° cone connector **BFX-...-B****
- ★ Including Metric bolts 8.8, spring rings, O-ring made of NBR (Buna-N®) (packed in kits) **BFX-...-B#K**
- ★ Including Metric bolts 10.9, spring rings, O-ring made of NBR (Buna-N®) (packed in kits) **BFX-...-B-MH#K**



Material S355J0 / C45 or equivalent
Surface CrVI-free
Special Material Stainless Steel 1.4404 "W5" on request

3000 PSI Standard Pressure Series (according to ISO 6162-1)

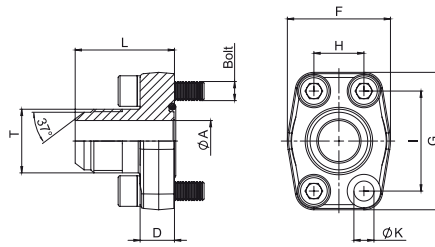
PN (bar) ¹		Nominal Size		Order Codes	Dimensions (mm)									for Bolts
8.8 Bolts	10.9 (MH) Bolts	DN	(in)		Ø A	D	F	G	H	I	L	T (BSPP)	Ø K ³	Metr. ³
350	350	13	1/2	BFX-301-B038	10	16	43	57	17,5	38,0	37	3/8	8,7	M8x30
350	350	13	1/2	BFX-301-B	12	16	43	57	17,5	38,0	39	1/2	8,7	M8x30
350	350	13	1/2	BFX-301-B034	13	16	43	57	17,5	38,0	42	3/4	8,7	M8x30
350	350	19	3/4	BFX-302-B012	12	18	50	67	22,3	47,6	42	1/2	10,5	M10x35
350	350	19	3/4	BFX-302-B	17	18	50	67	22,3	47,6	45	3/4	10,5	M10x35
350	350	19	3/4	BFX-302-B100	19	18	50	67	22,3	47,6	47	1	10,5	M10x35
250	315	25	1	BFX-303-B034	17	18	54	72	26,2	52,4	47	3/4	10,5	M10x35
250	315	25	1	BFX-303-B	22	18	54	72	26,2	52,4	49	1	10,5	M10x35
250	315	25	1	BFX-303-B114	25	18	54	72	26,2	52,4	49	1-1/4	10,5	M10x35
200	250	32	1-1/4	BFX-304-B100	22	21	68	82	30,2	58,7	53	1	11,7 (12,5)	M10x40 (M12x40)
200	250	32	1-1/4	BFX-304-B	27	21	68	82	30,2	58,7	55	1-1/4	11,7 (12,5)	M10x40 (M12x40)
200	250	32	1-1/4	BFX-304-B112	31	21	68	82	30,2	58,7	55	1-1/2	11,7 (12,5)	M10x40 (M12x40)
200	200	38	1-1/2	BFX-305-B114	27	24	74	96	35,7	69,9	59	1-1/4	13,5 (14,5)	M12x45 (M14x45)
200	200	38	1-1/2	BFX-305-B	34	24	74	96	35,7	69,9	61	1-1/2	13,5 (14,5)	M12x45 (M14x45)
200	200	38	1-1/2	BFX-305-B200	38	24	74	96	35,7	69,9	63	2	13,5 (14,5)	M12x45 (M14x45)
160	200	51	2	BFX-306-B112	34	25	88	102	42,9	77,8	69	1-1/2	13,5 (14,5)	M12x45 (M14x45)
160	200	51	2	BFX-306-B	42	25	88	102	42,9	77,8	69	2	13,5 (14,5)	M12x45 (M14x45)

6000 PSI High Pressure Series (according to ISO 6162-2)

PN (bar) ¹		Nominal Size		Order Codes	Dimensions (mm)									for Bolts
8.8 Bolts	10.9 (MH) Bolts	DN	(in)		Ø A	D	F	G	H	I	L	T (BSPP)	Ø K	Metr.
350	400	13	1/2	BFX-601-B038	10	16	43	57	18,2	40,5	38	3/8	8,7	M8x30
350	400	13	1/2	BFX-601-B	12	16	43	57	18,2	40,5	40	1/2	8,7	M8x30
350	400	13	1/2	BFX-601-B034	13	16	43	57	18,2	40,5	43	3/4	8,7	M8x30
350	400	19	3/4	BFX-602-B012	12	18	54	72	23,8	50,8	44	1/2	10,5	M10x35
350	400	19	3/4	BFX-602-B	17	18	54	72	23,8	50,8	47	3/4	10,5	M10x35
350	400	19	3/4	BFX-602-B100	19	18	54	72	23,8	50,8	49	1	10,5	M10x35
350	400	25	1	BFX-603-B034	17	21	68	82	27,8	57,2	54	3/4	13	M12x40
350	400	25	1	BFX-603-B	22	21	68	82	27,8	57,2	56	1	13	M12x40
350	400	25	1	BFX-603-B114	25	21	68	82	27,8	57,2	56	1-1/4	13	M12x40
350	400	32	1-1/4	BFX-604-B100	22	24	75	95	31,8	66,6	61	1	13,5	M12x45
350	400	32	1-1/4	BFX-604-B100-M14	22	24	75	95	31,8	66,6	61	1	15	M14x45
350	400	32	1-1/4	BFX-604-B	27	24	75	95	31,8	66,6	61	1-1/4	13,5	M12x45
350	400	32	1-1/4	BFX-604-B-M14	27	24	75	95	31,8	66,6	61	1-1/4	15	M14x45
350	400	32	1-1/4	BFX-604-B112	31	24	75	95	31,8	66,6	63	1-1/2	13,5	M12x45
350	400	32	1-1/4	BFX-604-B112-M14	31	24	75	95	31,8	66,6	63	1-1/2	15	M14x45
350	400	38	1-1/2	BFX-605-B114	27	27	84	108	36,5	79,3	65	1-1/4	17	M16x50
350	400	38	1-1/2	BFX-605-B	32	27	84	108	36,5	79,3	67	1-1/2	17	M16x50

¹ The maximum working pressure applies only to the flange itself and depends on the bolts used (Grade 8.8 / 10.9). The actual maximum working pressure depends on the thickness and the quality of the tube used.

³ Alternative options shown in brackets are available on request.

SAE Single-Part Fitting Flange with JIC 37° Cone Connector (acc.to ISO 8434-2 / SAE J514)
BFX-J

Order Codes

- * SAE Single-Part Fitting Flange (without O-ring) **BFX-...-J****
- * Including Metric bolts 8.8, spring rings, O-ring made of NBR (Buna-N®) (packed in kits) **BFX-...-J**#K**
- * Including Metric bolts 10.9, spring rings, O-ring made of NBR (Buna-N®) (packed in kits) **BFX-...-J**-MH#K**
- * Including UNC bolts (Gr10), spring rings, O-ring made of FPM (Viton®) (packed in kits) **BFX-...-J**-V-U#K**

Material S355J0 / C45 or equivalent
Surface CrVI-free
Special Material Stainless Steel 1.4404 " -W5" on request

3000 PSI Standard Pressure Series (according to ISO 6162-1)

PN (bar) ¹		Nominal Size		Order Codes	Dimensions (mm)										for Bolts	
8.8 Bolts	10.9 (MH) Bolts	DN	(in)		Ø A	D	F	G	H	i	L	T (UN/UNF)	Ø K ³	Metr. ³	UNC	
350	350	13	1/2	BFX-301-J3/4	9,9	16	43	57	17,5	38,1	41	3/4-16	8,7	M8x30	5/16-18 UNC x 1-1/4	
350	350	13	1/2	BFX-301-J7/8	12,3	16	43	57	17,5	38,1	41	7/8-14	8,7	M8x30	5/16-18 UNC x 1-1/4	
350	350	19	3/4	BFX-302-J11/16	15,5	18	50	67	22,3	47,6	49	1-1/16-12	10,5	M10x35	3/8-16 UNC x 1-1/2	
250	315	25	1	BFX-303-J15/16	21,5	18	54	72	26,2	52,4	52	1-5/16-12	10,5	M10x35	3/8-16 UNC x 1-1/2	
200	200	32	1-1/4	BFX-304-J15/16	21,5	21	68	82	30,2	58,7	56	1-5/16-12	11,7 (12,5)	M10x40 (M12x40)	7/16-14 UNC x 1-1/2	
200	200	32	1-1/4	BFX-304-J15/8	27,5	21	68	82	30,2	58,7	58	1-5/8-12	11,7 (12,5)	M10x40 (M12x40)	7/16-14 UNC x 1-1/2	
160	160	38	1-1/2	BFX-305-J17/8	33,0	24	74	96	35,7	69,9	67	1-7/8-12	13,5 (14,5)	M12x45 (M14x45)	7/16-14 UNC x 1-3/4	

6000 PSI High Pressure Series (according to ISO 6162-2)

PN (bar) ¹		Nominal Size		Order Codes	Dimensions (mm)										for Bolts	
8.8 Bolts	10.9 (MH) Bolts	DN	(in)		Ø A	D	F	G	H	i	L	T (UN/UNF)	Ø K	Metr.	UNC	
350	400	13	1/2	BFX-601-J3/4	9,9	16	43	57	18,2	40,5	42	3/4-16	8,7	M8x30	5/16-18 UNC x 1-1/4	
350	400	13	1/2	BFX-601-J7/8	12,3	16	43	57	18,2	40,5	45	7/8-14	8,7	M8x30	5/16-18 UNC x 1-1/4	
350	400	19	3/4	BFX-602-J11/16	15,5	18	54	72	23,8	50,8	51	1-1/16-12	10,5	M10x35	3/8-16 UNC x 1-1/2	
350	400	25	1	BFX-603-J15/16	21,5	21	68	82	27,8	57,2	59	1-5/16-12	13,0	M12x40	7/16-14 UNC x 1-3/4	
350	400	32	1-1/4	BFX-604-J15/16	21,5	24	75	95	31,6	66,6	64	1-5/16-12	13,5	M12x45	1/2-13 UNC x 1-3/4	
350	400	32	1-1/4	BFX-604-J15/16-M14	21,5	24	75	95	31,6	66,6	64	1-5/16-12	15,0	M14x45		
350	400	32	1-1/4	BFX-604-J15/8	27,5	24	75	95	31,6	66,6	66	1-5/8-12	13,5	M12x45	1/2-13 UNC x 1-3/4	
350	400	32	1-1/4	BFX-604-J15/8-M14	27,5	24	75	95	31,6	66,6	66	1-5/8-12	15,0	M14x45		
350	400	38	1-1/2	BFX-605-J17/8	33,0	27	84	108	36,5	79,3	73	1-7/8-12	17,0	M16x50	5/8-11 UNC x 2	

¹ The maximum working pressure applies only to the flange itself and depends on the bolts used (Grade 8.8 / 10.9). The actual maximum working pressure depends on the thickness and the quality of the tube used.

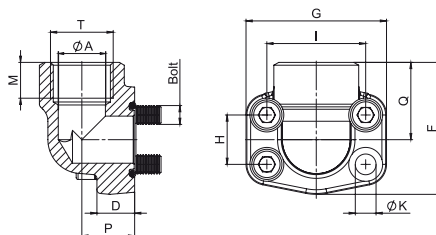
² For UNC threaded bolts, use hexagon head bolts only. Please note that these do not belong to our product range.

³ Alternative options shown in brackets are available on request.

SAE 90° Single-Part Screw-in BSPP Threaded Flange BFX90-G

Order Codes

- ★ SAE 90° Single-Part Screw-in BSPP Threaded Flange (without O-ring) **BFX90-...-G**
- ★ Deviant screw-in BSPP thread, including Metric bolts 8.8, spring rings, O-ring made of NBR (Buna-N®) (packed in kits) **BFX90-...-G **#K**
- ★ Including Metric bolts 8.8, spring rings, O-ring made of NBR (Buna-N®) (packed in kits) **BFX90-...-G-MH#K**
- ★ Including UNC bolts (Gr10), spring rings, O-ring made of FPM (Viton®) (packed in kits) **BFX90-...-G-V-U#K**



Material S355J0 or equivalent
Surface blank, oiled
Special Material Stainless Steel 1.4404 "W5" on request

3000 PSI Standard Pressure Series (according to ISO 6162-1)

PN (bar) ¹		Nominal Size		Order Codes	Dimensions (mm)													for Bolts	
8.8 Bolts	10.9 (MH) Bolts	DN	(in)		ØA	D	F	G	H	I	M	P	Q	T (BSPP)	Ø K ³	Metr. ³	UNC		
350	350	13	1/2	BFX90-301-G	13	16	60	54	17,5	38,1	19	20	37	1/2	8,7	M8x30	5/16-18 UNC x 1-1/4		
350	350	13	1/2	BFX90-301-G038	13	16	60	54	17,5	38,1	19	20	37	3/8	8,7	M8x30	5/16-18 UNC x 1-1/4		
350	350	19	3/4	BFX90-302-G	19	18	63	65	22,3	47,6	19	24	38	3/4	10,5	M10x35	3/8-16 UNC x 1-1/2		
250	315	25	1	BFX90-303-G	25	19	70	70	26,2	52,4	20	28	43	1	10,5	M10x35	3/8-16 UNC x 1-1/2		
200	250	32	1-1/4	BFX90-304-G	32	21	85	79	30,2	58,7	22	34	51	1-1/4	11,7 (12,5)	M10x40 (M12x40)	7/16-14 UNC x 1-1/2		
200	200	38	1-1/2	BFX90-305-G	38	25	95	93	35,7	69,9	25	38	56	1-1/2	13,5 (14,5)	M12x45 (M14x45)	1/2-13 UNC x 1-3/4		
160	200	51	2	BFX90-306-G	51	25	110	110	42,9	77,8	28	42	65	2	13,5 (14,5)	M12x45 (M14x45)	1/2-13 UNC x 1-3/4		

6000 PSI High Pressure Series (according to ISO 6162-2)

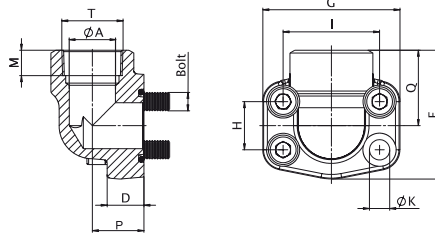
PN (bar) ¹		Nominal Size		Order Codes	Dimensions (mm)													for Bolts	
8.8 Bolts	10.9 (MH) Bolts	DN	(in)		ØA	D	F	G	H	I	M	P	Q	T (BSPP)	Ø K	Metr. ³	UNC		
350	400	13	1/2	BFX90-601-G	13	16	60	56	18,2	40,5	19	20	37	1/2	8,7	M8x30	5/16-18 UNC x 1-1/4		
350	400	13	1/2	BFX90-601-G038	13	16	60	56	18,2	40,5	19	20	37	3/8	8,7	M8x30	5/16-18 UNC x 1-1/4		
350	400	19	3/4	BFX90-602-G	19	19	70	70	23,8	50,8	20	28	43	3/4	10,5	M10x35	3/8-16 UNC x 1-1/2		
350	400	25	1	BFX90-603-G	25	21	85	79	27,8	57,2	22	34	51	1	13	M12x45	7/16-14 UNC x 1-3/4		
350	400	32	1-1/4	BFX90-604-G	32	25	95	93	31,6	66,6	25	38	56	1-1/4	13,5	M12x45	1/2-13 UNC x 1-3/4		
350	400	32	1-1/4	BFX90-604-G-M14	32	25	95	93	31,6	66,6	25	38	56	1-1/4	15	M14x45			
350	400	38	1-1/2	BFX90-605-G	38	25	110	110	36,5	79,3	28	42	65	1-1/2	17	M16x50	5/8-11 UNC x 2		
350	400	51	2	BFX90-606-G	51	35	132	134	44,5	96,8	33	45	75	2	21	M20x70	3/4-10 UNC x 2-3/4		

¹ The maximum working pressure applies only to the flange itself and depends on the bolts used (Grade 8.8 / 10.9). The actual maximum working pressure depends on the thickness and the quality of the tube used.

² For UNC threaded bolts, use hexagon head bolts only. Please note that these do not belong to our product range.

³ Alternative options shown in brackets are available on request.

SAE 90° Single-Part Screw-in NPT Threaded Flange BFX90-N



Order Codes

- ★ SAE 90° Single-Part Screw-in NPT Threaded Flange (without O-ring) **BFX90-...-N**
- ★ Deviant screw-in NPT thread, including Metric bolts 8.8, spring rings, O-ring made of NBR (Buna-N®) (packed in kits) **BFX90-...-N-**#K**
- ★ Including Metric bolts 10.9, spring rings, O-ring made of NBR (Buna-N®) (packed in kits) **BFX90-...-N-MH#K**
- ★ Including UNC bolts (Gr10), spring rings, O-ring made of FPM (Viton®) (packed in kits) **BFX90-...-N-V-U#K**

Material S355J0 or equivalent
Surface blank, oiled
Special Material Stainless Steel 1.4404 "-W5" on request

3000 PSI Standard Pressure Series (according to ISO 6162-1)

PN (bar) ¹		Nominal Size		Order Codes	Dimensions (mm)													for Bolts	
8.8 Bolts	10.9 (MH) Bolts	DN	(in)		ØA	D	F	G	H	I	M	P	Q	T (NPT)	Ø K ³	Metr. ³	UNC		
350	350	13	1/2	BFX90-301-N	13	16	60	54	17,5	38,1	19	20	37	1/2	8,7	M8x30	5/16-18 UNC x 1-1/4		
350	350	13	1/2	BFX90-301-N038	13	16	60	54	17,5	38,1	19	20	37	3/8	8,7	M8x30	5/16-18 UNC x 1-1/4		
350	350	19	3/4	BFX90-302-N	19	18	63	65	22,3	47,6	19	24	38	3/4	10,5	M10x35	3/8-16 UNC x 1-1/2		
250	315	25	1	BFX90-303-N	25	19	70	70	26,2	52,4	20	28	43	1	10,5	M10x35	3/8-16 UNC x 1-1/2		
200	250	32	1-1/4	BFX90-304-N	32	21	85	79	30,2	58,7	22	34	51	1-1/4	11,7 (12,5)	M10x40 (M12x40)	7/16-14 UNC x 1-1/2		
200	200	38	1-1/2	BFX90-305-N	38	25	95	93	35,7	69,9	25	38	56	1-1/2	13,5 (14,5)	M12x45 (M14x45)	1/2-13 UNC x 1-3/4		
160	200	51	2	BFX90-306-N	51	25	110	110	42,9	77,8	28	42	65	2	13,5 (14,5)	M12x45 (M14x45)	1/2-13 UNC x 1-3/4		

6000 PSI High Pressure Series (according to ISO 6162-2)

PN (bar) ¹		Nominal Size		Order Codes	Dimensions (mm)													for Bolts	
8.8 Bolts	10.9 (MH) Bolts	DN	(in)		ØA	D	F	G	H	I	M	P	Q	T (NPT)	Ø K	Metr.	UNC		
350	400	13	1/2	BFX90-601-N	13	16	60	56	18,2	40,5	19	20	37	1/2	8,7	M8x30	5/16-18 UNC x 1-1/4		
350	400	13	1/2	BFX90-601-N038	13	16	60	56	18,2	40,5	19	20	37	3/8	8,7	M8x30	5/16-18 UNC x 1-1/4		
350	400	19	3/4	BFX90-602-N	19	19	70	70	23,8	50,8	20	28	43	3/4	10,5	M10x35	3/8-16 UNC x 1-1/2		
350	400	25	1	BFX90-603-N	25	21	85	79	27,8	57,2	22	34	51	1	13	M12x45	7/16-14 UNC x 1-3/4		
350	400	32	1-1/4	BFX90-604-N	32	25	95	93	31,6	66,6	25	38	56	1-1/4	13,5	M12x45	1/2-13 UNC x 1-3/4		
350	400	32	1-1/4	BFX90-604-N-M14	32	25	95	93	31,6	66,6	25	38	56	1-1/4	15	M14x45			
350	400	38	1-1/2	BFX90-605-N	38	25	110	110	36,5	79,3	28	42	65	1-1/2	17	M16x50	5/8-11 UNC x 2		
350	400	51	2	BFX90-606-N	51	35	132	134	44,5	96,8	33	45	75	2	21	M20x70	3/4-10 UNC x 2-3/4		

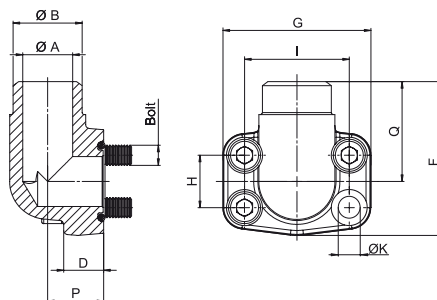
¹ The maximum working pressure applies only to the flange itself and depends on the bolts used (Grade 8.8 / 10.9). The actual maximum working pressure depends on the thickness and the quality of the tube used.

² For UNC threaded bolts, use hexagon head bolts only. Please note that these do not belong to our product range.

³ Alternative options shown in brackets are available on request.

**SAE 90° Single-Part Butt Weld Flange
BFX90-ST**
Order Codes

- ★ SAE 90° Single-Part Butt Weld Flange (without O-ring) **BFX90-...-ST-**-****
- ★ Including Metric bolts 8.8, spring rings, O-ring made of NBR (Buna-N®) (packed in kits) **BFX90-...-ST-**-**#K**
- ★ Including Metric bolts 10.9, spring rings, O-ring made of NBR (Buna-N®) (packed in kits) **BFX90-...-ST-**-**-MH#K**
- ★ Including UNC bolts (Gr10), spring rings, O-ring made of FPM (Viton®) (packed in kits) **BFX90-...-ST-**-**-V-U#K**



Material S355J0 or equivalent
Surface blank, oiled
Special Material Stainless Steel 1.4404 “-W5” on request

3000 PSI Standard Pressure Series (according to ISO 6162-1)

PN (bar) ¹		Nominal Size		Order Codes	Dimensions (mm)										for Bolts	
8.8 Bolts	10.9 (MH) Bolts	DN	(in)		ØA	ØB	D	F	G	H	I	P	Q	ØK	Metr.	UNC
350	350	13	1/2	BFX90-301-ST-21,5/13	13	21,5	16	60	54	17,5	38,1	20	37	9	M8x30	5/16-18 UNC x 1-1/4
350	350	19	3/4	BFX90-302-ST-27/19	19	27	16	63	65	22,3	47,6	24	38	11	M10x35	3/8-16 UNC x 1-1/2
350	350	25	1	BFX90-303-ST-34,5/23	23	34,5	19	70	70	26,2	52,4	28	43	11	M10x35	3/8-16 UNC x 1-1/2
250	315	32	1-1/4	BFX90-304-ST-43/31	31	43	21	85	79	30,2	58,7	34	51	11,5	M10x40	7/16-14 UNC x 1-1/2
200	250	38	1-1/2	BFX90-305-ST-50/35	35	50	25	95	93	35,7	69,8	38	56	13,5	M12x45	1/2-13 UNC x 1-3/4
200	200	51	2	BFX90-306-ST-65/48	48	65	25	110	110	42,9	77,8	42	65	13,5	M12x45	1/2-13 UNC x 1-3/4

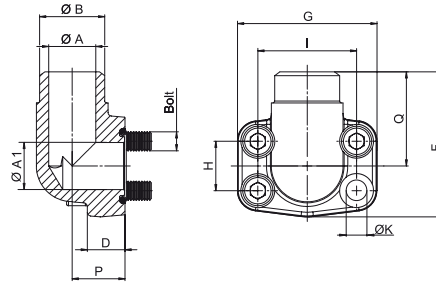
6000 PSI High Pressure Series (according to ISO 6162-2)

PN (bar) ¹		Nominal Size		Order Codes	Dimensions (mm)										for Bolts	
8.8 Bolts	10.9 (MH) Bolts	DN	(in)		ØA	ØB	D	F	G	H	I	P	Q	ØK	Metr.	UNC
350	400	13	1/2	BFX90-601-ST-21,5/13	13	21,5	16	60	54	18,2	40,5	20	37	9	M8x30	5/16-18 UNC x 1-1/4
350	400	19	3/4	BFX90-602-ST-28/19	19	28	19	70	70	23,8	50,8	28	43	11	M10x35	3/8-16 UNC x 1-1/2
350	400	25	1	BFX90-603-ST-34/25	25	34	21	85	79	27,8	57,2	34	51	13	M12x45	7/16-14 UNC x 1-3/4
350	400	32	1-1/4	BFX90-604-ST-42/32-M14	32	42	25	95	93	31,8	66,6	38	56	15	M14x45	
350	400	38	1-1/2	BFX90-605-ST-48/38	38	48	25	110	110	36,5	79,3	42	65	17	M16x55	5/8-11 UNC x 2

¹ The maximum working pressure applies only to the flange itself and depends on the bolts used (Grade 8.8 / 10.9). The actual maximum working pressure depends on the thickness and the quality of the tube used.

² For UNC threaded bolts, use hexagon head bolts only. Please note that these do not belong to our product range.

SAE 90° Single-Part Butt Weld Flange for Metric Tubes BFX90-SRE



Order Codes

- ★ SAE 90° Single-Part Butt Weld Flange (without O-ring) **BFX90-...-SRE-*/**/***
- ★ Including Metric bolts 8.8, **BFX90-...-SRE-*/**/*#K** spring rings, O-ring made of NBR (Buna-N®) (packed in kits)
- ★ Including Metric bolts 10.9, spring rings, O-ring made of NBR (Buna-N®) (packed in kits)
- ★ Including UNC bolts **BFX90-...-SRE-*/**/*-V-U#K** (Gr10), spring rings, O-ring made of FPM (Viton®) (packed in kits)

Material S355J0 or equivalent
Surface blank, oiled
Special Material Stainless Steel 1.4404 "-W5" on request

3000 PSI Standard Pressure Series (according to ISO 6162-1)

PN (bar) ¹		Nominal Size		Order Codes	Dimensions (mm)													for Bolts	
8.8 Bolts	10.9 (MH) Bolts	DN	(in)		Ø A	Ø A1	Ø B	D	F	G	H	I	P	Q	Ø K ³	Metr. ³	UNC		
350	350	13	1/2	BFX90-301-SRE-20/14	14	13	20	16	60	54	17,5	38,1	20	37	8,7	M8x30	5/16-18 UNC x 1-1/4		
350	350	13	1/2	BFX90-301-SRE-22/18	18	13	22	16	60	54	17,5	38,1	20	37	8,7	M8x30	5/16-18 UNC x 1-1/4		
350	350	13	1/2	BFX90-301-SRE-25/19	19	13	25	16	60	54	17,5	38,1	20	37	8,7	M8x30	5/16-18 UNC x 1-1/4		
350	350	19	3/4	BFX90-302-SRE-25/19	19	19	25	18	63	65	22,3	47,6	24	38	10,5	M10x35	3/8-16 UNC x 1-1/2		
350	350	19	3/4	BFX90-302-SRE-28/22	22	19	28	18	63	65	22,3	47,6	24	38	10,5	M10x35	3/8-16 UNC x 1-1/2		
350	350	19	3/4	BFX90-302-SRE-30/22	22	19	30	18	63	65	22,3	47,6	24	38	10,5	M10x35	3/8-16 UNC x 1-1/2		
350	350	19	3/4	BFX90-302-SRE-35/27	27	19	35	18	63	65	22,3	47,6	24	38	10,5	M10x35	3/8-16 UNC x 1-1/2		
250	315	25	1	BFX90-303-SRE-30/22	22	25	30	19	70	70	26,2	52,4	28	43	10,5	M10x35	3/8-16 UNC x 1-1/2		
250	315	25	1	BFX90-303-SRE-35/27	27	25	35	19	70	70	26,2	52,4	28	43	10,5	M10x35	3/8-16 UNC x 1-1/2		
250	315	25	1	BFX90-303-SRE-38/30	30	25	38	19	70	70	26,2	52,4	28	43	10,5	M10x35	3/8-16 UNC x 1-1/2		
250	315	25	1	BFX90-303-SRE-42/36	36	25	42	19	70	70	26,2	52,4	28	43	10,5	M10x35	3/8-16 UNC x 1-1/2		
200	250	32	1-1/4	BFX90-304-SRE-38/30	30	32	38	21	85	79	30,2	58,7	34	51	11,7 (12,5)	M10x40 (M12x40)	7/16-14 UNC x 1-1/2		
200	250	32	1-1/4	BFX90-304-SRE-42/36	36	32	42	21	85	79	30,2	58,7	34	51	11,7 (12,5)	M10x40 (M12x40)	7/16-14 UNC x 1-1/2		
200	250	32	1-1/4	BFX90-304-SRE-49/39	39	32	49	21	85	79	30,2	58,7	34	51	11,7 (12,5)	M10x40 (M12x40)	7/16-14 UNC x 1-1/2		
200	200	38	1-1/2	BFX90-305-SRE-38/30	30	38	38	25	95	93	35,7	69,9	38	56	13,5 (14,5)	M12x45 (M14x45)	1/2-13 UNC x 1-3/4		
200	200	38	1-1/2	BFX90-305-SRE-42/36	36	38	42	25	95	93	35,7	69,9	38	56	13,5 (14,5)	M12x45 (M14x45)	1/2-13 UNC x 1-3/4		
200	200	38	1-1/2	BFX90-305-SRE-49/39	39	38	49	25	95	93	35,7	69,9	38	56	13,5 (14,5)	M12x45 (M14x45)	1/2-13 UNC x 1-3/4		
160	200	51	2	BFX90-306-SRE-61/49	49	51	61	25	110	110	42,9	77,8	42	65	13,5 (14,5)	M12x45 (M14x45)	1/2-13 UNC x 1-3/4		

6000 PSI High Pressure Series (according to ISO 6162-2)

PN (bar) ¹		Nominal Size		Order Codes	Dimensions (mm)													for Bolts	
8.8 Bolts	10.9 (MH) Bolts	DN	(in)		Ø A	Ø A1	Ø B	D	F	G	H	I	P	Q	Ø K ³	Metr.	UNC		
350	400	13	1/2	BFX90-601-SRE-20/14	14	13	20	16	60	54	18,2	40,5	20	37	8,7	M8x30	5/16-18 UNC x 1-1/4		
350	400	13	1/2	BFX90-601-SRE-25/17	17	13	25	16	60	54	18,2	40,5	20	37	8,7	M8x30	5/16-18 UNC x 1-1/4		
350	400	19	3/4	BFX90-602-SRE-25/17	17	19	25	19	70	70	23,8	50,8	28	43	10,5	M10x35	3/8-16 UNC x 1-1/2		
350	400	19	3/4	BFX90-602-SRE-30/22	22	19	30	19	70	70	23,8	50,8	28	43	10,5	M10x35	3/8-16 UNC x 1-1/2		
350	400	25	1	BFX90-603-SRE-30/22	22	25	30	21	85	79	27,8	57,2	34	51	13,5	M12x45	7/16-14 UNC x 1-3/4		
350	400	25	1	BFX90-603-SRE-38/28	28	25	38	21	85	79	27,8	57,2	34	51	13,5	M12x45	7/16-14 UNC x 1-3/4		
350	400	32	1-1/4	BFX90-604-SRE-38/28	28	32	38	25	95	93	31,8	66,6	38	56	13,5	M12x45	1/2-13 UNC x 1-3/4		
350	400	32	1-1/4	BFX90-604-SRE-38/28-M14	28	32	38	25	95	93	31,8	66,6	38	56	15,0	M14x45			
350	400	32	1-1/4	BFX90-604-SRE-49/32	32	32	49	25	95	93	31,8	66,6	38	56	13,5	M12x45	1/2-13 UNC x 1-3/4		
350	400	32	1-1/4	BFX90-604-SRE-49/32-M14	32	32	49	25	95	93	31,8	66,6	38	56	15,0	M14x45			
350	400	38	1-1/2	BFX90-605-SRE-38/28	28	38	38	25	110	110	36,5	79,3	42	65	17,0	M16x50	5/8-11 UNC x 2		
350	400	38	1-1/2	BFX90-605-SRE-49/32	32	38	49	25	110	110	36,5	79,3	42	65	17,0	M16x50	5/8-11 UNC x 2		
350	400	38	1-1/2	BFX90-605-SRE-61/40	40	38	61	25	110	110	36,5	79,3	42	65	17,0	M16x50	5/8-11 UNC x 2		
350	400	51	2	BFX90-606-SRE-61/40	40	51	61	35	132	134	44,5	96,8	45	75	21,0	M20x70	3/4-10 UNC x 2-3/4		
350	400	51	2	BFX90-606-SRE-74/50	50	51	74	35	132	134	44,5	96,8	45	75	21,0	M20x70	3/4-10 UNC x 2-3/4		

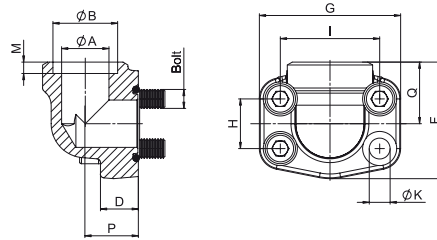
¹ The maximum working pressure applies only to the flange itself and depends on the bolts used (Grade 8.8 / 10.9). The actual maximum working pressure depends on the thickness and the quality of the tube used.

² For UNC threaded bolts, use hexagon head bolts only. Please note that these do not belong to our product range.

³ Alternative options shown in brackets are available on request.

**SAE 90° Single-Part Socket Weld Flange
BFX90-ES**
Order Codes

- ★ SAE 90° Single-Part Socket Weld Flange (without O-ring) **BFX90-...-ES-**-**/****
- ★ Including Metric bolts 8.8, spring rings, O-ring made of NBR (Buna-N®) (packed in kits) **BFX90-...-ES-**-**/**#K**
- ★ Including Metric bolts 10.9, spring rings, O-ring made of NBR (Buna-N®) (packed in kits) **BFX90-...-ES-**-**/**-MH#K**
- ★ Including UNC bolts (Gr10), spring rings, O-ring made of FPM (Viton®) (packed in kits) **BFX90-...-ES-**-**/**-U#K**



Material S355J0 or equivalent
Surface blank, oiled
Special Material Stainless Steel 1.4404 "W5" on request

3000 PSI Standard Pressure Series (according to ISO 6162-1)

PN (bar) ¹		Nominal Size		Order Codes	Dimensions (mm)											for Bolts	
8.8 Bolts	10.9 (MH) Bolts	DN	(in)		Ø A	Ø B	D	F	G	H	I	M	P	Q	Ø K ³	Metr. ³	UNC
350	350	13	1/2	BFX90-301-ES-21,6/13	13	21,6	16	60	54	17,5	38,1	10	20	37	8,7	M8x30	5/16-18 UNC x 1-1/4
350	350	13	1/2	BFX90-301-ES-17,5/13	13	17,5	16	60	54	17,5	38,1	10	20	37	8,7	M8x30	5/16-18 UNC x 1-1/4
350	350	19	3/4	BFX90-302-ES-27,2/19	19	27,2	18	63	65	22,3	47,6	10	24	38	10,5	M10x35	3/8-16 UNC x 1-1/2
250	315	25	1	BFX90-303-ES-34/25	25	34,0	19	70	70	26,2	52,4	12	28	43	10,5	M10x35	3/8-16 UNC x 1-1/2
200	250	32	1-1/4	BFX90-304-ES-42,8/32	32	42,8	21	85	79	30,2	58,7	14	34	51	11,7 (12,5)	M10x40 (M12x40)	7/16-14 UNC x 1-1/2
200	200	38	1-1/2	BFX90-305-ES-48,6/38	38	48,6	25	95	93	35,7	69,9	16	38	56	13,5 (14,5)	M12x45 (M14x45)	1/2-13 UNC x 1-3/4
160	200	51	2	BFX90-306-ES-61/51	51	61,0	25	110	110	42,9	77,8	18	42	65	13,5 (14,5)	M12x45 (M14x45)	1/2-13 UNC x 1-3/4

6000 PSI High Pressure Series (according to ISO 6162-2)

PN (bar) ¹		Nominal Size		Order Codes	Dimensions (mm)											for Bolts	
8.8 Bolts	10.9 (MH) Bolts	DN	(in)		Ø A	Ø B	D	F	G	H	I	M	P	Q	Ø K	Metr.	UNC
350	400	13	1/2	BFX90-601-ES-21,6/13	13	21,6	16	60	54	18,2	40,5	10	20	37	8,7	M8x30	5/16-18 UNC x 1-1/4
350	400	13	1/2	BFX90-601-ES-17,5/13	13	17,5	16	60	54	18,2	40,5	10	20	37	8,7	M8x30	5/16-18 UNC x 1-1/4
350	400	19	3/4	BFX90-602-ES-27,2/19	19	27,2	19	70	70	23,8	50,8	12	28	43	10,5	M10x35	3/8-16 UNC x 1-1/2
350	400	19	3/4	BFX90-602-ES-20,3/16	16/19	20,3	19	70	70	23,8	50,8	12	28	43	10,5	M10x35	3/8-16 UNC x 1-1/2
350	400	19	3/4	BFX90-602-ES-25,3/19	19	25,3	19	70	70	23,8	50,8	12	28	43	10,5	M10x35	3/8-16 UNC x 1-1/2
350	400	19	3/4	BFX90-602-ES-30,3/25	25/19	30,3	19	70	70	23,8	50,8	12	28	43	10,5	M10x35	3/8-16 UNC x 1-1/2
350	400	25	1	BFX90-603-ES-34/25	25	34,0	21	85	79	27,8	57,2	14	34	51	13,0	M12x45	7/16-14 UNC x 1-3/4
350	400	25	1	BFX90-603-ES-30,3/25	25	30,3	21	85	79	27,8	57,2	14	34	51	13,0	M12x45	7/16-14 UNC x 1-3/4
350	400	32	1-1/4	BFX90-604-ES-42,8/32	32	42,8	25	95	93	31,8	66,6	16	38	56	13,5	M12x45	1/2-13 UNC x 1-3/4
350	400	32	1-1/4	BFX90-604-ES-42,8/32-M14	32	42,8	25	95	93	31,8	66,6	16	38	56	15,0	M14x45	
350	400	32	1-1/4	BFX90-604-ES-30,3/22	22/32	30,3	25	95	93	31,8	66,6	16	38	56	13,5	M12x45	1/2-13 UNC x 1-3/4
350	400	32	1-1/4	BFX90-604-ES-30,3/22-M14	22/32	30,3	25	95	93	31,8	66,6	16	38	56	15,0	M14x45	
350	400	32	1-1/4	BFX90-604-ES-38,3/27	27/32	38,3	25	95	93	31,8	66,6	16	38	56	13,5	M12x45	1/2-13 UNC x 1-3/4
350	400	32	1-1/4	BFX90-604-ES-38,3/27-M14	27/32	38,3	25	95	93	31,8	66,6	16	38	56	15,0	M14x45	
350	400	38	1-1/2	BFX90-605-ES-48,6/38	38	48,6	25	110	110	36,5	79,3	18	42	65	17,0	M16x50	5/8-11 UNC x 2
350	400	51	2	BFX90-606-ES-61/51	51	61,0	35	132	134	36,5	79,3	28	45	75	21,0	M20x70	3/4-10 UNC x 2-3/4

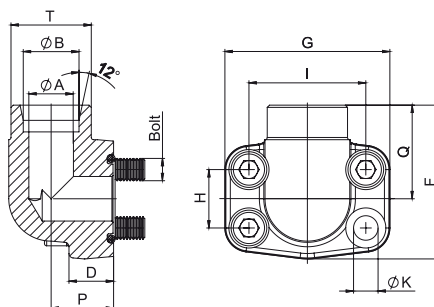
¹ The maximum working pressure applies only to the flange itself and depends on the bolts used (Grade 8.8 / 10.9). The actual maximum working pressure depends on the thickness and the quality of the tube used.

² For UNC threaded bolts, use hexagon head bolts only. Please note that these do not belong to our product range.

³ Alternative options shown in brackets are available on request.

SAE 90° Single-Part Fitting Flange with 24° Cone Connector (acc. to ISO 8434-1 / DIN 2353)

BFX90-L/S



Order Codes

- * SAE 90° Single-Part Fitting Flange (without O-ring) **BFX90-...-L**/-S****
- * Including Metric bolts 8.8, spring rings, O-ring made of NBR (Buna-N®) (packed in kits) **BFX90-...-L**#K**
- * Including Metric bolts 10.9, spring rings, O-ring made of NBR (Buna-N®) (packed in kits) **BFX90-...-L**-MH#K**
- * Including UNC bolts (Gr10), spring rings, O-ring made of FPM (Viton®) (packed in kits) **BFX90-...-S**-V-U#K**

Material S355J0 / C45 or equivalent
Surface CrVI-free
Special Material Stainless Steel 1.4404 "-W5" on request

3000 PSI Standard Pressure Series (according to ISO 6162-1)

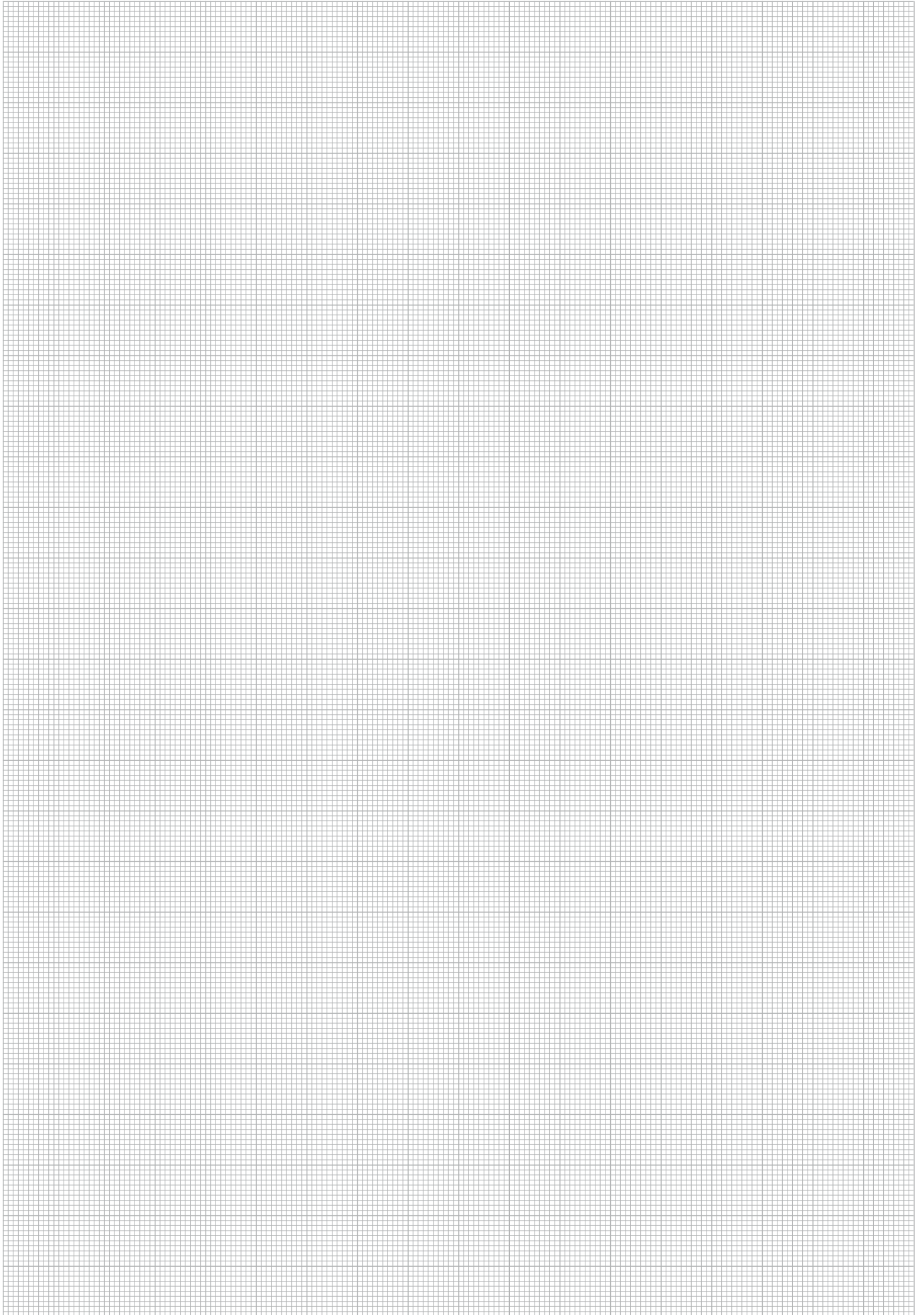
PN (bar) ¹		Nominal Size		Order Codes	Dimensions (mm)										for Bolts	
8.8 Bolts	10.9 (MH) Bolts	DN	(in)		Ø A	Ø B	D	H	I	P	Q	T (Metric)	Ø K	Metr.	UNC	
350	350	13	1/2	BFX90-301-L15	11	15 L	16	17,5	38,1	18	36	22x1,5	9	M8x30	5/16-18 UNC x 1-1/4	
350	350	13	1/2	BFX90-301-S16	12	16 S	16	17,5	38,1	18	36	24x1,5	9	M8x30	5/16-18 UNC x 1-1/4	
350	350	19	3/4	BFX90-302-S16	12	16 S	18	22,3	47,6	22	38	24x1,5	11	M10x35	3/8-16 UNC x 1-1/2	
350	350	19	3/4	BFX90-302-S20	16	20 S	18	22,3	47,6	22	38	30x2,0	11	M10x35	3/8-16 UNC x 1-1/2	
350	350	19	3/4	BFX90-302-L22	18	22 L	18	22,3	47,6	22	38	30x2,0	11	M10x35	3/8-16 UNC x 1-1/2	
250	315	25	1	BFX90-303-S25	20	25 S	19	26,2	52,4	28	42	36x2,0	11	M10x35	3/8-16 UNC x 1-1/2	
250	315	25	1	BFX90-303-L28	23	28 L	19	26,2	52,4	28	42	36x2,0	11	M10x35	3/8-16 UNC x 1-1/2	
200	250	32	1-1/4	BFX90-304-S25	20	25 S	22	30,2	58,7	30	50	36x2,0	11,5	M10x40	7/16-14 UNC x 1-1/2	
200	250	32	1-1/4	BFX90-304-S30	25	30 S	22	30,2	58,7	30	50	42x2,0	11,5	M10x40	7/16-14 UNC x 1-1/2	
200	250	32	1-1/4	BFX90-304-L35	30	35 L	22	30,2	58,7	30	50	45x2,0	11,5	M10x40	7/16-14 UNC x 1-1/2	
200	200	38	1-1/2	BFX90-305-S38	32	38 S	25	35,7	69,8	36	58	52x2,0	13,5	M12x45	1/2-13 UNC x 1-3/4	
200	200	38	1-1/2	BFX90-305-L42	36	42 L	25	35,7	69,8	36	58	52x2,0	13,5	M12x45	1/2-13 UNC x 1-3/4	

6000 PSI High Pressure Series (according to ISO 6162-2)

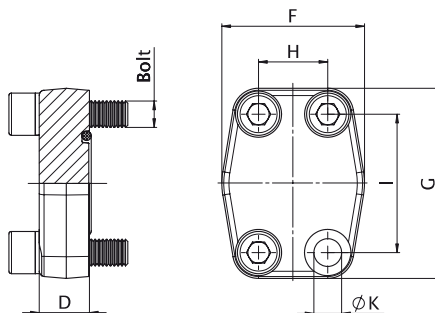
PN (bar) ¹		Nominal Size		Order Codes	Dimensions (mm)										for Bolts	
8.8 Bolts	10.9 (MH) Bolts	DN	(in)		Ø A	Ø B	D	H	I	P	Q	T (Metric)	Ø K	Metr.	UNC	
350	400	13	1/2	BFX90-601-S16	12	16 S	16	17,5	40,5	20	36	24x1,5	9	M8x30	5/16-18 UNC x 1-1/4	
350	400	19	3/4	BFX90-602-S16	12	16 S	19	22,3	50,8	26	41	24x1,5	11	M10x35	3/8-16 UNC x 1-1/2	
350	400	19	3/4	BFX90-602-S20	20	20 S	19	22,3	50,8	26	41	30x2,0	11	M10x35	3/8-16 UNC x 1-1/2	
350	400	25	1	BFX90-603-S25	20	25 S	24	26,2	57,2	30	50	36x2,0	13	M12x40	7/16-14 UNC x 1-1/2	
350	400	32	1-1/4	BFX90-604-S30-M14	25	30 S	25	30,2	66,6	36	58	42x2,0	15	M14x45	1/2-13 UNC x 1-3/4	
350	400	38	1-1/2	BFX90-605-S38	32	38 S	26	35,7	79,3	41	65	52x2,0	17	M16x45	5/8-11 UNC x -2	

¹ The maximum working pressure applies only to the flange itself and depends on the bolts used (grade 8.8 / 10.9). The actual maximum working pressure depends on the thickness and the quality of the tube used in the particular situation.

² By the use of UNC screws, hexagon head bolts should be used. Please note that these do not belong to our product range.



SAE Single-Part Blanking Flange BFX-CP



Order Codes

- ★ SAE Single-Part Blanking Flange (without O-ring) **BFX-...-CP**
- ★ Including Metric bolts 8.8, spring rings, O-ring made of NBR (Buna-N®) (packed in kits) **BFX-...-CP#K**
- ★ Including Metric bolts 10.9, spring rings, O-ring made of NBR (Buna-N®) (packed in kits) **BFX-...-MH-CP#K**
- ★ Including UNC bolts (Gr10), spring rings, O-ring made of FPM (Viton®) (packed in kits) **BFX-...-CP-V-U#K**

Material S355J0/C45 or equivalent
Surface blank, oiled
Special Material Stainless Steel 1.4404 "-W5" on request

3000 PSI Standard Pressure Series (according to ISO 6162-1)

PN (bar) ¹		Nominal Size		Order Codes	Dimensions (mm)						for Bolts	
8.8 Bolts	10.9 (MH) Bolts	DN	(in)		D	F	G	H	I	Ø K ³	Metr. ³	UNC
350	350	13	1/2	BFX-301-CP	16	47	57	17,5	38,1	8,7	M8x30	5/16-18 UNC x 1-1/4
350	350	19	3/4	BFX-302-CP	18	50	67	22,3	47,6	10,5	M10x35	3/8-16 UNC x 1-1/2
250	315	25	1	BFX-303-CP	19	54	72	26,2	52,4	10,5	M10x35	3/8-16 UNC x 1-1/2
200	250	32	1-1/4	BFX-304-CP	18	68	82	30,2	58,7	11,7 (12,5)	M10x40 (M12x40)	7/16-14 UNC x 1-1/2
200	200	38	1-1/2	BFX-305-CP	20	79	96	35,7	69,9	13,5 (14,5)	M12x45 (M14x45)	1/2-13 UNC x 1-3/4
160	200	51	2	BFX-306-CP	20	88	102	42,9	77,8	13,5 (14,5)	M12x45 (M14x45)	1/2-13 UNC x 1-3/4
100	160	64	2-1/2	BFX-307-CP	20	101	115	50,8	88,9	13,5 (14,5)	M12x45 (M14x45)	1/2-13 UNC x 1-3/4
100	160	76	3	BFX-308-CP	24	127	137	61,9	106,4	17,0	M16x50	5/8-11 UNC x 2
35	35	89	3-1/2	BFX-309-CP	22	138	155	69,8	120,7	17,0	M16x50	5/8-11 UNC x 2
35	35	102	4	BFX-310-CP	25	147	163	77,8	130,2	17,0	M16x50	5/8-11 UNC x 2
35	35	127	5	BFX-311-CP	25	180	184	92,0	152,4	17,0	M16x55	5/8-11 UNC x 2-1/4

6000 PSI High Pressure Series (according to ISO 6162-2)

PN (bar) ¹		Nominal Size		Order Codes	Dimensions (mm)						for Bolts	
8.8 Bolts	10.9 (MH) Bolts	DN	(in)		D	F	G	H	I	Ø K	Metr.	UNC
350	400	13	1/2	BFX-601-CP	16	47	57	18,2	40,5	8,7	M8x30	5/16-18 UNC x 1-1/4
350	400	19	3/4	BFX-602-CP	19	54	72	23,8	50,8	10,5	M10x35	3/8-16 UNC x 1-1/2
350	400	25	1	BFX-603-CP	24	68	82	27,8	57,2	13,0	M12x45	7/16-14 UNC x 1-3/4
350	400	32	1-1/4	BFX-604-CP	27	79	95	31,8	66,6	13,5	M12x45	1/2-13 UNC x 1-3/4
350	400	32	1-1/4	BFX-604-CP-M14	27	79	95	31,8	66,6	15,0	M14x45	
350	400	38	1-1/2	BFX-605-CP	30	88	108	36,5	79,3	17,0	M16x55	5/8-11 UNC x 2-1/4
350	400	51	2	BFX-606-CP	30	118	137	44,5	96,8	21,0	M20x65	3/4-10 UNC x 2-3/4

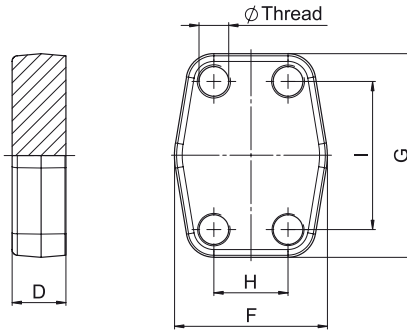
¹ The maximum working pressure applies only to the flange itself and depends on the bolts used (Grade 8.8 / 10.9).

² For UNC threaded bolts, use hexagon head bolts only. Please note that these do not belong to our product range.

³ Alternative options shown in brackets are available on request.

**SAE Single-Part Blanking Counterflange
BAS-CP**
Order Codes

- * SAE Single-Part Blanking Counterflange **BAS-...-CP**
- * UNC thread **BAS-...-CPU**
- * Deviant Metric thread (M14) **BAS-...-CPM14**



Material S355J0/C45 or equivalent
Surface blank, oiled
Special Material Stainless Steel 1.4404 "-W5" on request

3000 PSI Standard Pressure Series (according to ISO 6162-1)

PN (bar) ¹		Nominal Size		Order Codes	Dimensions (mm)					Ø Thread	
8.8 Bolts	10.9 (MH) Bolts	DN	(in)		D	F	G	H	I	Metr. ³	
350	350	13	1/2	BAS-301-CP	16	47	57	17,5	38,1	M8	5/16-18 UNC
350	350	19	3/4	BAS-302-CP	18	50	67	22,3	47,6	M10	3/8-16 UNC
250	315	25	1	BAS-303-CP	19	54	72	26,2	52,4	M10	3/8-16 UNC
200	250	32	1-1/4	BAS-304-CP	18	68	82	30,2	58,7	M10 (M12)	7/16-14 UNC
200	200	38	1-1/2	BAS-305-CP	20	79	96	35,7	69,9	M12 (M14)	1/2-13 UNC
160	200	51	2	BAS-306-CP	20	88	102	42,9	77,8	M12 (M14)	1/2-13 UNC
100	160	64	2-1/2	BAS-307-CP	20	101	115	50,8	88,9	M12 (M14)	1/2-13 UNC
100	160	76	3	BAS-308-CP	24	127	137	61,9	106,4	M16	5/8-11 UNC
35	35	89	3-1/2	BAS-309-CP	22	138	155	69,8	120,7	M16	5/8-11 UNC
35	35	102	4	BAS-310-CP	25	147	163	77,8	130,2	M16	5/8-11 UNC
35	35	127	5	BAS-311-CP	25	180	184	92,0	152,4	M16	5/8-11 UNC

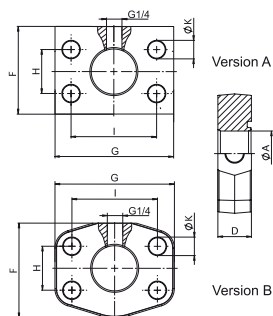
6000 PSI High Pressure Series (according to ISO 6162-2)

PN (bar) ¹		Nominal Size		Order Codes	Dimensions (mm)					Ø Thread	
8.8 Bolts	10.9 (MH) Bolts	DN	(in)		D	F	G	H	I	Metr.	
350	400	13	1/2	BAS-601-CP	16	47	57	18,2	40,5	M8	5/16-18 UNC
350	400	19	3/4	BAS-602-CP	19	54	72	23,8	50,8	M10	3/8-16 UNC
350	400	25	1	BAS-603-CP	24	68	82	27,8	57,2	M12	7/16-14 UNC
350	400	32	1-1/4	BAS-604-CP	27	79	95	31,8	66,6	M12	1/2-13 UNC
350	400	32	1-1/4	BAS-604-CPM14	27	79	95	31,8	66,6	M14	
350	400	38	1-1/2	BAS-605-CP	30	88	108	36,5	79,3	M16	5/8-11 UNC
350	400	51	2	BAS-606-CP	30	118	137	44,5	96,8	M20	3/4-10 UNC

¹ The maximum working pressure applies only to the flange itself and depends on the bolts used (Grade 8.8 / 10.9).

³ Alternative options shown in brackets are available on request.

SAE Sandwich Plate (e.g. for Test Point) - Female BSPP Port SPL-G1/4-L



Order Codes

★ SAE Sandwich Plate **SPL-...-G1/4-L**
(e.g. for Test Point) Female BSPP Port



Please see **STAUFF Test** section
for further information on the
corresponding test points.

Material S355J0/C45 or equivalent
Surface blank, oiled
Special Material Stainless Steel 1.4404 "-W5" on request

3000 PSI Standard Pressure Series (according to ISO 6162-1)

PN (bar) ¹		Nominal Size		Order Codes	Dimensions (mm)							
8.8 Bolts	10.9 (MH) Bolts	DN	(in)		Ø A	D	F	G	H	I	Ø K	Version
350	350	13	1/2	SPL-301-G1/4-L	12	24	40	55.0	17.5	38.1	8.7	A
350	350	19	3/4	SPL-302-G1/4-L	19	28	50	65.0	22.3	47.6	10.5	A
250	315	25	1	SPL-303-G1/4-L	24	25	60	70.6	26.2	52.4	10.5	B
200	250	32	1-1/4	SPL-304-G1/4-L	31	23	68	82.0	30.2	58.7	11.7	B
200	200	38	1-1/2	SPL-305-G1/4-L	38	24	79	96.0	35.7	69.9	13.5	B
160	200	51	2	SPL-306-G1/4-L	50	24	88	102.0	42.9	77.8	13.5	B

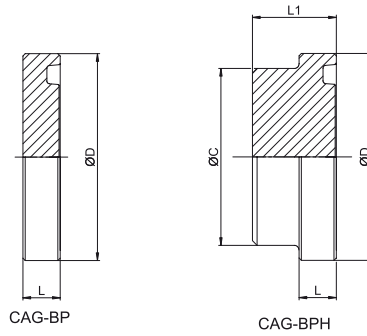
6000 PSI High Pressure Series (according to ISO 6162-2)

PN (bar) ¹		Nominal Size		Order Codes	Dimensions (mm)							
8.8 Bolts	10.9 (MH) Bolts	DN	(in)		Ø A	D	F	G	H	I	Ø K	Version
350	400	13	1/2	SPL-601-G1/4-L	12	24	40	55.0	18.2	40.5	8.7	A
350	400	19	3/4	SPL-602-G1/4-L	19	25	60	70.6	23.8	50.8	10.5	A
350	400	25	1	SPL-603-G1/4-L	25	23	68	82.0	27.8	57.2	13.0	B
350	400	32	1-1/4	SPL-604-G1/4-L	31	25	79	95.0	31.8	66.6	13.5	B
350	400	32	1-1/4	SPL-604-G1/4-L-M14	31	25	79	95.0	31.8	66.6	15.0	B
350	400	38	1-1/2	SPL-605-G1/4-L	38	28	88	108.0	36.5	79.3	17.0	B
350	400	51	2	SPL-606-G1/4-L	50	33	118	137.0	44.5	96.8	21.0	B

¹ The maximum working pressure applies only to the flange itself and depends on the bolts used (Grade 8.8 / 10.9).

**SAE Blindplug
CAG-BP / CAG-BPH (high Version)**
Order Codes

- * SAE Blindplug (without O-ring) **CAG-BP-...**
- * Including Metric bolts 8.8, spring rings, O-ring made of NBR (Buna-N®) and DB (packed in kits) **CAG-BP-...#K**
- * SAE Blindplug - high Version (without O-ring) **CAG-BPH-...**
- * SAE Blindplug Counterflange high Version **CSG-BPH-...**



Material S355J0/C45 or equivalent
Surface CrVI free
Special Material Stainless Steel 1.4571 "-W5" on request

3000 PSI Standard Pressure Series (according to ISO 6162-1)

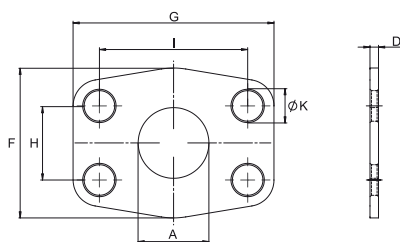
PN (bar)		Nominal Size		Order Codes	Order Codes	Dimensions (mm)			
BP	BPH	DN	(in)			Ø C	Ø D	L	L1
210	350	13	1/2	CAG-BP-301	CAG-BPH-301	24	30,2	6,8	15
210	350	19	3/4	CAG-BP-302	CAG-BPH-302	31,5	38,1	6,8	16
210	315	25	1	CAG-BP-303	CAG-BPH-303	38	44,45	8	18
200	250	32	1-1/4	CAG-BP-304	CAG-BPH-304	43	50,8	8	18
160	200	38	1-1/2	CAG-BP-305	CAG-BPH-305	50	60,35	8	18
160	200	51	2	CAG-BP-306	CAG-BPH-306	61,8	71,4	9,6	21
100	160	64	2-1/2	CAG-BP-307	CAG-BPH-307	73,8	84,1	9,6	21
100	160	76	3	CAG-BP-308	CAG-BPH-308	90	101,6	9,6	24
35	35	89	3-1/2	CAG-BP-309	CAG-BPH-309	102	114,3	11,3	45
35	35	102	4	CAG-BP-310	CAG-BPH-310	114	127	11,3	55

6000 PSI High Pressure Series (according to ISO 6162-2)

PN (bar)		Nominal Size		Order Codes	Order Codes	Dimensions (mm)			
BP	BPH	DN	(in)			Ø C	Ø D	L	L1
250	350	13	1/2	CAG-BP-601	CAG-BPH-601	24	31,8	7,8	18
250	350	19	3/4	CAG-BP-602	CAG-BPH-602	32	41,3	8,8	21
250	350	25	1	CAG-BP-603	CAG-BPH-603	38	47,6	9,5	26
250	350	32	1-1/4	CAG-BP-604 ²	CAG-BPH-604 ²	43,8	54	10,3	31
250	350	38	1-1/2	CAG-BP-605	CAG-BPH-605	50,8	63,5	12,6	34
250	350	51	2	CAG-BP-606	CAG-BPH-606	66,5	79,4	12,6	42

² According to ISO 6162-2 bolts M12 should be used but because usually bolts M14 are used the description of the complete clamp must show M14 (e.g. CAG-BP-604-M14#K).

SAE Sandwich Plate SPL



Material ST35 or equivalent
Surface blank, oiled

Order Codes

★ SAE Sandwich Plate

SPL-...

3000 PSI Standard Pressure Series (according to ISO 6162-1)

Nominal Size		Order Codes	Dimensions (mm)						
DN	(in)		A	D	F	G	H	I	Ø K
13	1/2	SPL-301	13	3	47	57	17,5	38,1	9
19	3/4	SPL-302	19	3	49	66	22,3	47,6	11
25	1	SPL-303	25	3	53	71	26,2	52,4	11
32	1-1/4	SPL-304	32	3	69	80	30,2	58,7	11,5
38	1-1/2	SPL-305	38	3	77	95	35,7	69,9	13,5
51	2	SPL-306	51	3	89	103	42,9	77,8	13,5
64	2-1/2	SPL-307	63	3	101	116	50,8	88,9	13,5
76	3	SPL-308	73	4	124	136	61,9	106,4	17
89	3-1/2	SPL-309	89	4	136	152	69,8	120,7	17
102	4	SPL-310	99	4	146	162	77,8	130,2	17
127	5	SPL-311	120	4	180	184	92	152,4	17

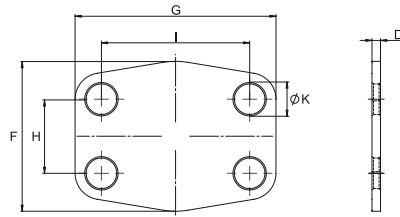
6000 PSI High Pressure Series (according to ISO 6162-2)

Nominal Size		Order Codes	Dimensions (mm)						
DN	(in)		A	D	F	G	H	I	Ø K
13	1/2	SPL-601	13	4	47	57	18,2	40,5	9
19	3/4	SPL-602	17	4	53	71	23,8	50,8	11
25	1	SPL-603	24	4	66	80	27,8	57,2	13
32	1-1/4	SPL-604-M14	31	4	77	94	31,8	66,6	15
38	1-1/2	SPL-605	38	4	89	103	36,5	79,3	17
51	2	SPL-606	51	4	116	135	44,5	96,8	21
64	2-1/2	SPL-607	63	4	150	166	58,7	123,8	25
76	3	SPL-608	73	4	178	208	71,4	152,4	32

**SAE Cover Plate
CPL**
Order Codes

★ SAE Cover Plate

CPL-...



Material ST35 or equivalent
Surface blank, oiled

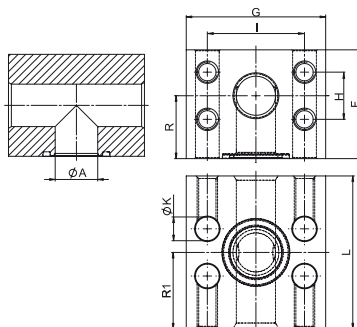
3000 PSI Standard Pressure Series (according to ISO 6162-1)

Nominal Size		Order Codes	Dimensions (mm)					
DN	(in)		D	F	G	H	I	Ø K
13	1/2	CPL-301	3	47	57	17,5	38,1	9
19	3/4	CPL-302	3	49	66	22,3	47,6	11
25	1	CPL-303	3	53	71	26,2	52,4	11
32	1-1/4	CPL-304	3	69	80	30,2	58,7	11,5
38	1-1/2	CPL-305	3	77	95	35,7	69,9	13,5
51	2	CPL-306	3	89	103	42,9	77,8	13,5
64	2-1/2	CPL-307	3	101	116	50,8	88,9	13,5
76	3	CPL-308	4	124	136	61,9	106,4	17
89	3-1/2	CPL-309	4	136	152	69,8	120,7	17
102	4	CPL-310	4	146	162	77,8	130,2	17
127	5	CPL-311	4	180	184	92	152,4	17

6000 PSI High Pressure Series (according to ISO 6162-2)

Nominal Size		Order Codes	Dimensions (mm)					
DN	(in)		D	F	G	H	I	Ø K
13	1/2	CPL-601	4	47	57	18,2	40,5	9
19	3/4	CPL-602	4	53	71	23,8	50,8	11
25	1	CPL-603	4	66	80	27,8	57,2	13
32	1-1/4	CPL-604-M14	4	77	94	31,8	66,6	15
38	1-1/2	CPL-605	4	89	103	36,5	79,3	17
51	2	CPL-606	4	116	135	44,5	96,8	21
64	2-1/2	CPL-607	4	150	166	58,7	123,8	25
76	3	CPL-608	4	178	208	71,4	152,4	32

SAE Block T-Connection BF-T



Order Codes

- * SAE Block T-Connection (Adapter Style) **BF-T-...**
- * Deviant screw holes and threads **BF-T-...M****

Material S355J0 or equivalent
Surface CrVI-free
Special Material Stainless Steel 1.4404 "-W5" on request

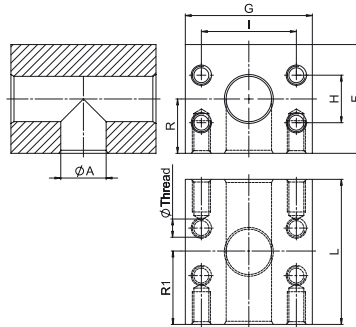
3000 PSI Standard Pressure Series (according to ISO 6162-1)

PN (bar) ¹		Nominal Size		Order Codes	Dimensions (mm)										Thread
8.8 Bolts	10.9 (MH) Bolts	DN	(in)		ϕA	F	G	H	I	L	R	R1	ϕK	Metr.	
350	400	19	3/4	BF-T-602	19	55	72	23,8	50,8	72	32	36	11,0	M10	
350	400	25	1	BF-T-603	23	64	82	27,8	57,2	90	37	45	13,5	M12	
350	400	32	1-1/4	BF-T-604-M14	30	72	100	31,8	66,6	100	41	50	15,5	M14	
350	400	38	1-1/2	BF-T-605	38	89	114	36,5	79,3	110	50	55	17,5	M16	
350	400	51	2	BF-T-606	50	107	133	44,5	96,8	135	64	67,5	22,0	M20	

¹ The maximum working pressure applies only to the flange itself and depends on the bolts used (Grade 8.8 / 10.9).

**SAE Block T-Connection
BC-T**
Order Codes

- * SAE Block T-Connection (Connector Style) **BC-T-...**
- * Deviant Threads **BC-T-...M****



Material S355J0 or equivalent
Surface CrVI-free
Special Material Stainless Steel 1.4404 "-W5" on request

3000 PSI Standard Pressure Series (according to ISO 6162-1)

PN (bar) ¹		Nominal Size		Order Codes	Dimensions (mm)								Thread
8.8 Bolts	10.9 (MH) Bolts	DN	(in)		Ø A	F	G	H	I	L	R	R1	Metr.
350	350	13	1/2	BC-T-301	13	50	55	17,5	38,1	70	25,0	35,0	M8
350	350	19	3/4	BC-T-302	19	60	65	23,3	47,6	75	30,0	37,5	M8
250	315	25	1	BC-T-303	24	65	72	26,2	52,4	80	33,0	40,0	M10
200	250	32	1-1/4	BC-T-304	32	80	82	30,2	58,7	90	39,0	45,0	M10
200	200	38	1-1/2	BC-T-305	38	92	100	35,7	69,9	110	51,0	55,0	M10
160	200	51	2	BC-T-306	51	87	102	42,9	77,8	120	51,0	60,0	M12
100	160	64	2-1/2	BC-T-307	62	120	115	50,8	88,9	160	60,0	80,0	M12
100	138	76	3	BC-T-308	73	135	135	61,9	106,4	160	67,5	80,0	M16
35	35	89	3-1/2	BC-T-309	89	145	150	69,9	120,7	160	72,5	80,0	M16

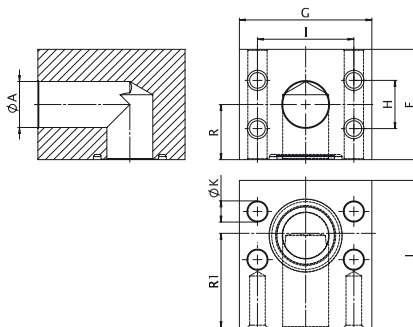
6000 PSI High Pressure Series (according to ISO 6162-2)

PN (bar) ¹		Nominal Size		Order Codes	Dimensions (mm)								Thread
8.8 Bolts	10.9 (MH) Bolts	DN	(in)		Ø A	F	G	H	I	L	R	R1	Metr.
350	400	13	1/2	BC-T-601	13	50	60	18,2	40,5	90	25,0	45,0	M8
350	400	19	3/4	BC-T-602	19	55	72	23,8	50,8	72	32,0	36,0	M10
350	400	25	1	BC-T-603	23	64	82	27,8	57,2	90	37,0	45,0	M12
350	400	32	1-1/4	BC-T-604	30	72	100	31,8	66,6	100	41,0	50,0	M12
350	400	32	1-1/4	BC-T-604M14	30	72	100	31,8	66,6	100	41,0	50,0	M14
350	400	38	1-1/2	BC-T-605	38	89	114	36,5	79,3	110	50,0	55,0	M16
350	400	51	2	BC-T-606	50	107	133	44,5	96,8	135	64,0	67,5	M20
350	400	64	2	BC-T-607	62	155	180	58,8	123,8	180	77,5	90,0	M24

¹ The maximum working pressure applies only to the flange itself and depends on the bolts used (Grade 8.8 / 10.9).

SAE Block L-Connection

BF-L



Order Codes

- * SAE Block L-Connection (Adapter Style) **BF-L-...**
- * Deviant screw holes and threads **BF-L-...M****

Material S355J0 or equivalent
Surface CrVI-free
Special Material Stainless Steel 1.4404 "-W5" on request

3000 PSI Standard Pressure Series (according to ISO 6162-1)

PN (bar) ¹		Nominal Size		Order Codes	Dimensions (mm)										Thread
8.8 Bolts	10.9 (MH) Bolts	DN	(in)		Ø A	F	G	H	I	L	R	R1	ØK	Metr.	
350	350	13	1/2	BF-L-301	13	50	55	17,5	38,1	55	25,0	35	9,0	M8	
350	350	20	3/4	BF-L-302	19	60	65	23,3	47,6	60	30,0	40	11,0	M10	
250	315	25	1	BF-L-303	24	65	72	26,2	52,4	65	33,0	40	11,0	M10	
200	200	32	1-1/4	BF-L-304	32	80	82	30,2	58,7	82	39,0	38	11,0	M10	
160	200	38	1-1/2	BF-L-305	38	92	100	35,7	69,9	92	51,0	59	13,5	M12	
100	160	51	2	BF-L-306	51	87	102	42,9	77,8	85	51,0	48	13,5	M12	
100	160	64	2-1/2	BF-L-307	62	120	110	50,8	88,9	110	60,0	65	13,5	M12	
100	138	76	3	BF-L-308	73	135	135	61,9	106,4	150	67,5	90	17,5	M16	
35	35	89	3-1/2	BF-L-309	89	145	150	69,9	120,7	145	72,5	75	17,5	M16	

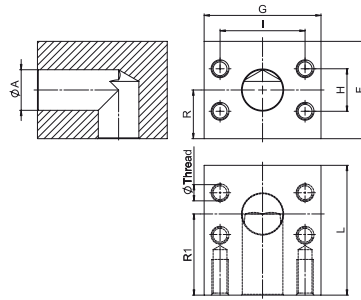
6000 PSI High Pressure Series (according to ISO 6162-2)

PN (bar) ¹		Nominal Size		Order Codes	Dimensions (mm)										Thread
8.8 Bolts	10.9 (MH) Bolts	DN	(in)		Ø A	F	G	H	I	L	R	R1	ØK	Metr.	
350	400	13	1/2	BF-L-601	13	50	60	18,2	40,5	60	25,0	40	9,0	M8	
350	400	19	3/4	BF-L-602	19	55	72	23,8	50,8	60	32,0	36	11,0	M10	
350	400	25	1	BF-L-603	23	64	82	27,8	57,2	68	37,0	40	13,5	M12	
350	400	32	1-1/4	BF-L-604	30	72	100	31,8	66,6	72	41,0	46	13,5	M12	
350	400	32	1-1/4	BF-L-604-M14	30	72	100	31,8	66,6	72	41,0	46	15,5	M14	
350	400	38	1-1/2	BF-L-605	38	89	114	36,5	79,3	86	50,0	52	17,5	M16	
350	400	51	2	BF-L-606	50	107	133	44,5	96,8	107	64,0	70	22,0	M20	
350	400	64	2-1/2	BF-L-607	62	155	180	58,8	123,8	160	77,5	90	26,0	M24	

¹ The maximum working pressure applies only to the flange itself and depends on the bolts used (Grade 8.8 / 10.9).

**SAE Block L-Connection
BC-L**
Order Codes

- * SAE Block L-Connection (Connector Style) **BC-L-...**
- * Deviant threads **BC-L-...M****



Material S355J0 or equivalent
Surface CrVI-free
Special Material Stainless Steel 1.4404 "W5" on request

3000 PSI Standard Pressure Series (according to ISO 6162-1)

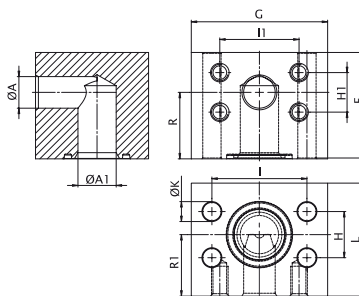
PN (bar) ¹		Nominal Size		Order Codes	Dimensions (mm)								Thread
8.8 Bolts	10.9 (MH) Bolts	DN	(in)		Ø A	F	G	H	I	L	R	R1	Metr.
350	350	13	1/2	BC-L-301	13	50	55	17,5	38,1	55	25,0	35	M8
350	350	20	3/4	BC-L-302	19	60	65	23,3	47,6	60	30,0	40	M10
250	315	25	1	BC-L-303	24	65	72	26,2	52,4	65	33,0	40	M10
200	200	32	1-1/4	BC-L-304	32	80	82	30,2	58,7	82	39,0	38	M10
160	200	38	1-1/2	BC-L-305	38	92	100	35,7	69,9	92	51,0	59	M12
100	160	51	2	BC-L-306	51	87	102	42,9	77,8	85	51,0	48	M12
100	160	64	2-1/2	BC-L-307	62	120	110	50,8	88,9	110	60,0	65	M12
100	138	76	3	BC-L-308	73	135	135	61,9	106,4	150	67,5	90	M16
35	35	89	3-1/2	BC-L-309	89	145	150	69,9	120,7	145	72,5	75	M16

6000 PSI High Pressure Series (according to ISO 6162-2)

PN (bar) ¹		Nominal Size		Order Codes	Dimensions (mm)								Thread
8.8 Bolts	10.9 (MH) Bolts	DN	(in)		Ø A	F	G	H	I	L	R	R1	Metr.
350	400	13	1/2	BC-L-601	13	50	60	18,2	40,5	60,0	25,0	40	M8
350	400	19	3/4	BC-L-602	19	55	72	23,8	50,8	60,0	32,0	36	M10
350	400	25	1	BC-L-603	23	64	82	27,8	57,2	68,0	37,0	40	M12
350	400	32	1-1/4	BC-L-604	30	72	100	31,8	66,6	76,0	41,0	46	M12
350	400	32	1-1/4	BC-L-604M14	30	72	100	31,8	66,6	76,0	41,0	46	M14
350	400	38	1-1/2	BC-L-605	38	89	114	36,5	79,3	86,0	50,0	52	M16
350	400	51	2	BC-L-606	50	107	133	44,5	96,8	107,0	64,0	70	M20
350	400	64	2-1/2	BC-L-607	62	155	180	58,8	123,8	160,0	77,5	90	M24

¹ The maximum working pressure applies only to the flange itself and depends on the bolts used (Grade 8.8 / 10.9).

SAE Block L-Connection Reduction BF-L-RED



Order Codes

- * SAE Block L-Connection (Adapter Style) **BF-L-...-...**
- * Deviant screw holes **BF-L-...-M*-...-**
- * Deviant threads **BF-L-...-...M****

Material S355J0 or equivalent
Surface CrVI-free
Special Material Stainless Steel 1.4404 "-W5" on request

3000 PSI Standard Pressure Series (according to ISO 6162-1)

PN (bar) ¹		Nominal Size		Order Codes	Dimensions (mm)														Thread
8.8 Bolts	10.9 (MH) Bolts	DN	(in)		Ø A	ØA1	F	G	H	H1	I1	I	L	R	R1	ØK	Metr.		
350	400	25 - 19	1 3/4	BF-L-603-602	19	23	64	82	27,8	23,8	50,8	57,2	68	37	40	14	M10		
350	400	32 - 19	1-1/4 - 3/4	BF-L-604-M14-602	19	30	72	100	31,8	23,8	50,8	66,6	76	41	46	16	M10		
350	400	32 - 25	1-1/4 - 1	BF-L-604-M14-603	23	30	72	100	31,8	27,8	57,2	66,6	76	41	46	16	M12		
350	400	38 - 32	1-1/2 - 1-1/4	BF-L-605-604M14	30	38	89	114	36,5	31,8	66,6	79,3	86	50	52	18	M14		
350	400	51 - 38	2 - 1-1/2	BF-L-606-605	38	50	107	133	44,5	36,5	79,3	96,8	107	64	70	22	M16		

¹ The maximum working pressure applies only to the flange itself and depends on the bolts used (Grade 8.8 / 10.9).

Ordering of Separate Sealings

Ordering of separate sealings by using the ordering code as stated below:

O-Ring *** - ID x Cross-section - SH90

*** Material Code (NBR or FKM)
 ID x Cross-section Dimensions according to Dimension Table
 SH90 Shore Hardness (Standard)

Nominal Size		Sealing ID x Cross-section SAE J515 - STAUFF Standard
DN	(in)	
13	1/2	18,64 x 3,53
19	3/4	24,99 x 3,53
25	1	32,92 x 3,53
32	1-1/4	37,69 x 3,53
38	1-1/2	47,22 x 3,53
51	2	56,74 x 3,53
64	2-1/2	69,44 x 3,53
76	3	85,32 x 3,53
89	3-1/2	98,02 x 3,53
102	4	110,72 x 3,53
127	5	136,12 x 3,53

Ordering of Separate Bolt Sets

Ordering of separate bolt sets (consisting of 4 hexagon socket head cap bolts and 4 spring rings) by using the ordering code as stated below:

Metric bolts 8.8 **SET-BFX-IS-M12x50-8.8-ISO4762-W66 (CrVI-free)**
 Metric bolts 10.9 **SET-BFX-IS-M12x50-10.9-ISO4762-W1**
 UNC bolts **SET-BFX-IS-U5/16"-18x1"1/4-GR10-AB18.3-W1**

Thread diameter, length (see corresponding catalogue pages) and type (8.8 or 10.9 for MH / GR10 for U) have to be replaced according to your requirements. Bolts MH (Strength Properties 10.9) are delivered in blank, oiled. Please replace W66 (zinc plated) for Metric bolts and W1 (blank, oiled) with W5 to order stainless Steel (1.4571) bolts.

Metric bolts ISO 4762
 Spring rings for Metric bolts DIN 7980
 UNC bolts ANSI B 18.3
 Spring rings for UNC bolts ANSI B 18.21.1

Sealings / Sealing Materials

NBR (Buna-N®)

90 Shore Shore Hardness
 -30 °C ... +100 °C Temperature Range
 -22 °F ... + 212 °F Temperature Range

FPM (Viton®)

85 ... 90 Shore Shore Hardness
 -20 °C ... +200 °C Temperature Range
 -4 °F ... +392 °F Temperature Range

Other sealing materials are available on request.

3000 PSI Standard Pressure Series (according to ISO 6162-1)

Nominal Size		Sealing ID x Cross-section	
DN	(in)	SAE J515 - STAUFF Standard	ISO 3601-1 - Alternative
13	1/2	18,64 x 3,53	19,0 x 3,55
19	3/4	24,99 x 3,53	25,0 x 3,55
25	1	32,92 x 3,53	32,5 x 3,55
32	1-1/4	37,69 x 3,53	37,5 x 3,55
38	1-1/2	47,22 x 3,53	47,5 x 3,55
51	2	56,74 x 3,53	56,0 x 3,55
64	2-1/2	69,44 x 3,53	69,0 x 3,55
76	3	85,32 x 3,53	85,0 x 3,55
89	3-1/2	98,02 x 3,53	97,5 x 3,55
102	4	110,72 x 3,53	112,0 x 3,55
127	5	136,12 x 3,53	136,0 x 3,55

6000 PSI High Pressure Series (according to ISO 6162-2)

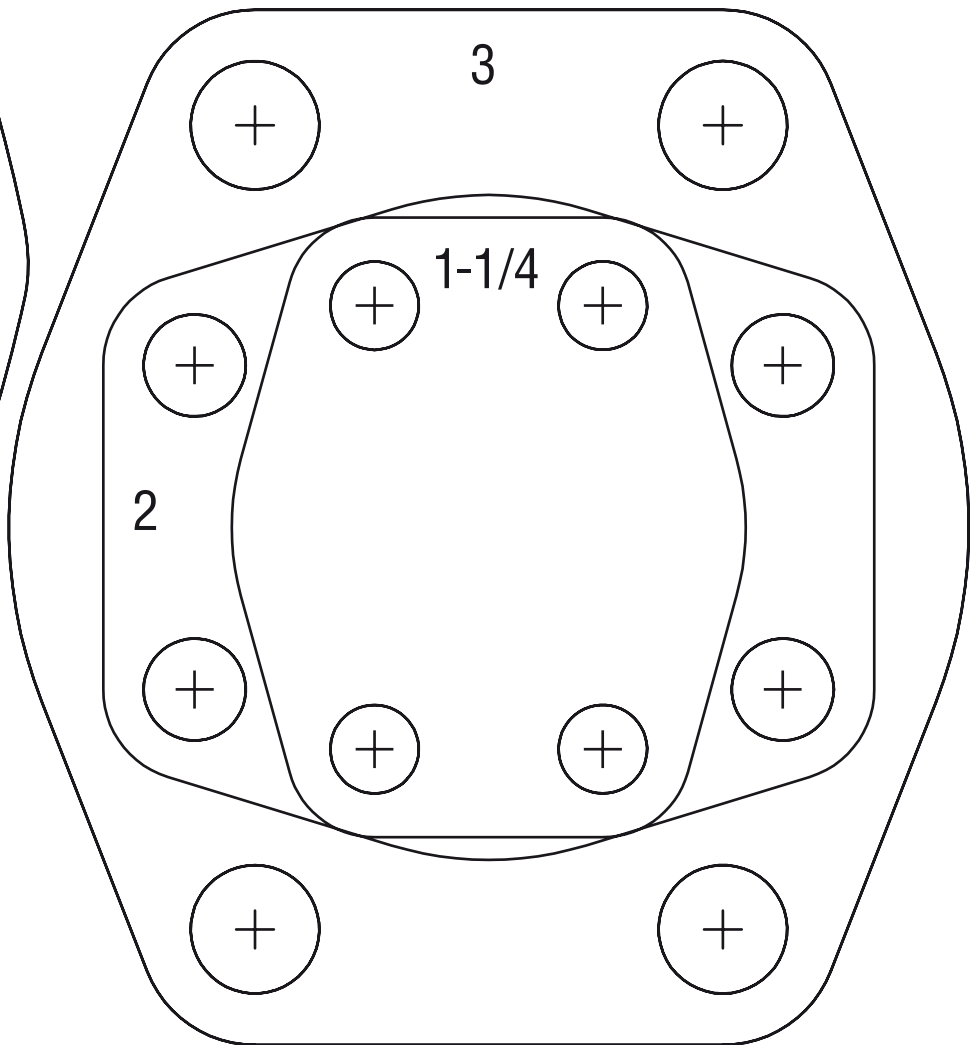
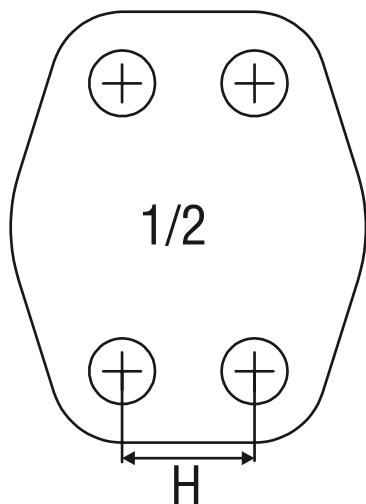
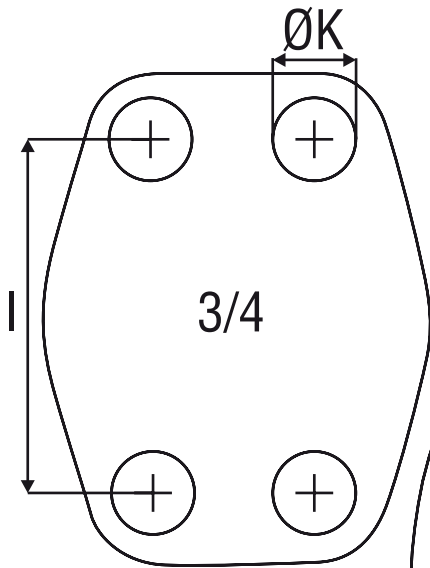
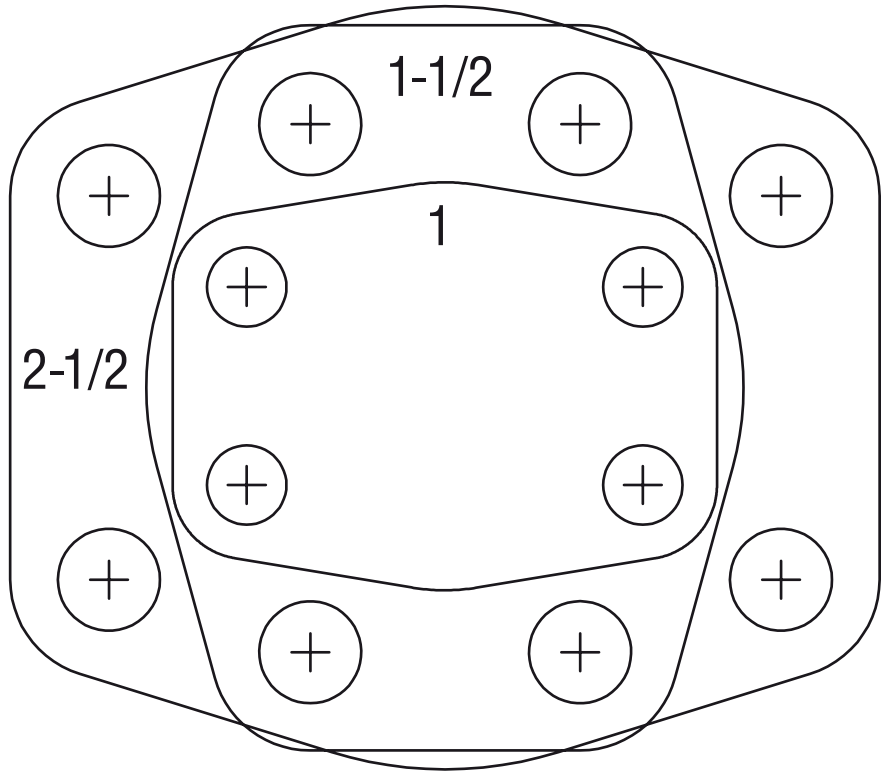
Nominal Size		Sealing ID x Cross-section	
DN	(in)	SAE J515 - STAUFF Standard	ISO 3601-1 - Alternative
13	1/2	18,64 x 3,53	19,0 x 3,55
19	3/4	24,99 x 3,53	25,0 x 3,55
25	1	32,92 x 3,53	32,5 x 3,55
32	1-1/4	37,69 x 3,53	37,5 x 3,55
38	1-1/2	47,22 x 3,53	47,5 x 3,55
51	2	56,74 x 3,53	56,0 x 3,55

SAE Flange Sizing Guide Standard Pressure Series (3000 PSI)

Instructions

To determine flange type and size, place flange over drawing provided and line up holes.

Size	H	I	Ø Screw Holes	Ø Threads
1/2	17,5	38,1	8,7	M8
3/4	22,3	47,6	10,5	M10
1	26,2	52,4	10,5	M10
1-1/4	30,2	58,7	10,5 / 12,5	M10 / M12
1-1/2	35,7	69,9	13,5 / 14,5	M12 / M14
2	42,9	77,8	13,5 / 14,5	M12 / M14
2-1/2	50,8	88,9	13,5 / 14,5	M12 / M14
3	61,9	106,4	17	M16
3-1/2	69,9	120,7	17	M16
4	77,8	130,2	17	M16
5	92,1	152,4	17	M16

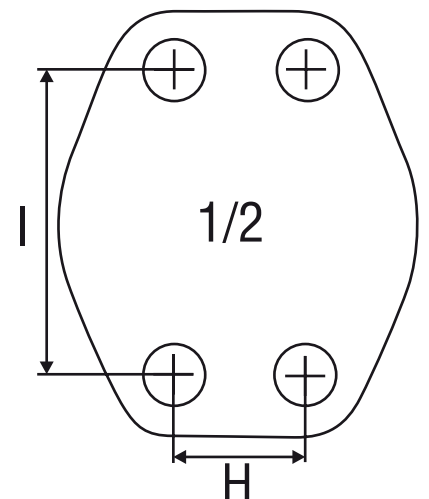
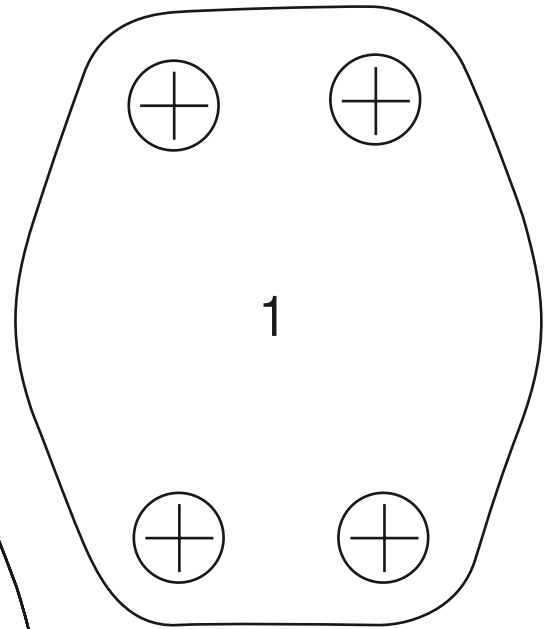
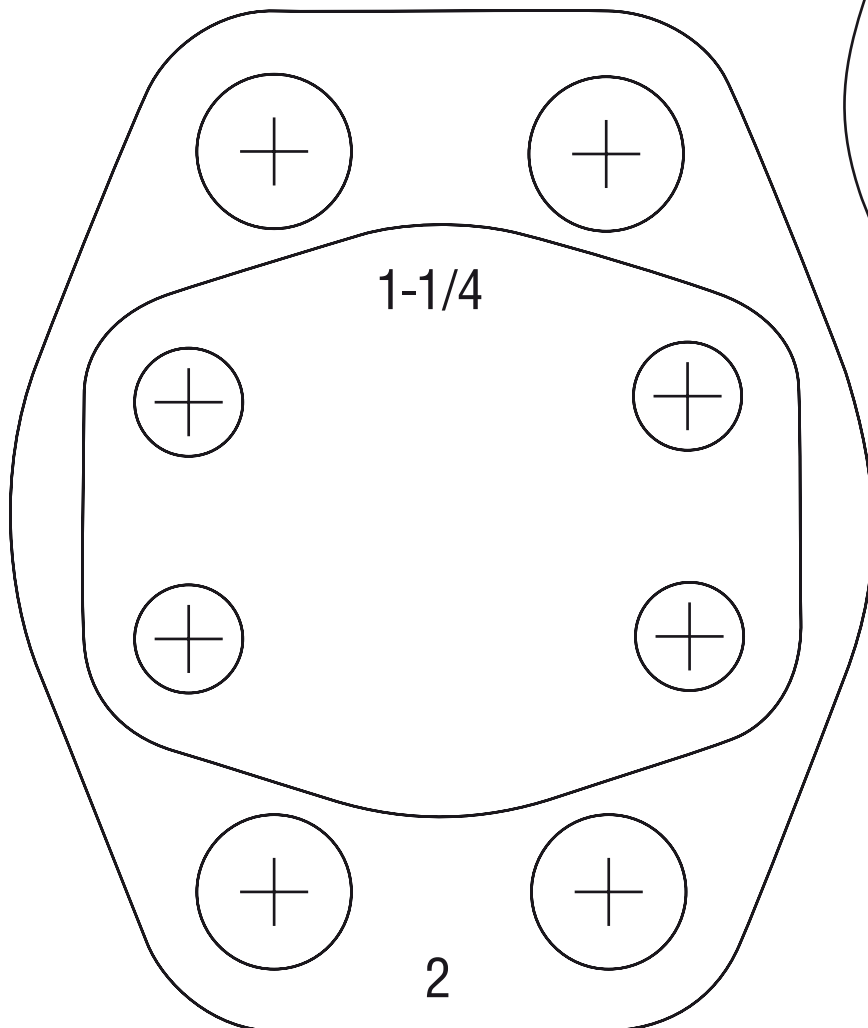
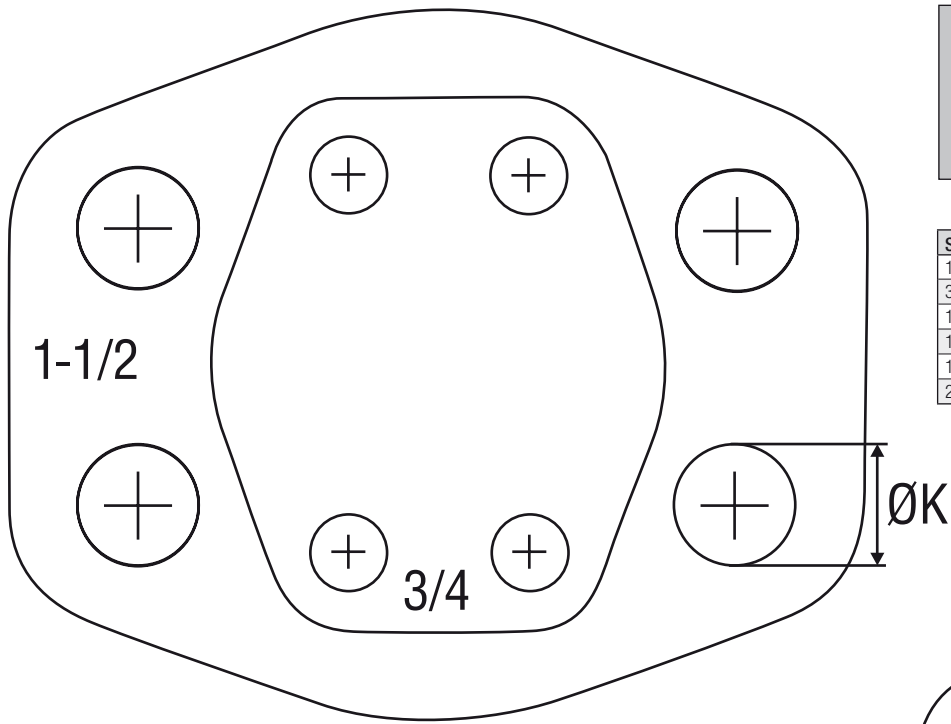


SAE Flange Sizing Guide High Pressure Series (6000 PSI)

Instructions

To determine flange type and size, place flange over drawing provided and line up holes.

Size	H	I	Ø Screw Holes	Ø Threads
1/2	18,2	40,5	8,7	M8
3/4	23,8	50,8	10,5	M10
1	27,8	57,2	13	M12
1-1/4	31,8	66,6	13,5/15	M12 / M14
1-1/2	36,5	79,3	17	M16
2	44,5	96,8	21	M20



Used Bolts: Property Classes and Tightening Torques

Bolts 8.8 M (Metric Standard)

3000 PSI Standard Pressure Series (according to ISO 6162-1)

Nominal Size		Diameter	Tightening Torques (Nm) ^{+10%}	Working Pressure max (bar)	Burst Pressure min (bar)
ISO	SAE				
13	1/2	M8	24	350	1400
19	3/4	M10	50	350	1400
25	1	M10	50	250	1000
32	1-1/4	M10	50	200	800
38	1-1/2	M12	92	200	800
51	2	M12	92	160	640
64	2-1/2	M12	92	100	400
76	3	M16	210	100	400
89	3-1/2	M16	210	35	140
102	4	M16	210	35	140
127	5	M16	210	35	140

Bolts 10.9 MH (Metric High)

3000 PSI Standard Pressure Series (according to ISO 6162-1)

Nominal Size		Diameter	Tightening Torques (Nm) ^{+10%}	Working Pressure max (bar)	Burst Pressure min (bar)
ISO	SAE				
13	1/2	M8	32	350	1400
19	3/4	M10	70	350	1400
25	1	M10	70	315	1260
32	1-1/4	M10	70	250	1000
38	1-1/2	M12	130	200	800
51	2	M12	130	200	800
64	2-1/2	M12	130	160	640
76	3	M16	295	160	640
89	3-1/2	M16	295	35	140
102	4	M16	295	35	140
127	5	M16	295	35	140

6000 PSI High Pressure Series (according to ISO 6162-2)

Nominal Size		Diameter	Tightening Torques (Nm) ^{+10%}	Working Pressure max (bar)	Burst Pressure min (bar)
ISO	SAE				
13	1/2	M8	24	350	1400
19	3/4	M10	50	350	1400
25	1	M12	92	350	1400
32	1-1/4	M12	92	350	1400
32	1-1/4	M14 ¹	130	350	1400
38	1-1/2	M16	210	350	1400
51	2	M20	400	350	1400

6000 PSI High Pressure Series (according to ISO 6162-2)

Nominal Size		Diameter	Tightening Torques (Nm) ^{+10%}	Working Pressure max (bar)	Burst Pressure min (bar)
ISO	SAE				
13	1/2	M8	32	400	1600
19	3/4	M10	70	400	1600
25	1	M12	130	400	1600
32	1-1/4	M12	130	400	1600
32	1-1/4	M14 ¹	180	400	1600
38	1-1/2	M16	295	400	1600
51	2	M20	550	400	1600

Bolts Gr10 U (UNC)

3000 PSI Standard Pressure Series (according to ISO 6162-1)

Nominal Size		Diameter	Tightening Torques (Nm) ^{+10%}	Working Pressure max (bar)	Burst Pressure min (bar)
ISO	SAE				
13	1/2	5/16-18 UNC	32	350	1400
19	3/4	3/8-16 UNC	60	350	1400
25	1	3/8-16 UNC	60	315	1260
32	1-1/4	7/16-14 UNC	92	250	1000
38	1-1/2	1/2-13 UNC	150	200	800
51	2	1/2-13 UNC	150	200	800
64	2-1/2	1/2-13 UNC	150	160	640
76	3	5/8-11 UNC	295	160	640
89	3-1/2	5/8-11 UNC	295	35	140
102	4	5/8-11 UNC	295	35	140
127	5	5/8-11 UNC	295	35	140

6000 PSI High Pressure Series (according to ISO 6162-2)

Nominal Size		Diameter	Tightening Torques (Nm) ^{+10%}	Working Pressure max (bar)	Burst Pressure min (bar)
ISO	SAE				
13	1/2	5/16-18 UNC	32	400	1600
19	3/4	3/8-16 UNC	60	400	1600
25	1	7/16-14 UNC	92	400	1600
32	1-1/4	1/2-13 UNC	150	400	1600
38	1-1/2	5/8-11 UNC	295	400	1600
51	2	3/4-10 UNC	450	400	1600

Notes

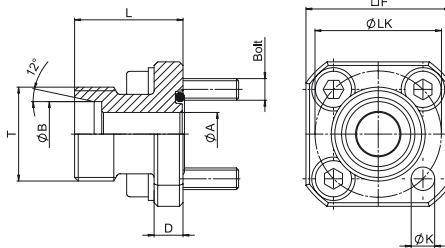
¹ Not to be used for new designs.

Attention: All bolts have to be pre-tightened before applying the full tightening torque to the bolts. Otherwise, the flange may break.

Please note that the tightening torques as stated above are only recommendations. These values correspond to oiled bolts with a friction coefficient of 0.17 and the material combination Steel/Steel. The exact tightening torques depend on factors like material, finishing, coating and lubrication of the components used, and have to be determined by the user himself.

4-hole Flange Connection with 24° Cone Connector (acc. to ISO 8434-1 / DIN 2353)

GP-LK-L/S



Order Codes

★ 4-Hole Flange Connection with 24° Cone Connector **GP-LK...-L/S...#K**

Including Metric bolts 8.8, spring rings and O-ring made of NBR (Buna-N®) (packed in kits)

Material S355J0 or equivalent
Surface ZnNi

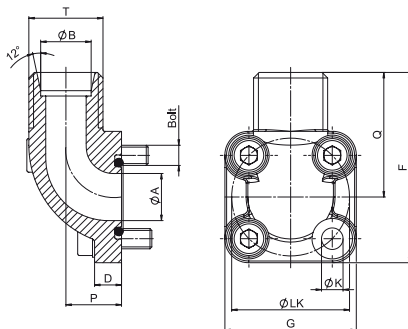
PN (bar) ¹	Order Codes	Dimensions (mm)								Bolts
		Ø LK	Ø A	Ø B	D	F	L	T (Metric)	Ø K	Metr.
8.8										
315	GP-LK35-L10#K	35	7	10 L	8	40	30	16x1,5	6,5	4 x M6x22
315	GP-LK35-L12#K	35	9	12 L	8	40	30	18x1,5	6,5	4 x M6x22
250	GP-LK35-L15#K	35	11	15 L	8	40	30	22x1,5	6,5	4 x M6x22
250	GP-LK35-L18#K	35	12	18 L	8	40	30	26x1,5	6,5	4 x M6x22
315	GP-LK35-S16#K	35	12	16 S	8	40	30	24x1,5	6,5	4 x M6x22
100	GP-LK40-L15#K	40	11	15 L	8	40	35	22x1,5	6,5	4 x M6x22
100	GP-LK40-L18#K	40	14	18 L	8	40	35	26x1,5	6,5	4 x M6x22
100	GP-LK40-L22#K	40	18	22 L	8	40	35	30x2	6,5	4 x M6x22
100	GP-LK40-L28#K	40	18	28 L	8	40	35	36x2	6,5	4 x M6x22
100	GP-LK55-L28#K	55	25	28 L	12	55	40	36x2	8,5	4 x M8x25
100	GP-LK55-L35#K	55	25	35 L	12	55	50	45x2	8,5	4 x M8x25
250	GP-LK55-S20#K	55	16	20 S	12	55	35	30x2	8,5	4 x M8x25

¹ The maximum working pressure applies only to the flange itself. The actual maximum working pressure depends on the thickness and the quality of the tube used.

4-hole 90° Flange Connection with 24° Cone Connector (acc. to ISO 8434-1 / DIN 2353)
WP-LK-L/S
Order Codes

★ 4-Hole 90° Flange Connection with 24° Cone Connector **WP-LK...-L/S...#K**

Including Metric bolts 8.8, spring rings and O-ring made of NBR (Buna-N®) (packed in kits)



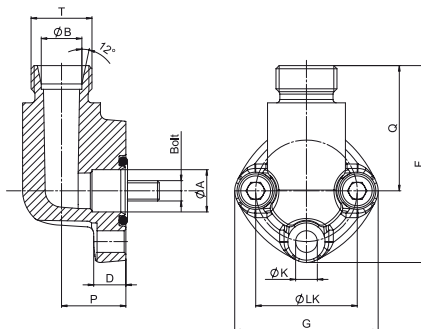
**Material
Surface**

S355J0 or equivalent
ZnNi

PN (bar) ¹	Order Codes	Dimensions (mm)										Bolts Metr.
		Ø LK	Ø A	Ø B	D	F	G	P	Q	T (Metric)	Ø K	
8.8												
315	WP-LK35-L10#K	35	14	10 L	8	57	39	16,5	37,5	16x1,5	6,4	2 x M6x22 2 x M6x35
315	WP-LK35-L12#K	35	14	12 L	8	57	39	16,5	37,5	18x1,5	6,4	2 x M6x22 2 x M6x35
250	WP-LK35-L15#K	35	14	15 L	8	56,5	39	16,5	37,5	22x1,5	6,4	2 x M6x22 2 x M6x35
250	WP-LK35-L18#K	35	15	18 L	10	57	39	20	37,5	26x1,5	6,4	2 x M6x22 2 x M6x40
315	WP-LK35-S16#K	35	15	16 S	8	57,5	39	20	38	24x1,5	6,4	2 x M6x22 2 x M6x40
315	WP-LK35-S20#K	35	15	20 S	9	64,5	39	25	45	30x2	6,4	2 x M6x22 2 x M6x45
100	WP-LK40-L15#K	40	20	15 L	8,5	58	42	22,5	37	22x1,5	6,4	4 x M6x22
100	WP-LK40-L18#K	40	20	18 L	9	59	42	22,5	38	26x1,5	6,4	4 x M6x22
100	WP-LK40-L22#K	40	20	22 L	9	59	42	22,5	38	30x2	6,4	4 x M6x22
100	WP-LK40-L28#K	40	20	28 L	9	61	42	28	40	36x2	6,4	2 x M6x22 2 x M6x50
100	WP-LK40-L35#K	40	20	35 L	9	62	42	34	41	45x2	6,4	2 x M6x22 2 x M6x60
250	WP-LK40-S20#K	40	20	20 S	12	61	42	22,5	40	30x2	6,4	2 x M6x22 2 x M6x45
100	WP-LK55-L35#K	55	26,5	35 L	12	78	58	32	49	45x2	8,4	2 x M8x25 2 x M8x60
100	WP-LK55-L42#K	55	26,5	42 L	13	78	58	40	49	52x2	8,4	2 x M8x25 2 x M8x70
250	WP-LK55-S20#K	55	18	20 S	13	69	58	24	45	30x2	8,4	2 x M8x25 2 x M8x50
250	WP-LK55-S25#K	55	26,5	25 S	13	78	58	30	49	36x2	8,4	2 x M8x25 2 x M8x55
250	WP-LK55-S30#K	55	26,5	30 S	12	78	58	32	49	42x2	8,4	2 x M8x25 2 x M8x50

¹ The maximum working pressure applies only to the flange itself. The actual maximum working pressure depends on the thickness and the quality of the tube used.

**3-hole 90° Flange Connection with 24° Cone Connector (acc. to ISO 8434-1 / DIN 2353)
WP-3-LK-L/S**



Order Codes

★ 3-Hole 90° Flange Connection with 24° Cone Connector **WP-3-LK...-L/S...#K**

Including Metric bolts 8.8, spring rings and O-ring made of NBR (Buna-N®) (packed in kits)

Material S355J0 or equivalent
Surface ZnNi

PN (bar) ¹	Order Codes	Dimensions (mm)										Bolts
		Ø LK	Ø A	Ø B	D	F	G	P	Q	T (Metric)	Ø K	
250	WP-3-LK30-L12#K	30	12,5	12 L	9,5	58	42,5	19	37	18x1,5	6,4	3 x M6x25
250	WP-3-LK30-L15#K	30	12,5	15 L	9,5	58	42,5	19	37	22x1,5	6,4	3 x M6x25
160	WP-3-LK40-L22#K	40	19	22 L	13,5	70	54	25	43	30x2	8,4	3 x M8x30
160	WP-3-LK40-L28#K	40	19	28 L	13,5	70	54	25	43	36x2	8,4	3 x M8x30

¹ The maximum working pressure applies only to the flange itself. The actual maximum working pressure depends on the thickness and the quality of the tube used.

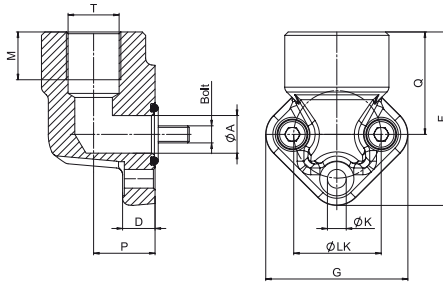
3-hole 90° Screw-in BSPP Threaded Flange WP-3-LK-G

Order Codes

★ 3-Hole 90° Screw-in
BSPP Threaded Flange

WP-3-LK...-G...#K

Including Metric bolts 8.8, spring rings and
O-ring made of NBR (Buna-N®) (packed in kits)



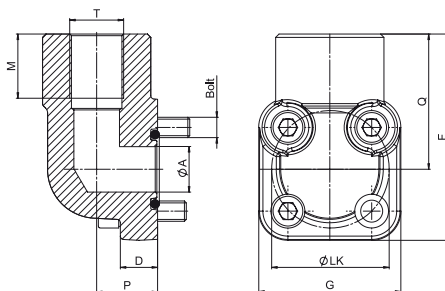
Material
Surface

S355J0 or equivalent
CrVI-free - gradual adaptation to ZnNi

PN (bar) ¹	Order Codes	Dimensions (mm)										Bolts	
		Ø LK	Ø A	D	F	G	M	P	Q	T (BSPP)	Ø K	Metr.	
300	WP-3-LK26-G038#K	26	11,5	9,5	51	42	14	18	30	3/8	5,5	3 x M5x20	
300	WP-3-LK26-G012#K	26	11,5	9,5	51	42	14	18	30	1/2	5,5	3 x M5x20	
300	WP-3-LK30-G038#K	30	11,5	9,5	51	42	14	18	30	3/8	6,5	3 x M6x20	
300	WP-3-LK30-G012#K	30	11,5	9,5	51	42	14	18	30	1/2	6,5	3 x M6x20	
300	WP-3-LK40-G012#K	40	20	11,5	68	61	18	21	38	1/2	8,5	3 x M8x25	
300	WP-3-LK40-G034#K	40	20	11,5	68	61	22	21	38	3/4	8,5	3 x M8x25	
300	WP-3-LK51-G034#K	51	25	13,5	84	75	22	27	47	3/4	10,5	3 x M10x30	
300	WP-3-LK51-G100#K	51	25	13,5	84	75	27	27	47	1	10,5	3 x M10x30	
300	WP-3-LK56-G034#K	56	34	13,5	84	75	22	27	47	3/4	10,5	3 x M10x30	
300	WP-3-LK56-G100#K	56	34	13,5	84	75	27	27	47	1	10,5	3 x M10x30	

¹ The maximum working pressure applies only to the flange itself. The actual maximum working pressure depends on the thickness and the quality of the tube used.

**4-hole 90° Screw-in BSPP Threaded Flange
WP-LK-G**



Order Codes

★ 4-Hole 90° Screw-in
BSPP Threaded Flange

WP-LK...-G...#K

Including Metric bolts 8.8, spring rings and
O-ring made of NBR (Buna-N®) (packed in kits)

Material S355J0 or equivalent
Surface CrVI-free - gradual adaptation to ZnNi

PN (bar) ¹	Order Codes	Dimensions (mm)										Bolts	
		Ø LK	Ø A	D	F	G	M	P	Q	T (BSPP)	Ø K		
8.8													Metr.
300	WP-LK35-G038#K	35	13,5	11	61	42	19	18	40	3/8	6,5	2 x M6x20 2 x M6x35	
300	WP-LK35-G012#K	35	13,5	11	61	42	19	18	40	1/2	6,5	2 x M6x20 2 x M6x35	
300	WP-LK40-G012#K	40	20	10	67,5	45	19	24	45	1/2	6,5	2 x M6x25 2 x M6x45	
300	WP-LK40-G034#K	40	20	10	67,5	45	20	24	45	3/4	6,5	2 x M6x25 2 x M6x45	
300	WP-LK40-G100#K	40	20	10	67,5	45	22	24	45	1	6,5	3 x M6x25 2 x M6x55	
250	WP-LK55-G100#K	55	25	13	83,5	59	22	35	54	1	8,5	2 x M8x25 2 x M8x60	
250	WP-LK55-G114#K	55	25	13	83,5	59	25	35	54	1-1/4	8,5	3 x M8x25 2 x M8x70	

¹ The maximum working pressure applies only to the flange itself. The actual maximum working pressure depends on the thickness and the quality of the tube used.

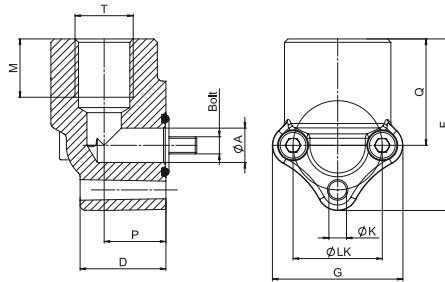
3-hole 90° Screw-in BSPP Threaded Flange (Aluminium) WP-3-LK-G-W50

Order Codes

★ 3-Hole 90° Screw-in
BSPP Threaded Flange

WP-3-LK...-G...W50#K

Including Metric bolts 8.8, spring rings and
O-ring made of NBR (Buna-N®) (packed in kits)



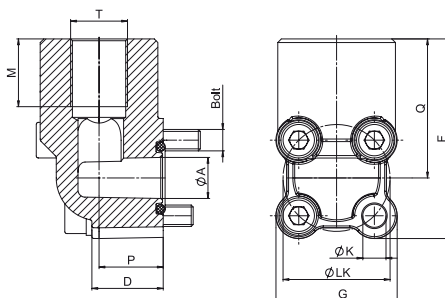
Material

Aluminium [EN AC-Al Si9Cu(Fe)]

PN (bar) ¹	Order Codes	Dimensions (mm)										Bolts	
		Ø LK	Ø A	D	F	G	M	P	Q	T (BSPP)	Ø K	Metr.	
180	WP-3-LK26-G038-W50#K	26	10	25	50	38	17	18	31	3/8	6	3 x M5x35	
180	WP-3-LK26-G012-W50#K	26	10	25	50	38	18	18	31	1/2	6	3 x M5x35	
180	WP-3-LK30-G038-W50#K	30	12,5	26	53	40	17	18	31	3/8	7	3 x M6x35	
180	WP-3-LK30-G012-W50#K	30	12,5	26	53	44	18	18	31	1/2	7	3 x M6x35	
180	WP-3-LK40-G012-W50#K	40	18	31	68	56	18	21,5	40	1/2	9,5	3 x M8x45	
180	WP-3-LK40-G034-W50#K	40	18	31	68	56	22	21,5	40	3/4	9,5	3 x M8x45	
180	WP-3-LK51-G034-W50#K	51-56	24,5	42	85	78	22	26	46	3/4	11	3 x M10x60	
180	WP-3-LK51-G100-W50#K	51-56	24,5	42	85	78	27	26	46	1	11	3 x M10x60	

¹ The maximum working pressure applies only to the flange itself. The actual maximum working pressure depends on the thickness and the quality of the tube used.

4-hole 90° Screw-in BSPP Threaded Flange (Aluminium)
WP-LK-G-W50



Order Codes

★ 4-Hole 90° Screw-in
 BSPP Threaded Flange

WP-LK...-G...W50#K

Including Metric bolts 8.8, spring rings and
 O-ring made of NBR (Buna-N®) (packed in kits)

Material Aluminium [EN AC-Al Si9Cu(Fe)]

PN (bar) ¹	Order Codes	Dimensions (mm)										Bolts
		Ø LK	Ø A	D	F	G	M	P	Q	T (BSPP)	Ø K	
8.8												Metr.
180	WP-LK30-G038-W50#K	30	11,5	20	56	34	19	18	39	3/8	6,5	2 x M6x30 2 x M6x40
180	WP-LK30-G012-W50#K	30	11,5	20	56	34	19	18	39	1/2	6,5	2 x M6x30 2 x M6x40
180	WP-LK35-G038-W50#K	35	14	20	61,5	38	19	18	42,5	3/8	6,5	2 x M6x30 2 x M6x40
180	WP-LK35-G012-W50#K	35	14	20	61,5	38	19	18	42,5	1/2	6,5	2 x M6x30 2 x M6x40
180	WP-LK40-G012-W50#K	40	18	28	69	43	19	24	47,5	1/2	6,5	2 x M6x40 2 x M6x50
180	WP-LK40-G034-W50#K	40	18	28	69	43	20	24	47,5	3/4	6,5	2 x M6x40 2 x M6x50
180	WP-LK55-G034-W50#K	55	24,5	31	83	58	20	29	54	3/4	8,5	2 x M8x45 2 x M8x60
180	WP-LK55-G100-W50#K	55	24,5	31	83	58	22	29	54	1	8,5	2 x M8x45 2 x M8x60

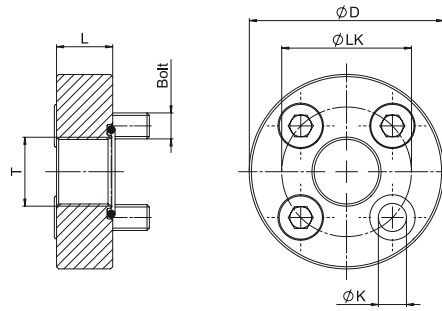
¹ The maximum working pressure applies only to the flange itself. The actual maximum working pressure depends on the thickness and the quality of the tube used.

**4-hole Screw-in BSPP Threaded Flange (Flat Style)
GP-FL-LK-G**
Order Codes

★ 4-Hole Screw-in BSPP
Threaded Flange (Flat Style)

GP-FL-LK...-G...#K

Including Metric bolts 8.8, spring rings and
O-ring made of NBR (Buna-N®) (packed in kits)



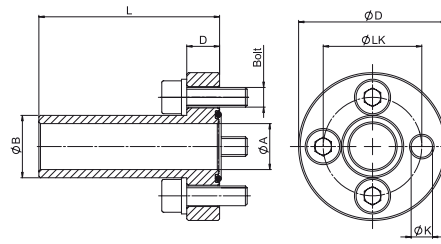
**Material
Surface**

S355J0 or equivalent
CrVI-free

PN (bar) ¹	Order Codes	Dimensions (mm)					Bolts
		Ø LK	Ø D	L	T (BSPP)	Ø K	
8.8							Metr.
250	GP-FL-LK30-G038#K	30	45	13	3/8	6,5	M6x16
250	GP-FL-LK40-G012#K	40	58	15	1/2	8,5	M8x20
250	GP-FL-LK51-G034#K	51	75	18	3/4	10,5	M10x25
250	GP-FL-LK56-G034#K	56	75	18	3/4	10,5	M10x25
180	GP-FL-LK62-G100#K	62	88	20	1	10,5	M10x25
180	GP-FL-LK62-G100-M12#K	62	88	20	1	12,5	M12x25
180	GP-FL-LK72,5-G114#K	72,5	98	22	1-1/4	12,5	M12x30

¹ The maximum working pressure applies only to the flange itself. The actual maximum working pressure depends on the thickness and the quality of the tube used.

4-hole Butt Weld Flange
GP-LK...-ST.../...#K



Material S355J0 or equivalent
Surface: blank, oiled

Order Codes

★ 4-Hole Butt Weld Flange **GP-LK...-ST.../...#K**

including Metric bolts 8.8, spring rings and O-ring made of NBR (Buna-N®) (packed in kits)

PN (bar) ¹	Order Codes	Dimensions (mm)							Bolts
		Ø LK	Ø A	Ø B	D	Ø D	L	Ø K	
8.8									Metr.
250	GP-LK30-ST-19/14#K	30	14	19	10	45	55	6,5	M6x20
250	GP-LK40-ST-25,4/19#K	40	19	25,4	12	58	60	8,5	M8x25
250	GP-LK51-ST-32/24,5#K	51	24,5	32	16	76	72	10,5	M10x35
250	GP-LK56-ST-32/24,5#K	56	24,5	32	16	76	72	10,5	M10x35

¹ The maximum working pressure applies only to the flange itself. The actual maximum working pressure depends on the thickness and the quality of the tube used.

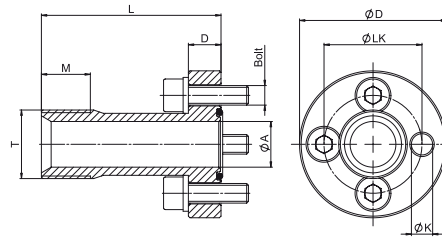
4-hole Fitting Flange with BSP 60° Cone Connector (acc. to BS 5200) GP-LK...-AG...#K

Order Codes

★ 4-Hole Fitting Flange
with 60° Cone Connector

GP-LK...-AG...#K

Including Metric bolts 8.8, spring rings and
O-ring made of NBR (Buna-N®) (packed in kits)



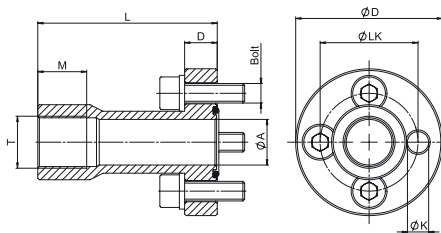
Material
Surface

S355J0 or equivalent
CrVI-free

PN (bar) ¹	Order Codes	Dimensions (mm)								Bolts
		Ø LK	Ø A	D	Ø D	L	M	T (BSPP)	Ø K	
8.8										Metr.
250	GP-LK30-AG012#K	30	14	10	45	55	15	1/2	6,5	M6x20
250	GP-LK40-AG034#K	40	19	12	58	60	16	3/4	8,5	M8x25
250	GP-LK51-AG100#K	51	24	16	76	72	19	1	10,5	M10x35
250	GP-LK56-AG100#K	56	24	16	76	72	19	1	10,5	M10x35

¹ The maximum working pressure applies only to the flange itself. The actual maximum working pressure depends on the thickness and the quality of the tube used.

**4-hole Screw-in BSPP Threaded Flange
GP-LK...-G...#K**



Order Codes

★ 4-Hole Screw-in BSPP Threaded Flange **GP-LK...-G...#K**

Including Metric bolts 8.8, spring rings and O-ring made of NBR (Buna-N®) (packed in kits)

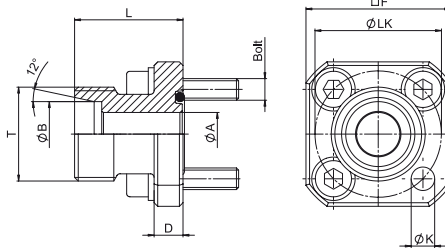
Material: S355J0 or equivalent
Surface: CrVI-free

PN (bar) ¹	Order Codes	Dimensions (mm)								Bolts
		Ø LK	Ø A	D	Ø D	L	M	T (BSPP)	Ø K	
8.8										Metr.
250	GP-LK30-G038#K	30	14	10	45	55	15	3/8	6,5	M6x20
250	GP-LK40-G012#K	40	19	12	58	60	16	1/2	8,5	M8x25
250	GP-LK51-G034#K	51	24,5	16	76	72	19	3/4	10,5	M10x35
250	GP-LK56-G034#K	56	24,5	16	76	72	19	3/4	10,5	M10x35

¹ The maximum working pressure applies only to the flange itself. The actual maximum working pressure depends on the thickness and the quality of the tube used.

4-hole Flange Connection with 24° Cone Connector (acc. to ISO 8434-1 / DIN 2353)

GP-LK-L/S



Order Codes

★ 4-Hole Flange Connection with 24° Cone Connector **GP-LK...-L/S...#K**

Including Metric bolts 8.8, spring rings and O-ring made of NBR (Buna-N®) (packed in kits)

Material S355J0 or equivalent
Surface ZnNi

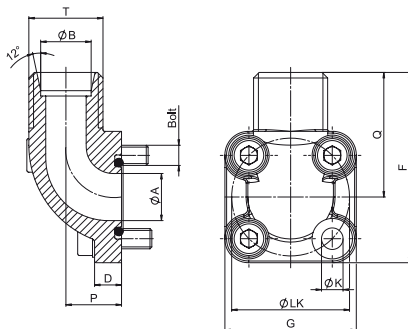
PN (bar) ¹	Order Codes	Dimensions (mm)								Bolts
		Ø LK	Ø A	Ø B	D	F	L	T (Metric)	Ø K	Metr.
8.8										
315	GP-LK35-L10#K	35	7	10 L	8	40	30	16x1,5	6,5	4 x M6x22
315	GP-LK35-L12#K	35	9	12 L	8	40	30	18x1,5	6,5	4 x M6x22
250	GP-LK35-L15#K	35	11	15 L	8	40	30	22x1,5	6,5	4 x M6x22
250	GP-LK35-L18#K	35	12	18 L	8	40	30	26x1,5	6,5	4 x M6x22
315	GP-LK35-S16#K	35	12	16 S	8	40	30	24x1,5	6,5	4 x M6x22
100	GP-LK40-L15#K	40	11	15 L	8	40	35	22x1,5	6,5	4 x M6x22
100	GP-LK40-L18#K	40	14	18 L	8	40	35	26x1,5	6,5	4 x M6x22
100	GP-LK40-L22#K	40	18	22 L	8	40	35	30x2	6,5	4 x M6x22
100	GP-LK40-L28#K	40	18	28 L	8	40	35	36x2	6,5	4 x M6x22
100	GP-LK55-L28#K	55	25	28 L	12	55	40	36x2	8,5	4 x M8x25
100	GP-LK55-L35#K	55	25	35 L	12	55	50	45x2	8,5	4 x M8x25
250	GP-LK55-S20#K	55	16	20 S	12	55	35	30x2	8,5	4 x M8x25

¹ The maximum working pressure applies only to the flange itself. The actual maximum working pressure depends on the thickness and the quality of the tube used.

4-hole 90° Flange Connection with 24° Cone Connector (acc. to ISO 8434-1 / DIN 2353)
WP-LK-L/S
Order Codes

★ 4-Hole 90° Flange Connection with 24° Cone Connector **WP-LK...-L/S...#K**

Including Metric bolts 8.8, spring rings and O-ring made of NBR (Buna-N®) (packed in kits)



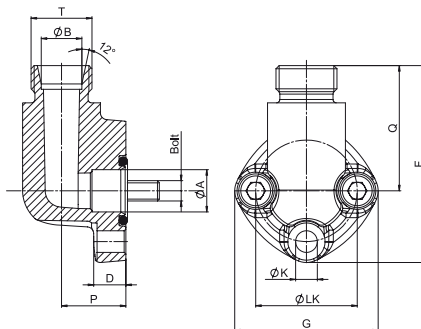
Material Surface

S355J0 or equivalent
ZnNi

PN (bar) ¹	Order Codes	Dimensions (mm)										Bolts Metr.
		Ø LK	Ø A	Ø B	D	F	G	P	Q	T (Metric)	Ø K	
8.8												
315	WP-LK35-L10#K	35	14	10 L	8	57	39	16,5	37,5	16x1,5	6,4	2 x M6x22 2 x M6x35
315	WP-LK35-L12#K	35	14	12 L	8	57	39	16,5	37,5	18x1,5	6,4	2 x M6x22 2 x M6x35
250	WP-LK35-L15#K	35	14	15 L	8	56,5	39	16,5	37,5	22x1,5	6,4	2 x M6x22 2 x M6x35
250	WP-LK35-L18#K	35	15	18 L	10	57	39	20	37,5	26x1,5	6,4	2 x M6x22 2 x M6x40
315	WP-LK35-S16#K	35	15	16 S	8	57,5	39	20	38	24x1,5	6,4	2 x M6x22 2 x M6x40
315	WP-LK35-S20#K	35	15	20 S	9	64,5	39	25	45	30x2	6,4	2 x M6x22 2 x M6x45
100	WP-LK40-L15#K	40	20	15 L	8,5	58	42	22,5	37	22x1,5	6,4	4 x M6x22
100	WP-LK40-L18#K	40	20	18 L	9	59	42	22,5	38	26x1,5	6,4	4 x M6x22
100	WP-LK40-L22#K	40	20	22 L	9	59	42	22,5	38	30x2	6,4	4 x M6x22
100	WP-LK40-L28#K	40	20	28 L	9	61	42	28	40	36x2	6,4	2 x M6x22 2 x M6x50
100	WP-LK40-L35#K	40	20	35 L	9	62	42	34	41	45x2	6,4	2 x M6x22 2 x M6x60
250	WP-LK40-S20#K	40	20	20 S	12	61	42	22,5	40	30x2	6,4	2 x M6x22 2 x M6x45
100	WP-LK55-L35#K	55	26,5	35 L	12	78	58	32	49	45x2	8,4	2 x M8x25 2 x M8x60
100	WP-LK55-L42#K	55	26,5	42 L	13	78	58	40	49	52x2	8,4	2 x M8x25 2 x M8x70
250	WP-LK55-S20#K	55	18	20 S	13	69	58	24	45	30x2	8,4	2 x M8x25 2 x M8x50
250	WP-LK55-S25#K	55	26,5	25 S	13	78	58	30	49	36x2	8,4	2 x M8x25 2 x M8x55
250	WP-LK55-S30#K	55	26,5	30 S	12	78	58	32	49	42x2	8,4	2 x M8x25 2 x M8x50

¹ The maximum working pressure applies only to the flange itself. The actual maximum working pressure depends on the thickness and the quality of the tube used.

**3-hole 90° Flange Connection with 24° Cone Connector (acc. to ISO 8434-1 / DIN 2353)
WP-3-LK-L/S**



Order Codes

★ 3-Hole 90° Flange Connection with 24° Cone Connector **WP-3-LK...-L/S...#K**

Including Metric bolts 8.8, spring rings and O-ring made of NBR (Buna-N®) (packed in kits)

Material S355J0 or equivalent
Surface ZnNi

PN (bar) ¹	Order Codes	Dimensions (mm)										Bolts
		Ø LK	Ø A	Ø B	D	F	G	P	Q	T (Metric)	Ø K	Metr.
250	WP-3-LK30-L12#K	30	12,5	12 L	9,5	58	42,5	19	37	18x1,5	6,4	3 x M6x25
250	WP-3-LK30-L15#K	30	12,5	15 L	9,5	58	42,5	19	37	22x1,5	6,4	3 x M6x25
160	WP-3-LK40-L22#K	40	19	22 L	13,5	70	54	25	43	30x2	8,4	3 x M8x30
160	WP-3-LK40-L28#K	40	19	28 L	13,5	70	54	25	43	36x2	8,4	3 x M8x30

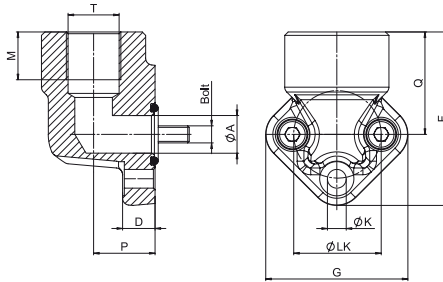
¹ The maximum working pressure applies only to the flange itself. The actual maximum working pressure depends on the thickness and the quality of the tube used.

**3-hole 90° Screw-in BSPP Threaded Flange
WP-3-LK-G**
Order Codes

★ 3-Hole 90° Screw-in
BSPP Threaded Flange

WP-3-LK...-G...#K

Including Metric bolts 8.8, spring rings and
O-ring made of NBR (Buna-N®) (packed in kits)



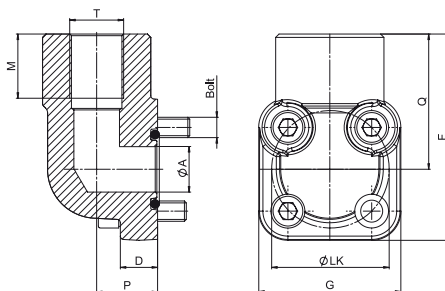
**Material
Surface**

S355J0 or equivalent
CrVI-free - gradual adaptation to ZnNi

PN (bar) ¹	Order Codes	Dimensions (mm)										Bolts	
		Ø LK	Ø A	D	F	G	M	P	Q	T (BSPP)	Ø K	Metr.	
300	WP-3-LK26-G038#K	26	11,5	9,5	51	42	14	18	30	3/8	5,5	3 x M5x20	
300	WP-3-LK26-G012#K	26	11,5	9,5	51	42	14	18	30	1/2	5,5	3 x M5x20	
300	WP-3-LK30-G038#K	30	11,5	9,5	51	42	14	18	30	3/8	6,5	3 x M6x20	
300	WP-3-LK30-G012#K	30	11,5	9,5	51	42	14	18	30	1/2	6,5	3 x M6x20	
300	WP-3-LK40-G012#K	40	20	11,5	68	61	18	21	38	1/2	8,5	3 x M8x25	
300	WP-3-LK40-G034#K	40	20	11,5	68	61	22	21	38	3/4	8,5	3 x M8x25	
300	WP-3-LK51-G034#K	51	25	13,5	84	75	22	27	47	3/4	10,5	3 x M10x30	
300	WP-3-LK51-G100#K	51	25	13,5	84	75	27	27	47	1	10,5	3 x M10x30	
300	WP-3-LK56-G034#K	56	34	13,5	84	75	22	27	47	3/4	10,5	3 x M10x30	
300	WP-3-LK56-G100#K	56	34	13,5	84	75	27	27	47	1	10,5	3 x M10x30	

¹ The maximum working pressure applies only to the flange itself. The actual maximum working pressure depends on the thickness and the quality of the tube used.

**4-hole 90° Screw-in BSPP Threaded Flange
WP-LK-G**



Order Codes

★ 4-Hole 90° Screw-in
BSPP Threaded Flange

WP-LK...-G...#K

Including Metric bolts 8.8, spring rings and
O-ring made of NBR (Buna-N®) (packed in kits)

Material S355J0 or equivalent
Surface CrVI-free - gradual adaptation to ZnNi

PN (bar) ¹	Order Codes	Dimensions (mm)										Bolts	
		Ø LK	Ø A	D	F	G	M	P	Q	T (BSPP)	Ø K		
8.8													Metr.
300	WP-LK35-G038#K	35	13,5	11	61	42	19	18	40	3/8	6,5	2 x M6x20 2 x M6x35	
300	WP-LK35-G012#K	35	13,5	11	61	42	19	18	40	1/2	6,5	2 x M6x20 2 x M6x35	
300	WP-LK40-G012#K	40	20	10	67,5	45	19	24	45	1/2	6,5	2 x M6x25 2 x M6x45	
300	WP-LK40-G034#K	40	20	10	67,5	45	20	24	45	3/4	6,5	2 x M6x25 2 x M6x45	
300	WP-LK40-G100#K	40	20	10	67,5	45	22	24	45	1	6,5	3 x M6x25 2 x M6x55	
250	WP-LK55-G100#K	55	25	13	83,5	59	22	35	54	1	8,5	2 x M8x25 2 x M8x60	
250	WP-LK55-G114#K	55	25	13	83,5	59	25	35	54	1-1/4	8,5	3 x M8x25 2 x M8x70	

¹ The maximum working pressure applies only to the flange itself. The actual maximum working pressure depends on the thickness and the quality of the tube used.

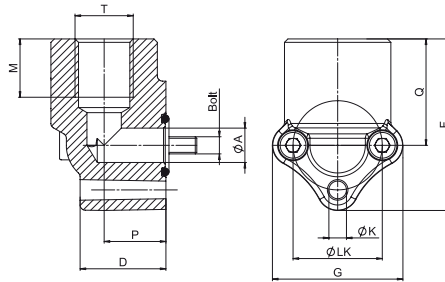
3-hole 90° Screw-in BSPP Threaded Flange (Aluminium) WP-3-LK-G-W50

Order Codes

★ 3-Hole 90° Screw-in
BSPP Threaded Flange

WP-3-LK...-G...W50#K

Including Metric bolts 8.8, spring rings and
O-ring made of NBR (Buna-N®) (packed in kits)



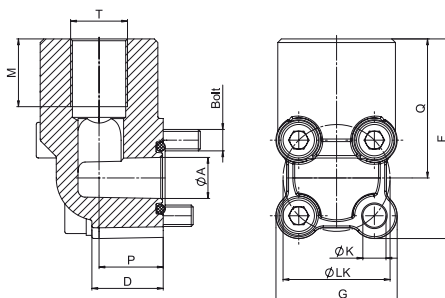
Material

Aluminium [EN AC-Al Si9Cu(Fe)]

PN (bar) ¹	Order Codes	Dimensions (mm)										Bolts	
		Ø LK	Ø A	D	F	G	M	P	Q	T (BSPP)	Ø K	Metr.	
180	WP-3-LK26-G038-W50#K	26	10	25	50	38	17	18	31	3/8	6	3 x M5x35	
180	WP-3-LK26-G012-W50#K	26	10	25	50	38	18	18	31	1/2	6	3 x M5x35	
180	WP-3-LK30-G038-W50#K	30	12,5	26	53	40	17	18	31	3/8	7	3 x M6x35	
180	WP-3-LK30-G012-W50#K	30	12,5	26	53	44	18	18	31	1/2	7	3 x M6x35	
180	WP-3-LK40-G012-W50#K	40	18	31	68	56	18	21,5	40	1/2	9,5	3 x M8x45	
180	WP-3-LK40-G034-W50#K	40	18	31	68	56	22	21,5	40	3/4	9,5	3 x M8x45	
180	WP-3-LK51-G034-W50#K	51-56	24,5	42	85	78	22	26	46	3/4	11	3 x M10x60	
180	WP-3-LK51-G100-W50#K	51-56	24,5	42	85	78	27	26	46	1	11	3 x M10x60	

¹ The maximum working pressure applies only to the flange itself. The actual maximum working pressure depends on the thickness and the quality of the tube used.

4-hole 90° Screw-in BSPP Threaded Flange (Aluminium)
WP-LK-G-W50



Order Codes

★ 4-Hole 90° Screw-in
 BSPP Threaded Flange

WP-LK...-G...W50#K

Including Metric bolts 8.8, spring rings and
 O-ring made of NBR (Buna-N®) (packed in kits)

Material Aluminium [EN AC-Al Si9Cu(Fe)]

PN (bar) ¹	Order Codes	Dimensions (mm)										Bolts
		Ø LK	Ø A	D	F	G	M	P	Q	T (BSPP)	Ø K	
8.8												Metr.
180	WP-LK30-G038-W50#K	30	11,5	20	56	34	19	18	39	3/8	6,5	2 x M6x30 2 x M6x40
180	WP-LK30-G012-W50#K	30	11,5	20	56	34	19	18	39	1/2	6,5	2 x M6x30 2 x M6x40
180	WP-LK35-G038-W50#K	35	14	20	61,5	38	19	18	42,5	3/8	6,5	2 x M6x30 2 x M6x40
180	WP-LK35-G012-W50#K	35	14	20	61,5	38	19	18	42,5	1/2	6,5	2 x M6x30 2 x M6x40
180	WP-LK40-G012-W50#K	40	18	28	69	43	19	24	47,5	1/2	6,5	2 x M6x40 2 x M6x50
180	WP-LK40-G034-W50#K	40	18	28	69	43	20	24	47,5	3/4	6,5	2 x M6x40 2 x M6x50
180	WP-LK55-G034-W50#K	55	24,5	31	83	58	20	29	54	3/4	8,5	2 x M8x45 2 x M8x60
180	WP-LK55-G100-W50#K	55	24,5	31	83	58	22	29	54	1	8,5	2 x M8x45 2 x M8x60

¹ The maximum working pressure applies only to the flange itself. The actual maximum working pressure depends on the thickness and the quality of the tube used.

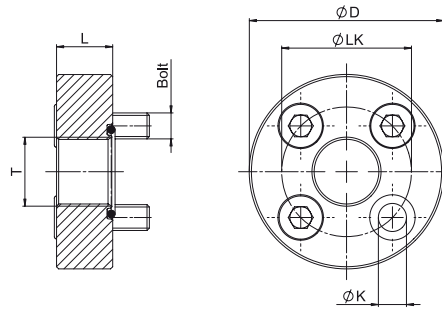
4-hole Screw-in BSPP Threaded Flange (Flat Style) GP-FL-LK-G

Order Codes

★ 4-Hole Screw-in BSPP
Threaded Flange (Flat Style)

GP-FL-LK...-G...#K

Including Metric bolts 8.8, spring rings and
O-ring made of NBR (Buna-N®) (packed in kits)



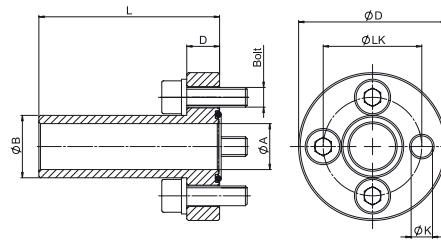
**Material
Surface**

S355J0 or equivalent
CrVI-free

PN (bar) ¹	Order Codes	Dimensions (mm)					Bolts
		Ø LK	Ø D	L	T (BSPP)	Ø K	
8.8							Metr.
250	GP-FL-LK30-G038#K	30	45	13	3/8	6,5	M6x16
250	GP-FL-LK40-G012#K	40	58	15	1/2	8,5	M8x20
250	GP-FL-LK51-G034#K	51	75	18	3/4	10,5	M10x25
250	GP-FL-LK56-G034#K	56	75	18	3/4	10,5	M10x25
180	GP-FL-LK62-G100#K	62	88	20	1	10,5	M10x25
180	GP-FL-LK62-G100-M12#K	62	88	20	1	12,5	M12x25
180	GP-FL-LK72,5-G114#K	72,5	98	22	1-1/4	12,5	M12x30

¹ The maximum working pressure applies only to the flange itself. The actual maximum working pressure depends on the thickness and the quality of the tube used.

4-hole Butt Weld Flange
GP-LK...-ST.../...#K



Material S355J0 or equivalent
Surface: blank, oiled

Order Codes

★ 4-Hole Butt Weld Flange **GP-LK...-ST.../...#K**

including Metric bolts 8.8, spring rings and
 O-ring made of NBR (Buna-N®) (packed in kits)

PN (bar) ¹	Order Codes	Dimensions (mm)							Bolts
		Ø LK	Ø A	Ø B	D	Ø D	L	Ø K	
8.8									Metr.
250	GP-LK30-ST-19/14#K	30	14	19	10	45	55	6,5	M6x20
250	GP-LK40-ST-25,4/19#K	40	19	25,4	12	58	60	8,5	M8x25
250	GP-LK51-ST-32/24,5#K	51	24,5	32	16	76	72	10,5	M10x35
250	GP-LK56-ST-32/24,5#K	56	24,5	32	16	76	72	10,5	M10x35

¹ The maximum working pressure applies only to the flange itself. The actual maximum working pressure depends on the thickness and the quality of the tube used.

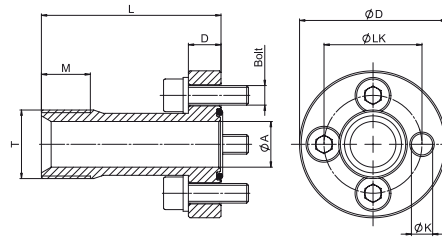
4-hole Fitting Flange with BSP 60° Cone Connector (acc. to BS 5200) GP-LK...-AG...#K

Order Codes

★ 4-Hole Fitting Flange
with 60° Cone Connector

GP-LK...-AG...#K

Including Metric bolts 8.8, spring rings and
O-ring made of NBR (Buna-N®) (packed in kits)



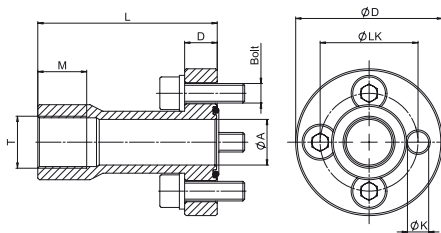
Material
Surface

S355J0 or equivalent
CrVI-free

PN (bar) ¹	Order Codes	Dimensions (mm)								Bolts
		Ø LK	Ø A	D	Ø D	L	M	T (BSPP)	Ø K	
8.8										Metr.
250	GP-LK30-AG012#K	30	14	10	45	55	15	1/2	6,5	M6x20
250	GP-LK40-AG034#K	40	19	12	58	60	16	3/4	8,5	M8x25
250	GP-LK51-AG100#K	51	24	16	76	72	19	1	10,5	M10x35
250	GP-LK56-AG100#K	56	24	16	76	72	19	1	10,5	M10x35

¹ The maximum working pressure applies only to the flange itself. The actual maximum working pressure depends on the thickness and the quality of the tube used.

**4-hole Screw-in BSPP Threaded Flange
GP-LK...-G...#K**



Order Codes

★ 4-Hole Screw-in BSPP
Threaded Flange

GP-LK...-G...#K

Including Metric bolts 8.8, spring rings and
O-ring made of NBR (Buna-N®) (packed in kits)

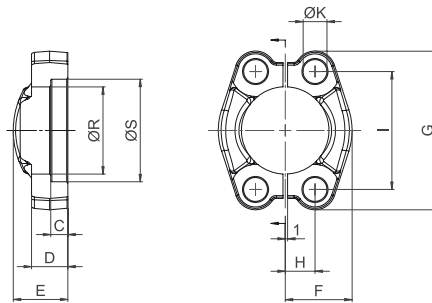
Material: S355J0 or equivalent
Surface: CrVI-free

PN (bar) ¹	Order Codes	Dimensions (mm)								Bolts
		Ø LK	Ø A	D	Ø D	L	M	T (BSPP)	Ø K	
8.8										Metr.
250	GP-LK30-G038#K	30	14	10	45	55	15	3/8	6,5	M6x20
250	GP-LK40-G012#K	40	19	12	58	60	16	1/2	8,5	M8x25
250	GP-LK51-G034#K	51	24,5	16	76	72	19	3/4	10,5	M10x35
250	GP-LK56-G034#K	56	24,5	16	76	72	19	3/4	10,5	M10x35

¹ The maximum working pressure applies only to the flange itself. The actual maximum working pressure depends on the thickness and the quality of the tube used.

SAE Split Flange Halves

DB



Material S355J0 / C45 or equivalent
Surface CrVI-free
Special Material Stainless Steel 1.4404 "-W5" on request

Order Codes

- ★ Pair of SAE Split Flange Halves **DB-...**
- ★ Including Metric bolts 8.8, **DB-...-M-B#K**
spring rings, O-ring made of
NBR (Buna-N®) (packed in kits)
- ★ Including Metric bolts 10.9, **DB-...-MH-B#K**
spring rings, O-ring made of
NBR (Buna-N®) (packed in kits)
- ★ Including UNC bolts (Gr10), **DB-...-U-B#K**
spring rings, O-ring made of
NBR (Buna-N®) (packed in kits)

3000 PSI Standard Pressure Series (according to ISO 6162-1)

PN (bar) ¹		Nominal Size		Order Codes	Dimensions (mm)										for Bolts	
8.8 Bolts	10.9 (MH) Bolts	DN	(in)		Ø R	Ø S	C	D	E	F	G	H	I	Ø K ²	Metr.	UNC
350	350	13	1/2	DB-301	24,3	31	6,2	13	19	22,8	54	8,75	38,1	8,7	M8x25	5/16-18 UNC x 1-1/4
350	350	19	3/4	DB-302	32,2	38,9	6,2	14	22	25,9	65	11,15	47,6	10,5	M10x30	3/8-16 UNC x 1-1/4
250	315	25	1	DB-303	38,5	45,3	7,5	16	24	29,2	70	13,1	52,4	10,5	M10x30	3/8-16 UNC x 1-1/4
200	250	32	1-1/4	DB-304-U	43,7	51,6	7,5	14	24	36,3	79,5	15,1	58,7	12		7/16-14 UNC x 11/2
200	250	32	1-1/4	DB-304-M12	43,7	51,6	7,5	14	24	36,3	79,5	15,1	58,7	12,5	M12x35	
200	250	32	1-1/4	DB-304-M	43,7	51,6	7,5	14	24	36,3	79,5	15,1	58,7	10,5	M10x30	
200	200	38	1-1/2	DB-305	50,8	61,1	7,5	16	25	41,1	94	17,85	69,9	13,5	M12x35	1/2-13 UNC x 1-1/2
200	200	38	1-1/2	DB-305-M14	50,8	61,1	7,5	16	25	41,1	94	17,85	69,9	14,5	M14x35	
160	200	51	2	DB-306	62,8	72,3	9	16	26	48,2	102	21,45	77,8	13,5	M12x35	1/2-13 UNC x 1-1/2
160	200	51	2	DB-306-M14	62,8	72,3	9	16	26	48,2	102	21,45	77,8	14,5	M14x35	
100	160	64	2-1/2	DB-307	74,9	84,9	9	19	38	54,1	114,5	25,4	88,9	13,5	M12x40	1/2-13 UNC x 1-1/2
100	160	64	2-1/2	DB-307-M14	74,9	84,9	9	19	38	54,1	114,5	25,4	88,9	14,5	M14x40	
100	160	76	3	DB-308	90,9	102,4	9	22	41	65,3	135	30,95	106,4	17	M16x50	5/8-11 UNC x 2
35	35	89	3-1/2	DB-309	102,4	115,1	10,7	22	28	69,6	152	34,95	120,7	17	M16x50	5/8-11 UNC x 2
35	35	102	4	DB-310	115	127,8	10,7	25	35	75,9	162	38,9	130,2	17	M16x50	5/8-11 UNC x 2
35	35	127	5	DB-311	140,5	153,2	10,7	28	41	90,4	184	46,05	152,4	17	M16x55	5/8-11 UNC x 2

6000 PSI High Pressure Series (according to ISO 6162-2)

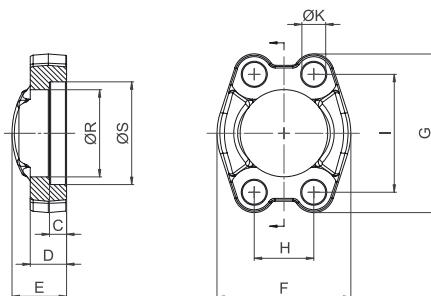
PN (bar) ¹		Nominal Size		Order Codes	Dimensions (mm)										for Bolts	
8.8 Bolts	10.9 (MH) Bolts	DN	(in)		Ø R	Ø S	C	D	E	F	G	H	I	Ø K ²	Metr.	UNC
350	400	13	1/2	DB-601	24,6	32,5	7,2	16	22	23,6	56,5	9,10	40,5	8,7	M8x30	5/16-18 UNC x 1-1/4
350	400	19	3/4	DB-602	32,5	42,0	8,2	19	28	30,0	71,0	11,90	50,8	10,5	M10x35	3/8-16 UNC x 1-1/2
350	400	25	1	DB-603-U	38,8	48,4	9,0	24	33	34,8	81,0	13,90	57,2	11,9		7/16-14 UNC x 1-1/4
350	400	25	1	DB-603-M	38,8	48,4	9,0	24	33	34,8	81,0	13,90	57,2	13,0	M12x45	
350	400	32	1-1/4	DB-604	44,5	54,8	9,8	27	38	38,6	95,0	15,90	66,6	13,5	M12x45	1/2-13 UNC x 1-3/4
350	400	32	1-1/4	DB-604-M14	44,5	54,8	9,8	27	38	38,6	95,0	15,90	66,6	15,0	M14x45	
350	400	38	1-1/2	DB-605	51,6	64,3	12,0	30	43	47,5	113,0	18,25	79,3	17,0	M16x55	5/8-11 UNC x 2
350	400	51	2	DB-606	67,6	80,2	12,0	37	52	56,9	133,0	22,25	96,8	21,0	M20x70	3/4-10 UNC x 2-1/2

¹ The maximum working pressure applies only to the flange itself and depends on the bolts used (Grade 8.8 / 10.9). The actual maximum working pressure depends on the thickness and the quality of the tube used.

² Dimensions of screw holes in part different to the ISO to match both Metric and UNC screws.

**SAE Flange Clamp
BM**
Order Codes

- ★ SAE Flange Clamp **BM-...**
- ★ Including Metric bolts 8.8, **BM-...-M-B#K**
spring rings, O-ring made of NBR (Buna-N®)
(packed in kits)
- ★ Including Metric bolts 10.9, **BM-...-MH-B#K**
spring rings, O-ring made of NBR (Buna-N®)
(packed in kits)
- ★ Including UNC bolts (Gr10), **BM-...-U-B#K**
spring rings, O-ring made of NBR (Buna-N®)
(packed in kits)



Material S355J0 / C45 or equivalent
Surface CrVI-free
Special Material Stainless Steel 1.4404 "W5" on request

3000 PSI Standard Pressure Series (according to ISO 6162-1)

PN (bar) ¹		Nominal Size		Order Codes	Dimensions (mm)										for Bolts	
8.8 Bolts	10.9 (MH) Bolts	DN	(in)		Ø R	Ø S	C	D	E	F	G	H	I	Ø K ²	Metr.	UNC
350	350	13	1/2	BM-301	24,3	31	6,2	13	19	46	54	17,5	38,1	8,7	M8x25	5/16-18 UNC x 1-1/4
350	350	19	3/4	BM-302	32,2	38,9	6,2	14	22	52	65	22,3	47,6	10,5	M10x30	3/8-16 UNC x 1-1/4
250	315	25	1	BM-303	38,5	45,3	7,5	16	24	59	70	26,2	52,4	10,5	M10x30	3/8-16 UNC x 1-1/4
200	250	32	1-1/4	BM-304-U	43,7	51,6	7,5	14	24	73	79,5	30,2	58,7	12		7/16-14 UNC x 1-1/2
200	250	32	1-1/4	BM-304-M12	43,7	51,6	7,5	14	24	73	79,5	30,2	58,7	12,5	M12x35	
200	250	32	1-1/4	BM-304-M	43,7	51,6	7,5	14	24	73	79,5	30,2	58,7	10,5	M10x30	
200	200	38	1-1/2	BM-305	50,8	61,1	7,5	16	25	83	94	35,7	69,9	13,5	M12x35	1/2-13 UNC x 1-1/2
200	200	38	1-1/2	BM-305-M14	50,8	61,1	7,5	16	25	83	94	35,7	69,9	14,5	M14x35	
160	200	51	2	BM-306	62,8	72,3	9	16	26	97	102	42,9	77,8	13,5	M12x35	1/2-13 UNC x 1-1/2
160	200	51	2	BM-306-M14	62,8	72,3	9	16	26	97	102	42,9	77,8	14,5	M14x35	
100	160	64	2-1/2	BM-307	74,9	84,9	9	19	38	109	114,5	50,8	88,9	13,5	M12x40	1/2-13 UNC x 1-1/2
100	160	64	2-1/2	BM-307-M14	74,9	84,9	9	19	38	109	114,5	50,8	88,9	14,5	M14x40	
100	160	76	3	BM-308	90,9	102,4	9	22	41	131	135	61,9	106,4	17	M16x50	5/8-11 UNC x 2
35	35	89	3-1/2	BM-309	102,4	115,1	10,7	22	28	140	152	69,9	120,7	17	M16x50	5/8-11 UNC x 2
35	35	102	4	BM-310	115,0	127,8	10,7	25	35	152	162	77,8	130,2	17	M16x50	5/8-11 UNC x 2
35	35	127	5	BM-311	140,5	153,2	10,7	28	41	181	184	92,1	152,4	17	M16x55	5/8-11 UNC x 2

6000 PSI High Pressure Series (according to ISO 6162-2)

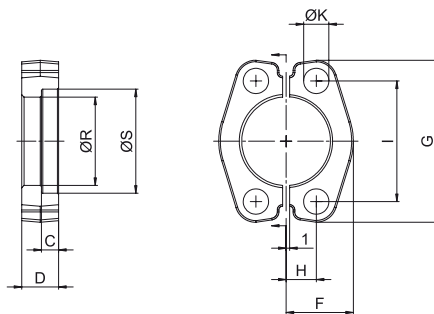
PN (bar) ¹		Nominal Size		Order Codes	Dimensions (mm)										for Bolts	
8.8 Bolts	10.9 (MH) Bolts	DN	(in)		Ø R	Ø S	C	D	E	F	G	H	I	Ø K ²	Metr.	UNC
350	400	13	1/2	BM-601	24,6	32,5	7,2	16	22	48	56,5	18,2	40,5	8,7	M 8	5/16-18 UNC x 1-1/4
350	400	19	3/4	BM-602	32,5	42	8,2	19	28	60	71	23,8	50,8	10,5	M 10	3/8-16 UNC x 1-1/2
350	400	25	1	BM-603-U	38,8	48,4	9	24	33	70	81	27,8	57,2	12		7/16-14 UNC x 1-1/4
350	400	25	1	BM-603-M	38,8	48,4	9	24	33	70	81	27,8	57,2	13	M 12	
350	400	32	1-1/4	BM-604	44,5	54,8	9,8	27	38	78	95	31,8	66,6	13,5	M 12	1/2-13 UNC x 1-3/4
350	400	32	1-1/4	BM-604-M14	44,5	54,8	9,8	27	38	78	95	31,8	66,6	15	M 14	
350	400	38	1-1/2	BM-605	51,6	64,3	12	30	43	95	113	36,5	79,3	17	M 16	5/8-11 UNC x 2
350	400	51	2	BM-606	67,6	80,2	12	37	52	114	133	44,5	96,8	21	M 20	3/4-10 UNC x 2-1/2

¹ The maximum working pressure applies only to the flange itself and depends on the bolts used (Grade 8.8 / 10.9). The actual maximum working pressure depends on the thickness and the quality of the tube used.

² Dimensions of screw holes in part different to the ISO to match both Metric and UNC screws.

SAE Split Flange Halves (Flat Style)

DB-FL



Material C60 / C55 or equivalent
Surface CrVI-free

Order Codes

- ★ Pair of SAE Split Flange Halves (Flat Style) **DB-FL-...**
- ★ Including Metric bolts 8.8, **DB-FL-...-M-B#K**
spring rings, O-ring made of NBR (Buna-N®)
(packed in kits)
- ★ Including Metric bolts 10.9, **DB-FL-...-MH-B#K**
spring rings, O-ring made of NBR (Buna-N®)
(packed in kits)
- ★ Including UNC bolts (Gr10), **DB-FL-...-U-B#K**
spring rings, O-ring made of NBR (Buna-N®)
(packed in kits)

3000 PSI Standard Pressure Series (according to ISO 6162-1)

PN (bar) ¹		Nominal Size		Order Codes	Dimensions (mm)										for Bolts	
8.8 Bolts	10.9 (MH) Bolts	DN	(in)		Ø R	Ø S	C	D	F	G	H	I	Ø K ²	Metr.	UNC	
350	350	13	1/2	DB-FL-301	24,3	31	6,2	13	22,8	54	8,75	38,1	8,7	M8x25	5/16-18 UNC x 1-1/4	
350	350	19	3/4	DB-FL-302	32,2	38,9	6,2	14	25,9	65	11,15	47,6	10,5	M10x30	3/8-16 UNC x 1-1/4	
250	315	25	1	DB-FL-303	38,5	45,3	7,5	16	29,2	70	13,1	52,4	10,5	M10x30	3/8-16 UNC x 1-1/4	
200	250	32	1-1/4	DB-FL-304-M	43,7	51,6	7,5	14	36,6	79	15,1	58,7	10,5	M10x30		
200	200	38	1-1/2	DB-FL-305	50,8	61,6	7,5	16	41,1	94	17,85	69,9	13,5	M12x35	1/2-13 UNC x 1-1/2	
160	200	51	2	DB-FL-306	62,8	72,3	9	16	48,2	102	21,45	77,8	13,5	M12x35	1/2-13 UNC x 1-1/2	
100	160	64	2-1/2	DB-FL-307	74,9	84,9	9	19	53	115	25,4	88,9	13,5	M12x40	1/2-13 UNC x 1-1/2	
100	160	76	3	DB-FL-308	90,9	102,4	9	22	64,3	135	30,95	106,4	17	M16x50	5/8-11 UNC x 1-1/2	

6000 PSI High Pressure Series (according to ISO 6162-2)

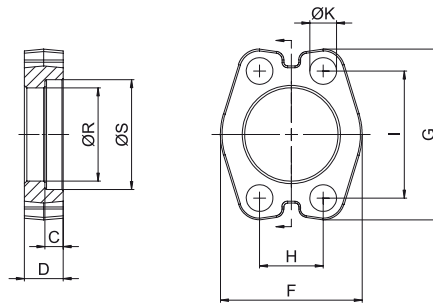
PN (bar) ¹		Nominal Size		Order Codes	Dimensions (mm)										for Bolts	
8.8 Bolts	10.9 (MH) Bolts	DN	(in)		Ø R	Ø S	C	D	F	G	H	I	Ø K ²	Metr.	UNC	
350	400	13	1/2	DB-FL-601	24,6	32,5	7,2	16	23,6	56	9,1	40,5	8,7	M8x30	5/16-18 UNC x 1-1/4	
350	400	19	3/4	DB-FL-602	32,5	42	8,2	20	30,0	71	11,9	50,8	10,5	M10x35	3/8-16 UNC x 1-1/2	
350	400	25	1	DB-FL-603-M	38,8	48,4	9	25	34,8	81	13,9	57,2	13	M12x45		
350	400	32	1-1/4	DB-FL-604-M14	44,5	54,8	9,8	27	38,6	95	15,9	66,6	15	M14x45		
350	400	38	1-1/2	DB-FL-605	51,6	64,3	12	30	47,5	113	18,25	79,3	17	M16x55	5/8-11 UNC x 2	
350	400	51	2	DB-FL-606	67,6	80,2	12	37	56,9	133	22,25	96,8	21	M20x70	3/4-10 UNC x 2-1/2	

¹ The maximum working pressure applies only to the flange itself and depends on the bolts used (Grade 8.8 / 10.9). The actual maximum working pressure depends on the thickness and the quality of the tube used.

² Dimensions of screw holes in part different to the ISO to match both Metric and UNC screws.

SAE Flange Clamp (Flat Style)
BM-FL
Order Codes

- * SAE Flange Clamp (Flat Style) **BM-FL-...**
- * Including Metric bolts 8.8, **BM-FL-...-M-B#K**
spring rings, O-ring made of NBR (Buna-N®)
(packed in kits)
- * Including UNC bolts (Gr10), **BM-FL-...-U-B#K**
spring rings, O-ring made of NBR (Buna-N®)
(packed in kits)



Material C60 / C55 or equivalent
Surface CrVI-free

3000 PSI Standard Pressure Series (according to ISO 6162-1)

PN (bar) ¹		Nominal Size		Order Codes	Dimensions (mm)										for Bolts	
8.8 Bolts	10.9 (MH) Bolts	DN	(in)		Ø R	Ø S	C	D	F	G	H	I	Ø K ²	Metr.	UNC	
350	350	13	1/2	BM-FL-301	24,3	31	6,2	13	45,6	54	17,5	38,1	8,7	M8x25	5/16-18 UNC x 1-1/4	
350	350	19	3/4	BM-FL-302	32,2	38,9	6,2	14	51,8	65	22,3	47,6	10,5	M10x30	3/8-16 UNC x 1-1/4	
250	315	25	1	BM-FL-303	38,5	45,3	7,5	16	58,4	70	26,2	52,4	10,5	M10x30	3/8-16 UNC x 1-1/4	
200	250	32	1-1/4	BM-FL-304-M	43,7	51,6	7,5	14	73,2	79	30,2	58,7	10,5	M10x30		
200	200	38	1-1/2	BM-FL-305	50,8	61,1	7,5	16	82,2	94	35,7	69,9	13,5	M12x35	1/2-13 UNC x 1-1/2	
160	200	51	2	BM-FL-306	62,8	72,3	9	16	96,4	102	42,9	77,8	13,5	M12x35	1/2-13 UNC x 1-1/2	
100	160	64	2-1/2	BM-FL-307	74,9	84,9	9	19	106,0	115	50,8	88,9	13,5	M12x40	1/2-13 UNC x 1-1/2	
100	160	76	3	BM-FL-308	90,9	102,4	9	22	128,6	135	61,9	106,4	17	M16x50	5/8-11 UNC x 2	

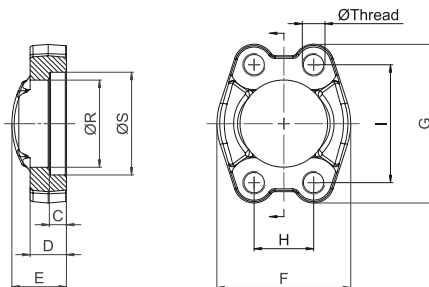
6000 PSI High Pressure Series (according to ISO 6162-2)

PN (bar) ¹		Nominal Size		Order Codes	Dimensions (mm)										for Bolts	
8.8 Bolts	10.9 (MH) Bolts	DN	(in)		Ø R	Ø S	C	D	F	G	H	I	Ø K ²	Metr.	UNC	
350	400	13	1/2	BM-FL-601	24,6	32,5	7,2	16	47,2	56	18,2	40,5	8,7	M8x30	5/16-18 UNC x 1-1/4	
350	400	19	3/4	BM-FL-602	32,5	42	8	20	60	71	23,8	50,8	10,5	M10x35	3/8-16 UNC x 1-1/2	
350	400	25	1	BM-FL-603-M	38,8	48,4	9,0	25	69,6	81	27,8	57,2	13	M12x45		
350	400	32	1-1/4	BM-FL-604-M14	44,5	54,8	9,8	27	77,2	95	31,8	66,6	15	M14x45		
350	400	38	1-1/2	BM-FL-605	51,6	64,3	12	30	89,4	113	36,5	79,3	17	M16x55	5/8-11 UNC x 2	
350	400	51	2	BM-FL-606	67,6	80,2	12	37	113,4	133	44,5	96,8	21	M20x70	3/4-10 UNC x 2-1/2	

¹ The maximum working pressure applies only to the flange itself and depends on the bolts used (Grade 8.8 / 10.9). The actual maximum working pressure depends on the thickness and the quality of the tube used.

² Dimensions of screw holes in part different to the ISO to match both Metric and UNC screws.

SAE Flange Clamp with Metric Tapped Holes BM-G



Order Codes

- * SAE Flange Clamp with Metric tapped holes BM-G-...
- * Deviant Metric tapped holes (M14) BM-G-...M14

Material S355J0 / C45 or equivalent
Surface CrVI-free
Special Material Stainless Steel 1.4404 "-W5" on request

3000 PSI Standard Pressure Series (according to ISO 6162-1)

PN (bar) ¹		Nominal Size		Order Codes	Dimensions (mm)									Ø Thread ²
8.8 Bolts	10.9 (MH) Bolts	DN	(in)		Ø R	Ø S	C	D	E	F	G	H	I	
350	350	13	1/2	BM-G-301	24,3	31	6,2	13	19	46	54	17,5	38,1	M8
350	350	19	3/4	BM-G-302	32,2	38,9	6,2	14	22	52	65	22,3	47,6	M10
250	315	25	1	BM-G-303	38,5	45,3	7,5	16	24	59	70	26,2	52,4	M10
200	250	32	1-1/4	BM-G-304	43,7	51,6	7,5	14	24	73	79,5	30,2	58,7	M10 (M12)
200	200	38	1-1/2	BM-G-305	50,8	61,1	7,5	16	25	83	94	35,7	69,9	M12 (M14)
160	200	51	2	BM-G-306	62,8	72,3	9	16	26	97	102	42,9	77,8	M12 (M14)
100	160	64	2-1/2	BM-G-307	74,9	84,9	9	19	38	109	114,5	50,8	88,9	M12 (M14)
100	160	76	3	BM-G-308	90,9	102,4	9	22	41	131	135	61,9	106,4	M16
35	35	89	3-1/2	BM-G-309	102,4	115,1	10,7	22	28	140	152	69,9	120,7	M16
35	35	102	4	BM-G-310	115	127,8	10,7	25	35	152	162	77,8	130,2	M16
35	35	127	5	BM-G-311	140,5	153,2	10,7	28	41	181	184	92,1	152,4	M16

6000 PSI High Pressure Series (according to ISO 6162-2)

PN (bar) ¹		Nominal Size		Order Codes	Dimensions (mm)									Ø Thread
8.8 Bolts	10.9 (MH) Bolts	DN	(in)		Ø R	Ø S	C	D	E	F	G	H	I	
350	400	13	1/2	BM-G-601	24,6	32,5	7,2	16	22	48	56,5	18,2	40,5	M8
350	400	19	3/4	BM-G-602	32,5	42	8,2	19	28	60	71	23,8	50,8	M10
350	400	25	1	BM-G-603	38,8	48,4	9	24	33	70	81	27,8	57,2	M12
350	400	32	1-1/4	BM-G-604	44,5	54,8	9,8	27	38	78	95	31,8	66,6	M12
350	400	32	1-1/4	BM-G-604-M14	44,5	54,8	9,8	27	38	78	95	31,8	66,6	M14
350	400	38	1-1/2	BM-G-605	51,6	64,3	12	30	43	95	113	36,5	79,3	M16
350	400	51	2	BM-G-606	67,6	80,2	12	37	52	114	133	44,5	96,8	M20

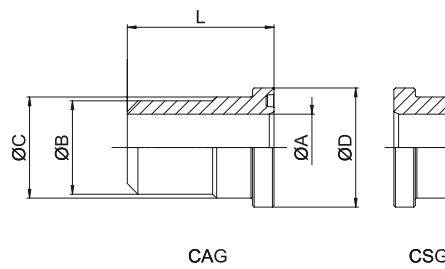
¹ The maximum working pressure applies only to the flange itself and depends on the bolts used (Grade 8.8 / 10.9). The actual maximum working pressure depends on the thickness and the quality of the tube used.

² Alternative options shown in brackets are available on request.

SAE Butt Weld Flange Adapter / SAE Butt Weld Counterflange Adapter CAG/CSG-ST

Order Codes

- * SAE Butt Weld Flange Adapter **CAG-...-ST-**-****
(without O-ring)
 - * SAE Butt Weld Counterflange Adapter **CSG-...-ST-**-****
 - * Including Metric bolts 8.8, **CAG-...-ST-**-**#K**
spring rings, O-ring made of NBR (Buna-N®) and DB
(packed in kits)
 - * Including Metric bolts 10.9, **CAG-...-ST-**-**-MH#K**
spring rings, O-ring made of NBR (Buna-N®) and DB
(packed in kits)
 - * Including UNC bolts **CAG-...-ST-**-**-V-U-BM#K**
(Gr10), spring rings, O-ring made of FPM (Viton®) and
BM (packed in kits)
- **/** Please indicate pipe-OD and pipe-ID**



Material S355J0 or equivalent
Surface blank, oiled
Special Material Stainless Steel 1.4571 "-W5" on request

3000 PSI Standard Pressure Series (according to ISO 6162-1)

PN (bar) ¹		Nominal Size		Order Codes	Dimensions (mm)				
8.8 Bolts	10.9 (MH) Bolts	DN	(in)		Ø A min.	Ø B max.	Ø C	Ø D	L
350	350	13	1/2	CAG-301-ST- ** / **	12	22	24	30,2	41
350	350	19	3/4	CAG-302-ST- ** / **	13	28	31,5	38,1	50
250	315	25	1	CAG-303-ST- ** / **	19	38	38	44,45	50
200	250	32	1-1/4	CAG-304-ST- ** / **	19	42,4	43	50,8	55
200	200	38	1-1/2	CAG-305-ST- ** / **	30	50	50	60,35	57
160	200	51	2	CAG-306-ST- ** / **	38	61	62	71,4	57
100	160	64	2-1/2	CAG-307-ST- ** / **	47	74	74	84,1	58
100	160	76	3	CAG-308-ST- ** / **	58	90	90	101,6	60
35	35	89	3-1/2	CAG-309-ST- ** / **	73	100	102	114,3	80
35	35	102	4	CAG-310-ST- ** / **	97	114	114	127	80
35	35	127	5	CAG-311-ST- ** / **	120	140	140	152,4	80

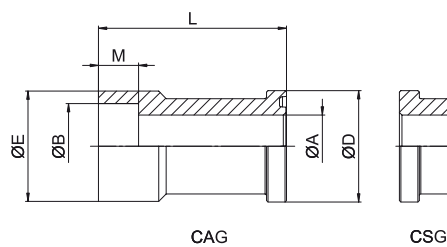
6000 PSI High Pressure Series (according to ISO 6162-2)

PN (bar) ¹		Nominal Size		Order Codes	Dimensions (mm)				
8.8 Bolts	10.9 (MH) Bolts	DN	(in)		Ø A min.	Ø B max.	Ø C	Ø D	L
350	400	13	1/2	CAG-601-ST- ** / **	10	22	24	31,8	34
350	400	19	3/4	CAG-602-ST- ** / **	12	28	32	41,3	38
350	400	25	1	CAG-603-ST- ** / **	18	38	38	47,6	40
350	400	32	1-1/4	CAG-604-ST- ** / ** ²	19	42,4	44	54	45
350	400	38	1-1/2	CAG-605-ST- ** / **	28	51	51	63,5	50
350	400	51	2	CAG-606-ST- ** / **	32	61	67	79,4	58

¹ The maximum working pressure applies only to the flange itself and depends on the bolts used (Grade 8.8 / 10.9). The actual maximum working pressure depends on the thickness and the quality of the tube used.

² According to ISO 6162-2 bolts M12 should be used but because usually bolts M14 are used the description of the complete part must show M14 (e.g. CAG-604-ST-**-**/M14#K).

SAE Socket Weld Flange Adapter / SAE Socket Weld Counterflange Adapter CAG/CSG-ES



Order Codes

- * SAE Socket Weld Flange Adapter (without O-ring) **CAG-...-ES-...**
- * SAE Socket Weld Counterflange Adapter **CSG-...-ES-...**
- * Including Metric bolts 8.8, spring rings, O-ring made of NBR (Buna-N®) and DB (packed in kits) **CAG-...-ES-...#K**
- * Including Metric bolts 10.9, spring rings, O-ring made of NBR (Buna-N®) and DB (packed in kits) **CAG-...-ES-...-MH#K**
- * Including UNC bolts (Gr10), spring rings, O-ring made of FPM (Viton®) and DB (packed in kits) **CAG-...-ES-...-V-U#K**

Material S355J0 or equivalent
Surface blank, oiled
Special Material Stainless Steel 1.4571 "-W5" on request

3000 PSI Standard Pressure Series (according to ISO 6162-1)

PN (bar) ¹		Nominal Size		Order Codes	Dimensions (mm)					
8.8 Bolts	10.9 (MH) Bolts	DN	(in)		Ø A	Ø B	Ø D	Ø E	M	L
350	350	13	1/2	CAG-301-ES-20,5/15	15	20,5	30,2	30	13	60
350	350	13	1/2	CAG-301-ES-21,7/15	15	21,7	30,2	30	13	60
350	350	19	3/4	CAG-302-ES-25,5/19	19	25,5	38,1	35	13	68
350	350	19	3/4	CAG-302-ES-27,3/19	19	27,3	38,1	35	13	68
250	315	25	1	CAG-303-ES-30,5/23	23	30,5	44,45	44	16	75
250	315	25	1	CAG-303-ES-34/25	25	34	44,45	44	16	75
200	250	32	1-1/4	CAG-304-ES-38,5/32	32	38,5	50,8	55	18	95
200	250	32	1-1/4	CAG-304-ES-43/32	32	43	50,8	55	18	95
200	200	38	1-1/2	CAG-305-ES-49/38	38	49	60,3	63	20	100
200	200	38	1-1/2	CAG-305-ES-50,4/38	38	50,4	60,3	63	20	100
160	200	51	2	CAG-306-ES-61/50	50	61	71,4	79	22	107
100	160	64	2-1/2	CAG-307-ES-77/58	58	77	84,1	98	24	130
100	160	76	3	CAG-308-ES-90,5/70	70	90,5	101,6	116	28	150

6000 PSI High Pressure Series (according to ISO 6162-2)

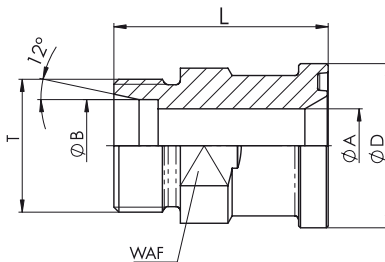
PN (bar) ¹		Nominal Size		Order Codes	Dimensions (mm)					
8.8 Bolts	10.9 (MH) Bolts	DN	(in)		Ø A	Ø B	Ø D	Ø E	M	L
350	400	13	1/2	CAG-601-ES-20,5/15	20,5	15	31,8	32	13	60
350	400	13	1/2	CAG-601-ES-21,7/15	21,7	15	31,8	32	13	60
350	400	19	3/4	CAG-602-ES-25,7/19	25,7	19	41,3	40	13	68
350	400	19	3/4	CAG-602-ES-27,3/19	27,3	19	41,3	40	13	68
350	400	25	1	CAG-603-ES-34/25	34,0	25	47,6	48	16	75

¹ The maximum working pressure applies only to the flange itself and depends on the bolts used (Grade 8.8 / 10.9). The actual maximum working pressure depends on the thickness and the quality of the tube used.

SAE Flange Adapter with 24° Cone Connector (acc. to ISO 8434-1 / DIN 2353) CAG-L/S

Order Codes

- ★ SAE Flange Adapter with 24° cone connector (acc. to ISO 8434-1 / DIN 2353) (without O-ring) **CAG-...**
- ★ Including Metric bolts 8.8, spring rings, O-ring made of NBR (Buna-N®) and DB (packed in kits) **CAG-...#K**
- ★ Including Metric bolts 10.9, spring rings, O-ring made of NBR (Buna-N®) and DB (packed in kits) **CAG-...-MH#K**
- ★ Including , UNC bolts (Gr10), spring rings, O-ring made of FPM (Viton®) and DB (packed in kits) **CAG-...-V-U#K**



Material S355J0 or equivalent
Surface CrVI-free
Special Material Stainless Steel 1.4571 "W5" on request

3000 PSI Standard Pressure Series (according to ISO 6162-1)

PN (bar) ¹		Nominal Size		Order Codes	Dimensions (mm)					
8.8 Bolts	10.9 (MH) Bolts	DN	(in)		Ø A	Ø B x Series	Ø D	L	WAF	T (Metric)
350	350	13	1/2	CAG-301-L15	12	15 L	30,2	48	24	22x1,5
350	350	13	1/2	CAG-301-S16	12	16 S	30,2	50	24	24x1,5
350	350	19	3/4	CAG-302-L18	15	18 L	38,1	53	30	26x1,5
350	350	19	3/4	CAG-302-S20	16	20 S	38,1	57	30	30x2
350	350	19	3/4	CAG-302-L22	19	22 L	38,1	53	30	30x2
350	350	19	3/4	CAG-302-S25	17	25 S	38,1	57	30	36x2
350	350	19	3/4	CAG-302-L28	19	28 L	38,1	53	30	36x2
250	315	25	1	CAG-303-S25	20	25 S	44,45	58	36	36x2
250	315	25	1	CAG-303-L28	24	28 L	44,45	54	36	36x2
250	315	25	1	CAG-303-S30	24	30 S	44,45	63	36	42x2
200	250	32	1-1/4	CAG-304-S25	20	25 S	50,8	60	41	36x2
200	250	32	1-1/4	CAG-304-L28	22	28 L	50,8	59	41	36x2
200	250	32	1-1/4	CAG-304-S30	25	30 S	50,8	62	41	42x2
200	250	32	1-1/4	CAG-304-L35	30	35 L	50,8	58	41	45x2
200	250	32	1-1/4	CAG-304-S38	28	38 S	50,8	67	46	52x2
200	200	38	1-1/2	CAG-305-S38	32	38 S	60,35	70	46	52x2
200	200	38	1-1/2	CAG-305-L42	36	42 L	60,35	64	46	52x2

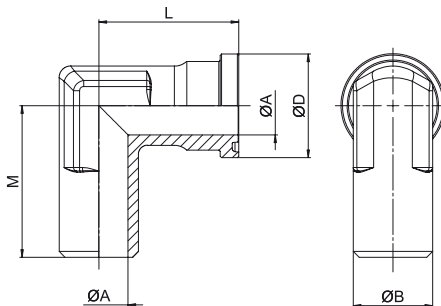
6000 PSI High Pressure Series (according to ISO 6162-2)

PN (bar) ¹		Nominal Size		Order Codes	Dimensions (mm)					
8.8 Bolts	10.9 (MH) Bolts	DN	(in)		Ø A	Ø B x Series	Ø D	L	WAF	T (Metric)
350	400	13	1/2	CAG-601-S16	12	16 S	31,8	53	24	24x1,5
350	400	19	3/4	CAG-602-S16	12	16 S	41,3	59	30	24x1,5
350	400	19	3/4	CAG-602-S20	16	20 S	41,3	61	30	30x2
350	400	19	3/4	CAG-602-S25	17	25 S	41,3	63	30	36x2
350	400	19	3/4	CAG-602-S30	18	30 S	41,3	64	36	42x2
350	400	25	1	CAG-603-S25	20	25 S	47,6	72	36	36x2
350	400	25	1	CAG-603-S30	24	30 S	47,6	74	36	42x2
350	400	32	1-1/4	CAG-604-S30 ²	25	30 S	54	79	41	42x2
350	400	32	1-1/4	CAG-604-S38 ²	30	38 S	54	83	46	52x2
350	400	38	1-1/2	CAG-605-S38	30	38 S	63,5	89	46	52x2

¹ The maximum working pressure applies only to the flange itself and depends on the bolts used (Grade 8.8 / 10.9). The actual maximum working pressure depends on the thickness and the quality of the tube used.

² According to ISO 6162-2 bolts M12 should be used but because usually bolts M14 are used the description of the complete part must show M14 (e.g. CAG-604-S30-M14#K).

SAE 90° Butt Weld Flange Adapter CAG90-ST



Order Codes

- ★ SAE 90° Butt Weld Flange Adapter **CAG90-...-ST-...**
(without O-ring)
- ★ Including Metric bolts 8.8, spring **CAG90-...-ST-...#K**
rings, O-ring made of NBR (Buna-N®) and DB
(packed in kits)
- ★ Including Metric bolts 10.9, **CAG90-...-ST-...-MH#K**
spring rings, O-ring made of NBR (Buna-N®) and DB
(packed in kits)
- ★ Including UNC bolts (Gr10), **CAG90-...-ST-...-V-U#K**
spring rings, O-ring made of FPM (Viton®) and DB
(packed in kits)

Material S355J0 or equivalent
Surface blank, oiled
Special Material Stainless Steel 1.4404 "-W5" on request

3000 PSI Standard Pressure Series (according to ISO 6162-1)

PN (bar) ¹		Nominal Size		Order Codes	Dimensions (mm)				
8.8 Bolts	10.9 (MH) Bolts	DN	(in)		Ø A	Ø B	D	L	M
350	350	13	1/2	CAG90-301-ST-15/11	11	15	30,2	39	38
350	350	13	1/2	CAG90-301-ST-16/12	12	16	30,2	39	38
350	350	13	1/2	CAG90-301-ST-21,3/14	14	21,3	30,2	39	38
350	350	19	3/4	CAG90-302-ST-18/15	15	18	38,1	42	45
350	350	19	3/4	CAG90-302-ST-20/14	14	20	38,1	42	45
350	350	19	3/4	CAG90-302-ST-22/16	16	22	38,1	42	45
350	350	19	3/4	CAG90-302-ST-26,9/19	19	26,9	38,1	42	45
250	315	25	1	CAG90-303-ST-25/19	19	25	44,45	45	50
250	315	25	1	CAG90-303-ST-30/22	22	30	44,45	45	50
250	315	25	1	CAG90-303-ST-33,7/25	25	33,7	44,45	45	50
200	250	32	1-1/4	CAG90-304-ST-25/19	19	25	50,8	50	59
200	250	32	1-1/4	CAG90-304-ST-30/22	22	30	50,8	50	59
200	250	32	1-1/4	CAG90-304-ST-35/31	31	35	50,8	50	59
200	250	32	1-1/4	CAG90-304-ST-38/28	28	38	50,8	50	59
200	250	32	1-1/4	CAG90-304-ST-42,4/32	32	42,4	50,8	50	59
200	200	38	1-1/2	CAG90-305-ST-38/28	28	38	60,35	76	56
200	200	38	1-1/2	CAG90-305-ST-42/36	36	42	60,35	76	56
200	200	38	1-1/2	CAG90-305-ST-48,3/38	38	48,3	60,35	76	56

6000 PSI High Pressure Series (according to ISO 6162-2)

PN (bar) ¹		Nominal Size		Order Codes	Dimensions (mm)				
8.8 Bolts	10.9 (MH) Bolts	DN	(in)		Ø A	Ø B	D	L	M
350	400	13	1/2	CAG90-601-ST-16/10	10	16	31,8	39	38
350	400	13	1/2	CAG90-601-ST-21,3/12	12	21,3	31,8	39	38
350	400	19	3/4	CAG90-602-ST-16/10	10	16	41,3	48	48
350	400	19	3/4	CAG90-602-ST-20/12	12	20	41,2	48	48
350	400	19	3/4	CAG90-602-ST-25/16	16	25	41,3	48	48
350	400	19	3/4	CAG90-602-ST-26,9/16	16	26,9	41,3	48	48
350	400	25	1	CAG90-603-ST-25/17	17	25	47,6	60	60
350	400	25	1	CAG90-603-ST-30/22	22	30	47,6	60	60
350	400	25	1	CAG90-603-ST-33,7/25	25	33,7	47,6	60	60
350	400	25	1	CAG90-603-ST-33,7/21	21	33,7	47,6	60	60
350	400	32	1-1/4	CAG90-604-ST-30/22 ²	22	30	54	68	68
350	400	32	1-1/4	CAG90-604-ST-38/28 ²	28	38	53	68	68
350	400	32	1-1/4	CAG90-604-ST-42,4/30 ²	30	42,4	54	68	68
350	400	32	1-1/4	CAG90-604-ST-38/22 ²	22	38	54	68	68
350	400	38	1-1/2	CAG90-605-ST-38/28	28	38	63,5	76	76
350	400	38	1-1/2	CAG90-605-ST-38/22	22	38	63,5	76	76
350	400	38	1-1/2	CAG90-605-ST-48,3/34	34	48,3	63,6	76	76
350	400	38	1-1/2	CAG90-605-ST-48,3/32	32	48,3	63,5	76	76

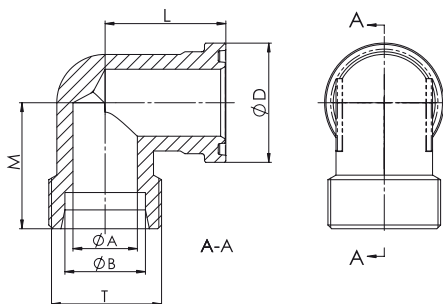
¹ The maximum working pressure applies only to the flange itself and depends on the bolts used (Grade 8.8 / 10.9). The actual maximum working pressure depends on the thickness and the quality of the tube used.

² According to ISO 6162-2 bolts M12 should be used but because usually bolts M14 are used the description of the complete part must show M14 (CAG90-604-ST-30/22-M14#K).

SAE 90° Flange Adapter with 24° Cone Connector (ISO 8434-1/DIN 2353) CAG90-L/S

Order Codes

- ★ SAE 90° Flange Adapter with 24° cone connector (acc. to ISO 8434-1 / DIN 2353) (without O-ring) **CAG90-...**
- ★ Including Metric bolts 8.8, spring rings, O-ring made of NBR (Buna-N®) and DB (packed in kits) **CAG90-...#K**
- ★ Including Metric bolts 10.9, spring rings, O-ring made of NBR (Buna-N®) and DB (packed in kits) **CAG90-...-MH#K**
- ★ Including UNC bolts (Gr10), spring rings, O-ring made of FPM (Viton®) and DB (packed in kits) **CAG90-...-V-U#K**



Material S355J0 or equivalent
Surface CrVI-free
Special Material Stainless Steel 1.4404 "W5" on request

3000 PSI Standard Pressure Series (according to ISO 6162-1)

PN (bar) ¹		Nominal Size		Order Codes	Dimensions (mm)					
8.8 Bolts	10.9 (MH) Bolts	DN	(in)		Ø A	Ø B x Series	Ø D	L	M	T (Metric)
350	350	13	1/2	CAG90-301-L15	12	15 L	30,2	39	36	22x1,5
350	350	13	1/2	CAG90-301-S16	12	16 S	30,2	39	38	24x1,5
350	350	19	3/4	CAG90-302-L18	15	18 L	38,1	42	39	26x1,5
350	350	19	3/4	CAG90-302-S20	16	20 S	38,1	42	43	30x2
350	350	19	3/4	CAG90-302-L22	19	22 L	38,1	42	41	30x2
350	350	19	3/4	CAG90-302-S25	17	25 S	38,1	42	45	36x2
250	315	25	1	CAG90-303-S25	20	25 S	44,45	45	48,5	36x2
250	315	25	1	CAG90-303-L28	24	28 L	44,45	45	45,5	36x2
250	315	25	1	CAG90-303-S30	24	30 S	44,45	45	50	42x2
200	250	32	1-1/4	CAG90-304-S25	20	25 S	50,8	50	55	36x2
200	250	32	1-1/4	CAG90-304-S30	25	30 S	50,8	50	57	42x2
200	250	32	1-1/4	CAG90-304-L35	30	35 L	50,8	50	57	45x2
200	250	32	1-1/4	CAG90-304-S38	28	38 S	50,8	50	59	52x2
200	200	38	1-1/2	CAG90-305-S38	32	38 S	60,35	55	64	52x2
200	200	38	1-1/2	CAG90-305-L42	36	42 L	60,35	55	58	52x2

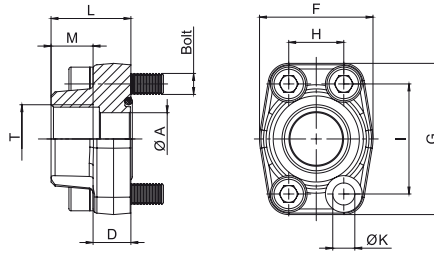
6000 PSI High Pressure Series (according to ISO 6162-2)

PN (bar) ¹		Nominal Size		Order Codes	Dimensions (mm)					
8.8 Bolts	10.9 (MH) Bolts	DN	(in)		Ø A	Ø B x Series	Ø D	L	M	T (Metric)
350	400	13	1/2	CAG90-601-S16	12	16 S	31,8	39	37,9	24x1,5
350	400	19	3/4	CAG90-602-S16	12	16 S	41,3	48	45	24x1,5
350	400	19	3/4	CAG90-602-S20	16	20 S	41,3	48	46	30x2
350	400	19	3/4	CAG90-602-S25	17	25 S	41,3	48	48	36x2
350	400	25	1	CAG90-603-S25	20	25 S	47,6	60	53	36x2
350	400	25	1	CAG90-603-S30	24	30 S	47,6	60	55	42x2
350	400	32	1-1/4	CAG90-604-S30 ²	25	30 S	54	68	58	42x2
350	400	32	1-1/4	CAG90-604-S38 ²	30	38 S	54	68	61	52x2
350	400	38	1-1/2	CAG90-605-S30	25	30 S	63,5	76	72	42x2
350	400	38	1-1/2	CAG90-605-S38	30	38 S	63,5	76	72	52x2

¹ The maximum working pressure applies only to the flange itself and depends on the bolts used (Grade 8.8 / 10.9). The actual maximum working pressure depends on the thickness and the quality of the tube used.

² According to ISO 6162-2 bolts M12 should be used but because usually bolts M14 are used the description of the complete part must show M14 (e.g. CAG90-604-S30-M14#K).

SAE Single-Part Screw-in BSPP Threaded Flange BFX-G



Order Codes

- * SAE Single-Part Screw-in BSPP Threaded Flange (without O-ring) **BFX...-G**
- * Deviant screw-in BSPP thread, including Metric bolts 8.8, spring rings, O-ring made of NBR (Buna-N®) (packed in kits) **BFX...-G*** #K**
- * Deviant screw-in BSPP thread, including Metric bolts 10.9, spring rings, O-ring made of NBR (Buna-N®) (packed in kits) **BFX...-G***-MH#K**
- * Including UNC bolts (Gr10), spring rings, O-ring made of FPM (Viton®) (packed in kits) **BFX...-G-V-U#K**

Material S355J0 or equivalent
Surface blank, oiled
Special Material Stainless Steel 1.4404 " -W5" on request

3000 PSI Standard Pressure Series (according to ISO 6162-1)

PN (bar) ¹		Nominal Size		Order Codes	Dimensions (mm)										for Bolts	
8.8 Bolts	10.9 (MH) Bolts	DN	(in)		Ø A	D	F	G	H	I	L	M	T (BSPP)	Ø K ³	Metr. ³	UNC
350	350	13	1/2	BFX-301-G	13	16,0	47	57	17,5	38,1	36	15	1/2	8,7	M8x30	5/16-18 UNC x 1-1/4
350	350	13	1/2	BFX-301-G038	13	16,0	47	57	17,5	38,1	36	20	3/8	8,7	M8x30	5/16-18 UNC x 1-1/4
350	350	19	3/4	BFX-302-G	19	18,0	50	67	22,3	47,6	36	18	3/4	10,5	M10x35	3/8-16 UNC x 1-1/2
350	350	19	3/4	BFX-302-G012	13	18,0	50	67	22,3	47,6	36	15	1/2	10,5	M10x35	3/8-16 UNC x 1-1/2
250	315	25	1	BFX-303-G	25	18,0	54	72	26,2	52,4	38	20	1	10,5	M10x35	3/8-16 UNC x 1-1/2
250	315	25	1	BFX-303-G034	19	18,0	54	72	26,2	52,4	38	18	3/4	10,5	M10x35	3/8-16 UNC x 1-1/2
200	250	32	1-1/4	BFX-304-G	31	21,0	68	82	30,2	58,7	41	22	1-1/4	11,7 (12,5)	M10x40 (M12x40)	7/16-14 UNC x 1-1/2
200	250	32	1-1/4	BFX-304-G100	25	21,0	68	82	30,2	58,7	41	20	1	11,7 (12,5)	M10x40 (M12x40)	7/16-14 UNC x 1-1/2
200	200	38	1-1/2	BFX-305-G	38	25,0	79	96	35,7	69,9	44	24	1-1/2	13,5 (14,5)	M12x45 (M14x45)	1/2-13 UNC x 1-3/4
200	200	38	1-1/2	BFX-305-G114	31	25,0	79	96	35,7	69,9	44	22	1-1/4	13,5 (14,5)	M12x45 (M14x45)	1/2-13 UNC x 1-3/4
160	200	51	2	BFX-306-G	50	25,5	88	102	42,9	77,8	45	26	2	13,5 (14,5)	M12x45 (M14x45)	1/2-13 UNC x 1-3/4
160	200	51	2	BFX-306-G112	38	25,5	88	102	42,9	77,8	45	24	1-1/2	13,5 (14,5)	M12x45 (M14x45)	1/2-13 UNC x 1-3/4
100	160	64	2-1/2	BFX-307-G	63	26,0	101	115	50,8	88,9	50	30	2-1/2	13,5 (14,5)	M12x45 (M14x45)	1/2-13 UNC x 1-3/4
100	160	64	2-1/2	BFX-307-G200	50	26,0	101	115	50,8	88,9	50	26	2	13,5 (14,5)	M12x45 (M14x45)	1/2-13 UNC x 1-3/4
100	160	76	3	BFX-308-G	73	27,5	127	137	61,9	106,4	50	30	3	17,0	M16x50	5/8-11 UNC x 2
100	160	76	3	BFX-308-G212	63	27,5	127	137	61,9	106,4	50	30	2-1/2	17,0	M16x50	5/8-11 UNC x 2
35	35	89	3-1/2	BFX-309-G	89	27,5	138	155	69,8	120,7	50	30	3-1/2	17,0	M16x50	5/8-11 UNC x 2
35	35	102	4	BFX-310-G	99	27,5	147	163	77,8	130,2	50	30	4	17,0	M16x50	5/8-11 UNC x 2
35	35	127	5	BFX-311-G	120	28,0	180	184	92,0	152,4	50	30	5	17,0	M16x55	5/8-11 UNC x 2-1/4

6000 PSI High Pressure Series (according to ISO 6162-2)

PN (bar) ¹		Nominal Size		Order Codes	Dimensions (mm)										for Bolts	
8.8 Bolts	10.9 (MH) Bolts	DN	(in)		Ø A	D	F	G	H	I	L	M	T (BSPP)	Ø K ³	Metr.	UNC
350	400	13	1/2	BFX-601-G	14	16,5	47	57	18,2	40,5	36	15	1/2	8,7	M8x30	5/16-18 UNC x 1-1/4
350	400	13	1/2	BFX-601-G038	14	16,5	47	57	18,2	40,5	36	20	3/8	8,7	M8x30	5/16-18 UNC x 1-1/4
350	400	19	3/4	BFX-602-G	19	19,5	54	72	23,8	50,8	36	18	3/4	10,5	M10x35	3/8-16 UNC x 1-1/2
350	400	19	3/4	BFX-602-G012	14	19,5	54	72	23,8	50,8	36	15	1/2	10,5	M10x35	3/8-16 UNC x 1-1/2
350	400	25	1	BFX-603-G	25	24,5	68	82	27,8	57,2	44	20	1	13,0	M12x45	7/16-14 UNC x 1-3/4
350	400	25	1	BFX-603-G034	19	24,5	68	82	27,8	57,2	44	18	3/4	13,0	M12x45	7/16-14 UNC x 1-3/4
350	400	32	1-1/4	BFX-604-G	31	27,5	79	95	31,6	66,6	44	22	1-1/4	13,5	M12x45	1/2-13 UNC x 1-3/4
350	400	32	1-1/4	BFX-604-G-M14	31	27,5	79	95	31,6	66,6	44	22	1-1/4	15,0	M14x45	
350	400	32	1-1/4	BFX-604-G100	25	27,5	79	95	31,6	66,6	44	20	1	13,5	M12x45	1/2-13 UNC x 1-3/4
350	400	32	1-1/4	BFX-604-G100-M14	25	27,5	79	95	31,6	66,6	44	20	1	15,0	M14x45	
350	400	38	1-1/2	BFX-605-G	38	31,0	88	108	36,5	79,3	51	24	1-1/2	17,0	M16x55	5/8-11 UNC x 2-1/4
350	400	38	1-1/2	BFX-605-G114	31	31,0	88	108	36,5	79,3	51	22	1-1/4	17,0	M16x55	5/8-11 UNC x 2-1/4
350	400	51	2	BFX-606-G	50	37,0	118	137	44,5	96,8	65	33	2	21,0	M20x70	3/4-10 UNC x 2-3/4

¹ The maximum working pressure applies only to the flange itself and depends on the bolts used (Grade 8.8 / 10.9). The actual maximum working pressure depends on the thickness and the quality of the tube used.

² For UNC threaded bolts, use hexagon head bolts only. Please note that these do not belong to our product range.

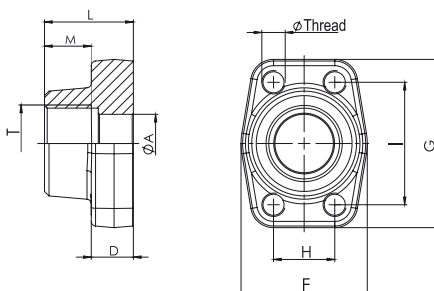
³ Alternative options shown in brackets are available on request.

SAE Single-Part Screw-in BSPP Threaded Counterflange BAS-G

Order Codes

- * SAE Single-Part Screw-in BSPP Threaded Counterflange
- * For UNC bolts
- * Deviant screw-in BSPP thread
- * For deviant Metric bolts (M14), deviant screw-in BSPP thread

BAS-...-G
BAS-...-GU
BAS-...-G***
BAS-...-GM14-100



Material S355J0 or equivalent
Surface blank, oiled
Special Material Stainless Steel 1.4404 "W5" on request

3000 PSI Standard Pressure Series (according to ISO 6162-1)

PN (bar) ¹		Nominal Size		Order Codes	Dimensions (mm)										Ø Thread	
8.8 Bolts	10.9 (MH) Bolts	DN	(in)		Ø A	D	F	G	H	I	L	M	T (BSPP)	Metr. ³	UNC	
350	350	13	1/2	BAS-301-G	13	16,0	47	57	17,5	38,1	36	15	1/2	M8	5/16-18 UNC	
350	350	13	1/2	BAS-301-G038	13	16,0	47	57	17,5	38,1	36	20	3/8	M8	5/16-18 UNC	
350	350	19	3/4	BAS-302-G	19	18,0	50	67	22,3	47,6	36	18	3/4	M10	3/8-16 UNC	
350	350	19	3/4	BAS-302-G012	13	18,0	50	67	22,3	47,6	36	15	1/2	M10	3/8-16 UNC	
250	315	25	1	BAS-303-G	25	18,0	54	72	26,2	52,4	38	20	1	M10	3/8-16 UNC	
250	315	25	1	BAS-303-G034	19	18,0	54	72	26,2	52,4	38	18	3/4	M10	3/8-16 UNC	
200	250	32	1-1/4	BAS-304-G	31	21,0	68	82	30,2	58,7	41	22	1-1/4	M10 (M12)	7/16-14 UNC	
200	250	32	1-1/4	BAS-304-G100	25	21,0	68	82	30,2	58,7	41	20	1	M10 (M12)	7/16-14 UNC	
200	200	38	1-1/2	BAS-305-G	38	25,0	79	96	35,7	69,9	44	24	1-1/2	M12 (M14)	1/2-13 UNC	
200	200	38	1-1/2	BAS-305-G114	31	25,0	79	96	35,7	69,9	44	22	1-1/4	M12 (M14)	1/2-13 UNC	
160	200	51	2	BAS-306-G	50	25,5	88	102	42,9	77,8	45	26	2	M12 (M14)	1/2-13 UNC	
160	200	51	2	BAS-306-G112	38	25,5	88	102	42,9	77,8	45	24	1-1/2	M12 (M14)	1/2-13 UNC	
100	160	64	2-1/2	BAS-307-G	63	26,0	101	115	50,8	88,9	50	30	2-1/2	M12 (M14)	1/2-13 UNC	
100	160	64	2-1/2	BAS-307-G200	50	26,0	101	115	50,8	88,9	50	26	2	M12 (M14)	1/2-13 UNC	
100	160	76	3	BAS-308-G	73	27,5	127	137	61,9	106,4	50	30	3	M16	5/8-11 UNC	
100	160	76	3	BAS-308-G212	63	27,5	127	137	61,9	106,4	50	30	2-1/2	M16	5/8-11 UNC	
35	35	89	3-1/2	BAS-309-G	89	27,5	138	155	69,8	120,7	50	30	3-1/2	M16	5/8-11 UNC	
35	35	102	4	BAS-310-G	99	27,5	147	163	77,8	130,2	50	30	4	M16	5/8-11 UNC	
35	35	127	5	BAS-311-G	120	28,0	180	184	92,0	152,4	50	30	5	M16	5/8-11 UNC	

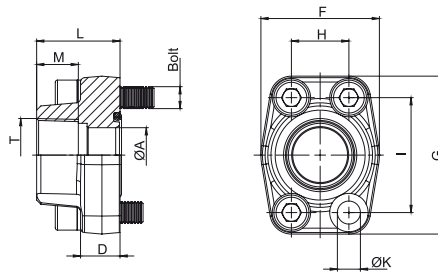
6000 PSI High Pressure Series (according to ISO 6162-2)

PN (bar) ¹		Nominal Size		Order Codes	Dimensions (mm)										Ø Thread	
8.8 Bolts	10.9 (MH) Bolts	DN	(in)		Ø A	D	F	G	H	I	L	M	T (BSPP)	Metr.	UNC	
350	400	13	1/2	BAS-601-G	14	16,5	47	57	18,2	40,5	36	15	1/2	M8	5/16-18 UNC	
350	400	13	1/2	BAS-601-G038	14	16,5	47	57	18,2	40,5	36	20	3/8	M8	5/16-18 UNC	
350	400	19	3/4	BAS-602-G	19	19,5	54	72	23,8	50,8	36	18	3/4	M10	3/8-16 UNC	
350	400	19	3/4	BAS-602-G012	14	19,5	54	72	23,8	50,8	36	15	1/2	M10	3/8-16 UNC	
350	400	25	1	BAS-603-G	25	24,5	68	82	27,8	57,2	44	20	1	M12	7/16-14 UNC	
350	400	25	1	BAS-603-G034	19	24,5	68	82	27,8	57,2	44	18	3/4	M12	7/16-14 UNC	
350	400	32	1-1/4	BAS-604-G	31	27,5	79	95	31,6	66,6	44	22	1-1/4	M12	1/2-13 UNC	
350	400	32	1-1/4	BAS-604-GM14	31	27,5	79	95	31,6	66,6	44	22	1-1/4	M14		
350	400	32	1-1/4	BAS-604-G100	25	27,5	79	95	31,6	66,6	44	20	1	M12	1/2-13 UNC	
350	400	32	1-1/4	BAS-604-GM14-100	25	27,5	79	95	31,6	66,6	44	20	1	M14		
350	400	38	1-1/2	BAS-605-G	38	31,0	88	108	36,5	79,3	51	24	1-1/2	M16	5/8-11 UNC	
350	400	38	1-1/2	BAS-605-G114	31	31,0	88	108	36,5	79,3	51	22	1-1/4	M16	5/8-11 UNC	
350	400	51	2	BAS-606-G	50	37,0	118	137	44,5	96,8	58	33	2	M20	3/4-10 UNC	

¹ The maximum working pressure applies only to the flange itself and depends on the bolts used (Grade 8.8 / 10.9). The actual maximum working pressure depends on the thickness and the quality of the tube used.

³ Alternative options shown in brackets are available on request.

SAE Single-Part Screw-in NPT Threaded Flange BFX-N



Material S355J0 or equivalent
Surface blank, oiled
Special Material Stainless Steel 1.4404 " -W5" on request

Order Codes

- ★ SAE Single-Part Screw-in NPT Threaded Flange (without O-ring) **BFX...-N**
- ★ Deviant screw-in NPT thread, including Metric bolts 8.8, spring rings, O-ring made of NBR (Buna-N®) (packed in kits) **BFX...-N***#K**
- ★ Deviant screw-in NPT thread, including Metric bolts 10.9, spring rings, O-ring made of NBR (Buna-N®) (packed in kits) **BFX...-N***-MH#K**
- ★ Including UNC bolts (Gr10), spring rings, O-ring made of FPM (Viton®) (packed in kits) **BFX...-N-V-U#K**

3000 PSI Standard Pressure Series (according to ISO 6162-1)

PN (bar) ¹		Nominal Size		Order Codes	Dimensions (mm)										for Bolts	
8.8 Bolts	10.9 (MH) Bolts	DN	(in)		Ø A	D	F	G	H	I	L	M	T (NPT)	Ø K ³	Metr. ³	UNC
350	350	13	1/2	BFX-301-N	13	16,0	47	57	17,5	38,1	36	15	1/2	8,7	M8x30	5/16-18 UNC x 1-1/4
350	350	13	1/2	BFX-301-N038	13	16,0	47	57	17,5	38,1	36	20	3/8	8,7	M8x30	5/16-18 UNC x 1-1/4
350	350	19	3/4	BFX-302-N	19	18,0	50	67	22,3	47,6	36	18	3/4	10,5	M10x35	3/8-16 UNC x 1-1/2
350	350	19	3/4	BFX-302-N012	13	18,0	50	67	22,3	47,6	36	15	1/2	10,5	M10x35	3/8-16 UNC x 1-1/2
250	315	25	1	BFX-303-N	25	18,0	54	72	26,2	52,4	38	20	1	10,5	M10x35	3/8-16 UNC x 1-1/2
250	315	25	1	BFX-303-N034	19	18,0	54	72	26,2	52,4	38	18	3/4	10,5	M10x35	3/8-16 UNC x 1-1/2
200	250	32	1-1/4	BFX-304-N	31	21,0	68	82	30,2	58,7	41	22	1-1/4	11,7 (12,5)	M10x40 (M12x40)	7/16-14 UNC x 1-1/2
200	250	32	1-1/4	BFX-304-N100	25	21,0	68	82	30,2	58,7	41	20	1	11,7 (12,5)	M10x40 (M12x40)	7/16-14 UNC x 1-1/2
200	200	38	1-1/2	BFX-305-N	38	25,0	79	96	35,7	69,9	44	24	1-1/2	13,5 (14,5)	M12x45 (M14x45)	1/2-13 UNC x 1-3/4
200	200	38	1-1/2	BFX-305-N114	31	25,0	79	96	35,7	69,9	44	22	1-1/4	13,5 (14,5)	M12x45 (M14x45)	1/2-13 UNC x 1-3/4
160	200	51	2	BFX-306-N	50	25,5	88	102	42,9	77,8	45	26	2	13,5 (14,5)	M12x45 (M14x45)	1/2-13 UNC x 1-3/4
160	200	51	2	BFX-306-N112	38	25,5	88	102	42,9	77,8	45	24	1-1/2	13,5 (14,5)	M12x45 (M14x45)	1/2-13 UNC x 1-3/4
100	160	64	2-1/2	BFX-307-N	63	26,0	101	115	50,8	88,9	50	30	2-1/2	13,5 (14,5)	M12x45 (M14x45)	1/2-13 UNC x 1-3/4
100	160	64	2-1/2	BFX-307-N200	50	26,0	101	115	50,8	88,9	50	26	2	13,5 (14,5)	M12x45 (M14x45)	1/2-13 UNC x 1-3/4
100	160	76	3	BFX-308-N	73	27,5	127	137	61,9	106,4	50	30	3	17,0	M16x50	5/8-11 UNC x 2
100	160	76	3	BFX-308-N212	63	27,5	127	137	61,9	106,4	50	30	2-1/2	17,0	M16x50	5/8-11 UNC x 2
35	35	89	3-1/2	BFX-309-N	89	27,5	138	155	69,8	120,7	50	30	3-1/2	17,0	M16x50	5/8-11 UNC x 2
35	35	102	4	BFX-310-N	99	27,5	147	163	77,8	130,2	50	30	4	17,0	M16x50	5/8-11 UNC x 2
35	35	127	5	BFX-311-N	120	28,0	180	184	92,0	152,4	50	30	5	17,0	M16x55	5/8-11 UNC x 2-1/4

6000 PSI High Pressure Series (according to ISO 6162-2)

PN (bar) ¹		Nominal Size		Order Codes	Dimensions (mm)										for Bolts	
8.8 Bolts	10.9 (MH) Bolts	DN	(in)		Ø A	D	F	G	H	I	L	M	T (NPT)	Ø K ³	Metr. ³	UNC
350	400	13	1/2	BFX-601-N	14	16,5	47	57	18,2	40,5	36	15	1/2	8,7	M8x30	5/16-18 UNC x 1-1/4
350	400	13	1/2	BFX-601-N038	14	16,5	47	57	18,2	40,5	36	20	3/8	8,7	M8x30	5/16-18 UNC x 1-1/4
350	400	19	3/4	BFX-602-N	19	19,5	54	72	23,8	50,8	36	18	3/4	10,5	M10x35	3/8-16 UNC x 1-1/2
350	400	19	3/4	BFX-602-N012	14	19,5	54	72	23,8	50,8	36	15	1/2	10,5	M10x35	3/8-16 UNC x 1-1/2
350	400	25	1	BFX-603-N	25	24,5	68	82	27,8	57,2	44	20	1	13,0	M12x45	7/16-14 UNC x 1-3/4
350	400	25	1	BFX-603-N034	19	24,5	68	82	27,8	57,2	44	18	3/4	13,0	M12x45	7/16-14 UNC x 1-3/4
350	400	32	1-1/4	BFX-604-N	31	27,5	79	95	31,6	66,6	44	22	1-1/4	13,5	M12x45	1/2-13 UNC x 1-3/4
350	400	32	1-1/4	BFX-604-N-M14	31	27,5	79	95	31,6	66,6	44	22	1-1/4	15,0	M14x45	
350	400	32	1-1/4	BFX-604-N100	25	27,5	79	95	31,6	66,6	44	20	1	13,5	M12x45	1/2-13 UNC x 1-3/4
350	400	32	1-1/4	BFX-604-N100-M14	25	27,5	79	95	31,6	66,6	44	20	1	15,0	M14x45	
350	400	38	1-1/2	BFX-605-N	38	31,0	88	108	36,5	79,3	51	24	1-1/2	17,0	M16x55	5/8-11 UNC x 2-1/4
350	400	38	1-1/2	BFX-605-N114	31	31,0	88	108	36,5	79,3	51	22	1-1/4	17,0	M16x55	5/8-11 UNC x 2-1/4
350	400	51	2	BFX-606-N	50	37,0	118	137	44,5	96,8	65	33	2	21,0	M20x70	3/4-10 UNC x 2-3/4

¹ The maximum working pressure applies only to the flange itself and depends on the bolts used (Grade 8.8 / 10.9). The actual maximum working pressure depends on the thickness and the quality of the tube used.

² For UNC threaded bolts, use hexagon head bolts only. Please note that these do not belong to our product range.

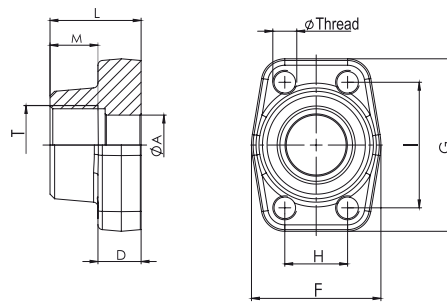
³ Alternative options shown in brackets are available on request.

SAE Single-Part Screw-in NPT Threaded Counterflange BAS-N

Order Codes

- * SAE Single-Part Screw-in NPT Threaded Counterflange
- * For UNC bolts
- * Deviant screw-in NPT thread
- * For deviant Metric bolts (M14), deviant screw-in NPT thread

BAS-...-N
BAS-...-NU
BAS-...-N***
BAS-...-NM14-100



Material S355J0 or equivalent
Surface blank, oiled
Special Material Stainless Steel 1.4404 "W5" on request

3000 PSI Standard Pressure Series (according to ISO 6162-1)

PN (bar) ¹		Nominal Size		Order Codes	Dimensions (mm)									Ø Thread	
8.8 Bolts	10.9 (MH) Bolts	DN	(in)		Ø A	D	F	G	H	I	L	M	T (NPT)	Metr. ³	UNC
350	350	13	1/2	BAS-301-N	13	16,0	47	57	17,5	38,1	36	15	1/2	M8	5/16-18 UNC
350	350	13	1/2	BAS-301-N038	13	16,0	47	57	17,5	38,1	36	20	3/8	M8	5/16-18 UNC
350	350	19	3/4	BAS-302-N	19	18,0	50	67	22,3	47,6	36	18	3/4	M10	3/8-16 UNC
350	350	19	3/4	BAS-302-N012	13	18,0	50	67	22,3	47,6	36	15	1/2	M10	3/8-16 UNC
250	315	25	1	BAS-303-N	25	18,0	54	72	26,2	52,4	38	20	1	M10	3/8-16 UNC
250	315	25	1	BAS-303-N034	19	18,0	54	72	26,2	52,4	38	18	3/4	M10	3/8-16 UNC
200	250	32	1-1/4	BAS-304-N	31	21,0	68	82	30,2	58,7	41	22	1-1/4	M10 (M12)	7/16-14 UNC
200	250	32	1-1/4	BAS-304-N100	25	21,0	68	82	30,2	58,7	41	20	1	M10 (M12)	7/16-14 UNC
200	200	38	1-1/2	BAS-305-N	38	25,0	79	96	35,7	69,9	44	24	1-1/2	M12 (M14)	1/2-13 UNC
200	200	38	1-1/2	BAS-305-N114	31	25,0	79	96	35,7	69,9	44	22	1-1/4	M12 (M14)	1/2-13 UNC
160	200	51	2	BAS-306-N	50	25,5	88	102	42,9	77,8	45	26	2	M12 (M14)	1/2-13 UNC
160	200	51	2	BAS-306-N112	38	25,5	88	102	42,9	77,8	45	24	1-1/2	M12 (M14)	1/2-13 UNC
100	160	64	2-1/2	BAS-307-N	63	26,0	101	115	50,8	88,9	50	30	2-1/2	M12 (M14)	1/2-13 UNC
100	160	64	2-1/2	BAS-307-N200	50	26,0	101	115	50,8	88,9	50	26	2	M12 (M14)	1/2-13 UNC
100	160	76	3	BAS-308-N	73	27,5	127	137	61,9	106,4	50	30	3	M16	5/8-11 UNC
100	160	76	3	BAS-308-N212	63	27,5	127	137	61,9	106,4	50	30	2-1/2	M16	5/8-11 UNC
35	35	89	3-1/2	BAS-309-N	89	27,5	138	155	69,8	120,7	50	30	3-1/2	M16	5/8-11 UNC
35	35	102	4	BAS-310-N	99	27,5	147	163	77,8	130,2	50	30	4	M16	5/8-11 UNC
35	35	127	5	BAS-311-N	120	28,0	180	184	92,0	152,4	50	30	5	M16	5/8-11 UNC

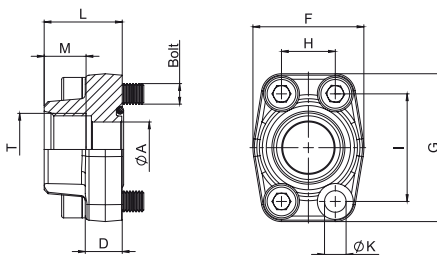
6000 PSI High Pressure Series (according to ISO 6162-2)

PN (bar) ¹		Nominal Size		Order Codes	Dimensions (mm)									Ø Thread	
8.8 Bolts	10.9 (MH) Bolts	DN	(in)		Ø A	D	F	G	H	I	L	M	T (NPT)	Metr.	UNC
350	400	13	1/2	BAS-601-N	14	16,5	47	57	18,2	40,5	36	15	1/2	M8	5/16-18 UNC
350	400	13	1/2	BAS-601-N038	14	16,5	47	57	18,2	40,5	36	20	3/8	M8	5/16-18 UNC
350	400	19	3/4	BAS-602-N	19	19,5	54	72	23,8	50,8	36	18	3/4	M10	3/8-16 UNC
350	400	19	3/4	BAS-602-N012	14	19,5	54	72	23,8	50,8	36	15	1/2	M10	3/8-16 UNC
350	400	25	1	BAS-603-N	25	24,5	68	82	27,8	57,2	44	20	1	M12	7/16-14 UNC
350	400	25	1	BAS-603-N034	19	24,5	68	82	27,8	57,2	44	18	3/4	M12	7/16-14 UNC
350	400	32	1-1/4	BAS-604-N	31	27,5	79	95	31,6	66,6	44	22	1-1/4	M12	1/2-13 UNC
350	400	32	1-1/4	BAS-604-NM14	31	27,5	79	95	31,6	66,6	44	22	1-1/4	M14	
350	400	32	1-1/4	BAS-604-N100	25	27,5	79	95	31,6	66,6	44	20	1	M12	1/2-13 UNC
350	400	32	1-1/4	BAS-604-NM14-100	25	27,5	79	95	31,6	66,6	44	20	1	M14	
350	400	38	1-1/2	BAS-605-N	38	31,0	88	108	36,5	79,3	51	24	1-1/2	M16	5/8-11 UNC
350	400	38	1-1/2	BAS-605-N114	31	31,0	88	108	36,5	79,3	51	22	1-1/4	M16	5/8-11 UNC
350	400	51	2	BAS-606-N	50	37,0	118	137	44,5	96,8	58	33	2	M20	3/4-10 UNC

¹ The maximum working pressure applies only to the flange itself and depends on the bolts used (Grade 8.8 / 10.9). The actual maximum working pressure depends on the thickness and the quality of the tube used.

³ Alternative options shown in brackets are available on request.

SAE Single-Part Screw-in UN Threaded Flange BFX-U



Order Codes

- * SAE Single-Part Screw-in UN Threaded Flange (without O-ring) **BFX-...-U****
- * Including Metric bolts 8.8, spring rings, O-ring made of NBR (Buna-N®) (packed in kits) **BFX-...-U**#K**
- * Including Metric bolts 10.9, spring rings, O-ring made of NBR (Buna-N®) (packed in kits) **BFX-...-U**-MH#K**
- * Including UNC bolts (Gr10), spring rings, O-ring made of FPM (Viton®) (packed in kits) **BFX-...-U**-V-U#K**

Material S355J0 or equivalent
Surface blank, oiled
Special Material Stainless Steel 1.4404 "-W5" on request

3000 PSI Standard Pressure Series (according to ISO 6162-1)

PN (bar) ¹		Nominal Size		Order Codes	Dimensions (mm)										for Bolts	
8.8 Bolts	10.9 (MH) Bolts	DN	(in)		Ø A	D	F	G	H	I	L	M	T (UN/UNF)	Ø K ³	Metr. ³	UNC
350	350	13	1/2	BFX-301-U3/4	13	16	47	57	17,5	38,1	36	14,3	3/4-16	8,7	M8x30	5/16-18 UNC x 1-1/4
350	350	19	3/4	BFX-302-U7/8	19	18	50	67	22,3	47,6	36	16,7	7/8-14	10,5	M10x35	3/8-16 UNC x 1-1/2
350	350	19	3/4	BFX-302-U11/16	19	18	50	67	22,3	47,6	36	16,7	1-1/16-12	10,5	M10x35	3/8-16 UNC x 1-1/2
250	315	25	1	BFX-303-U11/16	25	18	54	72	26,2	52,4	38	19,0	1-1/16-12	10,5	M10x35	3/8-16 UNC x 1-1/2
250	315	25	1	BFX-303-U15/16	25	18	54	72	26,2	52,4	38	19,0	1-5/16-12	10,5	M10x35	3/8-16 UNC x 1-1/2
200	250	32	1-1/4	BFX-304-U15/16	31	21	68	82	30,2	58,7	41	19,0	1-5/16-12	11,7 (12,5)	M10x40 (M12x40)	7/16-14 UNC x 1-1/2
200	250	32	1-1/4	BFX-304-U15/8	31	21	68	82	30,2	58,7	41	19,0	1-5/8-12	11,7 (12,5)	M10x40 (M12x40)	7/16-14 UNC x 1-1/2
200	200	38	1-1/2	BFX-305-U15/8	38	25	79	96	35,7	69,9	41	19,0	1-5/8-12	13,5 (14,5)	M12x45 (M14x45)	1/2-13 UNC x 1-3/4
200	200	38	1-1/2	BFX-305-U17/8	38	25	79	96	35,7	69,9	41	19,0	1-7/8-12	13,5 (14,5)	M12x45 (M14x45)	1/2-13 UNC x 1-3/4

6000 PSI High Pressure Series (according to ISO 6162-2)

PN (bar) ¹		Nominal Size		Order Codes	Dimensions (mm)										for Bolts	
8.8 Bolts	10.9 (MH) Bolts	DN	(in)		Ø A	D	F	G	H	I	L	M	T (UN/UNF)	Ø K	Metr.	UNC
350	400	13	1/2	BFX-601-U3/4	13	16,5	47	57	18,2	40,5	36	14,3	3/4-16	8,7	M8x30	5/16-18 UNC x 1-1/4
350	400	19	3/4	BFX-602-U7/8	19	19,5	54	72	23,8	50,8	36	16,7	7/8-14	10,5	M10x35	3/8-16 UNC x 1-1/2
350	400	19	3/4	BFX-602-U11/16	19	19,5	54	72	23,8	50,8	36	16,7	1-1/16-12	10,5	M10x35	3/8-16 UNC x 1-1/2
350	400	25	1	BFX-603-U11/16	25	24,5	68	82	27,8	57,1	44	19,0	1-1/16-12	13,0	M12x45	7/16-14 UNC x 1-3/4
350	400	25	1	BFX-603-U15/16	25	24,5	68	82	27,8	57,1	44	19,0	1-5/16-12	13,0	M12x45	7/16-14 UNC x 1-3/4
350	400	32	1-1/4	BFX-604-U15/16	31	27,5	79	95	31,6	66,7	44	19,0	1-5/16-12	13,5		1/2-13 UNC x 1-3/4
350	400	32	1-1/4	BFX-604-U15/16-M14	31	27,5	79	95	31,6	66,7	44	19,0	1-5/16-12	15,0	M14x45	
350	400	32	1-1/4	BFX-604-U15/8	31	27,5	79	95	31,6	66,7	44	19,0	1-5/8-12	13,5		1/2-13 UNC x 1-3/4
350	400	32	1-1/4	BFX-604-U15/8-M14	31	27,5	79	95	31,6	66,7	44	19,0	1-5/8-12	15,0	M14x45	
350	400	38	1-1/2	BFX-605-U15/8	38	31,0	88	108	36,5	79,4	51	19,0	1-5/8-12	17,0	M16x55	5/8-11 UNC x 2-1/4
350	400	38	1-1/2	BFX-605-U17/8	38	31,0	88	108	36,5	79,4	51	19,0	1-7/8-12	17,0	M16x55	5/8-11 UNC x 2-1/4

¹ The maximum working pressure applies only to the flange itself and depends on the bolts used (Grade 8.8 / 10.9). The actual maximum working pressure depends on the thickness and the quality of the tube used.

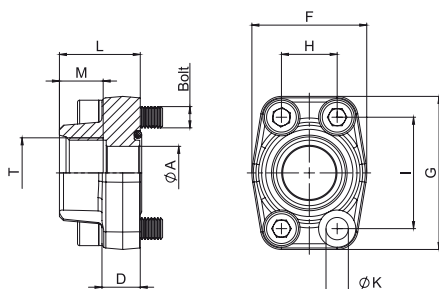
² For UNC threaded bolts, use hexagon head bolts only. Please note that these do not belong to our product range.

³ Alternative options shown in brackets are available on request.

SAE Single-Part Screw-in Metric Threaded Flange BFX-M

Order Codes

- * SAE Single-Part Screw-in Metric Threaded Flange (without O-ring) **BFX-...-M****
- * Including Metric bolts 8.8, spring rings, O-ring made of NBR (Buna-N®) (packed in kits) **BFX-...-M* *#K**
- * Including Metric bolts 10.9, spring rings, O-ring made of NBR (Buna-N®) (packed in kits) **BFX-...-M**-MH#K**



Material S355J0 or equivalent
Surface blank, oiled
Special Material Stainless Steel 1.4404 "-W5" on request

3000 PSI Standard Pressure Series (according to ISO 6162-1)

PN (bar) ¹		Nominal Size		Order Codes	Dimensions (mm)										for Bolts
8.8 Bolts	10.9 (MH) Bolts	DN	(in)		Ø A	D	F	G	H	I	L	M	T (Metric)	Ø K ³	Metr. ³
350	350	13	1/2	BFX-301-M18	13	16	47	57	17,5	38,1	36	15	18x1,5	8,7	M8x30
350	350	13	1/2	BFX-301-M20	13	16	47	57	17,5	38,1	36	15	20x1,5	8,7	M8x30
350	350	19	3/4	BFX-302-M22	19	18	50	67	22,3	47,6	36	16	22x1,5	10,5	M10x35
350	350	19	3/4	BFX-302-M27	19	18	50	67	22,3	47,6	36	19	27x2	10,5	M10x35
250	315	25	1	BFX-303-M27	25	18	54	72	26,2	52,4	38	19	27x2	10,5	M10x35
250	315	25	1	BFX-303-M33	25	18	54	72	26,2	52,4	38	19	33x2	10,5	M10x35
200	250	32	1-1/4	BFX-304-M33	31	21	68	82	30,2	58,7	41	19	33x2	10,5 (12,5)	M10x40 (M12x40)
200	250	32	1-1/4	BFX-304-M42	31	21	68	82	30,2	58,7	41	20	42x2	10,5 (12,5)	M10x40 (M12x40)
200	200	38	1-1/2	BFX-305-M42	38	25	79	96	35,7	69,9	44	20	42x2	13,5 (14,5)	M12x45 (M14x45)
200	200	38	1-1/2	BFX-305-M48	38	25	79	96	35,7	69,9	44	22	48x2	13,5 (14,5)	M12x45 (M14x45)

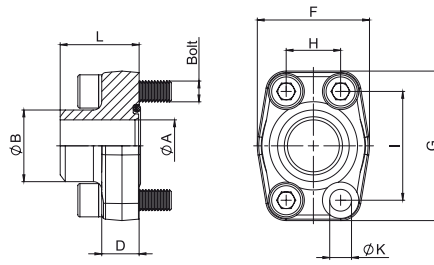
6000 PSI High Pressure Series (according to ISO 6162-2)

PN (bar) ¹		Nominal Size		Order Codes	Dimensions (mm)										for Bolts
8.8 Bolts	10.9 (MH) Bolts	DN	(in)		Ø A	D	F	G	H	I	L	M	T (Metric)	Ø K	Metr.
350	400	13	1/2	BFX-601-M18	13	16,5	47	57	18,2	40,5	36	15	18x1,5	8,7	M8x30
350	400	13	1/2	BFX-601-M20	13	16,5	47	57	18,2	40,5	36	15	20x1,5	8,7	M8x30
350	400	19	3/4	BFX-602-M22	19	19,5	54	72	23,8	50,8	36	16	22x1,5	10,5	M10x35
350	400	19	3/4	BFX-602-M27	19	19,5	54	72	23,8	50,8	36	19	27x2	10,5	M10x35
350	400	25	1	BFX-603-M27	25	24,5	68	82	27,8	57,2	44	19	27x2	13,0	M12x45
350	400	25	1	BFX-603-M33	25	24,5	68	82	27,8	57,2	44	19	33x2	13,0	M12x45
350	400	32	1-1/4	BFX-604-M33	31	27,5	79	95	31,6	66,6	44	19	33x2	13,5	M12x45
350	400	32	1-1/4	BFX-604-M33-M14	31	27,5	79	95	31,6	66,6	44	19	33x2	15,0	M14x45
350	400	32	1-1/4	BFX-604-M42	31	27,5	79	95	31,6	66,6	44	20	42x2	13,5	M12x45
350	400	32	1-1/4	BFX-604-M42-M14	31	27,5	79	95	31,6	66,6	44	20	42x2	15,0	M14x45
350	400	38	1-1/2	BFX-605-M42	38	31,0	88	108	36,5	79,3	51	20	42x2	17,0	M16x55
350	400	38	1-1/2	BFX-605-M48	38	31,0	88	108	36,5	79,3	51	22	48x2	17,0	M16x55

¹ The maximum working pressure applies only to the flange itself and depends on the bolts used (Grade 8.8 / 10.9). The actual maximum working pressure depends on the thickness and the quality of the tube used.

³ Alternative options shown in brackets are available on request.

SAE Single-Part Butt Weld Flange for High Pressure Tubes BFX-ST



Order Codes

- ★ SAE Single-Part Butt Weld Flange **BFX-...-ST-**-**** (without O-ring)
- ★ Including Metric bolts 8.8, **BFX-...-ST-**-**#K** spring rings, O-ring made of NBR (Buna-N®) (packed in kits)
- ★ Including Metric bolts 10.9, **BFX-...-ST-**-**MH#K** spring rings, O-ring made of NBR (Buna-N®) (packed in kits)
- ★ Including UNC bolts (Gr10), **BFX-...-ST-**-**V-U#K** spring rings, O-ring made of FPM (Viton®) (packed in kits)

Material S355J0 or equivalent
Surface blank, oiled
Special Material Stainless Steel 1.4404 "-W5" on request

3000 PSI Standard Pressure Series (according to ISO 6162-1)

PN (bar) ¹		Nominal Size		Order Codes	Dimensions (mm)										for Bolts	
8.8 Bolts	10.9 (MH) Bolts	DN	(in)		Ø A	Ø B	D	F	G	H	I	L	Ø K ³	Metr. ³	UNC	
350	350	13	1/2	BFX-301-ST-21,6/13	13	21,6	16,0	47	57	17,5	38,1	36	8,7	M8x30	5/16-18 UNC x 1-1/4	
350	350	13	1/2	BFX-301-ST-17,5/13	13	17,5	16,0	47	57	17,5	38,1	36	8,7	M8x30	5/16-18 UNC x 1-1/4	
350	350	19	3/4	BFX-302-ST-27,2/19	19	27,2	18,0	50	67	22,3	47,6	36	10,5	M10x35	3/8-16 UNC x 1-1/2	
250	315	25	1	BFX-303-ST-34/25	25	34,0	18,0	54	72	26,2	52,4	38	10,5	M10x35	3/8-16 UNC x 1-1/2	
200	250	32	1-1/4	BFX-304-ST-42,8/32	32	42,8	21,0	68	82	30,2	58,7	41	11,7 (12,5)	M10x40 (M12x40)	7/16-14 UNC x 1-1/2	
200	200	38	1-1/2	BFX-305-ST-48,6/38	38	48,6	25,0	79	96	35,7	69,8	44	13,5 (14,5)	M12x45 (M14x45)	1/2-13 UNC x 1-3/4	
160	200	51	2	BFX-306-ST-61/51	51	61,0	25,5	88	102	42,9	77,8	45	13,5 (14,5)	M12x45 (M14x45)	1/2-13 UNC x 1-3/4	
100	160	64	2-1/2	BFX-307-ST-77/63	63	77,0	26,0	101	115	50,8	88,9	50	13,5 (14,5)	M12x45 (M14x45)	1/2-13 UNC x 1-3/4	
100	160	76	3	BFX-308-ST-92/73	73	92,0	27,5	127	137	61,9	106,4	50	17,0	M16x50	5/8-11 UNC x 2	
35	35	89	3-1/2	BFX-309-ST-103/89	89	103,0	27,5	138	155	69,9	120,7	50	17,0	M16x50	5/8-11 UNC x 2	
35	35	102	4	BFX-310-ST-115,5/99	99	115,5	27,5	147	163	77,8	130,2	50	17,0	M16x50	5/8-11 UNC x 2	
35	35	127	5	BFX-311-ST-140,2/120	120	140,2	28,0	180	184	92,0	152,4	50	17,0	M16x55	5/8-11 UNC x 2-1/4	

6000 PSI High Pressure Series (according to ISO 6162-2)

PN (bar) ¹		Nominal Size		Order Codes	Dimensions (mm)										for Bolts	
8.8 Bolts	10.9 (MH) Bolts	DN	(in)		Ø A	Ø B	D	F	G	H	I	L	Ø K	Metr.	UNC	
350	400	13	1/2	BFX-601-ST-21,6/13	13	21,6	16,5	47	57	18,2	40,5	36	8,7	M8x30	5/16-18 UNC x 1-1/4	
350	400	13	1/2	BFX-601-ST-17,5/13	13	17,5	16,5	47	57	18,2	40,5	36	8,7	M8x30	5/16-18 UNC x 1-1/4	
350	400	19	3/4	BFX-602-ST-28/19	19	28,0	19,5	54	72	23,8	50,8	36	10,5	M10x35	3/8-16 UNC x 1-1/2	
350	400	25	1	BFX-603-ST-34/25	25	34,0	24,5	68	82	27,8	57,2	41	13,0	M12x45	7/16-14 UNC x 1-3/4	
350	400	32	1-1/4	BFX-604-ST-42,8/32	32	42,8	27,5	79	95	31,8	66,6	44	13,5	M12x45	1/2-13 UNC x 1-3/4	
350	400	32	1-1/4	BFX-604-ST-42,8/32-M14	32	42,8	27,5	79	95	31,8	66,6	44	15,0	M14x45		
350	400	32	1-1/4	BFX-604-ST-42,8/29	29	42,8	27,5	79	95	31,8	66,6	44	13,5	M12x45	1/2-13 UNC x 1-3/4	
350	400	32	1-1/4	BFX-604-ST-42,8/29-M14	29	42,8	27,5	79	95	31,8	66,6	44	15,0	M14x45		
350	400	38	1-1/2	BFX-605-ST-48,6/38	38	48,6	31,0	88	108	36,5	79,3	51	17,0	M16x55	5/8-11 UNC x 2-1/4	
350	400	38	1-1/2	BFX-605-ST-48,6/32	32	48,6	31,0	88	108	36,5	79,3	51	17,0	M16x55	5/8-11 UNC x 2-1/4	
350	400	51	2	BFX-606-ST-61/51	51	61,0	37,0	118	137	44,5	96,8	70	21,0	M20x70	3/4-10 UNC x 2-3/4	
350	400	51	2	BFX-606-ST-61/43	43	61,0	37,0	118	137	44,5	96,8	70	21,0	M20x70	3/4-10 UNC x 2-3/4	
350	400	64	2-1/2	BFX-607-ST-76,1/51	51	76,1	45,0	150	180	58,7	123,8	80	26,0	M24x90		
350	400	64	2-1/2	BFX-607-ST-90/60	60	90,0	45,0	150	180	58,7	123,8	80	26,0	M24x90		

¹ The maximum working pressure applies only to the flange itself and depends on the bolts used (Grade 8.8 / 10.9). The actual maximum working pressure depends on the thickness and the quality of the tube used.

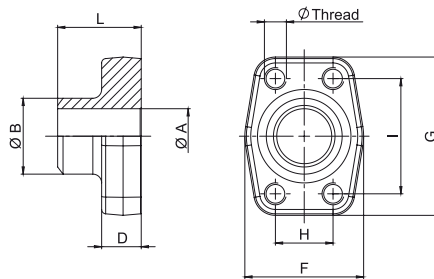
² For UNC threaded bolts, use hexagon head bolts only. Please note that these do not belong to our product range.

³ Alternative options shown in brackets are available on request.

SAE Single-Part Butt Weld Counterflange for High Pressure Tubes BAS-ST

Order Codes

- * SAE Single-Part Butt Weld Counterflange **BAS-...-ST-**-****
- * For UNC bolts **BAS-...-STU-**-****
- * For deviant Metric bolts (M14) **BAS-...-STM14-**-****



Material S355J0 or equivalent
Surface blank, oiled
Special Material Stainless Steel 1.4404 "-W5" on request

3000 PSI Standard Pressure Series (according to ISO 6162-1)

PN (bar) ¹		Nominal Size		Order Codes	Dimensions (mm)								Ø Thread	
8.8 Bolts	10.9 (MH) Bolts	DN	(in)		Ø A	Ø B	D	F	G	H	I	L	Metr. ³	UNC
350	350	13	1/2	BAS-301-ST-21,6/13	13	21,6	16,0	47	57	17,5	38,1	36	M8	5/16-18 UNC
350	350	13	1/2	BAS-301-ST-17,5/13	13	17,5	16,0	47	57	17,5	38,1	36	M8	5/16-18 UNC
350	350	19	3/4	BAS-302-ST-27,2/19	19	27,2	18,0	50	67	22,3	47,6	36	M10	3/8-16 UNC
250	315	25	1	BAS-303-ST-34/25	25	34,0	18,0	54	72	26,2	52,4	38	M10 (M12)	7/16-14 UNC
200	250	32	1-1/4	BAS-304-ST-42,8/32	32	42,8	21,0	68	82	30,2	58,7	41	M10 (M12)	7/16-14 UNC
200	200	38	1-1/2	BAS-305-ST-48,6/38	38	48,6	25,0	79	96	35,7	69,8	44	M12 (M14)	1/2-13 UNC
160	200	51	2	BAS-306-ST-61/51	51	61,0	25,5	88	102	42,9	77,8	45	M12 (M14)	1/2-13 UNC
100	160	64	2-1/2	BAS-307-ST-76,6/63	63	76,6	26,0	101	115	50,8	88,9	50	M12 (M14)	1/2-13 UNC
100	160	76	3	BAS-308-ST-92/73	73	92,0	27,5	127	137	61,9	106,4	50	M16	5/8-11 UNC
35	35	89	3-1/2	BAS-309-ST-103/89	89	103,0	27,5	138	155	69,9	120,7	50	M16	5/8-11 UNC
35	35	102	4	BAS-310-ST-115,5/99	99	115,5	27,5	147	163	77,8	130,2	50	M16	5/8-11 UNC
35	35	127	5	BAS-311-ST-140,2/120	120	140,2	28,0	180	184	92,0	152,4	50	M16	5/8-11 UNC

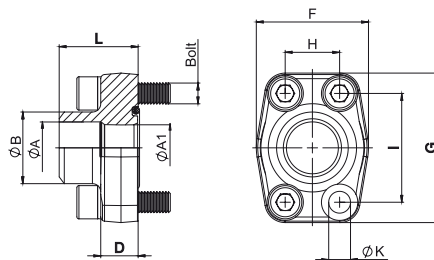
6000 PSI High Pressure Series (according to ISO 6162-2)

PN (bar) ¹		Nominal Size		Order Codes	Dimensions (mm)								Ø Thread	
8.8 Bolts	10.9 (MH) Bolts	DN	(in)		Ø A	Ø B	D	F	G	H	I	L	Metr.	UNC
350	400	13	1/2	BAS-601-ST-21,6/13	13,0	21,6	16,5	47	57	18,2	40,5	36	M8	5/16-18 UNC
350	400	13	1/2	BAS-601-ST-17,5/13	13,0	17,5	16,5	47	57	18,2	40,5	36	M8	5/16-18 UNC
350	400	19	3/4	BAS-602-ST-28/19	19,0	28,0	19,5	54	72	23,8	50,8	36	M10	3/8-16 UNC
350	400	25	1	BAS-603-ST-34/25	25,0	34,0	24,5	68	82	27,8	57,2	41	M12	1/2-13 UNC
350	400	32	1-1/4	BAS-604-ST-42,8/32	32,0	42,8	27,5	79	95	31,8	66,6	44	M12	1/2-13 UNC
350	400	32	1-1/4	BAS-604-STM14-42,8/32	32,0	42,8	27,5	79	95	31,8	66,6	44	M14	
350	400	32	1-1/4	BAS-604-ST-42,8/29	29,0	42,8	27,5	79	95	31,8	66,6	44	M12	1/2-13 UNC
350	400	32	1-1/4	BAS-604-STM14-42,8/29	29,0	42,8	27,5	79	95	31,8	66,6	44	M14	
350	400	38	1-1/2	BAS-605-ST-48,6/38	38,0	48,3	31,0	88	108	36,5	79,3	51	M16	5/8-11 UNC
350	400	38	1-1/2	BAS-605-ST-48,6/32	32,0	48,3	31,0	88	108	36,5	79,3	51	M16	5/8-11 UNC
350	400	51	2	BAS-606-ST-61/51	51,0	61,0	37,0	118	137	44,5	96,8	70	M20	3/4-10 UNC
350	400	51	2	BAS-606-ST-61/43	43,0	61,0	37,0	118	137	44,5	96,8	70	M20	3/4-10 UNC
350	400	64	2-1/2	BAS-607-ST-76,1/51	51,0	76,1	45,0	150	180	58,7	123,8	80	M24	
350	400	64	2-1/2	BAS-607-ST-90/60,5	60,5	90,0	45,0	150	180	58,7	123,8	80	M24	

¹ The maximum working pressure applies only to the flange itself and depends on the bolts used (Grade 8.8 / 10.9). The actual maximum working pressure depends on the thickness and the quality of the tube used.

³ Alternative options shown in brackets are available on request.

SAE Single-Part Butt Weld Flange for Low Pressure Tubes BFX-STRE



Order Codes

- ★ SAE Single-Part Butt Weld Flange (without O-ring) **BFX-...-STRE-**-****
- ★ Including Metric bolts 8.8, spring rings, O-ring made of NBR (Buna-N®) (packed in kits) **BFX-...-STRE-**-**#K**
- ★ Including Metric bolts 10.9, spring rings, O-ring made of NBR (Buna-N®) (packed in kits) **BFX-...-STRE-**-**-MH#K**
- ★ Including UNC bolts (Gr10), spring rings, O-ring made of FPM (Viton®) (packed in kits) **BFX-...-STRE-**-**-V-U#K**

Material S355J0 or equivalent
Surface blank, oiled
Special Material Stainless Steel 1.4404 "-W5" on request

3000 PSI Standard Pressure Series (according to ISO 6162-1)

PN (bar) ¹		Nominal Size		Order Codes	Dimensions (mm)										for Bolts	
8.8 Bolts	10.9 (MH) Bolts	DN	(in)		Ø A	Ø A1	Ø B	D	F	G	H	I	L	Ø K ³	Metr. ³	UNC
350	350	13	1/2	BFX-301-STRE-22/16	16,0	13,0	22,0	16,0	47	57	17,5	38,1	36	8,7	M8x30	5/16-18 UNC x 1-1/4
350	350	19	3/4	BFX-302-STRE-28/21,5	21,5	19,0	28,0	18,0	50	67	22,3	47,6	36	10,5	M10x35	3/8-16 UNC x 1-1/2
250	315	25	1	BFX-303-STRE-35/27	27,0	25,0	35,0	18,0	54	72	26,2	52,4	38	10,5	M10x35	3/8-16 UNC x 1-1/2
200	250	32	1-1/4	BFX-304-STRE-43/36	36,0	31,0	43,0	21,0	68	82	30,2	58,7	41	11,7 (12,5)	M10x40 (M12x40)	7/16-14 UNC x 1-1/2
200	200	38	1-1/2	BFX-305-STRE-49/42	42,0	38,0	49,0	25,0	79	96	35,7	69,8	44	13,5 (14,5)	M12x45 (M14x45)	1/2-13 UNC x 1-3/4
160	200	51	2	BFX-306-STRE-49/42	42,0	42,0	49,0	25,5	88	102	42,9	77,8	45	13,5 (14,5)	M12x45 (M14x45)	1/2-13 UNC x 1-3/4
160	200	51	2	BFX-306-STRE-61/53	53,0	49,0	61,0	25,5	88	102	42,9	77,8	45	13,5 (14,5)	M12x45 (M14x45)	1/2-13 UNC x 1-3/4
100	160	64	2-1/2	BFX-307-STRE-61/53	53,0	53,0	61,0	26,0	101	115	50,8	88,9	50	13,5 (14,5)	M12x45 (M14x45)	1/2-13 UNC x 1-3/4
100	160	64	2-1/2	BFX-307-STRE-77/70	70,0	62,0	77,0	26,0	101	115	50,8	88,9	50	13,5 (14,5)	M12x45 (M14x45)	1/2-13 UNC x 1-3/4
100	160	76	3	BFX-308-STRE-90/82	82,0	74,0	90,0	27,5	127	137	61,9	106,4	50	17,0	M16x50	5/8-11 UNC x 2
35	35	89	3-1/2	BFX-309-STRE-90/82	82,0	82,0	90,0	27,5	138	155	69,9	120,7	50	17,0	M16x50	5/8-11 UNC x 2
35	35	89	3-1/2	BFX-309-STRE-77/70	70,0	70,0	77,0	27,5	138	155	69,9	120,7	50	17,0	M16x50	5/8-11 UNC x 2
35	35	102	4	BFX-310-STRE-90/82	82,0	82,0	90,0	27,5	147	163	77,8	130,2	50	17,0	M16x50	5/8-11 UNC x 2
35	35	102	4	BFX-310-STRE-115/107	107,0	102,0	115,0	27,5	147	163	77,8	130,2	50	17,0	M16x50	5/8-11 UNC x 2
35	35	127	5	BFX-311-STRE-140/131	131,0	120,0	140,2	28,0	180	184	92,0	152,4	50	17,0	M16x55	5/8-11 UNC x 2-1/4

¹ The maximum working pressure applies only to the flange itself and depends on the bolts used (Grade 8.8 / 10.9). The actual maximum working pressure depends on the thickness and the quality of the tube used.

³ Alternative options shown in brackets are available on request.

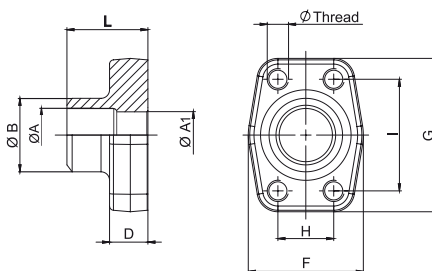
SAE Single-Part Butt Weld Counterflange for Low Pressure Tubes BAS-STRE

Order Codes

★ SAE Single-Part Butt Weld Counterflange (without O-ring) **BAS-...-STRE-**/****

★ For UNC bolts **BAS-...-STREU-**/****

★ For deviant Metric bolts (M14) **BAS-...-STREM14-**/****



Material S355J0 or equivalent
Surface blank, oiled
Special Material Stainless Steel 1.4404 "W5" on request

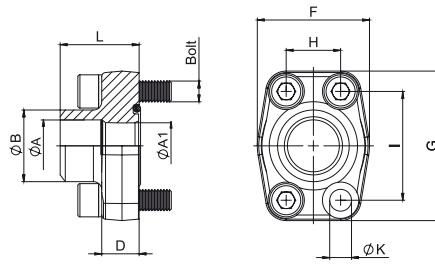
3000 PSI Standard Pressure Series (according to ISO 6162-1)

PN (bar) ¹		Nominal Size		Order Codes	Dimensions (mm)									Ø Thread	
8.8 Bolts	10.9 (MH) Bolts	DN	(in)		Ø A	Ø A1	Ø B	D	F	G	H	I	L	Metr. ³	UNC
350	350	13	1/2	BAS-301-STRE-22/16	16,0	13	22	16,0	47	57	17,5	38,1	36	M8	5/16-18 UNC
350	350	19	3/4	BAS-302-STRE-28/21,5	21,5	19	28	18,0	50	67	22,3	47,6	36	M10	3/8-16 UNC
250	315	25	1	BAS-303-STRE-35/27	27,0	25	35	18,0	54	72	26,2	52,4	38	M10	3/8-16 UNC
200	250	32	1-1/4	BAS-304-STRE-43/36	36,0	31	43	21,0	68	82	30,2	58,7	41	M10 (M12)	7/16-14 UNC
200	200	38	1-1/2	BAS-305-STRE-49/42	42,0	38	49	25,0	79	96	35,7	69,8	44	M12 (M14)	1/2-13 UNC
160	200	51	2	BAS-306-STRE-49/42	42,0	42	49	25,5	88	102	42,9	77,8	45	M12 (M14)	1/2-13 UNC
160	200	51	2	BAS-306-STRE-61/53	53,0	49	61	25,5	88	102	42,9	77,8	45	M12 (M14)	1/2-13 UNC
100	160	64	2-1/2	BAS-307-STRE-61/53	53,0	53	61	26,0	101	115	50,8	88,9	50	M12 (M14)	1/2-13 UNC
100	160	64	2-1/2	BAS-307-STRE-77/70	70,0	62	77	26,0	101	115	50,8	88,9	50	M12 (M14)	1/2-13 UNC
100	160	76	3	BAS-308-STRE-90/82	82,0	74	90	27,5	127	137	61,9	106,4	50	M16	5/8-11 UNC
35	35	89	3-1/2	BAS-309-STRE-90/82	82,0	82	90	27,5	138	155	69,9	120,7	50	M16	5/8-11 UNC
35	35	89	3-1/2	BAS-309-STRE-77/70	70,0	70	77	27,5	138	155	69,9	120,7	50	M16	5/8-11 UNC
35	35	102	4	BAS-310-STRE-90/82	82,0	82	90	27,5	147	163	77,8	130,2	50	M16	5/8-11 UNC
35	35	102	4	BAS-310-STRE-115/107	107,0	102	115	27,5	147	163	77,8	130,2	50	M16	5/8-11 UNC
35	35	127	5	BAS-311-STRE-140/131	131,0	120	140,2	28,0	180	184	92,0	152,4	50	M16	5/8-11 UNC

¹ The maximum working pressure applies only to the flange itself and depends on the bolts used (Grade 8.8 / 10.9). The actual maximum working pressure depends on the thickness and the quality of the tube used.

³ Alternative options shown in brackets are available on request.

SAE Single-Part Butt Weld Flange for Metric Tubes BFX-SRE



Order Codes

- ★ SAE Single-Part Butt Weld Flange (without O-ring) **BFX-...-SRE-**-****
- ★ Including Metric bolts 8.8, spring rings, O-ring made of NBR (Buna-N®) (packed in kits) **BFX-...-SRE-**-**/**#K**
- ★ Including Metric bolts 10.9, spring rings, O-ring made of NBR (Buna-N®) (packed in kits) **BFX-...-SRE-**-**/**-MH#K**
- ★ Including UNC bolts (Gr10), spring rings, O-ring made of FPM (Viton®) (packed in kits) **BFX-...-SRE-**-**/**-V-U#K**

Material S355J0 or equivalent
Surface blank, oiled
Special Material Stainless Steel 1.4404 "-W5" on request

3000 PSI Standard Pressure Series (according to ISO 6162-1)

PN (bar) ¹		Nominal Size		Order Codes	Dimensions (mm)										for Bolts	
8.8 Bolts	10.9 (MH) Bolts	DN	(in)		Ø A	Ø A1	Ø B	D	F	G	H	I	L	Ø K ³	Metr. ³	UNC
350	350	13	1/2	BFX-301-SRE-20/14	14,0	14	20	16,0	47	57	17,5	38,1	36	8,7	M8x30	5/16-18 UNC x 1-1/4
350	350	13	1/2	BFX-301-SRE-22/16	16,0	13	22	16,0	47	57	17,5	38,1	36	8,7	M8x30	5/16-18 UNC x 1-1/4
350	350	19	3/4	BFX-302-SRE-25/19	19,0	19	25	18,0	50	67	22,3	47,6	36	10,5	M10x35	3/8-16 UNC x 1-1/2
350	350	19	3/4	BFX-302-SRE-28/21,5	21,5	19	28	18,0	50	67	22,3	47,6	36	10,5	M10x35	3/8-16 UNC x 1-1/2
250	315	25	1	BFX-303-SRE-30/22	22,0	22	30	18,0	54	72	26,2	52,4	38	10,5	M10x35	3/8-16 UNC x 1-1/2
250	315	25	1	BFX-303-SRE-35/27	27,0	25	35	18,0	54	72	26,2	52,4	38	10,5	M10x35	3/8-16 UNC x 1-1/2
200	250	32	1-1/4	BFX-304-SRE-38/30	30,0	30	38	21,0	68	82	30,2	58,7	41	11,7 (12,5)	M10x40 (M12x40)	7/16-14 UNC x 1-1/2
200	250	32	1-1/4	BFX-304-SRE-43/36	36,0	31	43	21,0	68	82	30,2	58,7	41	11,7 (12,5)	M10x40 (M12x40)	7/16-14 UNC x 1-1/2
200	200	38	1-1/2	BFX-305-SRE-38/30	30,0	30	38	25,0	79	96	35,7	69,9	44	13,5 (14,5)	M12x45 (M14x45)	1/2-13 UNC x 1-3/4
200	200	38	1-1/2	BFX-305-SRE-42/36	36,0	36	42	25,0	79	96	35,7	69,9	44	13,5 (14,5)	M12x45 (M14x45)	1/2-13 UNC x 1-3/4
200	200	38	1-1/2	BFX-305-SRE-49/38	38,0	38	49	25,0	79	96	35,7	69,9	44	13,5 (14,5)	M12x45 (M14x45)	1/2-13 UNC x 1-3/4
160	200	51	2	BFX-306-SRE-61/49	49,0	49	61	25,5	88	102	42,9	77,8	45	13,5 (14,5)	M12x45 (M14x45)	1/2-13 UNC x 1-3/4
100	160	64	2-1/2	BFX-307-SRE-77/62	62,0	62	77	26,0	101	115	50,8	88,9	50	13,5 (14,5)	M12x45 (M14x45)	1/2-13 UNC x 1-3/4
100	160	76	3	BFX-308-SRE-77/62	62,0	62	77	27,5	127	137	61,9	106,4	50	17,0	M16x50	5/8-11 UNC x 2

6000 PSI High Pressure Series (according to ISO 6162-2)

PN (bar) ¹		Nominal Size		Order Codes	Dimensions (mm)										for Bolts	
8.8 Bolts	10.9 (MH) Bolts	DN	(in)		Ø A	Ø A1	Ø B	D	F	G	H	I	L	Ø K	Metr.	UNC
350	400	13	1/2	BFX-601-SRE-20/14	14	14	20	16,5	47	57	18,2	40,5	36	8,7	M8x30	5/16-18 UNC x 1-1/4
350	400	19	3/4	BFX-602-SRE-20/14	14	14	20	19,5	54	72	23,8	50,8	36	10,5	M10x35	3/8-16 UNC x 1-1/2
350	400	19	3/4	BFX-602-SRE-25/17	17	17	25	19,5	54	72	23,8	50,8	36	10,5	M10x35	3/8-16 UNC x 1-1/2
350	400	25	1	BFX-603-SRE-25/17	17	17	25	24,5	68	82	27,8	57,2	44	13,0	M12x45	7/16-14 UNC x 1-3/4
350	400	25	1	BFX-603-SRE-30/22	22	22	30	24,5	68	82	27,8	57,2	44	13,0	M12x45	7/16-14 UNC x 1-3/4
350	400	32	1-1/4	BFX-604-SRE-30/22	22	22	30	27,5	79	95	31,6	66,6	44	13,5	M12x45	1/2-13 UNC x 1-3/4
350	400	32	1-1/4	BFX-604-SRE-30/22-M14	22	22	30	27,5	79	95	31,6	66,6	44	15,0	M14x45	
350	400	32	1-1/4	BFX-604-SRE-38/26	26	26	38	27,5	79	95	31,6	66,6	44	13,5	M12x45	1/2-13 UNC x 1-3/4
350	400	32	1-1/4	BFX-604-SRE-38/26-M14	26	26	38	27,5	79	95	31,6	66,6	44	15,0	M14x45	
350	400	38	1-1/2	BFX-605-SRE-38/26	26	26	38	28,0	88	108	36,5	79,3	56	17,0	M16x55	5/8-11 UNC x 2-1/4
350	400	38	1-1/2	BFX-605-SRE-49/32	32	32	49	28,0	88	108	36,5	79,3	56	17,0	M16x55	5/8-11 UNC x 2-1/4
350	400	38	1-1/2	BFX-605-SRE-61/40	40	40	61	28,0	88	108	36,5	79,3	56	17,0	M16x55	5/8-11 UNC x 2-1/4
350	400	51	2	BFX-606-SRE-61/40	40	40	61	37,0	118	137	44,5	96,8	70	21,0	M20x70	3/4-10 UNC x 2-3/4
350	400	51	2	BFX-606-SRE-76/50	50	48	76	33,0	118	137	44,5	96,8	70	21,0	M20x65	3/4-10 UNC x 2-1/2

¹ The maximum working pressure applies only to the flange itself and depends on the bolts used (Grade 8.8 / 10.9). The actual maximum working pressure depends on the thickness and the quality of the tube used.

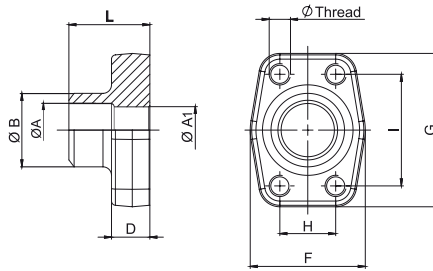
² For UNC threaded bolts, use hexagon head bolts only. Please note that these do not belong to our product range.

³ Alternative options shown in brackets are available on request.

SAE Single-Part Butt Weld Counterflange for Metric Tubes BAS-SRE

Order Codes

- ★ SAE Single-Part Butt Weld Counterflange **BAS-...-SRE-**-**/****
- ★ For UNC bolts **BAS-...-SREU-**-**/****
- ★ For deviant Metric bolts (M14) **BAS-...-SREM14-**-**/****



Material S355J0 or equivalent
Surface blank, oiled
Special Material Stainless Steel 1.4404 "W5" on request

3000 PSI Standard Pressure Series (according to ISO 6162-1)

PN (bar) ¹		Nominal Size		Order Codes	Dimensions (mm)									Ø Thread	
8.8 Bolts	10.9 (MH) Bolts	DN	(in)		Ø A	Ø A1	Ø B	D	F	G	H	I	L	Metr. ³	UNC
350	350	13	1/2	BAS-301-SRE-20/14	14,0	14	20	16,0	47	57	17,5	38,1	36	M8	5/16-18 UNC
350	350	13	1/2	BAS-301-SRE-22/16	16,0	13	22	16,0	47	57	17,5	38,1	36	M8	5/16-18 UNC
350	350	19	3/4	BAS-302-SRE-25/19	19,0	19	25	18,0	50	67	22,3	47,6	36	M10	3/8-16 UNC
350	350	19	3/4	BAS-302-SRE-28/21,5	21,5	19	28	18,0	50	67	22,3	47,6	36	M10	3/8-16 UNC
250	315	25	1	BAS-303-SRE-30/22	22,0	22	30	18,0	54	72	26,2	52,4	38	M10	3/8-16 UNC
250	315	25	1	BAS-303-SRE-35/27	27,0	25	35	18,0	54	72	26,2	52,4	38	M10	3/8-16 UNC
200	250	32	1-1/4	BAS-304-SRE-38/30	30,0	30	38	21,0	68	82	30,2	58,7	41	M10 (M12)	7/16-14 UNC
200	250	32	1-1/4	BAS-304-SRE-43/36	36,0	31	43	21,0	68	82	30,2	58,7	41	M10 (M12)	7/16-14 UNC
200	200	38	1-1/2	BAS-305-SRE-38/30	30,0	30	38	25,0	79	96	35,7	69,9	44	M12 (M14)	1/2-13 UNC
200	200	38	1-1/2	BAS-305-SRE-42/36	36,0	36	42	25,0	79	96	35,7	69,9	44	M12 (M14)	1/2-13 UNC
200	200	38	1-1/2	BAS-305-SRE-49/38	38,0	38	49	25,0	79	96	35,7	69,9	44	M12 (M14)	1/2-13 UNC
160	200	51	2	BAS-306-SRE-61/49	49,0	49	61	25,5	88	102	42,9	77,8	45	M12 (M14)	1/2-13 UNC
100	160	64	2-1/2	BAS-307-SRE-77/62	62,0	62	77	26,0	101	115	50,8	88,9	50	M12 (M14)	1/2-13 UNC
100	160	76	3	BAS-308-SRE-77/62	62,0	62	77	27,5	127	137	61,9	106,4	50	M16	5/8-11 UNC

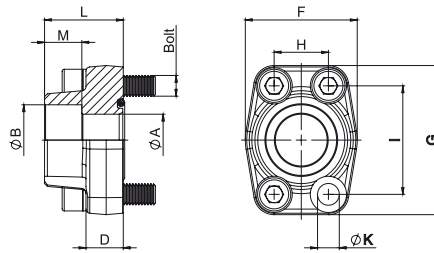
6000 PSI High Pressure Series (according to ISO 6162-2)

PN (bar) ¹		Nominal Size		Order Codes	Dimensions (mm)									Ø Thread	
8.8 Bolts	10.9 (MH) Bolts	DN	(in)		Ø A	Ø A1	Ø B	D	F	G	H	I	L	Metr.	UNC
350	400	13	1/2	BAS-601-SRE-20/14	14	14	20	16,5	47	57	18,2	40,5	36	M8	5/16-18 UNC
350	400	19	3/4	BAS-602-SRE-20/14	14	14	20	19,5	54	72	23,8	50,8	36	M10	3/8-16 UNC
350	400	19	3/4	BAS-602-SRE-25/17	17	17	25	19,5	54	72	23,8	50,8	36	M10	3/8-16 UNC
350	400	25	1	BAS-603-SRE-25/17	17	17	25	24,5	68	82	27,8	57,2	44	M12	7/16-14 UNC
350	400	25	1	BAS-603-SRE-30/22	22	22	30	24,5	68	82	27,8	57,2	44	M12	7/16-14 UNC
350	400	32	1-1/4	BAS-604-SRE-30/22	22	22	30	27,5	79	95	31,6	66,6	44	M12	1/2-13 UNC
350	400	32	1-1/4	BAS-604-SREM14-30/22	22	22	30	27,5	79	95	31,6	66,6	44	M14	
350	400	32	1-1/4	BAS-604-SRE-38/26	26	26	38	27,5	79	95	31,6	66,6	44	M12	1/2-13 UNC
350	400	32	1-1/4	BAS-604-SREM14-38/26	26	26	38	27,5	79	95	31,6	66,6	44	M14	
350	400	38	1-1/2	BAS-605-SRE-38/26	26	26	38	28,0	88	108	36,5	79,3	56	M16	5/8-11 UNC
350	400	38	1-1/2	BAS-605-SRE-49/32	32	32	49	28,0	88	108	36,5	79,3	56	M16	5/8-11 UNC
350	400	38	1-1/2	BAS-605-SRE-61/40	40	40	61	28,0	88	108	36,5	79,3	56	M16	5/8-11 UNC
350	400	51	2	BAS-606-SRE-61/40	40	40	61	37,0	118	137	44,5	96,8	70	M20	3/4-10 UNC
350	400	51	2	BAS-606-SRE-76/50	50	48	76	33,0	118	137	44,5	96,8	70	M20	3/4-10 UNC

¹ The maximum working pressure applies only to the flange itself and depends on the bolts used (Grade 8.8 / 10.9). The actual maximum working pressure depends on the thickness and the quality of the tube used.

³ Alternative options shown in brackets are available on request.

**SAE Single-Part Socket Weld Flange
BFX-ES**



Material S355J0 or equivalent
Surface blank, oiled
Special Material Stainless Steel 1.4404 "-W5" on request

Order Codes

- ★ SAE Single-Part Socket Weld Flange (without O-ring) **BFX-...-ES-**-**/****
- ★ Including Metric bolts 8.8, spring rings, O-ring made of NBR (Buna-N®) (packed in kits) **BFX-...-ES-**-**/**#K**
- ★ Including Metric bolts 10.9, spring rings, O-ring made of NBR (Buna-N®) (packed in kits) **BFX-...-ES-**-**/**-MH#K**
- ★ Including UNC bolts (Gr10), spring rings, O-ring made of FPM (Viton®) (packed in kits) **BFX-...-ES-**-**/**-V-U#K**

3000 PSI Standard Pressure Series (according to ISO 6162-1)

PN (bar) ¹		Nominal Size		Order Codes	Dimensions (mm)											for Bolts	
8.8 Bolts	10.9 (MH) Bolts	DN	(in)		Ø A	Ø B	D	F	G	H	I	L	M	Ø K ³	Metr. ³	UNC	
350	350	13	1/2	BFX-301-ES-21,6/13	13	21,6	16	47	57	17,5	38,1	36	18	8,7	M8x30	5/16-18 UNC x 1-1/4	
350	350	13	1/2	BFX-301-ES-17,5/13	13	17,5	16,0	47	57	17,5	38,1	36	18	8,7	M8x30	5/16-18 UNC x 1-1/4	
350	350	13	1/2	BFX-301-ES-20,3/13	13	20,3	16,0	47	57	17,5	38,1	36	18	8,7	M8x30	5/16-18 UNC x 1-1/4	
350	350	19	3/4	BFX-302-ES-27,2/19	19	27,2	18,0	50	67	22,3	47,6	36	18	10,5	M10x35	3/8-16 UNC x 1-1/2	
350	350	19	3/4	BFX-302-ES-25,3/19	19	25,3	18,0	50	67	22,3	47,6	36	18	10,5	M10x35	3/8-16 UNC x 1-1/2	
250	315	25	1	BFX-303-ES-34/25	25	34,0	18,0	54	72	26,2	52,4	38	18	10,5	M10x35	3/8-16 UNC x 1-1/2	
250	315	25	1	BFX-303-ES-30,3/25	25	30,3	18,0	54	72	26,2	52,4	38	18	10,5	M10x35	3/8-16 UNC x 1-1/2	
200	250	32	1-1/4	BFX-304-ES-42,8/32	32	42,8	21,0	68	82	30,2	58,7	41	20	11,7 (12,5)	M10x40 (M12x40)	7/16-14 UNC x 1-1/2	
200	250	32	1-1/4	BFX-304-ES-38,3/32	32	38,3	21,0	68	82	30,2	58,7	41	20	11,7 (12,5)	M10x40 (M12x40)	7/16-14 UNC x 1-1/2	
200	200	38	1-1/2	BFX-305-ES-48,6/38	38	48,6	25,0	79	96	35,7	69,9	44	22	13,5 (14,5)	M12x45 (M14x45)	1/2-13 UNC x 1-3/4	
200	200	38	1-1/2	BFX-305-ES-50,5/38	38	50,5	25,0	79	96	35,7	69,9	44	22	13,5 (14,5)	M12x45 (M14x45)	1/2-13 UNC x 1-3/4	
160	200	51	2	BFX-306-ES-61/51	51	61,0	25,5	88	102	42,9	77,8	45	24	13,5 (14,5)	M12x45 (M14x45)	1/2-13 UNC x 1-3/4	
100	160	64	2-1/2	BFX-307-ES-76,6/63	63	76,6	26,0	101	115	50,8	88,9	50	28	13,5 (14,5)	M12x45 (M14x45)	1/2-13 UNC x 1-3/4	
100	100	76	3	BFX-308-ES-90,5/73	73	90,5	27,5	127	137	61,9	106,4	50	28	17,0	M16x50	5/8-11 UNC x 2	
35	35	89	3-1/2	BFX-309-ES-103/89	89	103,0	27,5	138	155	69,9	120,7	50	30	17,0	M16x50	5/8-11 UNC x 2	
35	35	102	4	BFX-310-ES-115,5/99	99	115,5	27,5	147	163	77,8	130,2	50	30	17,0	M16x50	5/8-11 UNC x 2	
35	35	127	5	BFX-311-ES-142/120	120	142,0	28,0	180	184	92,1	152,4	50	30	17,0	M16x55	5/8-11 UNC x 2-1/4	

6000 PSI High Pressure Series (according to ISO 6162-2)

PN (bar) ¹		Nominal Size		Order Codes	Dimensions (mm)											for Bolts	
8.8 Bolts	10.9 (MH) Bolts	DN	(in)		Ø A	Ø B	D	F	G	H	I	L	M	Ø K ³	Metr.	UNC	
350	400	13	1/2	BFX-601-ES-21,6/13	13	21,6	16,5	47	57	18,2	40,5	36	18	8,7	M8x30	5/16-18 UNC x 1-1/4	
350	400	13	1/2	BFX-601-ES-17,5/13	13	17,5	16,5	47	57	18,2	40,5	36	18	8,7	M8x30	5/16-18 UNC x 1-1/4	
350	400	13	1/2	BFX-601-ES-20,3/13	13	20,3	16,5	47	57	18,2	40,5	36	18	8,7	M8x30	5/16-18 UNC x 1-1/4	
350	400	19	3/4	BFX-602-ES-27,2/19	19	27,2	19,5	54	72	23,8	50,8	36	20	10,5	M10x35	3/8-16 UNC x 1-1/2	
350	400	19	3/4	BFX-602-ES-25,3/19	19	25,3	19,5	54	72	23,8	50,8	36	20	10,5	M10x35	3/8-16 UNC x 1-1/2	
350	400	25	1	BFX-603-ES-34/25	25	34,0	24,5	68	82	27,8	57,2	44	22	13,0	M12x45	7/16-14 UNC x 1-3/4	
350	400	25	1	BFX-603-ES-30,3/25	25	30,3	24,5	68	82	27,8	57,2	44	22	13,0	M12x45	7/16-14 UNC x 1-3/4	
350	400	32	1-1/4	BFX-604-ES-42,8/32	32	42,8	27,5	79	95	31,8	66,6	44	22	13,5	M12x45	1/2-13 UNC x 1-3/4	
350	400	32	1-1/4	BFX-604-ES-42,8/32-M14	32	42,8	27,5	79	95	31,8	66,6	44	22	15,0	M14x45		
350	400	32	1-1/4	BFX-604-ES-38,3/32	32	38,3	27,5	79	95	31,8	66,6	44	22	13,5	M12x45	1/2-13 UNC x 1-3/4	
350	400	32	1-1/4	BFX-604-ES-38,3/32-M14	32	38,3	27,5	79	95	31,8	66,6	44	22	15,0	M14x45		
350	400	38	1-1/2	BFX-605-ES-48,6/38	38	48,6	31,0	88	108	36,5	79,3	51	24	17,0	M16x55	5/8-11 UNC x 2-1/4	
350	400	38	1-1/2	BFX-605-ES-50,5/38	38	50,5	31,0	88	108	36,5	79,3	51	24	17,0	M16x55	5/8-11 UNC x 2-1/4	
350	400	51	2	BFX-606-ES-61/51	51	61,0	37,0	118	137	44,5	96,8	70	33	21,0	M20x70	3/4-10 UNC x 2-3/4	
350	400	64	2-1/2	BFX-607-ES-76,6/63	63	76,6	45,0	152	180	58,7	123,8	80	32	26,0	M24x90		
350	400	76	3	BFX-608-ES-90,5/73	73	90,5	55,0	178	208	71,4	152,4	90	30	33,0	M30x100		

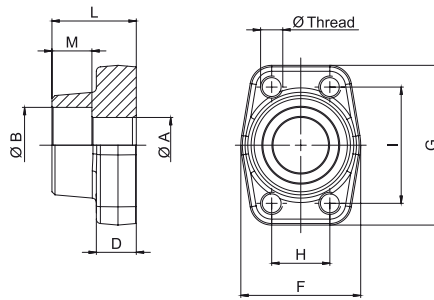
¹ The maximum working pressure applies only to the flange itself and depends on the bolts used (Grade 8.8 / 10.9). The actual maximum working pressure depends on the thickness and the quality of the tube used.

² For UNC threaded bolts, use hexagon head bolts only. Please note that these do not belong to our product range.

³ Alternative options shown in brackets are available on request.

**SAE Single-Part Socket Weld Counterflange
BAS-ES**
Order Codes

- * SAE Single-Part Butt Weld Counterflange **BAS-...-ES-*/****
- * For UNC bolts **BAS-...-ESU-*/****
- * For deviant Metric bolts (M14) **BAS-...-ESM14-*/****



Material S355J0 or equivalent
Surface blank, oiled
Special Material Stainless Steel 1.4404 "W5" on request

3000 PSI Standard Pressure Series (according to ISO 6162-1)

PN (bar) ¹		Nominal Size		Order Codes	Dimensions (mm)										Ø Thread	
8.8 Bolts	10.9 (MH) Bolts	DN	(in)		Ø A	Ø B	D	F	G	H	I	L	M	Metr. ³	UNC	
350	350	13	1/2	BAS-301-ES-21,6/13	13	21,6	16,0	47	57	17,5	38,1	36	18	M8	5/16-18 UNC	
350	350	13	1/2	BAS-301-ES-17,5/13	13	17,5	16,0	47	57	17,5	38,1	36	18	M8	5/16-18 UNC	
350	350	13	1/2	BAS-301-ES-20,3/13	13	20,3	16,0	47	57	17,5	38,1	36	18	M8	5/16-18 UNC	
350	350	19	3/4	BAS-302-ES-27,2/19	19	27,2	18,0	50	67	22,3	47,6	36	18	M10	3/8-16 UNC	
350	350	19	3/4	BAS-302-ES-25,3/19	19	25,3	18,0	50	67	22,3	47,6	36	18	M10	3/8-16 UNC	
250	315	25	1	BAS-303-ES-34/25	25	34,0	18,0	54	72	26,2	52,4	38	18	M10	3/8-16 UNC	
250	315	25	1	BAS-303-ES-30,3/25	25	30,3	18,0	54	72	26,2	52,4	38	18	M10	3/8-16 UNC	
200	250	32	1-1/4	BAS-304-ES-42,8/32	32	42,8	21,0	68	82	30,2	58,7	41	20	M10 (M12)	7/16-14 UNC	
200	250	32	1-1/4	BAS-304-ES-38,3/32	32	38,3	21,0	68	82	30,2	58,7	41	20	M10 (M12)	7/16-14 UNC	
200	200	38	1-1/2	BAS-305-ES-48,6/38	38	48,6	25,0	79	96	35,7	69,9	44	22	M12 (M14)	1/2-13 UNC	
200	200	38	1-1/2	BAS-305-ES-50,5/38	38	50,5	25,0	79	96	35,7	69,9	44	22	M12 (M14)	1/2-13 UNC	
160	200	51	2	BAS-306-ES-61/51	51	61,0	25,5	88	102	42,9	77,8	45	24	M12 (M14)	1/2-13 UNC	
100	160	64	2-1/2	BAS-307-ES-76,6/63	63	76,6	26,0	101	115	50,8	88,9	50	28	M12 (M14)	1/2-13 UNC	
100	100	76	3	BAS-308-ES-90,5/73	73	90,5	27,5	127	137	61,9	106,4	50	28	M16	5/8-11 UNC	
35	35	89	3-1/2	BAS-309-ES-103/89	89	103,0	27,5	138	155	69,9	120,7	50	30	M16	5/8-11 UNC	
35	35	102	4	BAS-310-ES-115,5/99	99	115,5	27,5	147	163	77,8	130,2	50	30	M16	5/8-11 UNC	
35	35	127	5	BAS-311-ES-142/120	120	142,0	28,0	180	184	92,1	152,4	50	30	M16	5/8-11 UNC	

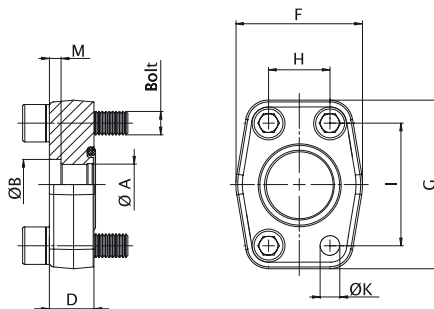
6000 PSI High Pressure Series (according to ISO 6162-2)

PN (bar) ¹		Nominal Size		Order Codes	Dimensions (mm)										Ø Thread	
8.8 Bolts	10.9 (MH) Bolts	DN	(in)		Ø A	Ø B	D	F	G	H	I	L	M	Metr.	UNC	
350	400	13	1/2	BAS-601-ES-21,6/13	13	21,6	16,5	47	57	18,2	40,5	36	18	M8	5/16-18 UNC	
350	400	13	1/2	BAS-601-ES-17,5/13	13	17,5	16,5	47	57	18,2	40,5	36	18	M8	5/16-18 UNC	
350	400	13	1/2	BAS-601-ES-20,3/13	13	20,3	16,5	47	57	18,2	40,5	36	18	M8	5/16-18 UNC	
350	400	19	3/4	BAS-602-ES-27,2/19	19	27,2	19,5	54	72	23,8	50,8	36	20	M10	3/8-16 UNC	
350	400	19	3/4	BAS-602-ES-25,3/19	19	25,3	19,5	54	72	23,8	50,8	36	20	M10	3/8-16 UNC	
350	400	25	1	BAS-603-ES-34/25	25	34,0	24,5	68	82	27,8	57,2	44	22	M12	7/16-14 UNC	
350	400	25	1	BAS-603-ES-30,3/25	25	30,3	24,5	68	82	27,8	57,2	44	22	M12	7/16-14 UNC	
350	400	32	1-1/4	BAS-604-ES-42,8/32	32	42,8	27,5	79	95	31,8	66,6	44	22	M12	1/2-13 UNC	
350	400	32	1-1/4	BAS-604-ESM14-42,8/32	32	42,8	27,5	79	95	31,8	66,6	44	22	M14		
350	400	32	1-1/4	BAS-604-ES-38,3/32	32	38,3	27,5	79	95	31,8	66,6	44	22	M12	1/2-13 UNC	
350	400	32	1-1/4	BAS-604-ESM14-38,3/32	32	38,3	27,5	79	95	31,8	66,6	44	22	M14		
350	400	38	1-1/2	BAS-605-ES-48,6/38	38	48,6	31,0	88	108	36,5	79,3	51	24	M16	5/8-11 UNC	
350	400	38	1-1/2	BAS-605-ES-50,5/38	38	50,5	31,0	88	108	36,5	79,3	51	24	M16	5/8-11 UNC	
350	400	51	2	BAS-606-ES-61/51	51	61,0	37,0	118	137	44,5	96,8	70	33	M20	3/4-10 UNC	
350	400	64	2-1/2	BAS-607-ES-76,6/63	63	76,6	45,0	152	180	58,7	123,8	80	32	M24		
350	400	76	3	BAS-608-ES-90,5/73	73	90,5	55,0	178	208	71,4	152,4	90	30	M30		

¹ The maximum working pressure applies only to the flange itself and depends on the bolts used (Grade 8.8 / 10.9). The actual maximum working pressure depends on the thickness and the quality of the tube used.

³ Alternative options shown in brackets are available on request.

SAE Single-Part Socket Weld Flange (Flat Style) BFX-FL-ES



Order Codes

★ SAE Single-Part Socket Weld **BFX-FL-...-ES-**/****
Flange (Flat Style) (without O-ring)

★ Including Metric bolts 8.8, **BFX-FL-...-ES-**/**#K**
spring rings, O-ring made of NBR (Buna-N®)
(packed in kits)

Material S355J0 or equivalent
Surface blank, oiled
Special Material Stainless Steel 1.4404 "-W5" on request

3000 PSI Standard Pressure Series (according to ISO 6162-1)

PN (bar) ¹		Nominal Size		Order Codes	Dimensions (mm)									for Bolts
8.8 Bolts	10.9 (MH) Bolts	DN	(in)		Ø A	Ø B	D	F	G	H	I	M	Ø K	Metr.
40	40	13	1/2	BFX-FL-301-ES-22,5/15	15	22,5	10	47	57	17,5	38,1	3	8,7	M8x25
40	40	19	3/4	BFX-FL-302-ES-28,5/20	20	28,5	12	50	67	22,3	47,6	4	10,5	M10x30
40	40	25	1	BFX-FL-303-ES-35,5/29	29	35,5	12	54	72	26,2	52,4	4	10,5	M10x30
40	40	32	1-1/4	BFX-FL-304-ES-42,5/34	34	42,5	12	68	82	30,2	58,7	4	11,7	M10x30
40	40	38	1-1/2	BFX-FL-305-ES-49/42	42	49,0	15	79	96	35,7	69,9	4	13,5	M12x35
40	40	51	2	BFX-FL-306-ES-61/53	53	61,0	15	88	102	42,9	77,8	4	13,5	M12x35
40	40	64	2-1/2	BFX-FL-307-ES-77/64	64	77,0	15	101	115	50,8	88,9	4	13,5	M12x35
40	40	76	3	BFX-FL-308-ES-90/80	80	90,0	20	127	137	61,9	106,4	5	17,0	M16x50
35	35	89	3-1/2	BFX-FL-309-ES-103/93	93	103,0	20	138	155	69,9	120,7	5	17,0	M16x50
35	35	102	4	BFX-FL-310-ES-116/105	105	116,0	25	147	163	77,8	130,2	6	17,0	M16x50
35	35	125	5	BFX-FL-311-ES-141/126	126	141,0	28	170	190	92,1	152,4	8	17,0	M16x50

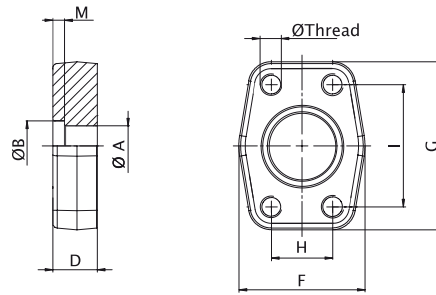
¹ The maximum working pressure applies only to the flange itself. The actual maximum working pressure depends on the thickness and the quality of the tube used.

SAE Single-Part Socket Weld Counterflange (Flat Style) BAS-FL-ES

Order Codes

* SAE Single-Part Butt Weld Counterflange (Flat Style)

BAS-FL-...-ES--**/****



Material S355J0 or equivalent
Surface blank, oiled
Special Material Stainless Steel 1.4404 "W5" on request

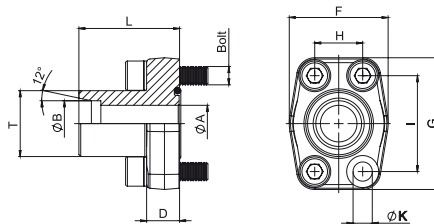
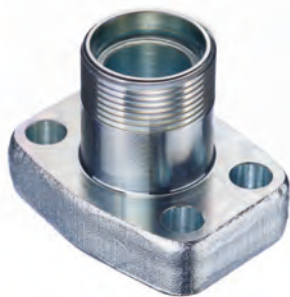
3000 PSI Standard Pressure Series (according to ISO 6162-1)

PN (bar) ¹		Nominal Size		Order Codes	Dimensions (mm)									Ø Thread
8.8 Bolts	10.9 (MH) Bolts	DN	(in)		Ø A	Ø B	D	F	G	H	I	M	Metr.	
40	40	13	1/2	BAS-FL-301-ES-22,5/15	15	22,5	10	47	57	17,5	38,1	3	M8	
40	40	19	3/4	BAS-FL-302-ES-28,5/20	20	28,5	12	50	67	22,3	47,6	4	M10	
40	40	25	1	BAS-FL-303-ES-35,5/29	29	35,5	12	54	72	26,2	52,4	4	M10	
40	40	32	1-1/4	BAS-FL-304-ES-42,5/34	34	42,5	12	68	82	30,2	58,7	4	M10	
40	40	38	1-1/2	BAS-FL-305-ES-49/42	42	49,0	15	79	96	35,7	69,9	4	M12	
40	40	51	2	BAS-FL-306-ES-61/53	53	61,0	15	88	102	42,9	77,8	4	M12	
40	40	64	2-1/2	BAS-FL-307-ES-77/64	64	77,0	15	101	115	50,8	88,9	4	M12	
40	40	76	3	BAS-FL-308-ES-90/80	80	90,0	20	127	137	61,9	106,4	5	M16	
35	35	89	3-1/2	BAS-FL-309-ES-103/93	93	103,0	20	138	155	69,9	120,7	5	M16	
35	35	102	4	BAS-FL-310-ES-116/105	105	116,0	25	147	163	77,8	130,2	6	M16	
35	35	125	5	BAS-FL-311-ES-141/126	126	141,0	28	170	190	92,1	152,4	8	M16	

¹ The maximum working pressure applies only to the flange itself. The actual maximum working pressure depends on the thickness and the quality of the tube used.

SAE Single-Part Fitting Flange with 24° Cone Connector (acc. to ISO 8434-1 / DIN 2353)

BFX-L/S



Order Codes

- ★ SAE Single-Part Fitting Flange (without O-ring) **BFX-...-L**/-S****
- ★ Including Metric bolts 8.8, spring rings, O-ring made of NBR (Buna-N®) (packed in kits) **BFX-...-L**#K**
- ★ Including Metric bolts 10.9, spring rings, O-ring made of NBR (Buna-N®) (packed in kits) **BFX-...-L**-MH#K**

Material S355J0 / C45 or equivalent
Surface CrVI-free
Special Material Stainless Steel 1.4404 " -W5" on request

3000 PSI Standard Pressure Series (according to ISO 6162-1)

PN (bar) ¹		Nominal Size		Order Codes	Dimensions (mm)										for Bolts
8.8 Bolts	10.9 (MH) Bolts	DN	(in)		Ø A	Ø B	D	F	G	H	I	L	T (Metric)	Ø K ³	Metr. ³
350	350	13	1/2	BFX-301-L15	11	15 L	16	43	57	17,5	38,1	47	22x1,5	8,7	M8x30
350	350	19	3/4	BFX-302-S20	16	20 S	18	50	67	22,3	47,6	52	30x2,0	10,5	M10x35
350	350	19	3/4	BFX-302-L22	19	22 L	18	50	67	22,3	47,6	52	30x2,0	10,5	M10x35
250	315	25	1	BFX-303-S20	16	20 S	18	54	72	26,2	52,4	55	30x2,0	10,5	M10x35
250	315	25	1	BFX-303-S25	20	25 S	18	54	72	26,2	52,4	55	36x2,0	10,5	M10x35
250	315	25	1	BFX-303-L28	23	28 L	18	54	72	26,2	52,4	55	36x2,0	10,5	M10x35
200	250	32	1-1/4	BFX-304-S25	20	25 S	21	68	82	30,2	58,7	60	36x2,0	11,7 (12,5)	M10x40 (M12x40)
200	250	32	1-1/4	BFX-304-S30	25	30 S	21	68	82	30,2	58,7	60	42x2,0	11,7 (12,5)	M10x40 (M12x40)
200	250	32	1-1/4	BFX-304-L35	30	35 L	21	68	82	30,2	58,7	60	45x2,0	11,7 (12,5)	M10x40 (M12x40)
200	200	38	1-1/2	BFX-305-S38	32	38 S	25	74	96	35,7	69,9	70	52x2,0	13,5 (14,5)	M12x45 (M14x45)
200	200	38	1-1/2	BFX-305-L42	36	42 L	25	74	96	35,7	69,9	70	52x2,0	13,5 (14,5)	M12x45 (M14x45)

6000 PSI High Pressure Series (according to ISO 6162-2)

PN (bar) ¹		Nominal Size		Order Codes	Dimensions (mm)										for Bolts
8.8 Bolts	10.9 (MH) Bolts	DN	(in)		Ø A	Ø B	D	F	G	H	I	L	T (Metric)	Ø K	Metr.
350	400	13	1/2	BFX-601-S16	12	16 S	16	43	57	18,2	40,5	47	24x1,5	8,7	M8x30
350	400	19	3/4	BFX-602-S16	12	16 S	18	54	72	23,8	50,8	54	24x1,5	10,5	M10x35
350	400	19	3/4	BFX-602-S20	16	20 S	18	54	72	23,8	50,8	54	30x2,0	10,5	M10x35
350	400	19	3/4	BFX-602-S25	18	25 S	18	54	72	23,8	50,8	54	36x2,0	10,5	M10x35
350	400	25	1	BFX-603-S20	16	20 S	21	68	82	27,8	57,2	60	30x2,0	13	M12x40
350	400	25	1	BFX-603-S30	25	30 S	21	68	82	27,8	57,2	60	42x2,0	13	M12x40
350	400	32	1-1/4	BFX-604-S30	25	30 S	24	75	95	31,8	66,6	68	42x2,0	13,5	M12x45
350	400	32	1-1/4	BFX-604-S30-M14	25	30 S	24	75	95	31,8	66,6	68	42x2,0	15	M14x45
350	400	32	1-1/4	BFX-604-S38	29	38 S	27	75	95	31,8	66,6	92	52x2,0	13,5	M12x45
350	400	32	1-1/4	BFX-604-S38-M14	29	38 S	27	75	95	31,8	66,6	92	52x2,0	15	M14x45
350	400	38	1-1/2	BFX-605-S38	32	38 S	27	84	108	36,5	79,3	72	52x2,0	17	M16x50

¹ The maximum working pressure applies only to the flange itself and depends on the bolts used (Grade 8.8 / 10.9). The actual maximum working pressure depends on the thickness and the quality of the tube used.

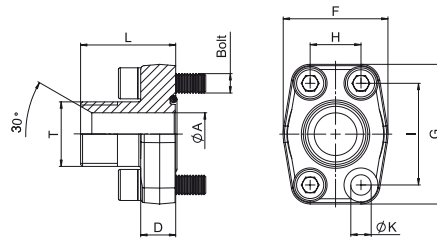
³ Alternative options shown in brackets are available on request.

SAE Single-Part Fitting Flange with BSP 60° Cone Connector (acc. to BS 5200)

BFX-B

Order Codes

- ★ SAE Single-Part Fitting Flange (without O-ring) **BFX-...-B**
- ★ Deviant 60° cone connector **BFX-...-B****
- ★ Including Metric bolts 8.8, spring rings, O-ring made of NBR (Buna-N®) (packed in kits) **BFX-...-B#K**
- ★ Including Metric bolts 10.9, spring rings, O-ring made of NBR (Buna-N®) (packed in kits) **BFX-...-B-MH#K**



Material S355J0 / C45 or equivalent
Surface CrVI-free
Special Material Stainless Steel 1.4404 "W5" on request

3000 PSI Standard Pressure Series (according to ISO 6162-1)

PN (bar) ¹		Nominal Size		Order Codes	Dimensions (mm)									for Bolts
8.8 Bolts	10.9 (MH) Bolts	DN	(in)		Ø A	D	F	G	H	I	L	T (BSPP)	Ø K ³	Metr. ³
350	350	13	1/2	BFX-301-B038	10	16	43	57	17,5	38,0	37	3/8	8,7	M8x30
350	350	13	1/2	BFX-301-B	12	16	43	57	17,5	38,0	39	1/2	8,7	M8x30
350	350	13	1/2	BFX-301-B034	13	16	43	57	17,5	38,0	42	3/4	8,7	M8x30
350	350	19	3/4	BFX-302-B012	12	18	50	67	22,3	47,6	42	1/2	10,5	M10x35
350	350	19	3/4	BFX-302-B	17	18	50	67	22,3	47,6	45	3/4	10,5	M10x35
350	350	19	3/4	BFX-302-B100	19	18	50	67	22,3	47,6	47	1	10,5	M10x35
250	315	25	1	BFX-303-B034	17	18	54	72	26,2	52,4	47	3/4	10,5	M10x35
250	315	25	1	BFX-303-B	22	18	54	72	26,2	52,4	49	1	10,5	M10x35
250	315	25	1	BFX-303-B114	25	18	54	72	26,2	52,4	49	1-1/4	10,5	M10x35
200	250	32	1-1/4	BFX-304-B100	22	21	68	82	30,2	58,7	53	1	11,7 (12,5)	M10x40 (M12x40)
200	250	32	1-1/4	BFX-304-B	27	21	68	82	30,2	58,7	55	1-1/4	11,7 (12,5)	M10x40 (M12x40)
200	250	32	1-1/4	BFX-304-B112	31	21	68	82	30,2	58,7	55	1-1/2	11,7 (12,5)	M10x40 (M12x40)
200	200	38	1-1/2	BFX-305-B114	27	24	74	96	35,7	69,9	59	1-1/4	13,5 (14,5)	M12x45 (M14x45)
200	200	38	1-1/2	BFX-305-B	34	24	74	96	35,7	69,9	61	1-1/2	13,5 (14,5)	M12x45 (M14x45)
200	200	38	1-1/2	BFX-305-B200	38	24	74	96	35,7	69,9	63	2	13,5 (14,5)	M12x45 (M14x45)
160	200	51	2	BFX-306-B112	34	25	88	102	42,9	77,8	69	1-1/2	13,5 (14,5)	M12x45 (M14x45)
160	200	51	2	BFX-306-B	42	25	88	102	42,9	77,8	69	2	13,5 (14,5)	M12x45 (M14x45)

6000 PSI High Pressure Series (according to ISO 6162-2)

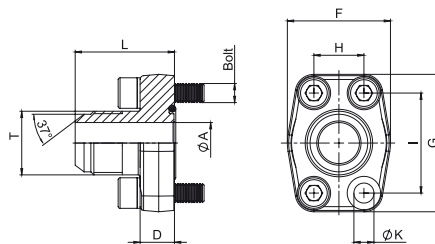
PN (bar) ¹		Nominal Size		Order Codes	Dimensions (mm)									for Bolts
8.8 Bolts	10.9 (MH) Bolts	DN	(in)		Ø A	D	F	G	H	I	L	T (BSPP)	Ø K	Metr.
350	400	13	1/2	BFX-601-B038	10	16	43	57	18,2	40,5	38	3/8	8,7	M8x30
350	400	13	1/2	BFX-601-B	12	16	43	57	18,2	40,5	40	1/2	8,7	M8x30
350	400	13	1/2	BFX-601-B034	13	16	43	57	18,2	40,5	43	3/4	8,7	M8x30
350	400	19	3/4	BFX-602-B012	12	18	54	72	23,8	50,8	44	1/2	10,5	M10x35
350	400	19	3/4	BFX-602-B	17	18	54	72	23,8	50,8	47	3/4	10,5	M10x35
350	400	19	3/4	BFX-602-B100	19	18	54	72	23,8	50,8	49	1	10,5	M10x35
350	400	25	1	BFX-603-B034	17	21	68	82	27,8	57,2	54	3/4	13	M12x40
350	400	25	1	BFX-603-B	22	21	68	82	27,8	57,2	56	1	13	M12x40
350	400	25	1	BFX-603-B114	25	21	68	82	27,8	57,2	56	1-1/4	13	M12x40
350	400	32	1-1/4	BFX-604-B100	22	24	75	95	31,8	66,6	61	1	13,5	M12x45
350	400	32	1-1/4	BFX-604-B100-M14	22	24	75	95	31,8	66,6	61	1	15	M14x45
350	400	32	1-1/4	BFX-604-B	27	24	75	95	31,8	66,6	61	1-1/4	13,5	M12x45
350	400	32	1-1/4	BFX-604-B-M14	27	24	75	95	31,8	66,6	61	1-1/4	15	M14x45
350	400	32	1-1/4	BFX-604-B112	31	24	75	95	31,8	66,6	63	1-1/2	13,5	M12x45
350	400	32	1-1/4	BFX-604-B112-M14	31	24	75	95	31,8	66,6	63	1-1/2	15	M14x45
350	400	38	1-1/2	BFX-605-B114	27	27	84	108	36,5	79,3	65	1-1/4	17	M16x50
350	400	38	1-1/2	BFX-605-B	32	27	84	108	36,5	79,3	67	1-1/2	17	M16x50

¹ The maximum working pressure applies only to the flange itself and depends on the bolts used (Grade 8.8 / 10.9). The actual maximum working pressure depends on the thickness and the quality of the tube used.

³ Alternative options shown in brackets are available on request.

SAE Single-Part Fitting Flange with JIC 37° Cone Connector (acc.to ISO 8434-2 / SAE J514)

BFX-J



Order Codes

- * SAE Single-Part Fitting Flange (without O-ring) **BFX-...-J****
- * Including Metric bolts 8.8, spring rings, O-ring made of NBR (Buna-N®) (packed in kits) **BFX-...-J**#K**
- * Including Metric bolts 10.9, spring rings, O-ring made of NBR (Buna-N®) (packed in kits) **BFX-...-J**-MH#K**
- * Including UNC bolts (Gr10), spring rings, O-ring made of FPM (Viton®) (packed in kits) **BFX-...-J**-V-U#K**

Material S355J0 / C45 or equivalent
Surface CrVI-free
Special Material Stainless Steel 1.4404 " -W5" on request

3000 PSI Standard Pressure Series (according to ISO 6162-1)

PN (bar) ¹		Nominal Size		Order Codes	Dimensions (mm)										for Bolts	
8.8 Bolts	10.9 (MH) Bolts	DN	(in)		Ø A	D	F	G	H	i	L	T (UN/UNF)	Ø K ³	Metr. ³	UNC	
350	350	13	1/2	BFX-301-J3/4	9,9	16	43	57	17,5	38,1	41	3/4-16	8,7	M8x30	5/16-18 UNC x 1-1/4	
350	350	13	1/2	BFX-301-J7/8	12,3	16	43	57	17,5	38,1	41	7/8-14	8,7	M8x30	5/16-18 UNC x 1-1/4	
350	350	19	3/4	BFX-302-J11/16	15,5	18	50	67	22,3	47,6	49	1-1/16-12	10,5	M10x35	3/8-16 UNC x 1-1/2	
250	315	25	1	BFX-303-J15/16	21,5	18	54	72	26,2	52,4	52	1-5/16-12	10,5	M10x35	3/8-16 UNC x 1-1/2	
200	200	32	1-1/4	BFX-304-J15/16	21,5	21	68	82	30,2	58,7	56	1-5/16-12	11,7 (12,5)	M10x40 (M12x40)	7/16-14 UNC x 1-1/2	
200	200	32	1-1/4	BFX-304-J15/8	27,5	21	68	82	30,2	58,7	58	1-5/8-12	11,7 (12,5)	M10x40 (M12x40)	7/16-14 UNC x 1-1/2	
160	160	38	1-1/2	BFX-305-J17/8	33,0	24	74	96	35,7	69,9	67	1-7/8-12	13,5 (14,5)	M12x45 (M14x45)	7/16-14 UNC x 1-3/4	

6000 PSI High Pressure Series (according to ISO 6162-2)

PN (bar) ¹		Nominal Size		Order Codes	Dimensions (mm)										for Bolts	
8.8 Bolts	10.9 (MH) Bolts	DN	(in)		Ø A	D	F	G	H	i	L	T (UN/UNF)	Ø K	Metr.	UNC	
350	400	13	1/2	BFX-601-J3/4	9,9	16	43	57	18,2	40,5	42	3/4-16	8,7	M8x30	5/16-18 UNC x 1-1/4	
350	400	13	1/2	BFX-601-J7/8	12,3	16	43	57	18,2	40,5	45	7/8-14	8,7	M8x30	5/16-18 UNC x 1-1/4	
350	400	19	3/4	BFX-602-J11/16	15,5	18	54	72	23,8	50,8	51	1-1/16-12	10,5	M10x35	3/8-16 UNC x 1-1/2	
350	400	25	1	BFX-603-J15/16	21,5	21	68	82	27,8	57,2	59	1-5/16-12	13,0	M12x40	7/16-14 UNC x 1-3/4	
350	400	32	1-1/4	BFX-604-J15/16	21,5	24	75	95	31,6	66,6	64	1-5/16-12	13,5	M12x45	1/2-13 UNC x 1-3/4	
350	400	32	1-1/4	BFX-604-J15/16-M14	21,5	24	75	95	31,6	66,6	64	1-5/16-12	15,0	M14x45		
350	400	32	1-1/4	BFX-604-J15/8	27,5	24	75	95	31,6	66,6	66	1-5/8-12	13,5	M12x45	1/2-13 UNC x 1-3/4	
350	400	32	1-1/4	BFX-604-J15/8-M14	27,5	24	75	95	31,6	66,6	66	1-5/8-12	15,0	M14x45		
350	400	38	1-1/2	BFX-605-J17/8	33,0	27	84	108	36,5	79,3	73	1-7/8-12	17,0	M16x50	5/8-11 UNC x 2	

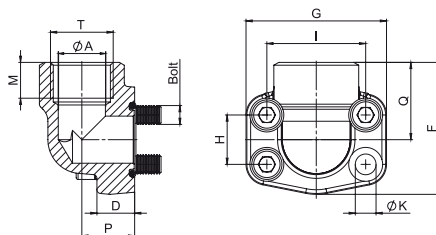
¹ The maximum working pressure applies only to the flange itself and depends on the bolts used (Grade 8.8 / 10.9). The actual maximum working pressure depends on the thickness and the quality of the tube used.

² For UNC threaded bolts, use hexagon head bolts only. Please note that these do not belong to our product range.

³ Alternative options shown in brackets are available on request.

**SAE 90° Single-Part Screw-in BSPP Threaded Flange
BFX90-G**
Order Codes

- * SAE 90° Single-Part Screw-in BSPP Threaded Flange (without O-ring) **BFX90-...-G**
- * Deviant screw-in BSPP thread, including Metric bolts 8.8, spring rings, O-ring made of NBR (Buna-N®) (packed in kits) **BFX90-...-G **#K**
- * Including Metric bolts 8.8, spring rings, O-ring made of NBR (Buna-N®) (packed in kits) **BFX90-...-G-MH#K**
- * Including UNC bolts (Gr10), spring rings, O-ring made of FPM (Viton®) (packed in kits) **BFX90-...-G-V-U#K**



Material S355J0 or equivalent
Surface blank, oiled
Special Material Stainless Steel 1.4404 "W5" on request

3000 PSI Standard Pressure Series (according to ISO 6162-1)

PN (bar) ¹		Nominal Size		Order Codes	Dimensions (mm)													for Bolts	
8.8 Bolts	10.9 (MH) Bolts	DN	(in)		ØA	D	F	G	H	I	M	P	Q	T (BSPP)	Ø K ³	Metr. ³	UNC		
350	350	13	1/2	BFX90-301-G	13	16	60	54	17,5	38,1	19	20	37	1/2	8,7	M8x30	5/16-18 UNC x 1-1/4		
350	350	13	1/2	BFX90-301-G038	13	16	60	54	17,5	38,1	19	20	37	3/8	8,7	M8x30	5/16-18 UNC x 1-1/4		
350	350	19	3/4	BFX90-302-G	19	18	63	65	22,3	47,6	19	24	38	3/4	10,5	M10x35	3/8-16 UNC x 1-1/2		
250	315	25	1	BFX90-303-G	25	19	70	70	26,2	52,4	20	28	43	1	10,5	M10x35	3/8-16 UNC x 1-1/2		
200	250	32	1-1/4	BFX90-304-G	32	21	85	79	30,2	58,7	22	34	51	1-1/4	11,7 (12,5)	M10x40 (M12x40)	7/16-14 UNC x 1-1/2		
200	200	38	1-1/2	BFX90-305-G	38	25	95	93	35,7	69,9	25	38	56	1-1/2	13,5 (14,5)	M12x45 (M14x45)	1/2-13 UNC x 1-3/4		
160	200	51	2	BFX90-306-G	51	25	110	110	42,9	77,8	28	42	65	2	13,5 (14,5)	M12x45 (M14x45)	1/2-13 UNC x 1-3/4		

6000 PSI High Pressure Series (according to ISO 6162-2)

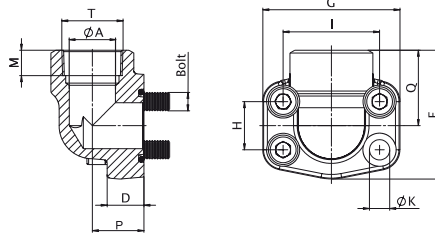
PN (bar) ¹		Nominal Size		Order Codes	Dimensions (mm)													for Bolts	
8.8 Bolts	10.9 (MH) Bolts	DN	(in)		ØA	D	F	G	H	I	M	P	Q	T (BSPP)	Ø K	Metr. ³	UNC		
350	400	13	1/2	BFX90-601-G	13	16	60	56	18,2	40,5	19	20	37	1/2	8,7	M8x30	5/16-18 UNC x 1-1/4		
350	400	13	1/2	BFX90-601-G038	13	16	60	56	18,2	40,5	19	20	37	3/8	8,7	M8x30	5/16-18 UNC x 1-1/4		
350	400	19	3/4	BFX90-602-G	19	19	70	70	23,8	50,8	20	28	43	3/4	10,5	M10x35	3/8-16 UNC x 1-1/2		
350	400	25	1	BFX90-603-G	25	21	85	79	27,8	57,2	22	34	51	1	13	M12x45	7/16-14 UNC x 1-3/4		
350	400	32	1-1/4	BFX90-604-G	32	25	95	93	31,6	66,6	25	38	56	1-1/4	13,5	M12x45	1/2-13 UNC x 1-3/4		
350	400	32	1-1/4	BFX90-604-G-M14	32	25	95	93	31,6	66,6	25	38	56	1-1/4	15	M14x45			
350	400	38	1-1/2	BFX90-605-G	38	25	110	110	36,5	79,3	28	42	65	1-1/2	17	M16x50	5/8-11 UNC x 2		
350	400	51	2	BFX90-606-G	51	35	132	134	44,5	96,8	33	45	75	2	21	M20x70	3/4-10 UNC x 2-3/4		

¹ The maximum working pressure applies only to the flange itself and depends on the bolts used (Grade 8.8 / 10.9). The actual maximum working pressure depends on the thickness and the quality of the tube used.

² For UNC threaded bolts, use hexagon head bolts only. Please note that these do not belong to our product range.

³ Alternative options shown in brackets are available on request.

SAE 90° Single-Part Screw-in NPT Threaded Flange BFX90-N



Order Codes

- ★ SAE 90° Single-Part Screw-in NPT Threaded Flange (without O-ring) **BFX90-...-N**
- ★ Deviant screw-in NPT thread, including Metric bolts 8.8, spring rings, O-ring made of NBR (Buna-N®) (packed in kits) **BFX90-...-N-**#K**
- ★ Including Metric bolts 10.9, spring rings, O-ring made of NBR (Buna-N®) (packed in kits) **BFX90-...-N-MH#K**
- ★ Including UNC bolts (Gr10), spring rings, O-ring made of FPM (Viton®) (packed in kits) **BFX90-...-N-V-U#K**

Material S355J0 or equivalent
Surface blank, oiled
Special Material Stainless Steel 1.4404 "-W5" on request

3000 PSI Standard Pressure Series (according to ISO 6162-1)

PN (bar) ¹		Nominal Size		Order Codes	Dimensions (mm)											for Bolts	
8.8 Bolts	10.9 (MH) Bolts	DN	(in)		ØA	D	F	G	H	I	M	P	Q	T (NPT)	Ø K ³	Metr. ³	UNC
350	350	13	1/2	BFX90-301-N	13	16	60	54	17,5	38,1	19	20	37	1/2	8,7	M8x30	5/16-18 UNC x 1-1/4
350	350	13	1/2	BFX90-301-N038	13	16	60	54	17,5	38,1	19	20	37	3/8	8,7	M8x30	5/16-18 UNC x 1-1/4
350	350	19	3/4	BFX90-302-N	19	18	63	65	22,3	47,6	19	24	38	3/4	10,5	M10x35	3/8-16 UNC x 1-1/2
250	315	25	1	BFX90-303-N	25	19	70	70	26,2	52,4	20	28	43	1	10,5	M10x35	3/8-16 UNC x 1-1/2
200	250	32	1-1/4	BFX90-304-N	32	21	85	79	30,2	58,7	22	34	51	1-1/4	11,7 (12,5)	M10x40 (M12x40)	7/16-14 UNC x 1-1/2
200	200	38	1-1/2	BFX90-305-N	38	25	95	93	35,7	69,9	25	38	56	1-1/2	13,5 (14,5)	M12x45 (M14x45)	1/2-13 UNC x 1-3/4
160	200	51	2	BFX90-306-N	51	25	110	110	42,9	77,8	28	42	65	2	13,5 (14,5)	M12x45 (M14x45)	1/2-13 UNC x 1-3/4

6000 PSI High Pressure Series (according to ISO 6162-2)

PN (bar) ¹		Nominal Size		Order Codes	Dimensions (mm)											for Bolts	
8.8 Bolts	10.9 (MH) Bolts	DN	(in)		ØA	D	F	G	H	I	M	P	Q	T (NPT)	Ø K	Metr.	UNC
350	400	13	1/2	BFX90-601-N	13	16	60	56	18,2	40,5	19	20	37	1/2	8,7	M8x30	5/16-18 UNC x 1-1/4
350	400	13	1/2	BFX90-601-N038	13	16	60	56	18,2	40,5	19	20	37	3/8	8,7	M8x30	5/16-18 UNC x 1-1/4
350	400	19	3/4	BFX90-602-N	19	19	70	70	23,8	50,8	20	28	43	3/4	10,5	M10x35	3/8-16 UNC x 1-1/2
350	400	25	1	BFX90-603-N	25	21	85	79	27,8	57,2	22	34	51	1	13	M12x45	7/16-14 UNC x 1-3/4
350	400	32	1-1/4	BFX90-604-N	32	25	95	93	31,6	66,6	25	38	56	1-1/4	13,5	M12x45	1/2-13 UNC x 1-3/4
350	400	32	1-1/4	BFX90-604-N-M14	32	25	95	93	31,6	66,6	25	38	56	1-1/4	15	M14x45	
350	400	38	1-1/2	BFX90-605-N	38	25	110	110	36,5	79,3	28	42	65	1-1/2	17	M16x50	5/8-11 UNC x 2
350	400	51	2	BFX90-606-N	51	35	132	134	44,5	96,8	33	45	75	2	21	M20x70	3/4-10 UNC x 2-3/4

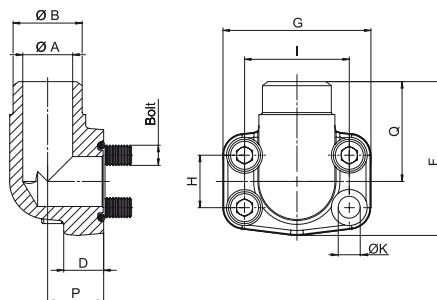
¹ The maximum working pressure applies only to the flange itself and depends on the bolts used (Grade 8.8 / 10.9). The actual maximum working pressure depends on the thickness and the quality of the tube used.

² For UNC threaded bolts, use hexagon head bolts only. Please note that these do not belong to our product range.

³ Alternative options shown in brackets are available on request.

**SAE 90° Single-Part Butt Weld Flange
BFX90-ST**
Order Codes

- ★ SAE 90° Single-Part Butt Weld Flange (without O-ring) **BFX90-...-ST-**-****
- ★ Including Metric bolts 8.8, spring rings, O-ring made of NBR (Buna-N®) (packed in kits) **BFX90-...-ST-**-**#K**
- ★ Including Metric bolts 10.9, spring rings, O-ring made of NBR (Buna-N®) (packed in kits) **BFX90-...-ST-**-**/**-MH#K**
- ★ Including UNC bolts (Gr10), spring rings, O-ring made of FPM (Viton®) (packed in kits) **BFX90-...-ST-**-**/**-V-U#K**



Material S355J0 or equivalent
Surface blank, oiled
Special Material Stainless Steel 1.4404 “-W5” on request

3000 PSI Standard Pressure Series (according to ISO 6162-1)

PN (bar) ¹		Nominal Size		Order Codes	Dimensions (mm)										for Bolts	
8.8 Bolts	10.9 (MH) Bolts	DN	(in)		ØA	ØB	D	F	G	H	I	P	Q	ØK	Metr.	UNC
350	350	13	1/2	BFX90-301-ST-21,5/13	13	21,5	16	60	54	17,5	38,1	20	37	9	M8x30	5/16-18 UNC x 1-1/4
350	350	19	3/4	BFX90-302-ST-27/19	19	27	16	63	65	22,3	47,6	24	38	11	M10x35	3/8-16 UNC x 1-1/2
350	350	25	1	BFX90-303-ST-34,5/23	23	34,5	19	70	70	26,2	52,4	28	43	11	M10x35	3/8-16 UNC x 1-1/2
250	315	32	1-1/4	BFX90-304-ST-43/31	31	43	21	85	79	30,2	58,7	34	51	11,5	M10x40	7/16-14 UNC x 1-1/2
200	250	38	1-1/2	BFX90-305-ST-50/35	35	50	25	95	93	35,7	69,8	38	56	13,5	M12x45	1/2-13 UNC x 1-3/4
200	200	51	2	BFX90-306-ST-65/48	48	65	25	110	110	42,9	77,8	42	65	13,5	M12x45	1/2-13 UNC x 1-3/4

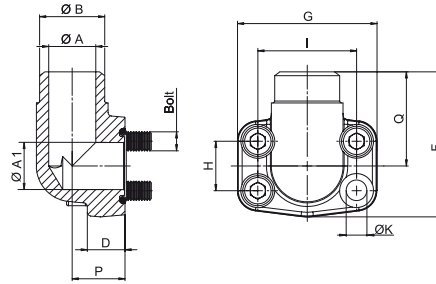
6000 PSI High Pressure Series (according to ISO 6162-2)

PN (bar) ¹		Nominal Size		Order Codes	Dimensions (mm)										for Bolts	
8.8 Bolts	10.9 (MH) Bolts	DN	(in)		ØA	ØB	D	F	G	H	I	P	Q	ØK	Metr.	UNC
350	400	13	1/2	BFX90-601-ST-21,5/13	13	21,5	16	60	54	18,2	40,5	20	37	9	M8x30	5/16-18 UNC x 1-1/4
350	400	19	3/4	BFX90-602-ST-28/19	19	28	19	70	70	23,8	50,8	28	43	11	M10x35	3/8-16 UNC x 1-1/2
350	400	25	1	BFX90-603-ST-34/25	25	34	21	85	79	27,8	57,2	34	51	13	M12x45	7/16-14 UNC x 1-3/4
350	400	32	1-1/4	BFX90-604-ST-42/32-M14	32	42	25	95	93	31,8	66,6	38	56	15	M14x45	
350	400	38	1-1/2	BFX90-605-ST-48/38	38	48	25	110	110	36,5	79,3	42	65	17	M16x55	5/8-11 UNC x 2

¹ The maximum working pressure applies only to the flange itself and depends on the bolts used (Grade 8.8 / 10.9). The actual maximum working pressure depends on the thickness and the quality of the tube used.

² For UNC threaded bolts, use hexagon head bolts only. Please note that these do not belong to our product range.

SAE 90° Single-Part Butt Weld Flange for Metric Tubes BFX90-SRE



Order Codes

- ★ SAE 90° Single-Part Butt Weld Flange (without O-ring) **BFX90-...-SRE-**-****
- ★ Including Metric bolts 8.8, **BFX90-...-SRE-**-**#K** spring rings, O-ring made of NBR (Buna-N®) (packed in kits)
- ★ Including Metric bolts 10.9, spring rings, O-ring made of NBR (Buna-N®) (packed in kits) **BFX90-...-SRE-**-**-MH#K**
- ★ Including UNC bolts (Gr10), spring rings, O-ring made of FPM (Viton®) (packed in kits) **BFX90-...-SRE-**-**-V-U#K**

Material S355J0 or equivalent
Surface blank, oiled
Special Material Stainless Steel 1.4404 "-W5" on request

3000 PSI Standard Pressure Series (according to ISO 6162-1)

PN (bar) ¹		Nominal Size		Order Codes	Dimensions (mm)													for Bolts	
8.8 Bolts	10.9 (MH) Bolts	DN	(in)		Ø A	Ø A1	Ø B	D	F	G	H	I	P	Q	Ø K ³	Metr. ³	UNC		
350	350	13	1/2	BFX90-301-SRE-20/14	14	13	20	16	60	54	17,5	38,1	20	37	8,7	M8x30	5/16-18 UNC x 1-1/4		
350	350	13	1/2	BFX90-301-SRE-22/18	18	13	22	16	60	54	17,5	38,1	20	37	8,7	M8x30	5/16-18 UNC x 1-1/4		
350	350	13	1/2	BFX90-301-SRE-25/19	19	13	25	16	60	54	17,5	38,1	20	37	8,7	M8x30	5/16-18 UNC x 1-1/4		
350	350	19	3/4	BFX90-302-SRE-25/19	19	19	25	18	63	65	22,3	47,6	24	38	10,5	M10x35	3/8-16 UNC x 1-1/2		
350	350	19	3/4	BFX90-302-SRE-28/22	22	19	28	18	63	65	22,3	47,6	24	38	10,5	M10x35	3/8-16 UNC x 1-1/2		
350	350	19	3/4	BFX90-302-SRE-30/22	22	19	30	18	63	65	22,3	47,6	24	38	10,5	M10x35	3/8-16 UNC x 1-1/2		
350	350	19	3/4	BFX90-302-SRE-35/27	27	19	35	18	63	65	22,3	47,6	24	38	10,5	M10x35	3/8-16 UNC x 1-1/2		
250	315	25	1	BFX90-303-SRE-30/22	22	25	30	19	70	70	26,2	52,4	28	43	10,5	M10x35	3/8-16 UNC x 1-1/2		
250	315	25	1	BFX90-303-SRE-35/27	27	25	35	19	70	70	26,2	52,4	28	43	10,5	M10x35	3/8-16 UNC x 1-1/2		
250	315	25	1	BFX90-303-SRE-38/30	30	25	38	19	70	70	26,2	52,4	28	43	10,5	M10x35	3/8-16 UNC x 1-1/2		
250	315	25	1	BFX90-303-SRE-42/36	36	25	42	19	70	70	26,2	52,4	28	43	10,5	M10x35	3/8-16 UNC x 1-1/2		
200	250	32	1-1/4	BFX90-304-SRE-38/30	30	32	38	21	85	79	30,2	58,7	34	51	11,7 (12,5)	M10x40 (M12x40)	7/16-14 UNC x 1-1/2		
200	250	32	1-1/4	BFX90-304-SRE-42/36	36	32	42	21	85	79	30,2	58,7	34	51	11,7 (12,5)	M10x40 (M12x40)	7/16-14 UNC x 1-1/2		
200	250	32	1-1/4	BFX90-304-SRE-49/39	39	32	49	21	85	79	30,2	58,7	34	51	11,7 (12,5)	M10x40 (M12x40)	7/16-14 UNC x 1-1/2		
200	200	38	1-1/2	BFX90-305-SRE-38/30	30	38	38	25	95	93	35,7	69,9	38	56	13,5 (14,5)	M12x45 (M14x45)	1/2-13 UNC x 1-3/4		
200	200	38	1-1/2	BFX90-305-SRE-42/36	36	38	42	25	95	93	35,7	69,9	38	56	13,5 (14,5)	M12x45 (M14x45)	1/2-13 UNC x 1-3/4		
200	200	38	1-1/2	BFX90-305-SRE-49/39	39	38	49	25	95	93	35,7	69,9	38	56	13,5 (14,5)	M12x45 (M14x45)	1/2-13 UNC x 1-3/4		
160	200	51	2	BFX90-306-SRE-61/49	49	51	61	25	110	110	42,9	77,8	42	65	13,5 (14,5)	M12x45 (M14x45)	1/2-13 UNC x 1-3/4		

6000 PSI High Pressure Series (according to ISO 6162-2)

PN (bar) ¹		Nominal Size		Order Codes	Dimensions (mm)													for Bolts	
8.8 Bolts	10.9 (MH) Bolts	DN	(in)		Ø A	Ø A1	Ø B	D	F	G	H	I	P	Q	Ø K ³	Metr.	UNC		
350	400	13	1/2	BFX90-601-SRE-20/14	14	13	20	16	60	54	18,2	40,5	20	37	8,7	M8x30	5/16-18 UNC x 1-1/4		
350	400	13	1/2	BFX90-601-SRE-25/17	17	13	25	16	60	54	18,2	40,5	20	37	8,7	M8x30	5/16-18 UNC x 1-1/4		
350	400	19	3/4	BFX90-602-SRE-25/17	17	19	25	19	70	70	23,8	50,8	28	43	10,5	M10x35	3/8-16 UNC x 1-1/2		
350	400	19	3/4	BFX90-602-SRE-30/22	22	19	30	19	70	70	23,8	50,8	28	43	10,5	M10x35	3/8-16 UNC x 1-1/2		
350	400	25	1	BFX90-603-SRE-30/22	22	25	30	21	85	79	27,8	57,2	34	51	13,5	M12x45	7/16-14 UNC x 1-3/4		
350	400	25	1	BFX90-603-SRE-38/28	28	25	38	21	85	79	27,8	57,2	34	51	13,5	M12x45	7/16-14 UNC x 1-3/4		
350	400	32	1-1/4	BFX90-604-SRE-38/28	28	32	38	25	95	93	31,8	66,6	38	56	13,5	M12x45	1/2-13 UNC x 1-3/4		
350	400	32	1-1/4	BFX90-604-SRE-38/28-M14	28	32	38	25	95	93	31,8	66,6	38	56	15,0	M14x45			
350	400	32	1-1/4	BFX90-604-SRE-49/32	32	32	49	25	95	93	31,8	66,6	38	56	13,5	M12x45	1/2-13 UNC x 1-3/4		
350	400	32	1-1/4	BFX90-604-SRE-49/32-M14	32	32	49	25	95	93	31,8	66,6	38	56	15,0	M14x45			
350	400	38	1-1/2	BFX90-605-SRE-38/28	28	38	38	25	110	110	36,5	79,3	42	65	17,0	M16x50	5/8-11 UNC x 2		
350	400	38	1-1/2	BFX90-605-SRE-49/32	32	38	49	25	110	110	36,5	79,3	42	65	17,0	M16x50	5/8-11 UNC x 2		
350	400	38	1-1/2	BFX90-605-SRE-61/40	40	38	61	25	110	110	36,5	79,3	42	65	17,0	M16x50	5/8-11 UNC x 2		
350	400	51	2	BFX90-606-SRE-61/40	40	51	61	35	132	134	44,5	96,8	45	75	21,0	M20x70	3/4-10 UNC x 2-3/4		
350	400	51	2	BFX90-606-SRE-74/50	50	51	74	35	132	134	44,5	96,8	45	75	21,0	M20x70	3/4-10 UNC x 2-3/4		

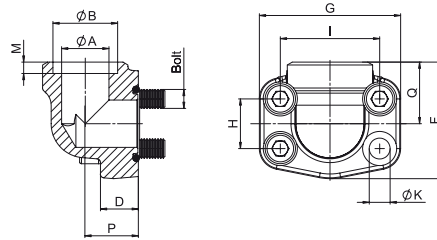
¹ The maximum working pressure applies only to the flange itself and depends on the bolts used (Grade 8.8 / 10.9). The actual maximum working pressure depends on the thickness and the quality of the tube used.

² For UNC threaded bolts, use hexagon head bolts only. Please note that these do not belong to our product range.

³ Alternative options shown in brackets are available on request.

**SAE 90° Single-Part Socket Weld Flange
BFX90-ES**
Order Codes

- ★ SAE 90° Single-Part Socket Weld Flange (without O-ring) **BFX90-...-ES-**-**/****
- ★ Including Metric bolts 8.8, spring rings, O-ring made of NBR (Buna-N®) (packed in kits) **BFX90-...-ES-**-**/**#K**
- ★ Including Metric bolts 10.9, spring rings, O-ring made of NBR (Buna-N®) (packed in kits) **BFX90-...-ES-**-**/**-MH#K**
- ★ Including UNC bolts (Gr10), spring rings, O-ring made of FPM (Viton®) (packed in kits) **BFX90-...-ES-**-**/**-U#K**



Material S355J0 or equivalent
Surface blank, oiled
Special Material Stainless Steel 1.4404 "W5" on request

3000 PSI Standard Pressure Series (according to ISO 6162-1)

PN (bar) ¹		Nominal Size		Order Codes	Dimensions (mm)											for Bolts	
8.8 Bolts	10.9 (MH) Bolts	DN	(in)		Ø A	Ø B	D	F	G	H	I	M	P	Q	Ø K ³	Metr. ³	UNC
350	350	13	1/2	BFX90-301-ES-21,6/13	13	21,6	16	60	54	17,5	38,1	10	20	37	8,7	M8x30	5/16-18 UNC x 1-1/4
350	350	13	1/2	BFX90-301-ES-17,5/13	13	17,5	16	60	54	17,5	38,1	10	20	37	8,7	M8x30	5/16-18 UNC x 1-1/4
350	350	19	3/4	BFX90-302-ES-27,2/19	19	27,2	18	63	65	22,3	47,6	10	24	38	10,5	M10x35	3/8-16 UNC x 1-1/2
250	315	25	1	BFX90-303-ES-34/25	25	34,0	19	70	70	26,2	52,4	12	28	43	10,5	M10x35	3/8-16 UNC x 1-1/2
200	250	32	1-1/4	BFX90-304-ES-42,8/32	32	42,8	21	85	79	30,2	58,7	14	34	51	11,7 (12,5)	M10x40 (M12x40)	7/16-14 UNC x 1-1/2
200	200	38	1-1/2	BFX90-305-ES-48,6/38	38	48,6	25	95	93	35,7	69,9	16	38	56	13,5 (14,5)	M12x45 (M14x45)	1/2-13 UNC x 1-3/4
160	200	51	2	BFX90-306-ES-61/51	51	61,0	25	110	110	42,9	77,8	18	42	65	13,5 (14,5)	M12x45 (M14x45)	1/2-13 UNC x 1-3/4

6000 PSI High Pressure Series (according to ISO 6162-2)

PN (bar) ¹		Nominal Size		Order Codes	Dimensions (mm)											for Bolts	
8.8 Bolts	10.9 (MH) Bolts	DN	(in)		Ø A	Ø B	D	F	G	H	I	M	P	Q	Ø K	Metr.	UNC
350	400	13	1/2	BFX90-601-ES-21,6/13	13	21,6	16	60	54	18,2	40,5	10	20	37	8,7	M8x30	5/16-18 UNC x 1-1/4
350	400	13	1/2	BFX90-601-ES-17,5/13	13	17,5	16	60	54	18,2	40,5	10	20	37	8,7	M8x30	5/16-18 UNC x 1-1/4
350	400	19	3/4	BFX90-602-ES-27,2/19	19	27,2	19	70	70	23,8	50,8	12	28	43	10,5	M10x35	3/8-16 UNC x 1-1/2
350	400	19	3/4	BFX90-602-ES-20,3/16	16/19	20,3	19	70	70	23,8	50,8	12	28	43	10,5	M10x35	3/8-16 UNC x 1-1/2
350	400	19	3/4	BFX90-602-ES-25,3/19	19	25,3	19	70	70	23,8	50,8	12	28	43	10,5	M10x35	3/8-16 UNC x 1-1/2
350	400	19	3/4	BFX90-602-ES-30,3/25	25/19	30,3	19	70	70	23,8	50,8	12	28	43	10,5	M10x35	3/8-16 UNC x 1-1/2
350	400	25	1	BFX90-603-ES-34/25	25	34,0	21	85	79	27,8	57,2	14	34	51	13,0	M12x45	7/16-14 UNC x 1-3/4
350	400	25	1	BFX90-603-ES-30,3/25	25	30,3	21	85	79	27,8	57,2	14	34	51	13,0	M12x45	7/16-14 UNC x 1-3/4
350	400	32	1-1/4	BFX90-604-ES-42,8/32	32	42,8	25	95	93	31,8	66,6	16	38	56	13,5	M12x45	1/2-13 UNC x 1-3/4
350	400	32	1-1/4	BFX90-604-ES-42,8/32-M14	32	42,8	25	95	93	31,8	66,6	16	38	56	15,0	M14x45	
350	400	32	1-1/4	BFX90-604-ES-30,3/22	22/32	30,3	25	95	93	31,8	66,6	16	38	56	13,5	M12x45	1/2-13 UNC x 1-3/4
350	400	32	1-1/4	BFX90-604-ES-30,3/22-M14	22/32	30,3	25	95	93	31,8	66,6	16	38	56	15,0	M14x45	
350	400	32	1-1/4	BFX90-604-ES-38,3/27	27/32	38,3	25	95	93	31,8	66,6	16	38	56	13,5	M12x45	1/2-13 UNC x 1-3/4
350	400	32	1-1/4	BFX90-604-ES-38,3/27-M14	27/32	38,3	25	95	93	31,8	66,6	16	38	56	15,0	M14x45	
350	400	38	1-1/2	BFX90-605-ES-48,6/38	38	48,6	25	110	110	36,5	79,3	18	42	65	17,0	M16x50	5/8-11 UNC x 2
350	400	51	2	BFX90-606-ES-61/51	51	61,0	35	132	134	36,5	79,3	28	45	75	21,0	M20x70	3/4-10 UNC x 2-3/4

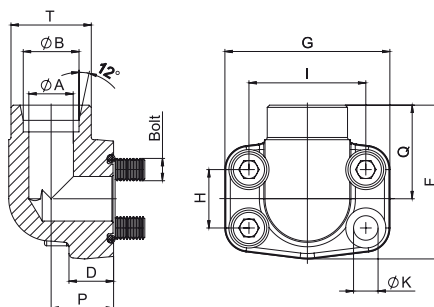
¹ The maximum working pressure applies only to the flange itself and depends on the bolts used (Grade 8.8 / 10.9). The actual maximum working pressure depends on the thickness and the quality of the tube used.

² For UNC threaded bolts, use hexagon head bolts only. Please note that these do not belong to our product range.

³ Alternative options shown in brackets are available on request.

SAE 90° Single-Part Fitting Flange with 24° Cone Connector (acc. to ISO 8434-1 / DIN 2353)

BFX90-L/S



Material S355J0 / C45 or equivalent
Surface CrVI-free
Special Material Stainless Steel 1.4404 "-W5" on request

Order Codes

- * SAE 90° Single-Part Fitting Flange (without O-ring) **BFX90-...-L**/-S****
- * Including Metric bolts 8.8, spring rings, O-ring made of NBR (Buna-N®) (packed in kits) **BFX90-...-L**#K**
- * Including Metric bolts 10.9, spring rings, O-ring made of NBR (Buna-N®) (packed in kits) **BFX90-...-L**-MH#K**
- * Including UNC bolts (Gr10), spring rings, O-ring made of FPM (Viton®) (packed in kits) **BFX90-...-S**-V-U#K**

3000 PSI Standard Pressure Series (according to ISO 6162-1)

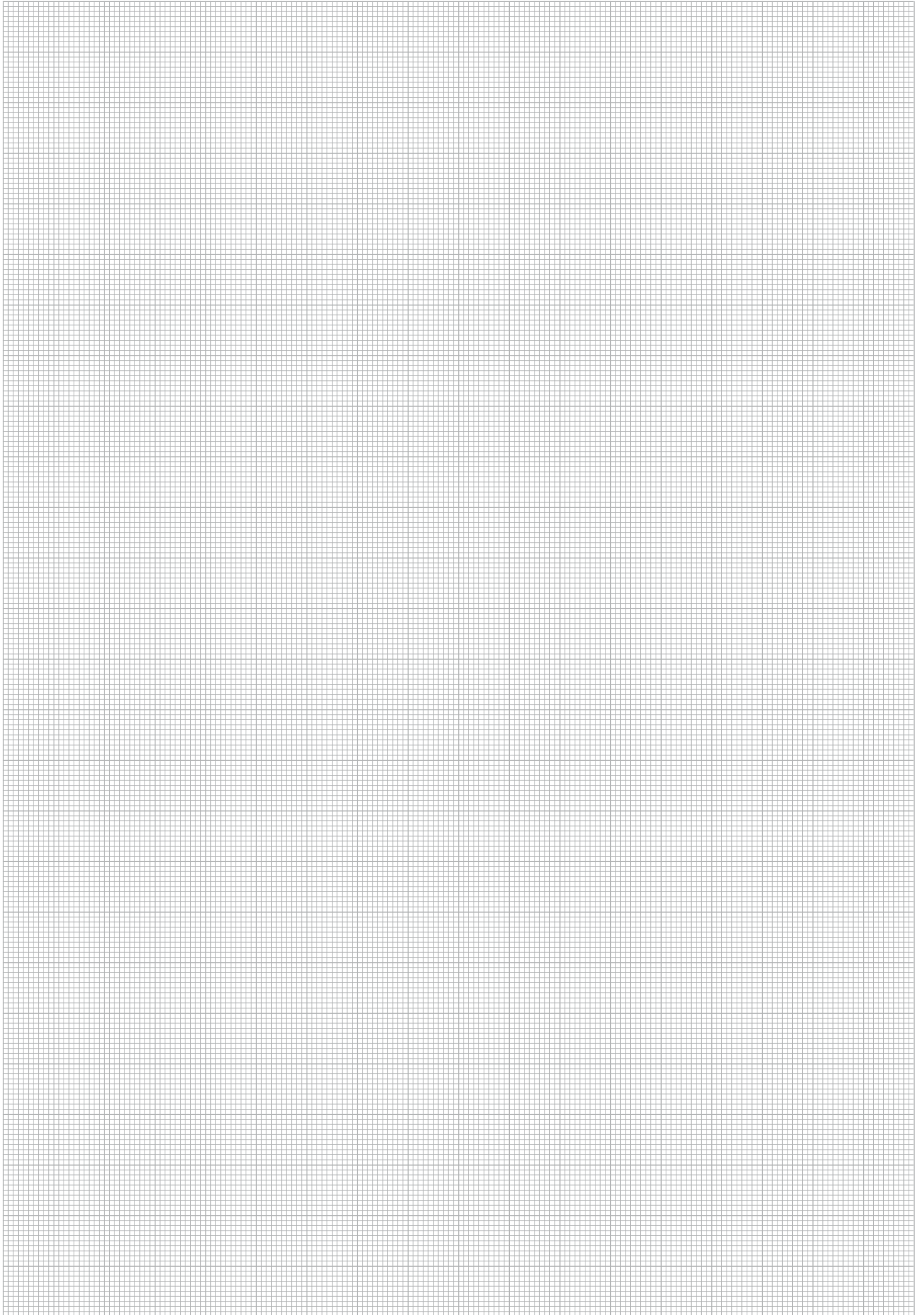
PN (bar) ¹		Nominal Size		Order Codes	Dimensions (mm)										for Bolts	
8.8 Bolts	10.9 (MH) Bolts	DN	(in)		Ø A	Ø B	D	H	I	P	Q	T (Metric)	Ø K	Metr.	UNC	
350	350	13	1/2	BFX90-301-L15	11	15 L	16	17,5	38,1	18	36	22x1,5	9	M8x30	5/16-18 UNC x 1-1/4	
350	350	13	1/2	BFX90-301-S16	12	16 S	16	17,5	38,1	18	36	24x1,5	9	M8x30	5/16-18 UNC x 1-1/4	
350	350	19	3/4	BFX90-302-S16	12	16 S	18	22,3	47,6	22	38	24x1,5	11	M10x35	3/8-16 UNC x 1-1/2	
350	350	19	3/4	BFX90-302-S20	16	20 S	18	22,3	47,6	22	38	30x2,0	11	M10x35	3/8-16 UNC x 1-1/2	
350	350	19	3/4	BFX90-302-L22	18	22 L	18	22,3	47,6	22	38	30x2,0	11	M10x35	3/8-16 UNC x 1-1/2	
250	315	25	1	BFX90-303-S25	20	25 S	19	26,2	52,4	28	42	36x2,0	11	M10x35	3/8-16 UNC x 1-1/2	
250	315	25	1	BFX90-303-L28	23	28 L	19	26,2	52,4	28	42	36x2,0	11	M10x35	3/8-16 UNC x 1-1/2	
200	250	32	1-1/4	BFX90-304-S25	20	25 S	22	30,2	58,7	30	50	36x2,0	11,5	M10x40	7/16-14 UNC x 1-1/2	
200	250	32	1-1/4	BFX90-304-S30	25	30 S	22	30,2	58,7	30	50	42x2,0	11,5	M10x40	7/16-14 UNC x 1-1/2	
200	250	32	1-1/4	BFX90-304-L35	30	35 L	22	30,2	58,7	30	50	45x2,0	11,5	M10x40	7/16-14 UNC x 1-1/2	
200	200	38	1-1/2	BFX90-305-S38	32	38 S	25	35,7	69,8	36	58	52x2,0	13,5	M12x45	1/2-13 UNC x 1-3/4	
200	200	38	1-1/2	BFX90-305-L42	36	42 L	25	35,7	69,8	36	58	52x2,0	13,5	M12x45	1/2-13 UNC x 1-3/4	

6000 PSI High Pressure Series (according to ISO 6162-2)

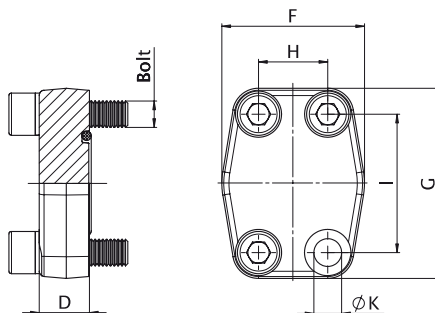
PN (bar) ¹		Nominal Size		Order Codes	Dimensions (mm)										for Bolts	
8.8 Bolts	10.9 (MH) Bolts	DN	(in)		Ø A	Ø B	D	H	I	P	Q	T (Metric)	Ø K	Metr.	UNC	
350	400	13	1/2	BFX90-601-S16	12	16 S	16	17,5	40,5	20	36	24x1,5	9	M8x30	5/16-18 UNC x 1-1/4	
350	400	19	3/4	BFX90-602-S16	12	16 S	19	22,3	50,8	26	41	24x1,5	11	M10x35	3/8-16 UNC x 1-1/2	
350	400	19	3/4	BFX90-602-S20	20	20 S	19	22,3	50,8	26	41	30x2,0	11	M10x35	3/8-16 UNC x 1-1/2	
350	400	25	1	BFX90-603-S25	20	25 S	24	26,2	57,2	30	50	36x2,0	13	M12x40	7/16-14 UNC x 1-1/2	
350	400	32	1-1/4	BFX90-604-S30-M14	25	30 S	25	30,2	66,6	36	58	42x2,0	15	M14x45	1/2-13 UNC x 1-3/4	
350	400	38	1-1/2	BFX90-605-S38	32	38 S	26	35,7	79,3	41	65	52x2,0	17	M16x45	5/8-11 UNC x -2	

¹ The maximum working pressure applies only to the flange itself and depends on the bolts used (grade 8.8 / 10.9). The actual maximum working pressure depends on the thickness and the quality of the tube used in the particular situation.

² By the use of UNC screws, hexagon head bolts should be used. Please note that these do not belong to our product range.



SAE Single-Part Blanking Flange BFX-CP



Order Codes

- ★ SAE Single-Part Blanking Flange (without O-ring) **BFX-...-CP**
- ★ Including Metric bolts 8.8, spring rings, O-ring made of NBR (Buna-N®) (packed in kits) **BFX-...-CP#K**
- ★ Including Metric bolts 10.9, spring rings, O-ring made of NBR (Buna-N®) (packed in kits) **BFX-...-MH-CP#K**
- ★ Including UNC bolts (Gr10), spring rings, O-ring made of FPM (Viton®) (packed in kits) **BFX-...-CP-V-U#K**

Material S355J0/C45 or equivalent
Surface blank, oiled
Special Material Stainless Steel 1.4404 "-W5" on request

3000 PSI Standard Pressure Series (according to ISO 6162-1)

PN (bar) ¹		Nominal Size		Order Codes	Dimensions (mm)						for Bolts	
8.8 Bolts	10.9 (MH) Bolts	DN	(in)		D	F	G	H	I	Ø K ³	Metr. ³	UNC
350	350	13	1/2	BFX-301-CP	16	47	57	17,5	38,1	8,7	M8x30	5/16-18 UNC x 1-1/4
350	350	19	3/4	BFX-302-CP	18	50	67	22,3	47,6	10,5	M10x35	3/8-16 UNC x 1-1/2
250	315	25	1	BFX-303-CP	19	54	72	26,2	52,4	10,5	M10x35	3/8-16 UNC x 1-1/2
200	250	32	1-1/4	BFX-304-CP	18	68	82	30,2	58,7	11,7 (12,5)	M10x40 (M12x40)	7/16-14 UNC x 1-1/2
200	200	38	1-1/2	BFX-305-CP	20	79	96	35,7	69,9	13,5 (14,5)	M12x45 (M14x45)	1/2-13 UNC x 1-3/4
160	200	51	2	BFX-306-CP	20	88	102	42,9	77,8	13,5 (14,5)	M12x45 (M14x45)	1/2-13 UNC x 1-3/4
100	160	64	2-1/2	BFX-307-CP	20	101	115	50,8	88,9	13,5 (14,5)	M12x45 (M14x45)	1/2-13 UNC x 1-3/4
100	160	76	3	BFX-308-CP	24	127	137	61,9	106,4	17,0	M16x50	5/8-11 UNC x 2
35	35	89	3-1/2	BFX-309-CP	22	138	155	69,8	120,7	17,0	M16x50	5/8-11 UNC x 2
35	35	102	4	BFX-310-CP	25	147	163	77,8	130,2	17,0	M16x50	5/8-11 UNC x 2
35	35	127	5	BFX-311-CP	25	180	184	92,0	152,4	17,0	M16x55	5/8-11 UNC x 2-1/4

6000 PSI High Pressure Series (according to ISO 6162-2)

PN (bar) ¹		Nominal Size		Order Codes	Dimensions (mm)						for Bolts	
8.8 Bolts	10.9 (MH) Bolts	DN	(in)		D	F	G	H	I	Ø K	Metr.	UNC
350	400	13	1/2	BFX-601-CP	16	47	57	18,2	40,5	8,7	M8x30	5/16-18 UNC x 1-1/4
350	400	19	3/4	BFX-602-CP	19	54	72	23,8	50,8	10,5	M10x35	3/8-16 UNC x 1-1/2
350	400	25	1	BFX-603-CP	24	68	82	27,8	57,2	13,0	M12x45	7/16-14 UNC x 1-3/4
350	400	32	1-1/4	BFX-604-CP	27	79	95	31,8	66,6	13,5	M12x45	1/2-13 UNC x 1-3/4
350	400	32	1-1/4	BFX-604-CP-M14	27	79	95	31,8	66,6	15,0	M14x45	
350	400	38	1-1/2	BFX-605-CP	30	88	108	36,5	79,3	17,0	M16x55	5/8-11 UNC x 2-1/4
350	400	51	2	BFX-606-CP	30	118	137	44,5	96,8	21,0	M20x65	3/4-10 UNC x 2-3/4

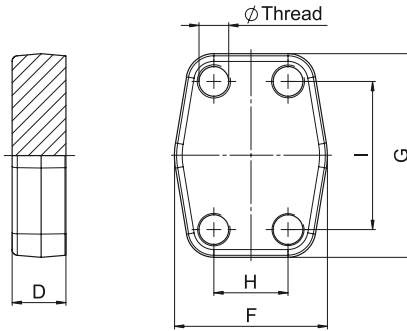
¹ The maximum working pressure applies only to the flange itself and depends on the bolts used (Grade 8.8 / 10.9).

² For UNC threaded bolts, use hexagon head bolts only. Please note that these do not belong to our product range.

³ Alternative options shown in brackets are available on request.

**SAE Single-Part Blanking Counterflange
BAS-CP**
Order Codes

- * SAE Single-Part Blanking Counterflange **BAS-...-CP**
- * UNC thread **BAS-...-CPU**
- * Deviant Metric thread (M14) **BAS-...-CPM14**



Material S355J0/C45 or equivalent
Surface blank, oiled
Special Material Stainless Steel 1.4404 "-W5" on request

3000 PSI Standard Pressure Series (according to ISO 6162-1)

PN (bar) ¹		Nominal Size		Order Codes	Dimensions (mm)					Ø Thread	
8.8 Bolts	10.9 (MH) Bolts	DN	(in)		D	F	G	H	I	Metr. ³	
350	350	13	1/2	BAS-301-CP	16	47	57	17,5	38,1	M8	5/16-18 UNC
350	350	19	3/4	BAS-302-CP	18	50	67	22,3	47,6	M10	3/8-16 UNC
250	315	25	1	BAS-303-CP	19	54	72	26,2	52,4	M10	3/8-16 UNC
200	250	32	1-1/4	BAS-304-CP	18	68	82	30,2	58,7	M10 (M12)	7/16-14 UNC
200	200	38	1-1/2	BAS-305-CP	20	79	96	35,7	69,9	M12 (M14)	1/2-13 UNC
160	200	51	2	BAS-306-CP	20	88	102	42,9	77,8	M12 (M14)	1/2-13 UNC
100	160	64	2-1/2	BAS-307-CP	20	101	115	50,8	88,9	M12 (M14)	1/2-13 UNC
100	160	76	3	BAS-308-CP	24	127	137	61,9	106,4	M16	5/8-11 UNC
35	35	89	3-1/2	BAS-309-CP	22	138	155	69,8	120,7	M16	5/8-11 UNC
35	35	102	4	BAS-310-CP	25	147	163	77,8	130,2	M16	5/8-11 UNC
35	35	127	5	BAS-311-CP	25	180	184	92,0	152,4	M16	5/8-11 UNC

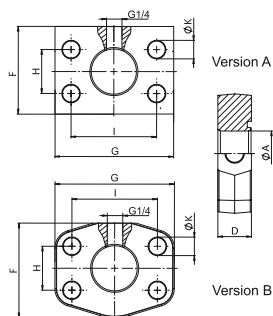
6000 PSI High Pressure Series (according to ISO 6162-2)

PN (bar) ¹		Nominal Size		Order Codes	Dimensions (mm)					Ø Thread	
8.8 Bolts	10.9 (MH) Bolts	DN	(in)		D	F	G	H	I	Metr.	
350	400	13	1/2	BAS-601-CP	16	47	57	18,2	40,5	M8	5/16-18 UNC
350	400	19	3/4	BAS-602-CP	19	54	72	23,8	50,8	M10	3/8-16 UNC
350	400	25	1	BAS-603-CP	24	68	82	27,8	57,2	M12	7/16-14 UNC
350	400	32	1-1/4	BAS-604-CP	27	79	95	31,8	66,6	M12	1/2-13 UNC
350	400	32	1-1/4	BAS-604-CPM14	27	79	95	31,8	66,6	M14	
350	400	38	1-1/2	BAS-605-CP	30	88	108	36,5	79,3	M16	5/8-11 UNC
350	400	51	2	BAS-606-CP	30	118	137	44,5	96,8	M20	3/4-10 UNC

¹ The maximum working pressure applies only to the flange itself and depends on the bolts used (Grade 8.8 / 10.9).

³ Alternative options shown in brackets are available on request.

SAE Sandwich Plate (e.g. for Test Point) - Female BSPP Port SPL-G1/4-L



Order Codes

★ SAE Sandwich Plate **SPL-...-G1/4-L**
(e.g. for Test Point) Female BSPP Port



Please see **STAUFF Test** section
for further information on the
corresponding test points.

Material S355J0/C45 or equivalent
Surface blank, oiled
Special Material Stainless Steel 1.4404 "-W5" on request

3000 PSI Standard Pressure Series (according to ISO 6162-1)

PN (bar) ¹		Nominal Size		Order Codes	Dimensions (mm)							
8.8 Bolts	10.9 (MH) Bolts	DN	(in)		Ø A	D	F	G	H	I	Ø K	Version
350	350	13	1/2	SPL-301-G1/4-L	12	24	40	55.0	17.5	38.1	8.7	A
350	350	19	3/4	SPL-302-G1/4-L	19	28	50	65.0	22.3	47.6	10.5	A
250	315	25	1	SPL-303-G1/4-L	24	25	60	70.6	26.2	52.4	10.5	B
200	250	32	1-1/4	SPL-304-G1/4-L	31	23	68	82.0	30.2	58.7	11.7	B
200	200	38	1-1/2	SPL-305-G1/4-L	38	24	79	96.0	35.7	69.9	13.5	B
160	200	51	2	SPL-306-G1/4-L	50	24	88	102.0	42.9	77.8	13.5	B

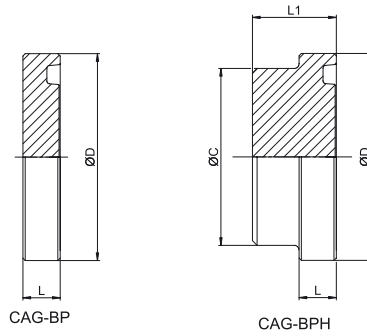
6000 PSI High Pressure Series (according to ISO 6162-2)

PN (bar) ¹		Nominal Size		Order Codes	Dimensions (mm)							
8.8 Bolts	10.9 (MH) Bolts	DN	(in)		Ø A	D	F	G	H	I	Ø K	Version
350	400	13	1/2	SPL-601-G1/4-L	12	24	40	55.0	18.2	40.5	8.7	A
350	400	19	3/4	SPL-602-G1/4-L	19	25	60	70.6	23.8	50.8	10.5	A
350	400	25	1	SPL-603-G1/4-L	25	23	68	82.0	27.8	57.2	13.0	B
350	400	32	1-1/4	SPL-604-G1/4-L	31	25	79	95.0	31.8	66.6	13.5	B
350	400	32	1-1/4	SPL-604-G1/4-L-M14	31	25	79	95.0	31.8	66.6	15.0	B
350	400	38	1-1/2	SPL-605-G1/4-L	38	28	88	108.0	36.5	79.3	17.0	B
350	400	51	2	SPL-606-G1/4-L	50	33	118	137.0	44.5	96.8	21.0	B

¹ The maximum working pressure applies only to the flange itself and depends on the bolts used (Grade 8.8 / 10.9).

**SAE Blindplug
CAG-BP / CAG-BPH (high Version)**
Order Codes

- * SAE Blindplug (without O-ring) **CAG-BP-...**
- * Including Metric bolts 8.8, spring rings, O-ring made of NBR (Buna-N®) and DB (packed in kits) **CAG-BP-...#K**
- * SAE Blindplug - high Version (without O-ring) **CAG-BPH-...**
- * SAE Blindplug Counterflange high Version **CSG-BPH-...**



Material S355J0/C45 or equivalent
Surface CrVI free
Special Material Stainless Steel 1.4571 “-W5” on request

3000 PSI Standard Pressure Series (according to ISO 6162-1)

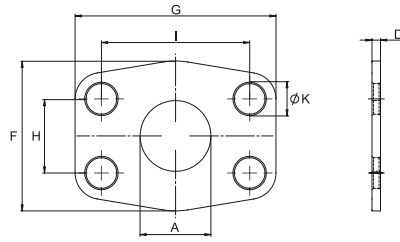
PN (bar)		Nominal Size		Order Codes	Order Codes	Dimensions (mm)			
BP	BPH	DN	(in)			Ø C	Ø D	L	L1
210	350	13	1/2	CAG-BP-301	CAG-BPH-301	24	30,2	6,8	15
210	350	19	3/4	CAG-BP-302	CAG-BPH-302	31,5	38,1	6,8	16
210	315	25	1	CAG-BP-303	CAG-BPH-303	38	44,45	8	18
200	250	32	1-1/4	CAG-BP-304	CAG-BPH-304	43	50,8	8	18
160	200	38	1-1/2	CAG-BP-305	CAG-BPH-305	50	60,35	8	18
160	200	51	2	CAG-BP-306	CAG-BPH-306	61,8	71,4	9,6	21
100	160	64	2-1/2	CAG-BP-307	CAG-BPH-307	73,8	84,1	9,6	21
100	160	76	3	CAG-BP-308	CAG-BPH-308	90	101,6	9,6	24
35	35	89	3-1/2	CAG-BP-309	CAG-BPH-309	102	114,3	11,3	45
35	35	102	4	CAG-BP-310	CAG-BPH-310	114	127	11,3	55

6000 PSI High Pressure Series (according to ISO 6162-2)

PN (bar)		Nominal Size		Order Codes	Order Codes	Dimensions (mm)			
BP	BPH	DN	(in)			Ø C	Ø D	L	L1
250	350	13	1/2	CAG-BP-601	CAG-BPH-601	24	31,8	7,8	18
250	350	19	3/4	CAG-BP-602	CAG-BPH-602	32	41,3	8,8	21
250	350	25	1	CAG-BP-603	CAG-BPH-603	38	47,6	9,5	26
250	350	32	1-1/4	CAG-BP-604 ²	CAG-BPH-604 ²	43,8	54	10,3	31
250	350	38	1-1/2	CAG-BP-605	CAG-BPH-605	50,8	63,5	12,6	34
250	350	51	2	CAG-BP-606	CAG-BPH-606	66,5	79,4	12,6	42

² According to ISO 6162-2 bolts M12 should be used but because usually bolts M14 are used the description of the complete clamp must show M14 (e.g. CAG-BP-604-M14#K).

SAE Sandwich Plate SPL



Order Codes

★ SAE Sandwich Plate

SPL-...

Material ST35 or equivalent
Surface blank, oiled

3000 PSI Standard Pressure Series (according to ISO 6162-1)

Nominal Size		Order Codes	Dimensions (mm)						
DN	(in)		A	D	F	G	H	I	Ø K
13	1/2	SPL-301	13	3	47	57	17,5	38,1	9
19	3/4	SPL-302	19	3	49	66	22,3	47,6	11
25	1	SPL-303	25	3	53	71	26,2	52,4	11
32	1-1/4	SPL-304	32	3	69	80	30,2	58,7	11,5
38	1-1/2	SPL-305	38	3	77	95	35,7	69,9	13,5
51	2	SPL-306	51	3	89	103	42,9	77,8	13,5
64	2-1/2	SPL-307	63	3	101	116	50,8	88,9	13,5
76	3	SPL-308	73	4	124	136	61,9	106,4	17
89	3-1/2	SPL-309	89	4	136	152	69,8	120,7	17
102	4	SPL-310	99	4	146	162	77,8	130,2	17
127	5	SPL-311	120	4	180	184	92	152,4	17

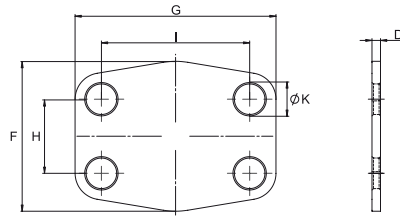
6000 PSI High Pressure Series (according to ISO 6162-2)

Nominal Size		Order Codes	Dimensions (mm)						
DN	(in)		A	D	F	G	H	I	Ø K
13	1/2	SPL-601	13	4	47	57	18,2	40,5	9
19	3/4	SPL-602	17	4	53	71	23,8	50,8	11
25	1	SPL-603	24	4	66	80	27,8	57,2	13
32	1-1/4	SPL-604-M14	31	4	77	94	31,8	66,6	15
38	1-1/2	SPL-605	38	4	89	103	36,5	79,3	17
51	2	SPL-606	51	4	116	135	44,5	96,8	21
64	2-1/2	SPL-607	63	4	150	166	58,7	123,8	25
76	3	SPL-608	73	4	178	208	71,4	152,4	32

**SAE Cover Plate
CPL**
Order Codes

★ SAE Cover Plate

CPL-...



Material ST35 or equivalent
Surface blank, oiled

3000 PSI Standard Pressure Series (according to ISO 6162-1)

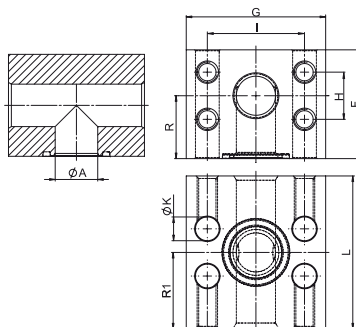
Nominal Size		Order Codes	Dimensions (mm)					
DN	(in)		D	F	G	H	I	Ø K
13	1/2	CPL-301	3	47	57	17,5	38,1	9
19	3/4	CPL-302	3	49	66	22,3	47,6	11
25	1	CPL-303	3	53	71	26,2	52,4	11
32	1-1/4	CPL-304	3	69	80	30,2	58,7	11,5
38	1-1/2	CPL-305	3	77	95	35,7	69,9	13,5
51	2	CPL-306	3	89	103	42,9	77,8	13,5
64	2-1/2	CPL-307	3	101	116	50,8	88,9	13,5
76	3	CPL-308	4	124	136	61,9	106,4	17
89	3-1/2	CPL-309	4	136	152	69,8	120,7	17
102	4	CPL-310	4	146	162	77,8	130,2	17
127	5	CPL-311	4	180	184	92	152,4	17

6000 PSI High Pressure Series (according to ISO 6162-2)

Nominal Size		Order Codes	Dimensions (mm)					
DN	(in)		D	F	G	H	I	Ø K
13	1/2	CPL-601	4	47	57	18,2	40,5	9
19	3/4	CPL-602	4	53	71	23,8	50,8	11
25	1	CPL-603	4	66	80	27,8	57,2	13
32	1-1/4	CPL-604-M14	4	77	94	31,8	66,6	15
38	1-1/2	CPL-605	4	89	103	36,5	79,3	17
51	2	CPL-606	4	116	135	44,5	96,8	21
64	2-1/2	CPL-607	4	150	166	58,7	123,8	25
76	3	CPL-608	4	178	208	71,4	152,4	32

SAE Block T-Connection

BF-T



Order Codes

- * SAE Block T-Connection (Adapter Style) **BF-T-...**
- * Deviant screw holes and threads **BF-T-...M****

Material S355J0 or equivalent
Surface CrVI-free
Special Material Stainless Steel 1.4404 "-W5" on request

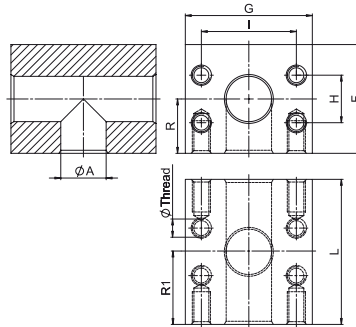
3000 PSI Standard Pressure Series (according to ISO 6162-1)

PN (bar) ¹		Nominal Size		Order Codes	Dimensions (mm)										Thread
8.8 Bolts	10.9 (MH) Bolts	DN	(in)		ϕA	F	G	H	I	L	R	R1	ϕK	Metr.	
350	400	19	3/4	BF-T-602	19	55	72	23,8	50,8	72	32	36	11,0	M10	
350	400	25	1	BF-T-603	23	64	82	27,8	57,2	90	37	45	13,5	M12	
350	400	32	1-1/4	BF-T-604-M14	30	72	100	31,8	66,6	100	41	50	15,5	M14	
350	400	38	1-1/2	BF-T-605	38	89	114	36,5	79,3	110	50	55	17,5	M16	
350	400	51	2	BF-T-606	50	107	133	44,5	96,8	135	64	67,5	22,0	M20	

¹ The maximum working pressure applies only to the flange itself and depends on the bolts used (Grade 8.8 / 10.9).

**SAE Block T-Connection
BC-T**
Order Codes

- * SAE Block T-Connection (Connector Style) **BC-T-...**
- * Deviant Threads **BC-T-...M****



Material S355J0 or equivalent
Surface CrVI-free
Special Material Stainless Steel 1.4404 "-W5" on request

3000 PSI Standard Pressure Series (according to ISO 6162-1)

PN (bar) ¹		Nominal Size		Order Codes	Dimensions (mm)								Thread
8.8 Bolts	10.9 (MH) Bolts	DN	(in)		Ø A	F	G	H	I	L	R	R1	Metr.
350	350	13	1/2	BC-T-301	13	50	55	17,5	38,1	70	25,0	35,0	M8
350	350	19	3/4	BC-T-302	19	60	65	23,3	47,6	75	30,0	37,5	M8
250	315	25	1	BC-T-303	24	65	72	26,2	52,4	80	33,0	40,0	M10
200	250	32	1-1/4	BC-T-304	32	80	82	30,2	58,7	90	39,0	45,0	M10
200	200	38	1-1/2	BC-T-305	38	92	100	35,7	69,9	110	51,0	55,0	M10
160	200	51	2	BC-T-306	51	87	102	42,9	77,8	120	51,0	60,0	M12
100	160	64	2-1/2	BC-T-307	62	120	115	50,8	88,9	160	60,0	80,0	M12
100	138	76	3	BC-T-308	73	135	135	61,9	106,4	160	67,5	80,0	M16
35	35	89	3-1/2	BC-T-309	89	145	150	69,9	120,7	160	72,5	80,0	M16

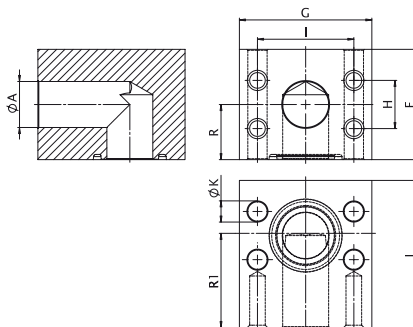
6000 PSI High Pressure Series (according to ISO 6162-2)

PN (bar) ¹		Nominal Size		Order Codes	Dimensions (mm)								Thread
8.8 Bolts	10.9 (MH) Bolts	DN	(in)		Ø A	F	G	H	I	L	R	R1	Metr.
350	400	13	1/2	BC-T-601	13	50	60	18,2	40,5	90	25,0	45,0	M8
350	400	19	3/4	BC-T-602	19	55	72	23,8	50,8	72	32,0	36,0	M10
350	400	25	1	BC-T-603	23	64	82	27,8	57,2	90	37,0	45,0	M12
350	400	32	1-1/4	BC-T-604	30	72	100	31,8	66,6	100	41,0	50,0	M12
350	400	32	1-1/4	BC-T-604M14	30	72	100	31,8	66,6	100	41,0	50,0	M14
350	400	38	1-1/2	BC-T-605	38	89	114	36,5	79,3	110	50,0	55,0	M16
350	400	51	2	BC-T-606	50	107	133	44,5	96,8	135	64,0	67,5	M20
350	400	64	2	BC-T-607	62	155	180	58,8	123,8	180	77,5	90,0	M24

¹ The maximum working pressure applies only to the flange itself and depends on the bolts used (Grade 8.8 / 10.9).

SAE Block L-Connection

BF-L



Order Codes

- * SAE Block L-Connection (Adapter Style) **BF-L-...**
- * Deviant screw holes and threads **BF-L-...M****

Material S355J0 or equivalent
Surface CrVI-free
Special Material Stainless Steel 1.4404 "-W5" on request

3000 PSI Standard Pressure Series (according to ISO 6162-1)

PN (bar) ¹		Nominal Size		Order Codes	Dimensions (mm)										Thread
8.8 Bolts	10.9 (MH) Bolts	DN	(in)		$\varnothing A$	F	G	H	I	L	R	R1	$\varnothing K$	Metr.	
350	350	13	1/2	BF-L-301	13	50	55	17,5	38,1	55	25,0	35	9,0	M8	
350	350	20	3/4	BF-L-302	19	60	65	23,3	47,6	60	30,0	40	11,0	M10	
250	315	25	1	BF-L-303	24	65	72	26,2	52,4	65	33,0	40	11,0	M10	
200	200	32	1-1/4	BF-L-304	32	80	82	30,2	58,7	82	39,0	38	11,0	M10	
160	200	38	1-1/2	BF-L-305	38	92	100	35,7	69,9	92	51,0	59	13,5	M12	
100	160	51	2	BF-L-306	51	87	102	42,9	77,8	85	51,0	48	13,5	M12	
100	160	64	2-1/2	BF-L-307	62	120	110	50,8	88,9	110	60,0	65	13,5	M12	
100	138	76	3	BF-L-308	73	135	135	61,9	106,4	150	67,5	90	17,5	M16	
35	35	89	3-1/2	BF-L-309	89	145	150	69,9	120,7	145	72,5	75	17,5	M16	

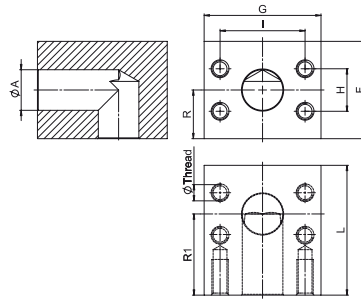
6000 PSI High Pressure Series (according to ISO 6162-2)

PN (bar) ¹		Nominal Size		Order Codes	Dimensions (mm)										Thread
8.8 Bolts	10.9 (MH) Bolts	DN	(in)		$\varnothing A$	F	G	H	I	L	R	R1	$\varnothing K$	Metr.	
350	400	13	1/2	BF-L-601	13	50	60	18,2	40,5	60	25,0	40	9,0	M8	
350	400	19	3/4	BF-L-602	19	55	72	23,8	50,8	60	32,0	36	11,0	M10	
350	400	25	1	BF-L-603	23	64	82	27,8	57,2	68	37,0	40	13,5	M12	
350	400	32	1-1/4	BF-L-604	30	72	100	31,8	66,6	72	41,0	46	13,5	M12	
350	400	32	1-1/4	BF-L-604-M14	30	72	100	31,8	66,6	72	41,0	46	15,5	M14	
350	400	38	1-1/2	BF-L-605	38	89	114	36,5	79,3	86	50,0	52	17,5	M16	
350	400	51	2	BF-L-606	50	107	133	44,5	96,8	107	64,0	70	22,0	M20	
350	400	64	2-1/2	BF-L-607	62	155	180	58,8	123,8	160	77,5	90	26,0	M24	

¹ The maximum working pressure applies only to the flange itself and depends on the bolts used (Grade 8.8 / 10.9).

**SAE Block L-Connection
BC-L**
Order Codes

- * SAE Block L-Connection (Connector Style) **BC-L-...**
- * Deviant threads **BC-L-...M****



Material S355J0 or equivalent
Surface CrVI-free
Special Material Stainless Steel 1.4404 "-W5" on request

3000 PSI Standard Pressure Series (according to ISO 6162-1)

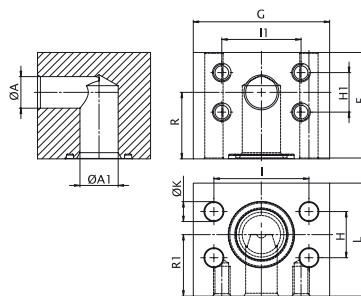
PN (bar) ¹		Nominal Size		Order Codes	Dimensions (mm)								Thread
8.8 Bolts	10.9 (MH) Bolts	DN	(in)		$\varnothing A$	F	G	H	I	L	R	R1	Metr.
350	350	13	1/2	BC-L-301	13	50	55	17,5	38,1	55	25,0	35	M8
350	350	20	3/4	BC-L-302	19	60	65	23,3	47,6	60	30,0	40	M10
250	315	25	1	BC-L-303	24	65	72	26,2	52,4	65	33,0	40	M10
200	200	32	1-1/4	BC-L-304	32	80	82	30,2	58,7	82	39,0	38	M10
160	200	38	1-1/2	BC-L-305	38	92	100	35,7	69,9	92	51,0	59	M12
100	160	51	2	BC-L-306	51	87	102	42,9	77,8	85	51,0	48	M12
100	160	64	2-1/2	BC-L-307	62	120	110	50,8	88,9	110	60,0	65	M12
100	138	76	3	BC-L-308	73	135	135	61,9	106,4	150	67,5	90	M16
35	35	89	3-1/2	BC-L-309	89	145	150	69,9	120,7	145	72,5	75	M16

6000 PSI High Pressure Series (according to ISO 6162-2)

PN (bar) ¹		Nominal Size		Order Codes	Dimensions (mm)								Thread
8.8 Bolts	10.9 (MH) Bolts	DN	(in)		$\varnothing A$	F	G	H	I	L	R	R1	Metr.
350	400	13	1/2	BC-L-601	13	50	60	18,2	40,5	60,0	25,0	40	M8
350	400	19	3/4	BC-L-602	19	55	72	23,8	50,8	60,0	32,0	36	M10
350	400	25	1	BC-L-603	23	64	82	27,8	57,2	68,0	37,0	40	M12
350	400	32	1-1/4	BC-L-604	30	72	100	31,8	66,6	76,0	41,0	46	M12
350	400	32	1-1/4	BC-L-604M14	30	72	100	31,8	66,6	76,0	41,0	46	M14
350	400	38	1-1/2	BC-L-605	38	89	114	36,5	79,3	86,0	50,0	52	M16
350	400	51	2	BC-L-606	50	107	133	44,5	96,8	107,0	64,0	70	M20
350	400	64	2-1/2	BC-L-607	62	155	180	58,8	123,8	160,0	77,5	90	M24

¹ The maximum working pressure applies only to the flange itself and depends on the bolts used (Grade 8.8 / 10.9).

SAE Block L-Connection Reduction BF-L-RED



Order Codes

- * SAE Block L-Connection (Adapter Style) **BF-L-...-...**
- * Deviant screw holes **BF-L-...-M**-...**
- * Deviant threads **BF-L-...-...M****

Material S355J0 or equivalent
Surface CrVI-free
Special Material Stainless Steel 1.4404 "-W5" on request

3000 PSI Standard Pressure Series (according to ISO 6162-1)

PN (bar) ¹		Nominal Size		Order Codes	Dimensions (mm)														Thread
8.8 Bolts	10.9 (MH) Bolts	DN	(in)		Ø A	ØA1	F	G	H	H1	I1	I	L	R	R1	ØK	Metr.		
350	400	25 - 19	1 3/4	BF-L-603-602	19	23	64	82	27,8	23,8	50,8	57,2	68	37	40	14	M10		
350	400	32 - 19	1-1/4 - 3/4	BF-L-604-M14-602	19	30	72	100	31,8	23,8	50,8	66,6	76	41	46	16	M10		
350	400	32 - 25	1-1/4 - 1	BF-L-604-M14-603	23	30	72	100	31,8	27,8	57,2	66,6	76	41	46	16	M12		
350	400	38 - 32	1-1/2 - 1-1/4	BF-L-605-604M14	30	38	89	114	36,5	31,8	66,6	79,3	86	50	52	18	M14		
350	400	51 - 38	2 - 1-1/2	BF-L-606-605	38	50	107	133	44,5	36,5	79,3	96,8	107	64	70	22	M16		

¹ The maximum working pressure applies only to the flange itself and depends on the bolts used (Grade 8.8 / 10.9).

Ordering of Separate Sealings

Ordering of separate sealings by using the ordering code as stated below:

O-Ring *** - ID x Cross-section - SH90

*** Material Code (NBR or FKM)
 ID x Cross-section Dimensions according to Dimension Table
 SH90 Shore Hardness (Standard)

Nominal Size		Sealing ID x Cross-section SAE J515 - STAUFF Standard
DN	(in)	
13	1/2	18,64 x 3,53
19	3/4	24,99 x 3,53
25	1	32,92 x 3,53
32	1-1/4	37,69 x 3,53
38	1-1/2	47,22 x 3,53
51	2	56,74 x 3,53
64	2-1/2	69,44 x 3,53
76	3	85,32 x 3,53
89	3-1/2	98,02 x 3,53
102	4	110,72 x 3,53
127	5	136,12 x 3,53

Ordering of Separate Bolt Sets

Ordering of separate bolt sets (consisting of 4 hexagon socket head cap bolts and 4 spring rings) by using the ordering code as stated below:

Metric bolts 8.8 **SET-BFX-IS-M12x50-8.8-ISO4762-W66 (CrVI-free)**
 Metric bolts 10.9 **SET-BFX-IS-M12x50-10.9-ISO4762-W1**
 UNC bolts **SET-BFX-IS-U5/16"-18x1"1/4-GR10-AB18.3-W1**

Thread diameter, length (see corresponding catalogue pages) and type (8.8 or 10.9 for MH / GR10 for U) have to be replaced according to your requirements. Bolts MH (Strength Properties 10.9) are delivered in blank, oiled. Please replace W66 (zinc plated) for Metric bolts and W1 (blank, oiled) with W5 to order stainless Steel (1.4571) bolts.

Metric bolts ISO 4762
 Spring rings for Metric bolts DIN 7980
 UNC bolts ANSI B 18.3
 Spring rings for UNC bolts ANSI B 18.21.1

Sealings / Sealing Materials

NBR (Buna-N®)

90 Shore Shore Hardness
 -30 °C ... +100 °C Temperature Range
 -22 °F ... + 212 °F Temperature Range

FPM (Viton®)

85 ... 90 Shore Shore Hardness
 -20 °C ... +200 °C Temperature Range
 -4 °F ... +392 °F Temperature Range

Other sealing materials are available on request.

3000 PSI Standard Pressure Series (according to ISO 6162-1)

Nominal Size		Sealing ID x Cross-section	
DN	(in)	SAE J515 - STAUFF Standard	ISO 3601-1 - Alternative
13	1/2	18,64 x 3,53	19,0 x 3,55
19	3/4	24,99 x 3,53	25,0 x 3,55
25	1	32,92 x 3,53	32,5 x 3,55
32	1-1/4	37,69 x 3,53	37,5 x 3,55
38	1-1/2	47,22 x 3,53	47,5 x 3,55
51	2	56,74 x 3,53	56,0 x 3,55
64	2-1/2	69,44 x 3,53	69,0 x 3,55
76	3	85,32 x 3,53	85,0 x 3,55
89	3-1/2	98,02 x 3,53	97,5 x 3,55
102	4	110,72 x 3,53	112,0 x 3,55
127	5	136,12 x 3,53	136,0 x 3,55

6000 PSI High Pressure Series (according to ISO 6162-2)

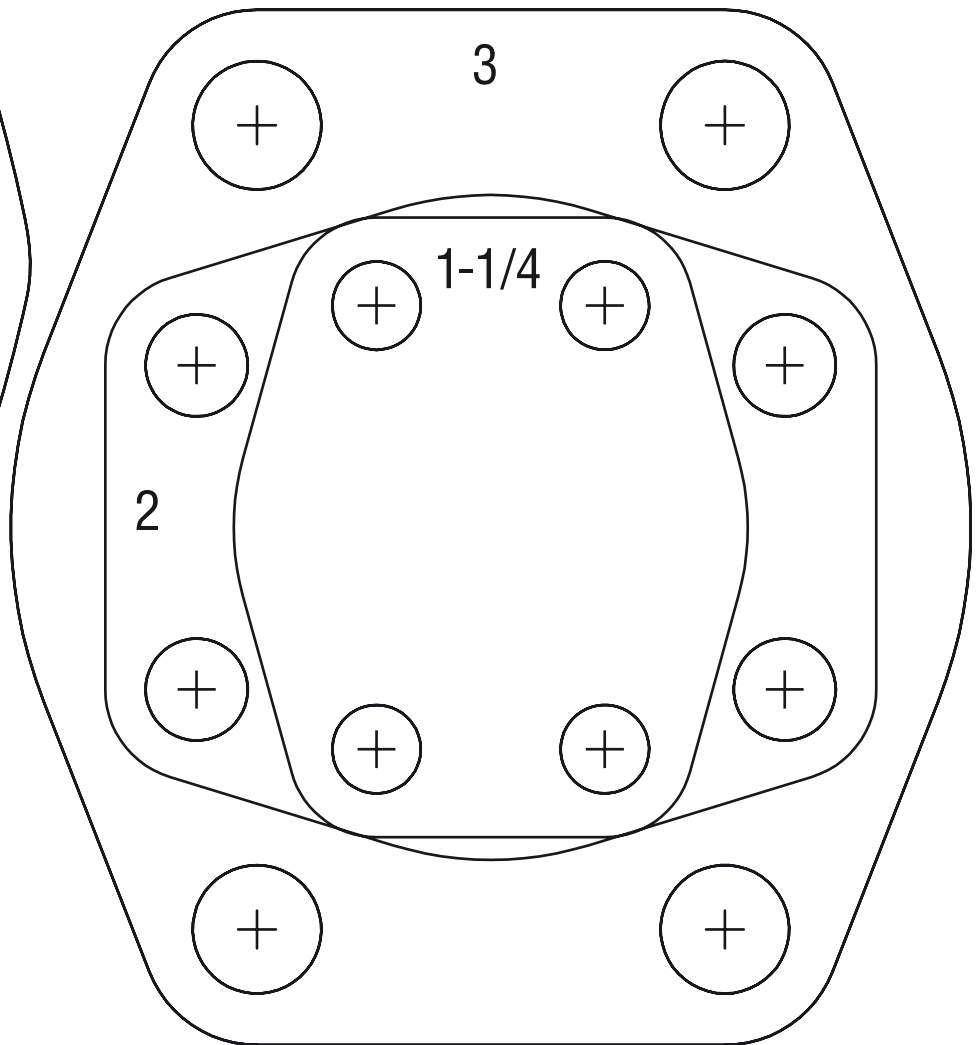
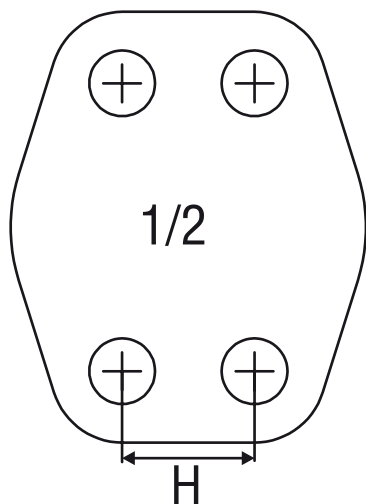
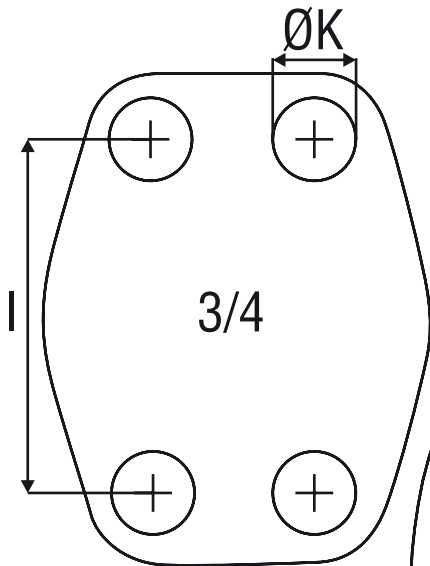
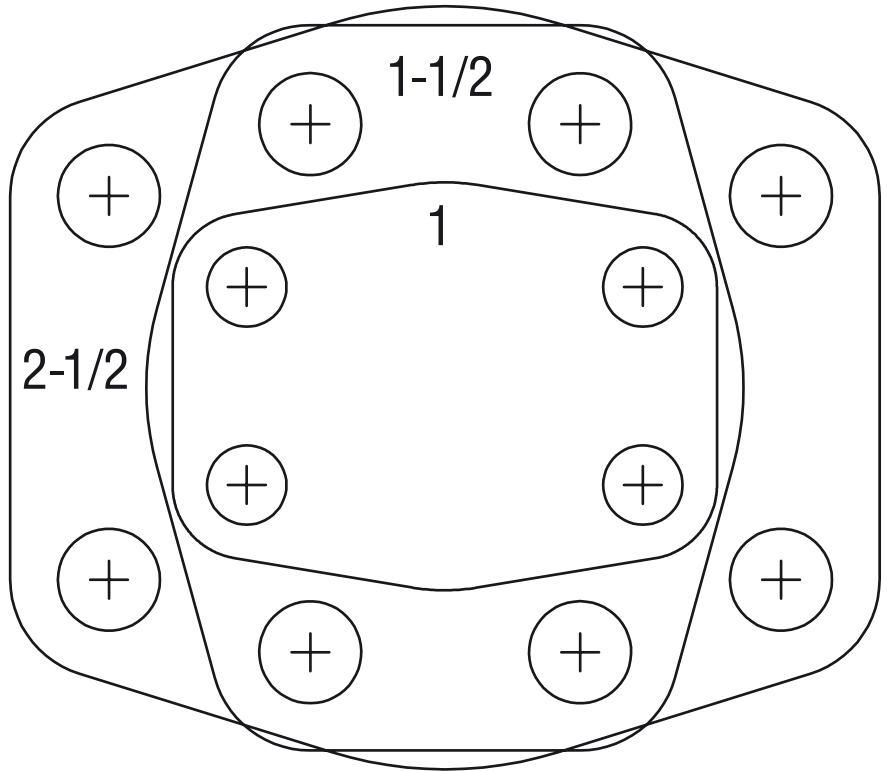
Nominal Size		Sealing ID x Cross-section	
DN	(in)	SAE J515 - STAUFF Standard	ISO 3601-1 - Alternative
13	1/2	18,64 x 3,53	19,0 x 3,55
19	3/4	24,99 x 3,53	25,0 x 3,55
25	1	32,92 x 3,53	32,5 x 3,55
32	1-1/4	37,69 x 3,53	37,5 x 3,55
38	1-1/2	47,22 x 3,53	47,5 x 3,55
51	2	56,74 x 3,53	56,0 x 3,55

SAE Flange Sizing Guide Standard Pressure Series (3000 PSI)

Instructions

To determine flange type and size, place flange over drawing provided and line up holes.

Size	H	I	Ø Screw Holes	Ø Threads
1/2	17,5	38,1	8,7	M8
3/4	22,3	47,6	10,5	M10
1	26,2	52,4	10,5	M10
1-1/4	30,2	58,7	10,5 / 12,5	M10 / M12
1-1/2	35,7	69,9	13,5 / 14,5	M12 / M14
2	42,9	77,8	13,5 / 14,5	M12 / M14
2-1/2	50,8	88,9	13,5 / 14,5	M12 / M14
3	61,9	106,4	17	M16
3-1/2	69,9	120,7	17	M16
4	77,8	130,2	17	M16
5	92,1	152,4	17	M16

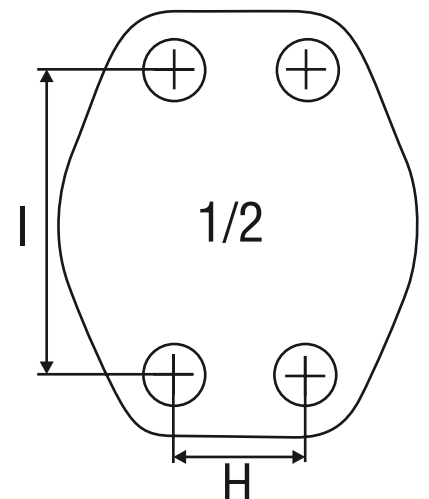
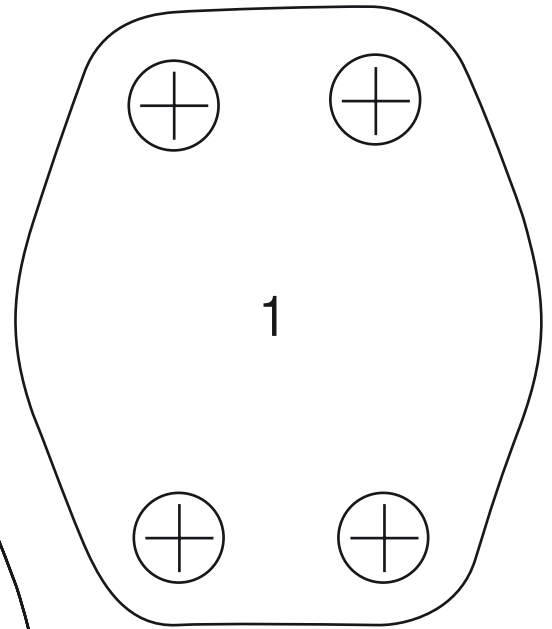
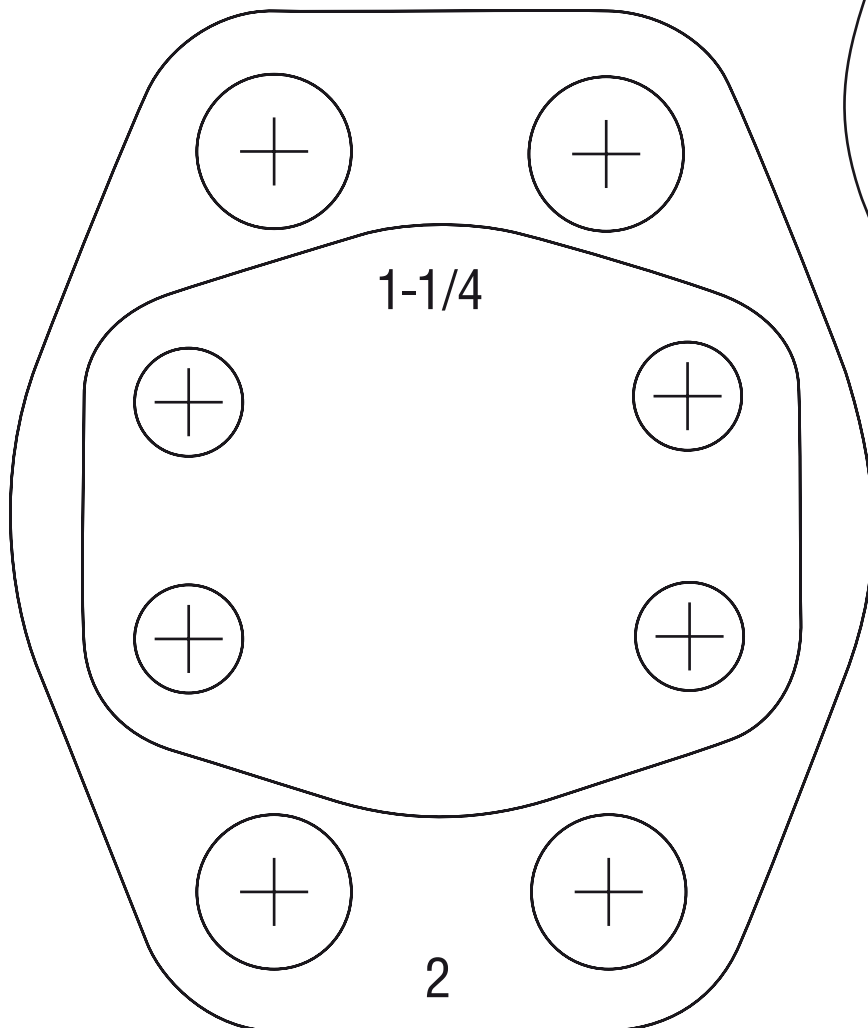
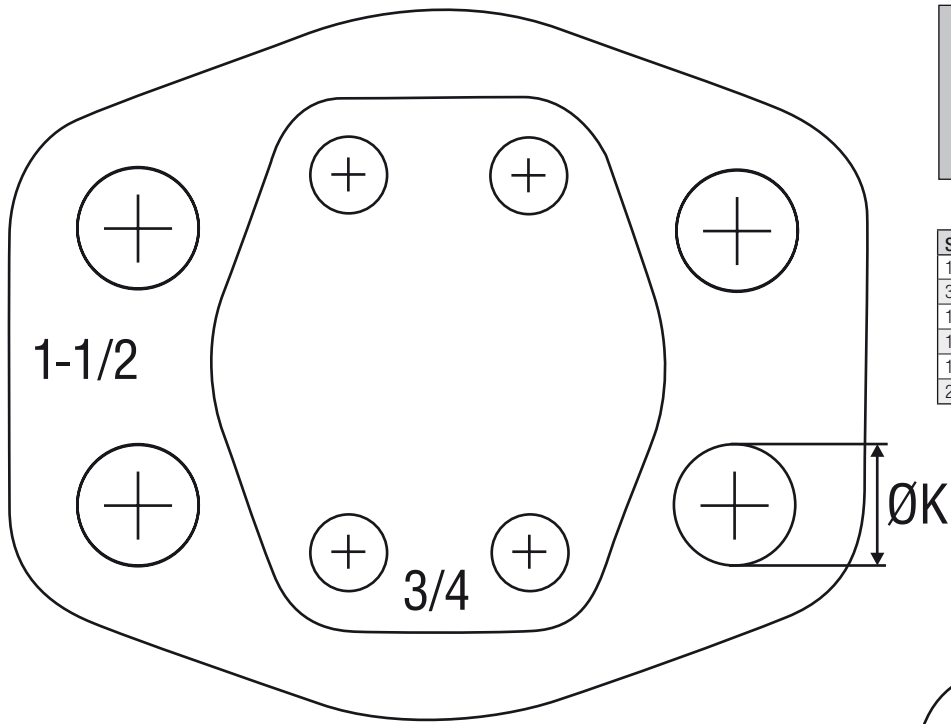


SAE Flange Sizing Guide High Pressure Series (6000 PSI)

Instructions

To determine flange type and size, place flange over drawing provided and line up holes.

Size	H	I	Ø Screw Holes	Ø Threads
1/2	18,2	40,5	8,7	M8
3/4	23,8	50,8	10,5	M10
1	27,8	57,2	13	M12
1-1/4	31,8	66,6	13,5/15	M12 / M14
1-1/2	36,5	79,3	17	M16
2	44,5	96,8	21	M20



Used Bolts: Property Classes and Tightening Torques

Bolts 8.8 M (Metric Standard)

3000 PSI Standard Pressure Series (according to ISO 6162-1)

Nominal Size		Diameter	Tightening Torques (Nm) ^{+10%}	Working Pressure max (bar)	Burst Pressure min (bar)
ISO	SAE				
13	1/2	M8	24	350	1400
19	3/4	M10	50	350	1400
25	1	M10	50	250	1000
32	1-1/4	M10	50	200	800
38	1-1/2	M12	92	200	800
51	2	M12	92	160	640
64	2-1/2	M12	92	100	400
76	3	M16	210	100	400
89	3-1/2	M16	210	35	140
102	4	M16	210	35	140
127	5	M16	210	35	140

Bolts 10.9 MH (Metric High)

3000 PSI Standard Pressure Series (according to ISO 6162-1)

Nominal Size		Diameter	Tightening Torques (Nm) ^{+10%}	Working Pressure max (bar)	Burst Pressure min (bar)
ISO	SAE				
13	1/2	M8	32	350	1400
19	3/4	M10	70	350	1400
25	1	M10	70	315	1260
32	1-1/4	M10	70	250	1000
38	1-1/2	M12	130	200	800
51	2	M12	130	200	800
64	2-1/2	M12	130	160	640
76	3	M16	295	160	640
89	3-1/2	M16	295	35	140
102	4	M16	295	35	140
127	5	M16	295	35	140

6000 PSI High Pressure Series (according to ISO 6162-2)

Nominal Size		Diameter	Tightening Torques (Nm) ^{+10%}	Working Pressure max (bar)	Burst Pressure min (bar)
ISO	SAE				
13	1/2	M8	24	350	1400
19	3/4	M10	50	350	1400
25	1	M12	92	350	1400
32	1-1/4	M12	92	350	1400
32	1-1/4	M14 ¹	130	350	1400
38	1-1/2	M16	210	350	1400
51	2	M20	400	350	1400

6000 PSI High Pressure Series (according to ISO 6162-2)

Nominal Size		Diameter	Tightening Torques (Nm) ^{+10%}	Working Pressure max (bar)	Burst Pressure min (bar)
ISO	SAE				
13	1/2	M8	32	400	1600
19	3/4	M10	70	400	1600
25	1	M12	130	400	1600
32	1-1/4	M12	130	400	1600
32	1-1/4	M14 ¹	180	400	1600
38	1-1/2	M16	295	400	1600
51	2	M20	550	400	1600

Bolts Gr10 U (UNC)

3000 PSI Standard Pressure Series (according to ISO 6162-1)

Nominal Size		Diameter	Tightening Torques (Nm) ^{+10%}	Working Pressure max (bar)	Burst Pressure min (bar)
ISO	SAE				
13	1/2	5/16-18 UNC	32	350	1400
19	3/4	3/8-16 UNC	60	350	1400
25	1	3/8-16 UNC	60	315	1260
32	1-1/4	7/16-14 UNC	92	250	1000
38	1-1/2	1/2-13 UNC	150	200	800
51	2	1/2-13 UNC	150	200	800
64	2-1/2	1/2-13 UNC	150	160	640
76	3	5/8-11 UNC	295	160	640
89	3-1/2	5/8-11 UNC	295	35	140
102	4	5/8-11 UNC	295	35	140
127	5	5/8-11 UNC	295	35	140

6000 PSI High Pressure Series (according to ISO 6162-2)

Nominal Size		Diameter	Tightening Torques (Nm) ^{+10%}	Working Pressure max (bar)	Burst Pressure min (bar)
ISO	SAE				
13	1/2	5/16-18 UNC	32	400	1600
19	3/4	3/8-16 UNC	60	400	1600
25	1	7/16-14 UNC	92	400	1600
32	1-1/4	1/2-13 UNC	150	400	1600
38	1-1/2	5/8-11 UNC	295	400	1600
51	2	3/4-10 UNC	450	400	1600

Notes

¹ Not to be used for new designs.

Attention: All bolts have to be pre-tightened before applying the full tightening torque to the bolts. Otherwise, the flange may break.

Please note that the tightening torques as stated above are only recommendations. These values correspond to oiled bolts with a friction coefficient of 0.17 and the material combination Steel/Steel. The exact tightening torques depend on factors like material, finishing, coating and lubrication of the components used, and have to be determined by the user himself.