

DIAPHRAGM ACCUMULATOR ORDERING TABLE

DIAPHRAGM ACCUMULATORS

Use the table below to determine the part number for your desired accumulator. For help sizing your accumulator, selecting a compatible elastomer, and to obtain a quote on accumulators and all our other products, visit our website at accumulators.com.

Select the desired option from each list and place the corresponding code in its proper place:

MODEL	SIZE	PRESSURE	FLUID PORT	ELASTOMER	SERVICE	EXAMPLE
AME	30	3100	3		NP	= AME3031003NP

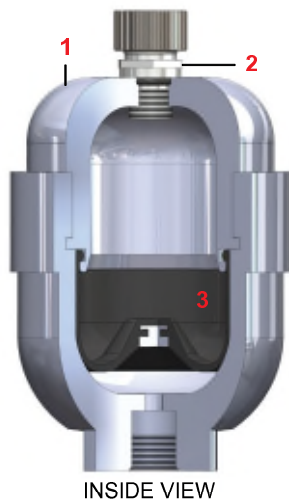
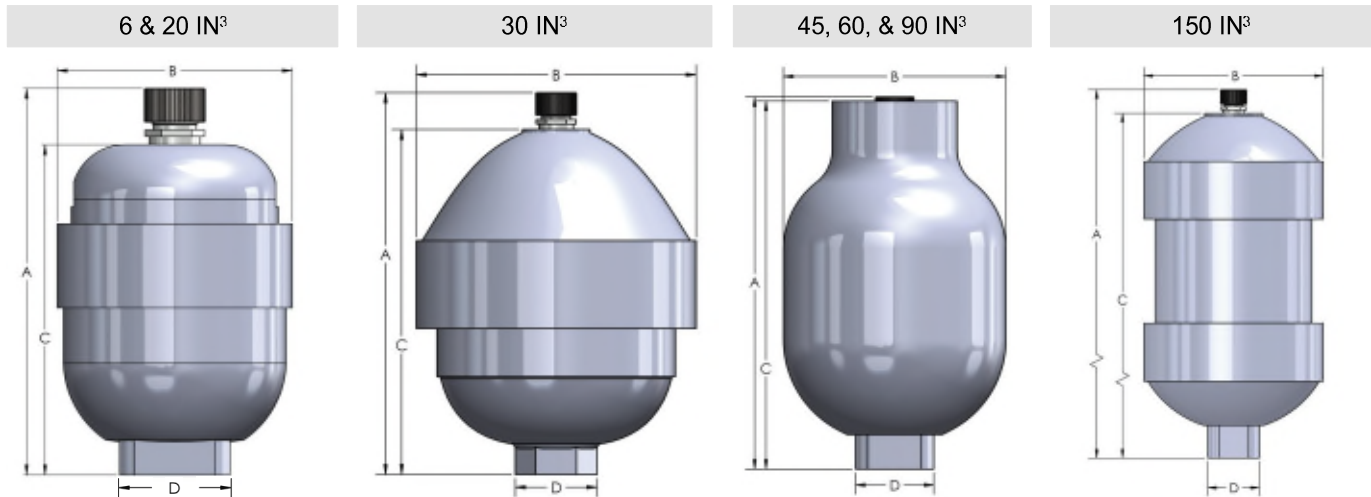
MODEL		PRESSURE		FLUID PORT		ELASTOMER	
OPTION	CODE	OPTION	CODE	OPTION	CODE	OPTION	CODE
Repairable	AME	2000 PSI	2100	6 - 30 cu. in.; 3/4" SAE	3	Buna-Nitrile	Blank
Welded	AMW	3000 PSI	3100	45-150 cu. in.; 1-1/16" SAE	3	Hydrin/ECO	H
SIZE		5000 PSI	5100			EPR	E
OPTION	CODE					Viton	V
6 cu. in.	6					SERVICE	
10 cu. in.	10					OPTION	CODE
20 cu. in.	20					Painted	Blank
30 cu. in.	30					All Stainless	AS
45 cu. in.	45					Nickel Plated	NP
60 cu. in.	60						
85 cu. in.	85						
90 cu. in.	90						
150 cu. in.	150						

Only the most popular options are shown above. We have many more options and products available.

REPAIRABLE DIAPHRAGM ACCUMULATORS

6-150 IN³ MODELS

Part numbers below are standard carbon steel. Items are available with coatings or in stainless steel for improved corrosion resistance and diaphragm life. The models detailed below are fully repairable.



INSIDE VIEW

COMPONENT PARTS

- 1 Shell
- 2 Gas valve
- 3 Diaphragm

3000 PSI MODELS

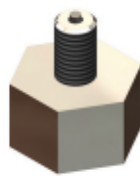
PART NUMBER	NOMINAL SIZE (IN ³)	GAS VOLUME (IN ³)	DIMENSIONS				WEIGHT (LBS.)	STD. FLUID PORT	REPAIR KIT
			A	B	C	D			
AME631003	6	6.10	5.0	3.0	4.3	1.4	4.2	3/4"-16 SAE	AM-6-3KT
AME2031003	20	21.4	6.2	3.9	5.4	1.4	6.4	3/4"-16 SAE	AM-20-3KT
AME3031003	30	30.5	6.8	4.6	6.0	1.4	9.0	3/4"-16 SAE	AM-30-3KT
AME45TR31003	45	45.8	7.8	4.6	7.6	1.6	9.6	1-1/16"-12 SAE	AM-60-TR-3KT
AME60TR31003	60	61.0	8.5	4.6	8.3	1.6	11.0	1-1/16"-12 SAE	AM-60-TR-3KT
AME90TR31003	90	91.5	11.7	4.6	11.5	1.6	14.9	1-1/16"-12 SAE	AM-90-3KT
AME15031003	150	152.6	17.3	5.4	16.5	1.6	30.9	1-1/16"-12 SAE	AM-150-3KT

5000 PSI MODELS

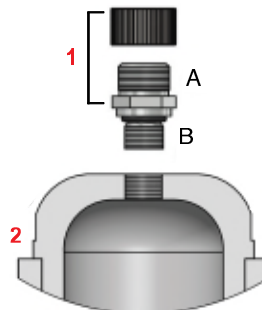
PART NUMBER	NOMINAL SIZE (IN ³)	GAS VOLUME (IN ³)	DIMENSIONS				WEIGHT (LBS.)	STD. FLUID PORT	REPAIR KIT
			A	B	C	D			
AME651003	6	6.10	5.0	3.0	4.3	1.4	4.2	3/4"-16 SAE	AM-6-3KT
AME2051003	20	21.36	6.2	3.9	5.4	1.4	6.4	3/4"-16 SAE	AM-20-3KT
AME3051003	30	30.51	6.8	4.6	6.0	1.4	9.0	3/4"-16 SAE	AM-30-3KT

CHARGING & GAUGING

To charge our repairable diaphragm accumulators, use charging kit AME-CG3-3KT-SS or use adapter AME-CG-004 with our AI-CG3-3KT-SS bladder accumulator charging kit.



AME-CG-004



3K | 5K STANDARD GAS VALVE WITH CAPTURED O-RING SEAL

COMPONENT PARTS

ITEM	PART #	DESCRIPTION
1	AME-309-1	Gas valve assembly
2	-	Shell

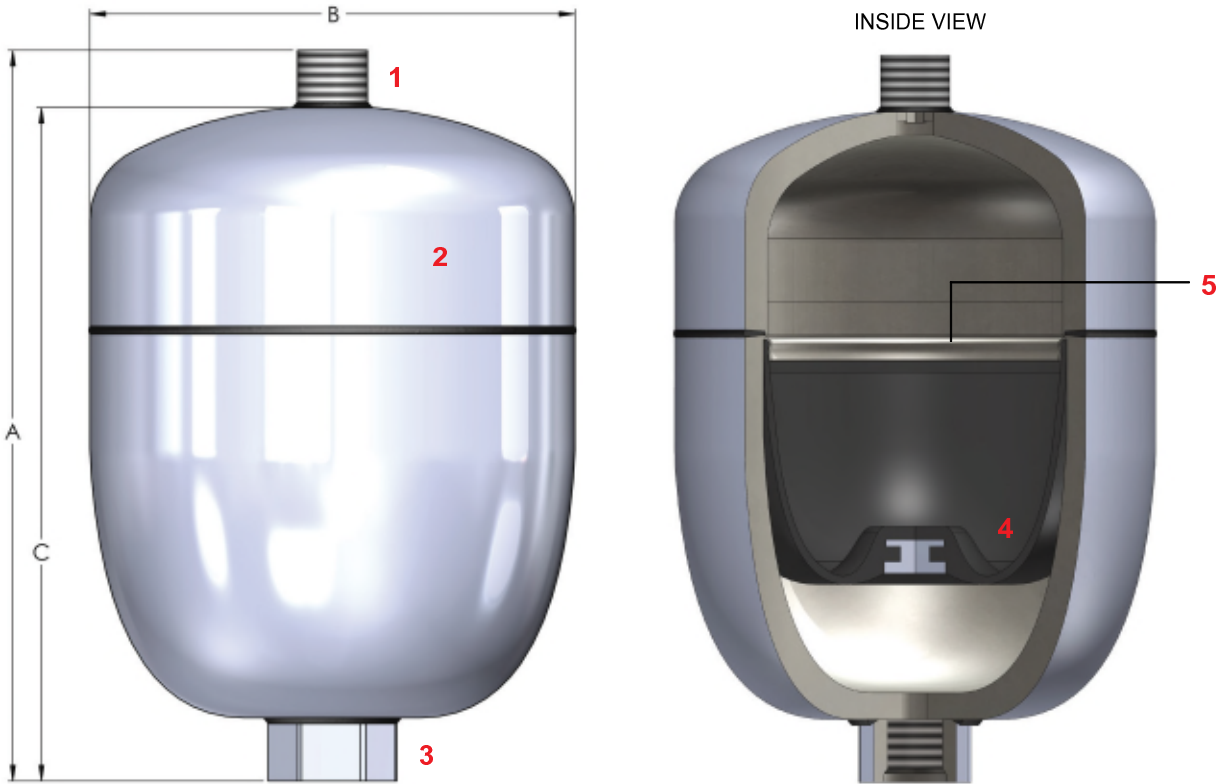
THREAD SPECIFICATIONS

ITEM	DESCRIPTION
A	5/8"-18 UNF
B	M12x1.5

WELDED DIAPHRAGM ACCUMULATORS

10-85 IN³ MODELS

Part numbers below are standard carbon steel. Items are available with OD coatings or in stainless steel for improved corrosion resistance and diaphragm life. The models detailed below are non-repairable and should be replaced if no longer functioning properly.



3000 & 5000 PSI MODELS							
PART NUMBER	MODEL PRESSURE	NOMINAL SIZE (IN ³)	GAS VOLUME (IN ³)	DIMENSIONS			WEIGHT (LBS.)
				A	B	C	
AMW1031003	3000	10	9.8	4.9	2.7	4.2	2
AMW2031003	3000	20	21.4	6	3.8	5.2	4
AMW3031003	3000	30	30.5	6.5	4.1	5.7	5.1
AMW4531003	3000	45	45.7	6.7	4.8	6	6.6
AMW6031003	3000	60	61.0	8.2	4.6	6.6	9.9
AMW8531003	3000	85	85.4	7.6	6	6.9	12.3
AMW6051003	5000	60	61.0	8.1	5.3	7.3	10.8

COMPONENT PARTS	
ITEM	DESCRIPTION
1	Gas port, M28X1.5, welded
2	Shell
3	Fluid port, 3/4" SAE (#8)
4	Diaphragm
5	Diaphragm supporting plate

M28X1.5 CHARGING AND GAUGING KIT



We offer two charging and gauging kits for our welded accumulators:

- AMW-CG3-3KT-SS (3000 PSI models)
- AMW-CG5-5KT-SS (5000 PSI models)

These charging kits require no additional tools or parts to precharge or check gas pressure on any M28X1.5 gas valve port.