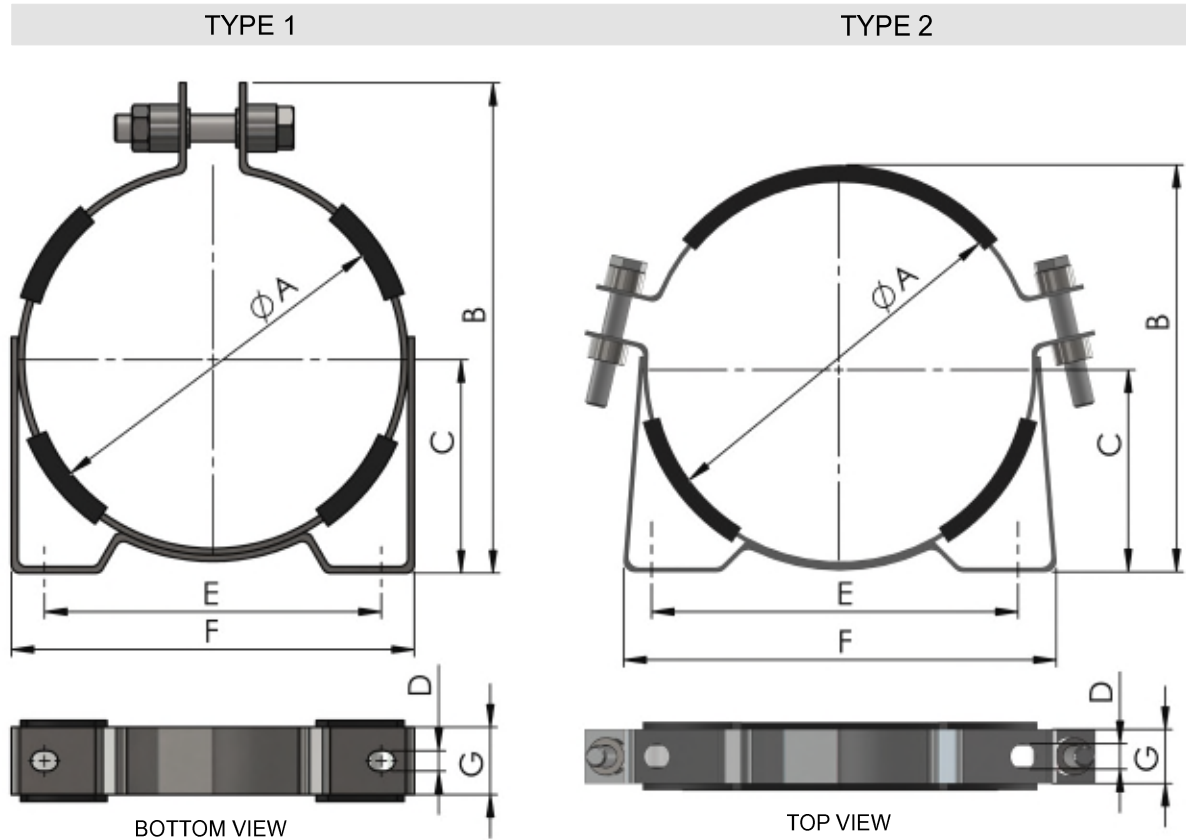


COLLARS

BLADDER ACCUMULATORS - MOUNTING



MOUNTING COLLARS FOR BLADDER ACCUMULATORS

ITEM	TYPE	PART NUMBER ZINC PLATED	PART NUMBER STAINLESS	DIMENSIONS (IN.)						
				A	B	C	D	E	F	G
1 QT 3000 & 5000 PSI Collar	1	AI-1QT-511	Contact Us	4.5	6.7	2.9	0.4	3.9	5.3	1.3
1 GAL 3000 PSI Collar	1	AI-1-511	AI-1-511-SS	6.8	9.0	3.9	0.4	6.0	7.5	1.3
1 GAL 6000 PSI Collar	1	AI-1-6-511	AI-1-6-511-SS	7.2	9.3	4.0	0.4	6.3	7.9	1.3
2.5-15 GAL 3000 PSI Collar	2	AI-S-511	AI-S-511-SS	8.9	9.4	4.7	0.6	8.5	10.0	1.3
2.5-15 GAL 6000 PSI Collar	2	AI-S6-511	AI-S6-511-SS	9.5	10.3	5.3	0.6	8.5	10.4	1.5
2.5-15 GAL 10000 PSI Collar	2	-	AI-S10-511-SS	11.6	12.5	6.4	0.7	10.7	14.8	1.5

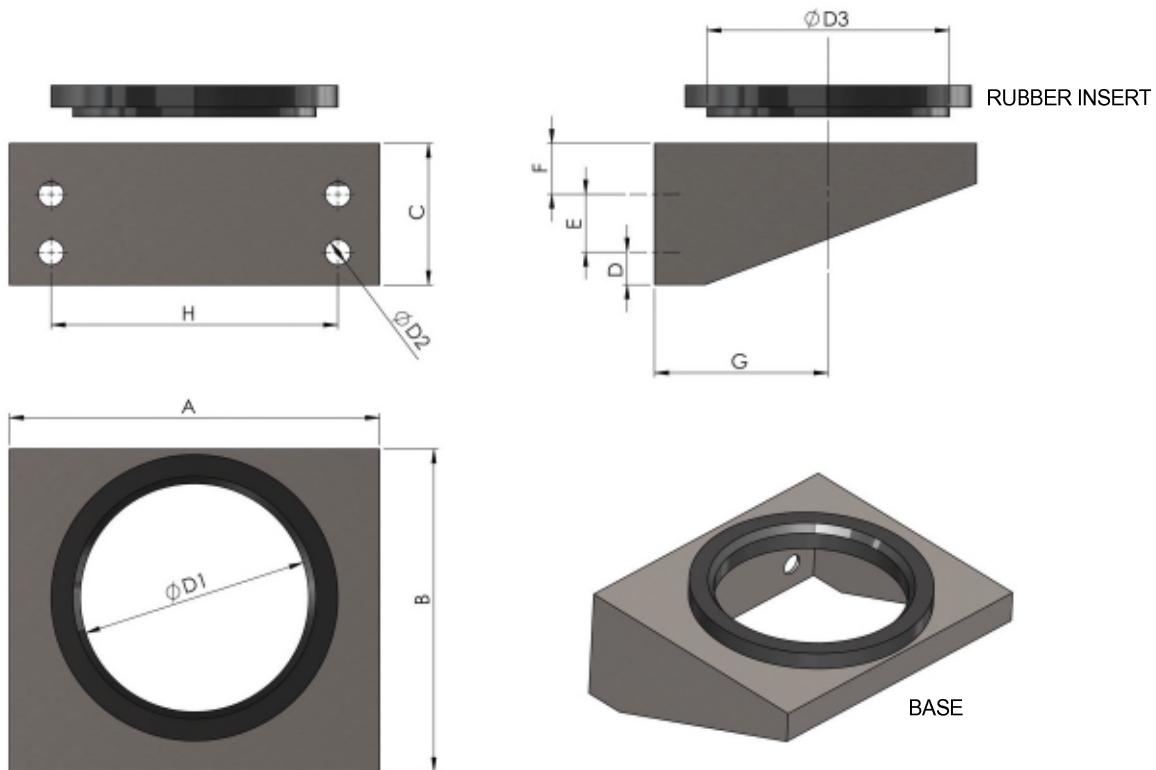
In addition to the standard options shown above, mounting collars are available in increments of 1/4" from 3" to 20" OD (AI-CLR-300 through AI-CLR-2000). Please visit our website for more information.

Mounting collars are sold in kit form, including the appropriate adjustment bolts and rubber cushions. Mounting bolts are not included (for hole marked D). Standard collars are carbon steel plated with zinc. Stainless collars are 300 series stainless. Mounting bases are recommended and are sold separately.

These collars are mounting fasteners only and are not intended to support the entire weight of an accumulator. Contact us for specifications.

BASES

BLADDER ACCUMULATORS - MOUNTING



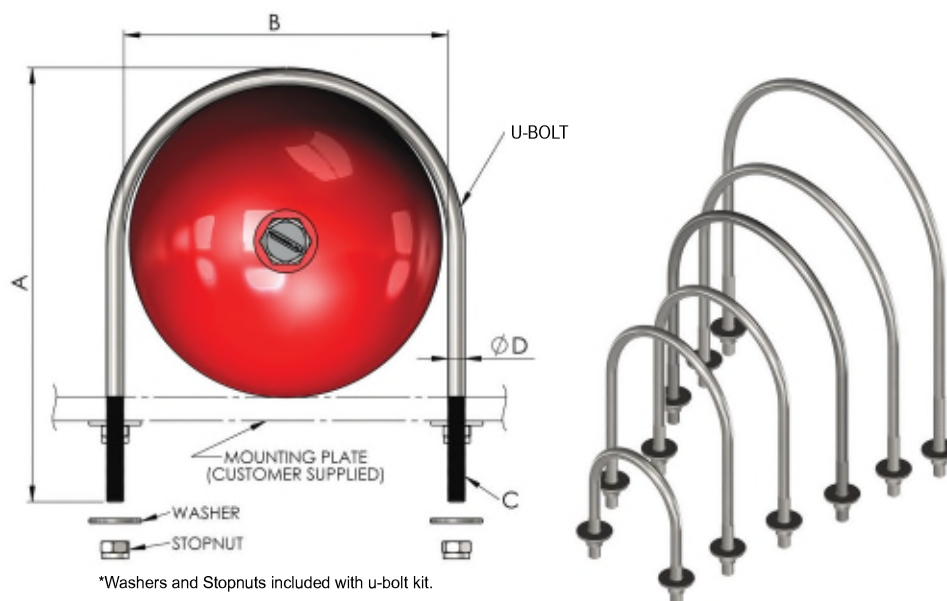
MOUNTING BASES FOR BLADDER ACCUMULATORS

ITEM	KIT PART NUMBER	DIMENSIONS (IN.)										
		A	B	C	D	D1	D2	D3	E	F	G	H
1 QT 3000 & 5000 PSI Base	AI-1QT-512	7.9	6.9	3.5	0.7	4.3	0.4	4.7	1.6	1.2	3.7	5.5
1 QT 3000 & 6000 PSI SS Base	AI-1QT-512-SS	7.9	6.9	3.5	0.7	4.3	0.4	4.7	1.6	1.2	3.7	5.5
1 GAL 3000 & 6000 PSI Base	AI-1-512	10.2	8.9	3.9	1.0	4.3	0.7	4.7	1.6	1.4	3.6	7.9
1 GAL 3000 & 6000 PSI SS Base	AI-1-512-SS	10.2	8.9	3.9	1.0	4.3	0.7	4.7	1.6	1.4	3.6	7.9
1 QT & 1 GAL Rubber Insert Replacement	AI-1QT-513	-	-	-	-	4.3	-	4.7	-	-	-	-
2.5-15 GAL 3000 PSI Base	AI-S-512	10.2	8.9	3.9	1.0	6.3	0.7	6.7	1.6	1.4	4.8	7.9
2.5-15 GAL 3000 PSI SS Base	AI-S-512-SS	10.2	8.9	3.9	1.0	6.3	0.7	6.7	1.6	1.4	4.8	7.9
2.5-15 GAL 6000 PSI Base	AI-S6-512	10.2	9.4	3.9	1.0	6.3	0.7	6.7	1.6	1.4	5.3	7.9
2.5-15 GAL 6000 PSI SS Base	AI-S6-512-SS	10.2	9.4	3.9	1.0	6.3	0.7	6.7	1.6	1.4	5.3	7.9
2.5-15 GAL 10000 PSI SS Base	AI-S10-512-SS	12	12.5	3.9	0.9	6.3	0.7	6.7	1.6	1.4	6.4	7.9
2.5-15 GAL Rubber Insert Replacement	AI-S-513	-	-	-	-	6.3	-	6.7	-	-	-	-

Bases can be used in conjunction with our rubber-lined mounting collars to achieve proper vertical alignment.

All mounting bases are sold in kit form and include the rubber insert. Mounting bolts are not included.

Standard mounting bases are zinc plated carbon steel. Stainless steel units are 300 series stainless. Dimensions are nominal and may vary within manufacturing tolerances. Mounting collars sold separately.



BLADDER ACCUMULATORS U-BOLTS							
SIZE	KIT QTY	PART NUMBER		DIMENSIONS (IN.)			
		CARBON STEEL	STAINLESS	A	B	C	D
1 QT 3000 & 5000	1	AI-1QT-507-KIT	AI-1QT-507-KIT-SS	6.1	4.8	2" X 3/8" -16 UN	0.3
1 QT Washer	2	AI-1QT-509	AI-1QT-509-SS	-	-	-	-
1 QT Stop Nut	2	AI-1QT-508	AI-1QT-508-SS	-	-	3/8" -16 UN	-
1 GAL 3000 PSI	1	AI-1-507-KIT	AI-1-507-KIT-SS	10.1	6.8	3" X 1/2" -13 UN	0.5
2.5 GAL 3000 PSI	1	AI-2.5-507-KIT	AI-2.5-507-KIT-SS	12.3	9.4	3.5" X 1/2" -13 UN	0.5
5-15 GAL 3000 PSI	2	AI-507-KIT	AI-507-KIT-SS	12.3	9.4	3.5" X 1/2" -13 UN	0.5
1 GAL 6000 PSI	1	AI-1-6-507-KIT	AI-1-6-507-KIT-SS	10.6	7.3	3" X 1/2" -13 UN	0.5
2.5 GAL 6000 PSI	1	AI-2.5-6-507-KIT	AI-2.5-6-507-KIT-SS	13	10	3.5" X 1/2" -13 UN	0.5
5-15 GAL 6000 PSI	2	AI-S6-507-KIT	AI-S6-507-KIT-SS	13	10	3.5" X 1/2" -13 UN	0.5
2.5-15 GAL 10000 PSI	1	-	AI-S10-507-KIT-SS	15.9	12.3	4" X 5/8" -11 UN	0.6
1-15 GAL Washer	2 or 4	AI-509	AI-509-SS	-	-	-	-
1-15 GAL Stop Nut	2 or 4	AI-508	AI-508-SS	-	-	1/2" -13 UN	-

Additional options available: Teflon Coated (-T), Rubber Coated (-RUB).
Custom sizes available. Please contact us for more details.

All mounting U-bolts are sold in kit form with elastic stop nuts and washers. All standard units are zinc-plated carbon steel. Rubber coated units are carbon or stainless steel, shrunk-fit with buna-nitrile rubber. DuPont™ Teflon® coated units are carbon steel with Teflon spray coating.

Dimensions are nominal and may vary within manufacturing tolerances. It is recommended that you have the U-bolt on-hand when drilling mounting plate. U-bolts are not designed to work in conjunction with our mounting bases.

These u-bolts are mounting fasteners only and are not intended to support the entire weight of an accumulator. Contact us for specifications.