

Series LEU



LEU (Materials)

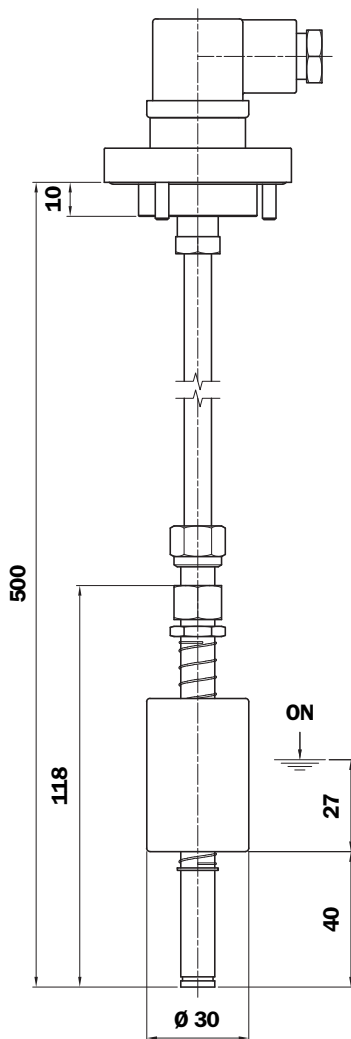
- Flange: Aluminium
- Tube: AISI 304
- Float: Hard rubber (AISI 316 on request)
- O-Ring: NBR
- Circlip: AISI 304
- Float contact: N.C. reed (N.O. on request)
- Protection rating: IP65
- Max switching capacity: 50 W
- Max switching current: 0.5 A
- Max switching voltage: 250 Vac
- Fluid specific gravity: > 0.75

Weight

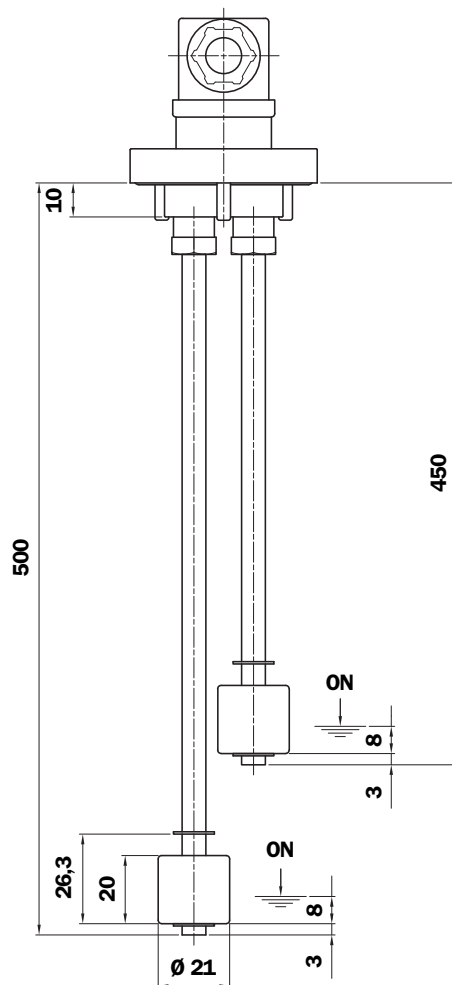
310 gr (for 1 float)

415 gr (for 2 floats)

**LEU
1 Float**



**LEU
2 Floats**



Wiring

1 Float:

- Use Connectors 1 and 2 (both WHITE wires)

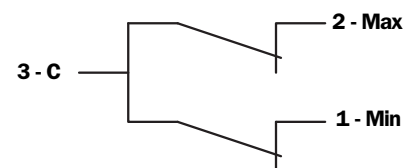
MIN and MAX floats:

- 1 Minimum: BLACK wire
- 2 Maximum: RED wire
- 3 Common: Both WHITE wires

LEU 1 Float



LEU 2 Min and Max floats



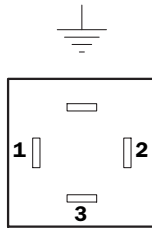
To invert the contact status from NO to NC and vice versa, simply invert the float.

2

1



Cut the tubes to the required length.



Wire the connector.



Secure the level indicators to the connector support by means of the ferrule system (14 mm wrench).

Ordering information LEU

Electrical level indicator

LEU

Example: LEU

1	2	3	4	5	6	7	8
<input type="checkbox"/>	<input type="checkbox"/>	<input type="checkbox"/>	<input type="checkbox"/>	<input type="checkbox"/>	<input type="checkbox"/>	<input type="checkbox"/>	<input type="checkbox"/>
A	1	A	1	A	F	S	P01

1 - Tube material

- A** Brass (only version 1 float)
- B** AISI 304 (only version 2 floats)

2 - Number of float

- 1** Nr. 1 float
- 2** Nr. 2 floats

3 - Float material

- A** Nylon foam (only version 1 float)
- B** NBR (only version 2 floats)

4 - Contact

- 1** N.C.

5 - Seal

- A** NBR

6 - Type of fixing

- F** 3 holes flange

7 - Electrical connection

- S** DIN 43650 connector

8 - Option

- P01** MP Filtri standard
- Pxx** On request