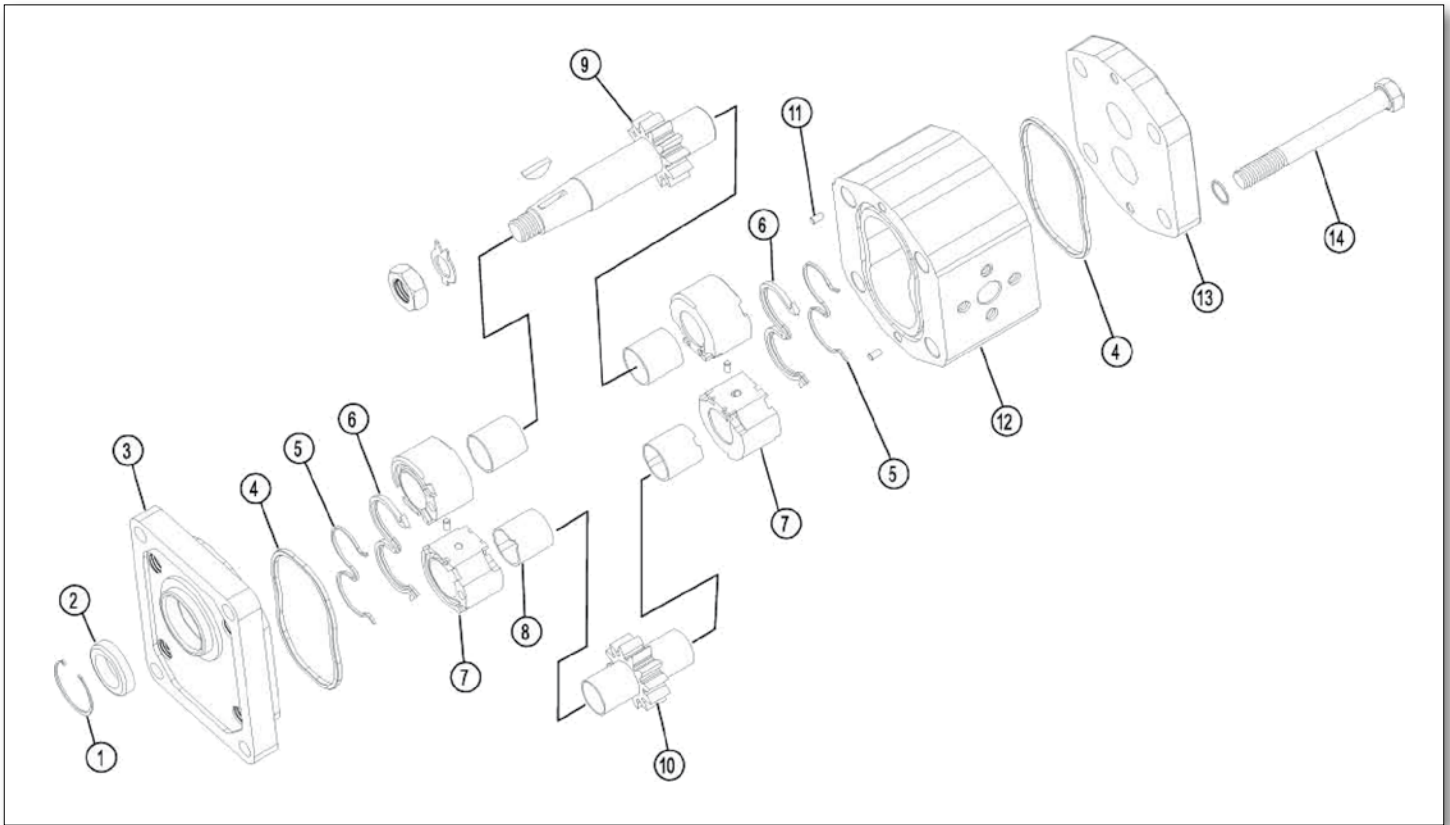




***Gear pumps and motors
series YBP and YBM***

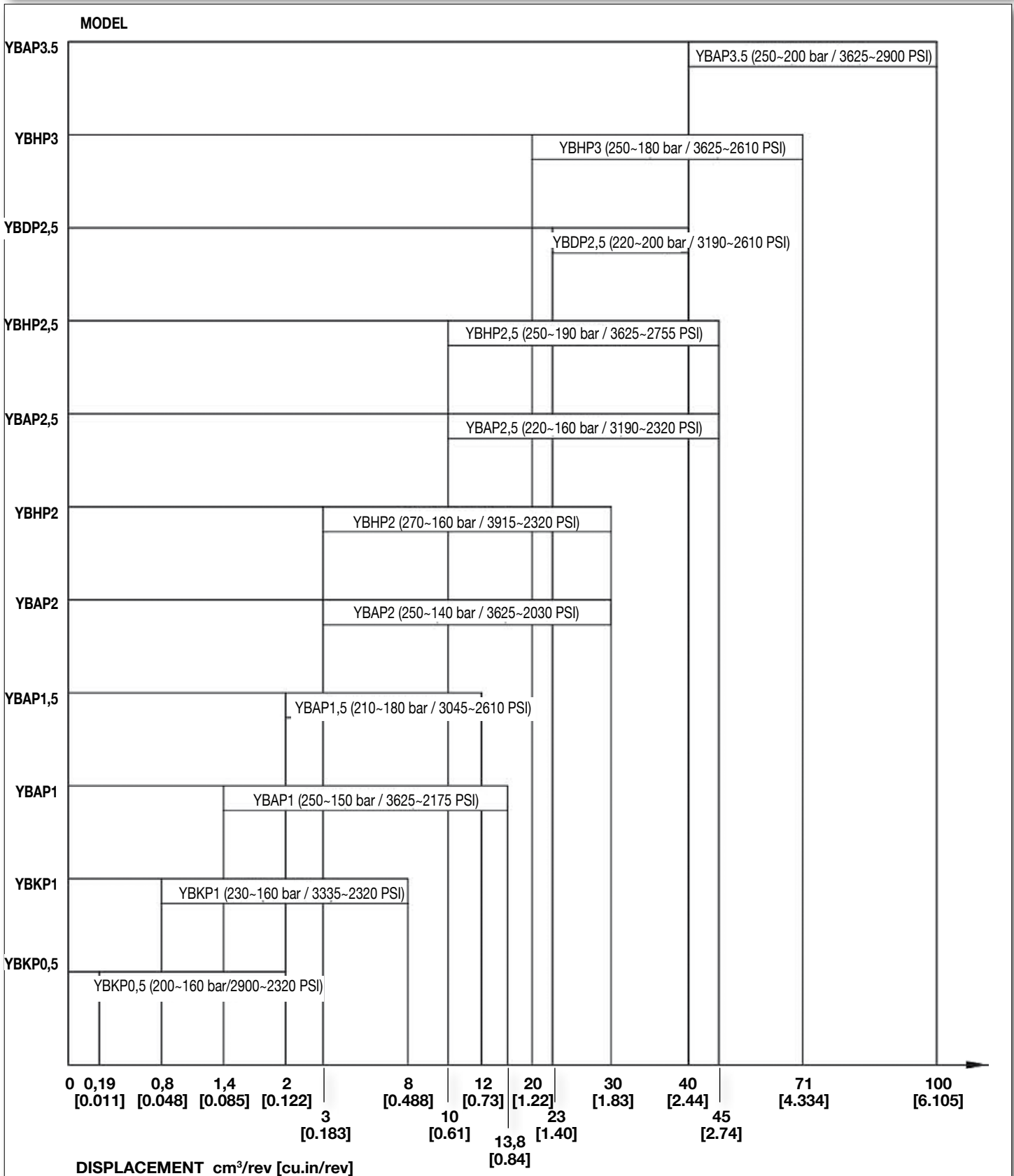
INTRODUCTION		PAG.	2
YBKP0.5	YBKP0.5	PAG.	7
	YBKP0.5B1	PAG.	8
	YBKP0.5A0	PAG.	9
	YBKP0.5A1	PAG.	10
	YBKP0.5B2R-VQ1	PAG.	11
YBKP1	YBKP1Q0	PAG.	14
	YBKP1Q1	PAG.	15
	YBKP1Q2	PAG.	16
	YBKP1B0	PAG.	17
YBAP1	YBAP1B0	PAG.	22
	YBAP1A0	PAG.	23
	YBAP1Q0	PAG.	24
YBAP1.5	YBAP1.5Q0	PAG.	28
YBAP2 [YBHP2]	YBHP2B0	PAG.	31
	YBHP2B1	PAG.	32
	YBHP2B2	PAG.	33
	YBHP2A0	PAG.	34
	YBHP2Q0	PAG.	35
	YBHP2Q1	PAG.	36
	YBHP2Q2	PAG.	37
	YBHP2A0-R	PAG.	38
	YBHP2A0-FX	PAG.	39
	YBHP2A0-FAX	PAG.	40
YBAP2.5 [YBHP2.5]	YBAP2.5A0	PAG.	46
	YBAP2.5A1	PAG.	47
	YBHP2.5A2	PAG.	48
YBAP2.5 [YBHP2.5]	YBAP2.5A0	PAG.	46
	YBAP2.5A1	PAG.	47
YBDP2.5	YBDP2.5A0-R	PAG.	54
	YBDP2.5A0-D	PAG.	55
YBHP3	YBHP3	PAG.	59
	YBHP3B1	PAG.	60
	YBHP3A0	PAG.	61
	YBHP3A1	PAG.	62
YBAP3.5	YBAP3.5Q0	PAG.	68
	YBAP3.5Q1	PAG.	69
	YBAP3.5A0 (YBAP3.5A1)	PAG.	70
MULTIPLE PUMPS	YBHP2/B0	PAG.	75
	YBHP2/B1	PAG.	76
	YBHP2/A0	PAG.	77

PUMP'S PARTS



- | | |
|----|------------------|
| 1 | RETAINING RING |
| 2 | SHAFT SEAL. |
| 3 | FROOT COVER |
| 4 | HOUSING SEAL |
| 5 | BEARING |
| 6 | COOPENATION SEAL |
| 7 | BUSHING |
| 8 | DU BEARING |
| 9 | DRIVEGEAR |
| 10 | DRIVEN GEAR |
| 11 | LOCATING PIN |
| 12 | BODY |
| 13 | END COVER |
| 14 | BOLT AND WASHER |

PRODUCT RANGE



Remark: The shown pressure in the graph is to be considered as "MAXIMUM CONTINUOUS PRESSURE". Product series "YBH" has "Cast Iron" front and end covers. All other have aluminum covers

TECHNICAL INFORMATION

Please strictly follow instructions given in this catalogue for best performance and longer life of pumps and motors

INSTALLATION NOTES

Before starting the system on a continuous basis, we suggest to adopt as follows simple precautions.

- Insure that pump rotation and motor or mover rotation are identical.
- Check for proper alignment of pump/mover shaft. It is important that the connection does not create radial or axial load on the pump shaft
- Check if contact area between seal ring and shaft is clean, remove all dirt, chips and all foreign bodies from flanges connecting inlet and delivery ports, dust could provoke quicker wear and leakage.
- Ensure that intake and return pipes ends are always below fluid level and as far from each other as possible.
- Fill the pump with fluid, and turn it by hand.
- Disconnect pump drain during startup to bleed air off the circuit.
- Always avoid or limit load at starting for pump longer life.

HYDRAULIC FLUIDS

Use mineral oil based hydraulic fluids having good antioxidant, anti-foaming (rapid de aeration), anti-wear, anti-corrosion and lubricating properties, Fluids should also comply with DIN 51525 and VDMA 24317 standards and gel through 11th stage of FZG test.

For the standard models, the temperature of the fluid should be between -10°C and +80°C.

Fluid kinematic viscosity ranges are the following:

allowed range	6...500 cSt
recommended range	10...100 cSt
value allowed at startup	...2000 cSt

INLET PRESSURE

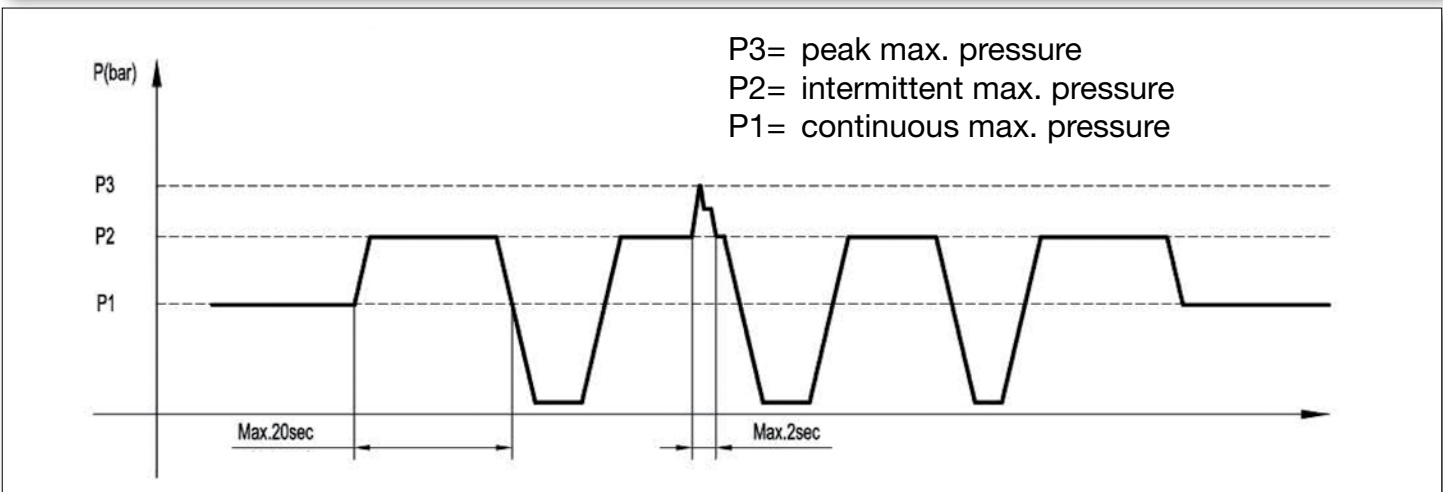
Under standard working conditions, intake pipe pressure is lower than atmospheric pressure. The operating inlet pressure should range between 0.7 and 3 bars (absolute).

FILTER RECOMMENDATION

It is widely known that most pumps early failures are due to contaminated fluids. As a warranty cannot be issued for dirt related wear, we recommend a filter be used, which can reduce the degree of contamination to a permissible dimension in terms of the size and concentration of dirt particles. The filtering system shall always ensure contamination levels not exceeding the values indicated below:

Pressure	<140 bar	140...210bar	>210 bar
	<2030 PSI	2030...3045 PSI	>3045 PSI
NAS 1638 Class	10	9	9
ISO 4406 Class	19/16	18/15	17/14
Ratio $\beta_x=75$	25-40 μ	12-15 μ	6-12 μ

PRESSURE DEFINITION



INLET AND DELIVERY LINES

Hydraulic system pipes or hoses should not have changes of direction, sharp bends or sudden differences in cross-sections

They should not be too long or out of proportion.

Pipe cross-section should be sized so that fluid velocity does not exceed recommended values.

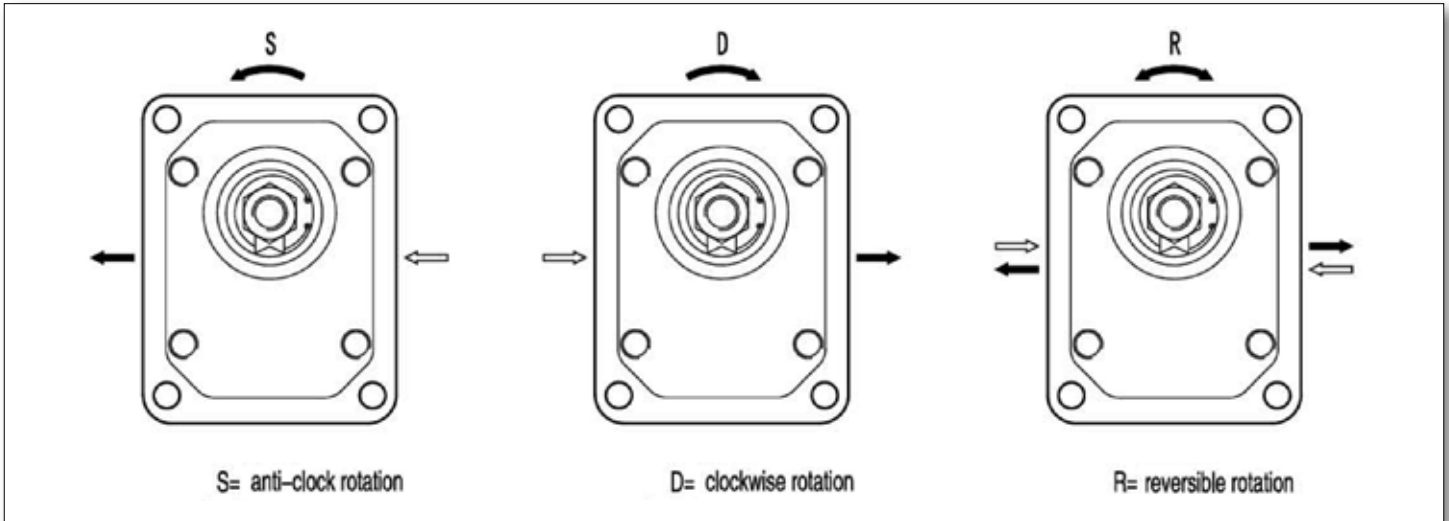
Carefully consider the diameter reduction of the inlet and outlet pipes or hoses at the connection point with fittings.

Reference values are the following:

RECOMMENDED OIL VELOCITY IN PIPES OR HOSES	
Intake line	0.5...1.6 m/s
Delivery line	2...6 m/s
Return line	1.6...3 m/s

ROTATION DIRECTION

Rotation direction of definition: when standing before the pump with driving shaft up with its projecting end towards the observer, the pump is rotating clockwise in case of right-hand rotation “D”. The contrary will happen with left-hand pumps “S”, keeping the same point of view.



DESIGN CALCULATIONS FOR PUMP

Pressure	<140 bar	140...210bar	>210 bar
	<2030 PSI	2030...3045 PSI	>3045 PSI
NAS 1638 Class	10	9	9
ISO 4406 Class	19/16	18/15	17/14
Ratio $\beta_x=75$	25-40 μ	12-15 μ	6-12 μ

Flow	Q	l/min	
Torque	M	Nm	lb/inch
Power	P	kW	HP
Speed	n	r/min	
Pressure	Δp	bar	PSI
Displacement	V	cm ³ /rev	cu.in/rev

Volumetric efficiency	$\eta_v = \eta_v(V, \Delta P, n)$	≈ 0.93
Mechanical efficiency	$\eta_{hm} = \eta_{hm}(V, \Delta P, n)$	≈ 0.85
Total efficiency	$\eta_t = \eta_v \cdot \eta_{hm}$	≈ 0.80

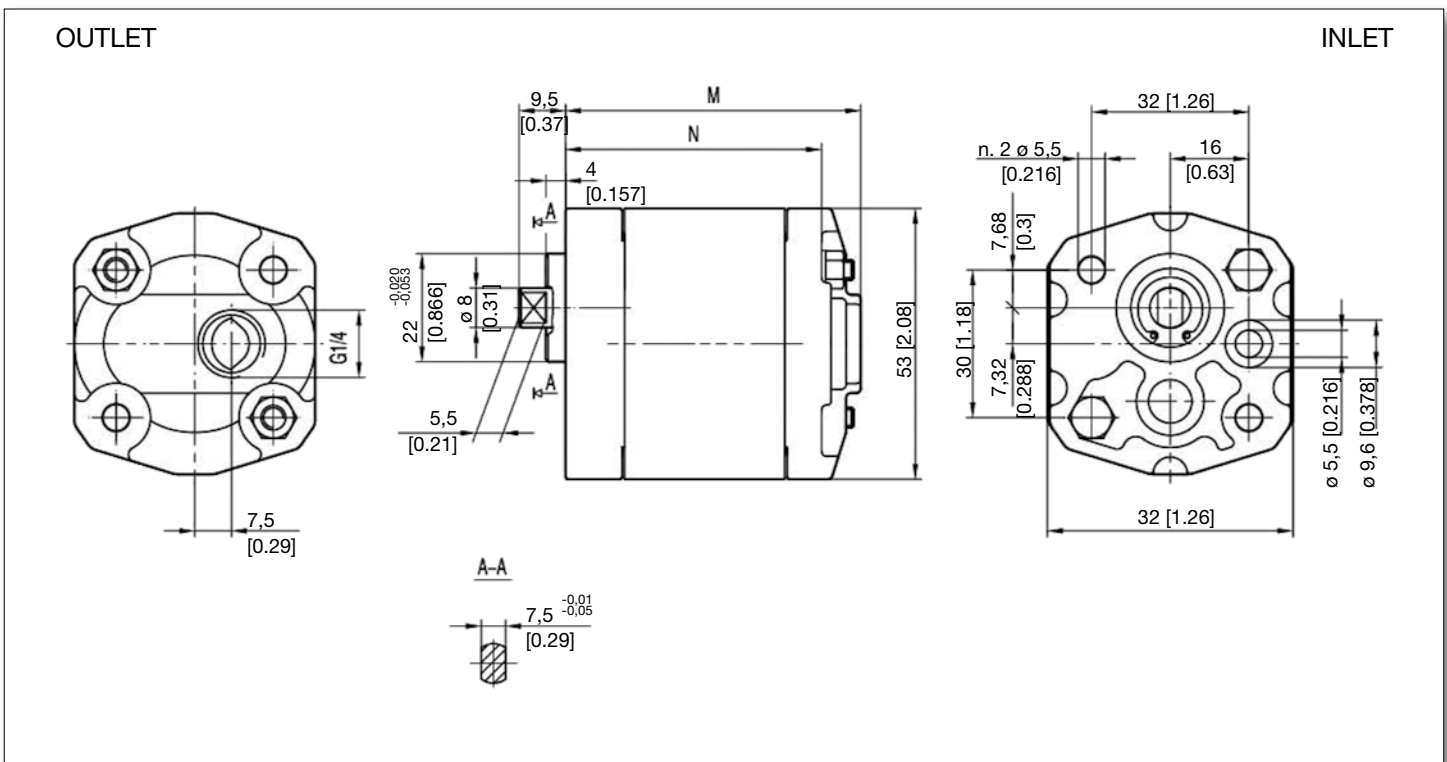
$Q = V \cdot n \cdot \eta_v \cdot 10^{-3}$	L/min	GPM
$M = (\Delta P \cdot V) / (62.83 \cdot \eta_{hm})$	Nm	lb/inch
$P = (\Delta P \cdot Q) / (612 \cdot \eta_t)$	kW	HP

YBKPO.5

YBKPO.5B0



End cover: G1/4 Thread depth 12 [0.47 inch].
To mount the pump, n.2 M5 screws, with a torque wrench setting fixed at 5.4 ± 0.5 Nm [3.996 ± 0.37 lb/ft].



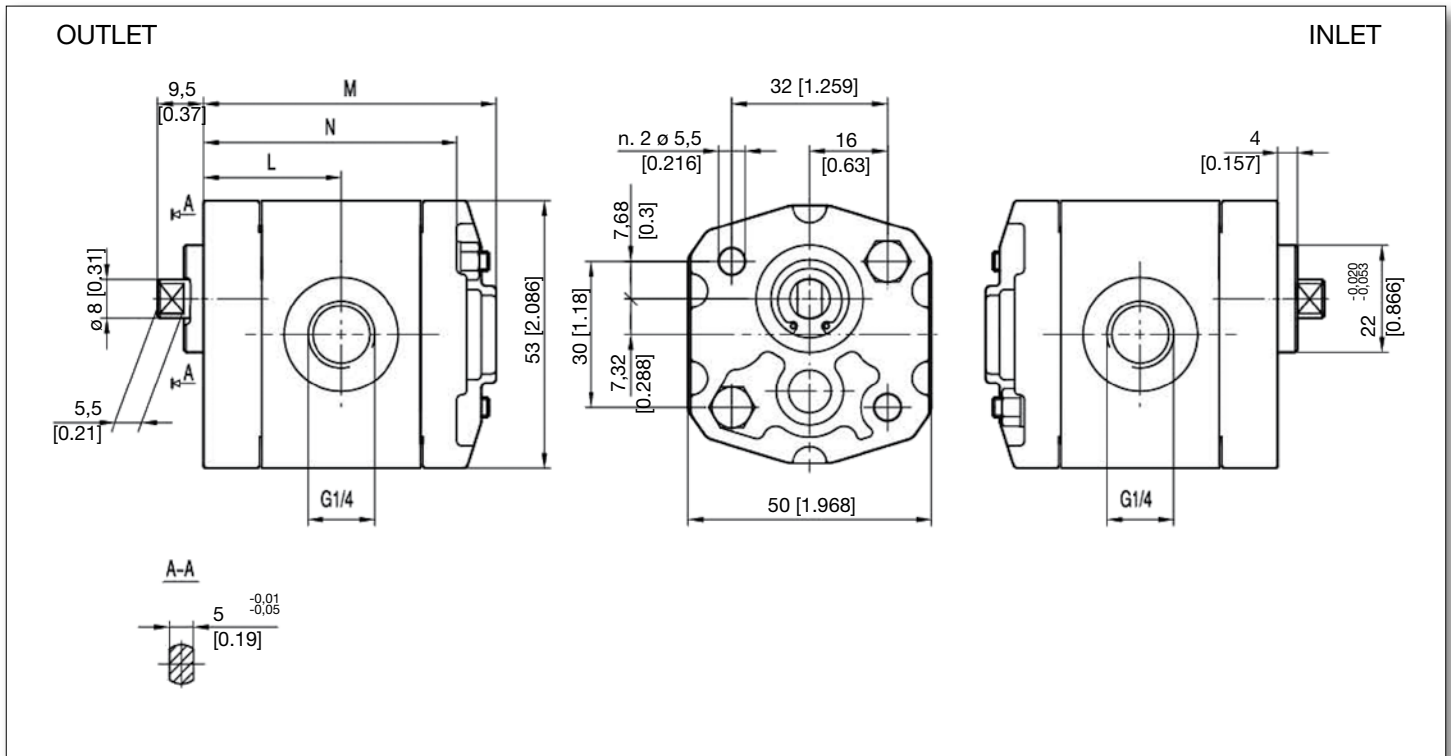
Type	Displacement		Max pressure						Max speed	Min speed	Dimension			
	cm ³ /rev	inc/	P1		P2		P3				M		N	
			bar	PSI	bar	PSI	bar	PSI	r/min	r/min	mm	inch	mm	inch
YBKPO.5B0-D-0.19	0.19	0.011	200	2900	230	3335	250	3625	7000	1000	60.0	2.36	51	2.00
YBKPO.5B0-D-0.26	0.26	0.0158	200	2900	230	3335	250	3625	7000	1000	60.5	2.38	51.5	2.02
YBKPO.5B0-D-0.38	0.38	0.023	200	2900	230	3335	250	3625	7000	1000	61.5	2.42	52.5	2.06
YBKPO.5B0-D-0.50	0.50	0.030	200	2900	230	3335	250	3625	7000	1000	62.5	2.46	53.5	2.10
YBKPO.5B0-D-0.65	0.65	0.039	200	2900	230	3335	250	3625	7000	1000	63.5	2.50	54.5	2.14
YBKPO.5B0-D-0.75	0.75	0.045	200	2900	230	3335	250	3625	7000	1000	64.5	2.53	55.5	2.18
YBKPO.5B0-D-0.88	0.88	0.053	200	2900	230	3335	250	3625	7000	1000	65.5	2.57	56.5	2.22
YBKPO.5B0-D-1.00	1.00	0.061	200	2900	230	3335	250	3625	6000	850	66.5	2.61	57.5	2.26
YBKPO.5B0-D-1.25	1.25	0.076	200	2900	230	3335	250	3625	5000	700	68.5	2.69	59.5	2.34
YBKPO.5B0-D-1.50	1.50	0.090	200	2900	230	3335	250	3625	4000	600	70.5	2.77	61.5	2.42
YBKPO.5B0-D-1.75	1.75	0.106	180	2610	210	3045	230	3335	4000	600	72.5	2.85	63.5	2.50
YBKPO.5B0-D-2.00	2.00	0.122	160	2320	190	2755	210	3045	3000	500	74.5	2.93	65.5	2.57

YBKPO.5B1



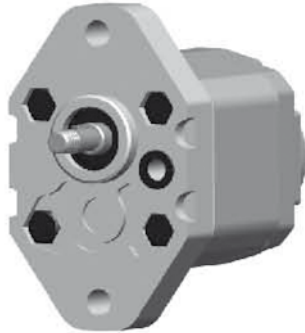
G1/4 Thread depth 9 [0.35 inch].

To mount the pump, n.2 M5 screws, with a torque wrench setting fixed at 5.4 ± 0.5 Nm [3.996 ± 0.37 lb/ft].



Type	Displacement		Max pressure						Max speed	Min speed	Dimension			
	cm ³ /rev	inc/	P1		P2		P3				M		N	
			bar	PSI	bar	PSI	bar	PSI	r/min	r/min	mm	inch	mm	inch
YBKPO.5B1-D-0.19	0.19	0.011	200	2900	230	3335	250	3625	7000	1000	60.0	2.36	51	2.00
YBKPO.5B1-D-0.26	0.26	0.0158	200	2900	230	3335	250	3625	7000	1000	60.5	2.38	51.5	2.02
YBKPO.5B1-D-0.38	0.38	0.023	200	2900	230	3335	250	3625	7000	1000	61.5	2.42	52.5	2.06
YBKPO.5B1-D-0.50	0.50	0.030	200	2900	230	3335	250	3625	7000	1000	62.5	2.46	53.5	2.10
YBKPO.5B1-D-0.65	0.65	0.039	200	2900	230	3335	250	3625	7000	1000	63.5	2.50	54.5	2.14
YBKPO.5B1-D-0.75	0.75	0.045	200	2900	230	3335	250	3625	7000	1000	64.5	2.53	55.5	2.18
YBKPO.5B1-D-0.88	0.88	0.053	200	2900	230	3335	250	3625	7000	1000	65.5	2.57	56.5	2.22
YBKPO.5B1-D-1.00	1.00	0.061	200	2900	230	3335	250	3625	6000	850	66.5	2.61	57.5	2.26
YBKPO.5B1-D-1.25	1.25	0.076	200	2900	230	3335	250	3625	5000	700	68.5	2.69	59.5	2.34
YBKPO.5B1-D-1.50	1.50	0.090	200	2900	230	3335	250	3625	4000	600	70.5	2.77	61.5	2.42
YBKPO.5B1-D-1.75	1.75	0.106	180	2610	210	3045	230	3335	4000	600	72.5	2.85	63.5	2.50
YBKPO.5B1-D-2.00	2.00	0.122	160	2320	190	2755	210	3045	3000	500	74.5	2.93	65.5	2.57

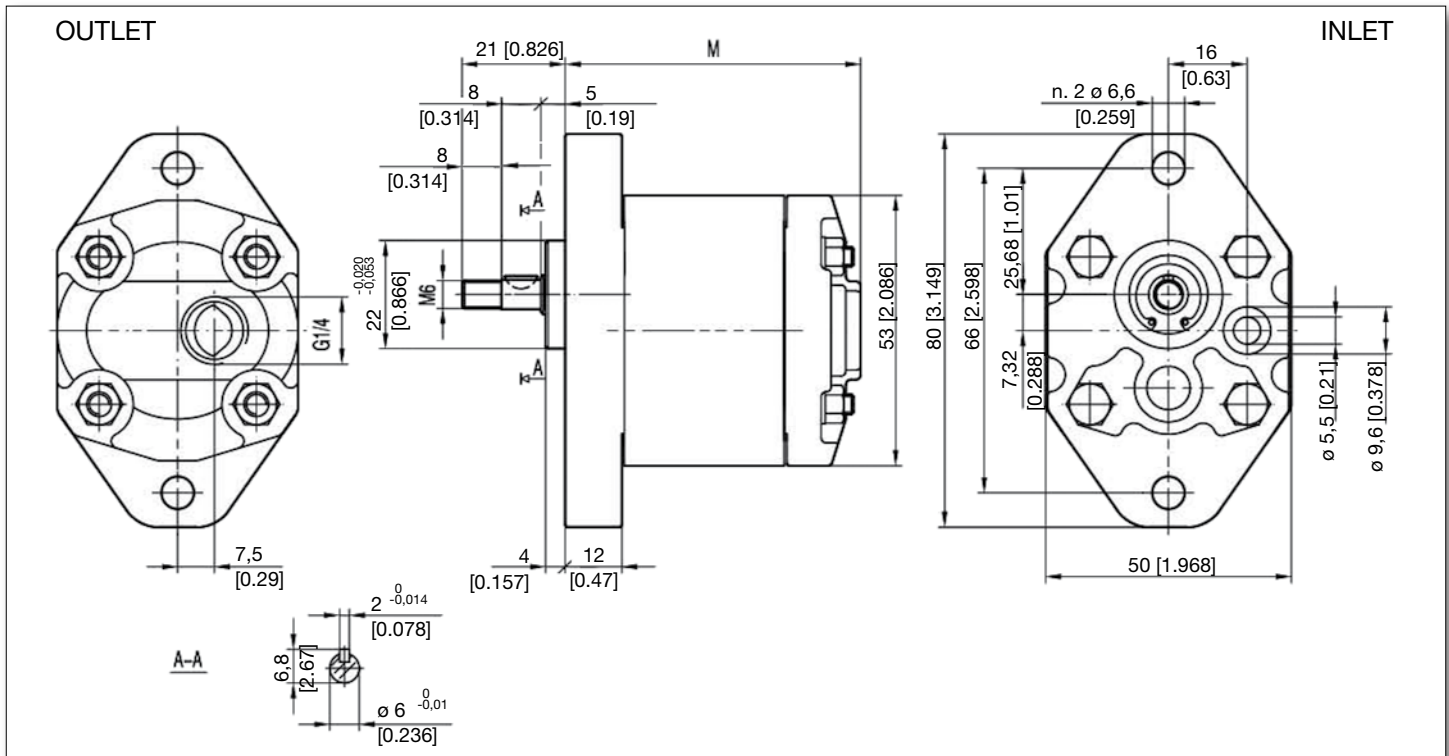
YBKPO.5A0



End cover: G1/4 Thread depth 12 [0.47].

To mount the pump, n.4 M5 screws, with a torque wrench setting fixed at 5.4 ± 0.5 Nm [3.996 ± 0.37 lb/ft].

Shaft M6 nut, with a torque wrench setting fixed at 7 Nm [5.18 lb/ft].



Type	Displacement		Max pressure						Max speed	Min speed	Dimension	
	cm ³ /rev	inc/	P1		P2		P3				M	
			bar	PSI	bar	PSI	bar	PSI	r/min	r/min	mm	inch
YBKPO.5A0-D-0.19	0.19	0.011	200	2900	230	3335	250	3625	7000	1000	60.0	2.36
YBKPO.5A0-D-0.26	0.26	0.0158	200	2900	230	3335	250	3625	7000	1000	60.5	2.38
YBKPO.5A0-D-0.38	0.38	0.023	200	2900	230	3335	250	3625	7000	1000	61.5	2.42
YBKPO.5A0-D-0.50	0.50	0.030	200	2900	230	3335	250	3625	7000	1000	62.5	2.46
YBKPO.5A0-D-0.65	0.65	0.039	200	2900	230	3335	250	3625	7000	1000	63.5	2.50
YBKPO.5A0-D-0.75	0.75	0.045	200	2900	230	3335	250	3625	7000	1000	64.5	2.53
YBKPO.5A0-D-0.88	0.88	0.053	200	2900	230	3335	250	3625	7000	1000	65.5	2.57
YBKPO.5A0-D-1.00	1.00	0.061	200	2900	230	3335	250	3625	6000	850	66.5	2.61
YBKPO.5A0-D-1.25	1.25	0.076	200	2900	230	3335	250	3625	5000	700	68.5	2.69
YBKPO.5A0-D-1.50	1.50	0.090	200	2900	230	3335	250	3625	4000	600	70.5	2.77
YBKPO.5A0-D-1.75	1.75	0.106	180	2610	210	3045	230	3335	4000	600	72.5	2.85
YBKPO.5A0-D-2.00	2.00	0.122	160	2320	190	2755	210	3045	3000	500	74.5	2.93

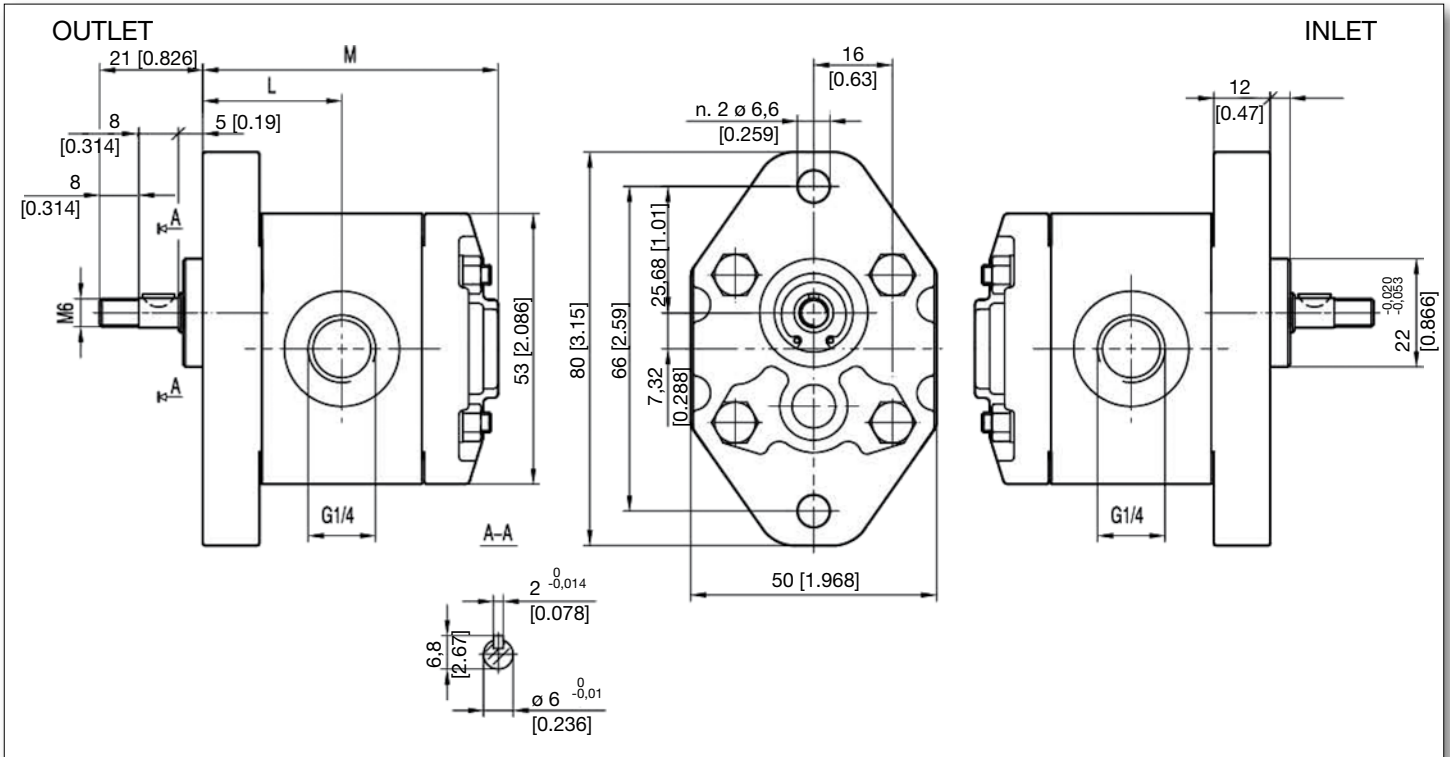
YBKP0.5A1



End cover: G1/4 Thread depth 9 [0.35].

To mount the pump, n.4 M5 screws, with a torque wrench setting fixed at 5.4 ± 0.5 Nm [3.996 ± 0.37 lb/ft].

Shaft M6 nut, with a torque wrench setting fixed at 7 Nm [5.18 lb/ft].

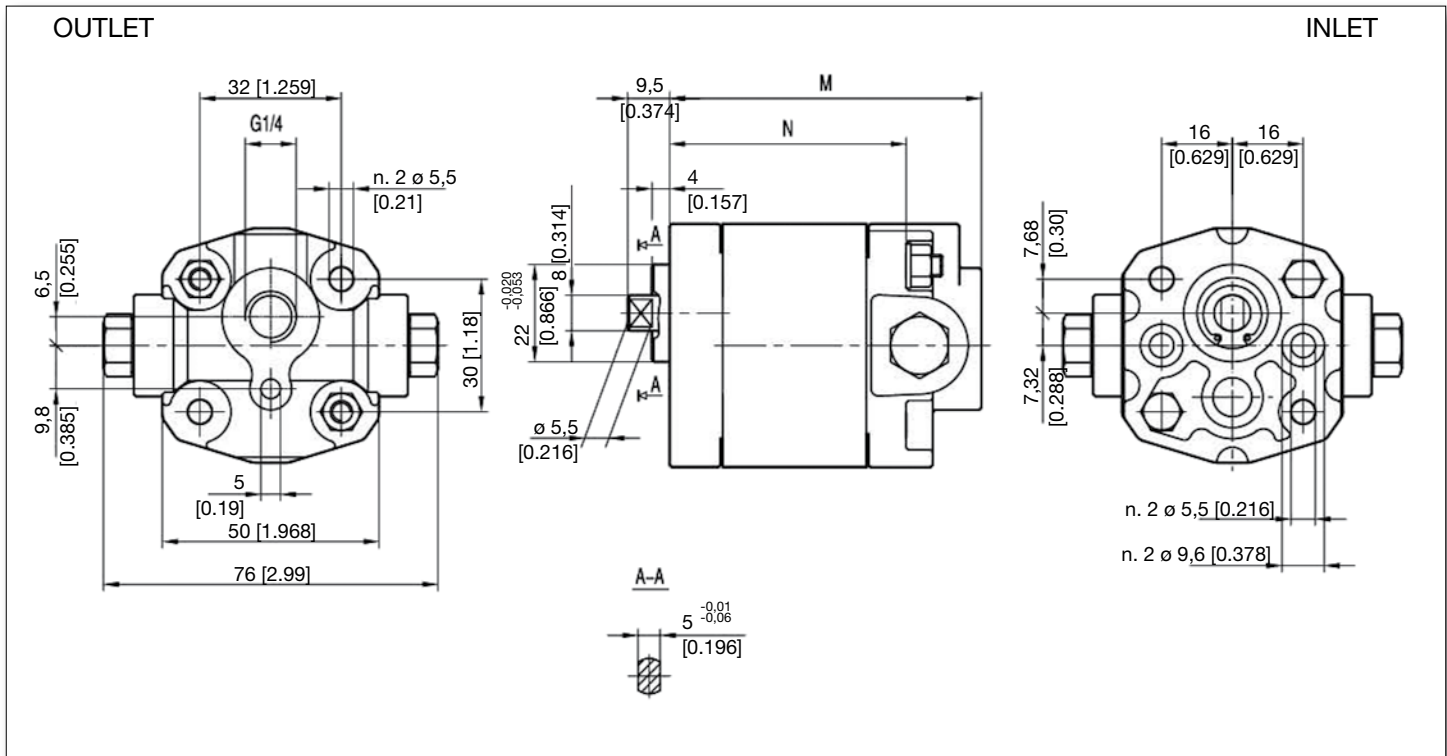


Type	Displacement		Max pressure						Max speed r/min	Min speed r/min	Dimension			
	cm ³ /rev	inc/	P1		P2		P3				M		N	
			bar	PSI	bar	PSI	bar	PSI			mm	inch	mm	inch
YBKP0.5A1-D-0.19	0.19	0.011	200	2900	230	3335	250	3625	7000	1000	60.0	2.36	27.2	2.00
YBKP0.5A1-D-0.26	0.26	0.0158	200	2900	230	3335	250	3625	7000	1000	60.5	2.38	27.5	2.02
YBKP0.5A1-D-0.38	0.38	0.023	200	2900	230	3335	250	3625	7000	1000	61.5	2.42	28.0	2.06
YBKP0.5A1-D-0.50	0.50	0.030	200	2900	230	3335	250	3625	7000	1000	62.5	2.46	28.5	2.10
YBKP0.5A1-D-0.65	0.65	0.039	200	2900	230	3335	250	3625	7000	1000	63.5	2.50	29.0	2.14
YBKP0.5A1-D-0.75	0.75	0.045	200	2900	230	3335	250	3625	7000	1000	64.5	2.53	29.5	2.18
YBKP0.5A1-D-0.88	0.88	0.053	200	2900	230	3335	250	3625	7000	1000	65.5	2.57	30.0	2.22
YBKP0.5A1-D-1.00	1.00	0.061	200	2900	230	3335	250	3625	6000	850	66.5	2.61	30.5	2.26
YBKP0.5A1-D-1.25	1.25	0.076	200	2900	230	3335	250	3625	5000	700	68.5	2.69	31.5	2.34
YBKP0.5A1-D-1.50	1.50	0.090	200	2900	230	3335	250	3625	4000	600	70.5	2.77	32.5	2.42
YBKP0.5A1-D-1.75	1.75	0.106	180	2610	210	3045	230	3335	4000	600	72.5	2.85	33.5	2.50
YBKP0.5A1-D-2.00	2.00	0.122	160	2320	190	2755	210	3045	3000	500	74.5	2.93	34.5	2.57

YBKPO.5B2R-VQ1



End cover: G1/4 Thread depth 9 [0.35].
To mount the pump, n.2 M5 screws, with a torque wrench setting fixed at 5.4 ± 0.5 Nm [3.996 \pm 0.37 lb/ft].

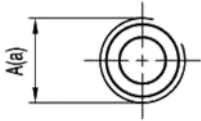


Type	Displacement		Max pressure						Max speed	Min speed	Dimension			
	cm ³ /rev	inc/	P1		P2		P3				M		N	
			bar	PSI	bar	PSI	bar	PSI	r/min	r/min	mm	inch	mm	inch
YBKPO.5B2-R-D-0.19-VQ1	0.19	0.011	200	2900	230	3335	250	3625	7000	1000	68.0	2.68	51.0	2.00
YBKPO.5B2-R-D-0.26-VQ1	0.26	0.0158	200	2900	230	3335	250	3625	7000	1000	68.5	2.69	51.5	2.02
YBKPO.5B2-R-D-0.38-VQ1	0.38	0.023	200	2900	230	3335	250	3625	7000	1000	69.5	2.73	52.5	2.06
YBKPO.5B2-R-D-0.50-VQ1	0.50	0.030	200	2900	230	3335	250	3625	7000	1000	70.5	2.77	53.5	2.10
YBKPO.5B2-R-D-0.65-VQ1	0.65	0.039	200	2900	230	3335	250	3625	7000	1000	71.5	2.81	54.5	2.14
YBKPO.5B2-R-D-0.75-VQ1	0.75	0.045	200	2900	230	3335	250	3625	7000	1000	72.5	2.85	55.5	2.18
YBKPO.5B2-R-D-0.88-VQ1	0.88	0.053	200	2900	230	3335	250	3625	7000	1000	73.5	2.89	56.5	2.22
YBKPO.5B2-R-D-1.00-VQ1	1.00	0.061	200	2900	230	3335	250	3625	6000	850	74.5	2.93	57.5	2.26
YBKPO.5B2-R-D-1.25-VQ1	1.25	0.076	200	2900	230	3335	250	3625	5000	700	76.5	3.01	59.5	2.34
YBKPO.5B2-R-D-1.50-VQ1	1.50	0.090	200	2900	230	3335	250	3625	4000	600	78.5	3.09	61.5	2.42
YBKPO.5B2-R-D-1.75-VQ1	1.75	0.106	180	2610	210	3045	230	3335	4000	600	80.5	3.16	63.5	2.50
YBKPO.5B2-R-D-2.00-VQ1	2.00	0.122	160	2320	190	2755	210	3045	3000	500	82.5	3.24	65.5	2.57

YBKP0.5

PORTS

ZO



Type	INLET	OUTLET
	a	b
YBKP0.5...0.19 ÷ YBKP0.5...2.00	M 10x1	M 10x1

LO



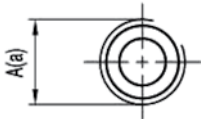
Type	INLET	OUTLET
	a	b
YBKP0.5...0.19 ÷ YBKP0.5...2.00	G 1/4	ø 5.5

L1



Type	INLET	OUTLET
	a	b
YBKP0.5...0.19 ÷ YBKP0.5...2.00	G 3/8	ø 5.5

L2



Type	INLET	OUTLET
	a	b
YBKP0.5...0.19 ÷ YBKP0.5...2.00	G 1/4	G 1/4

YBKPO.5

HOW TO ORDER

YBK	P	0.5	Front Cover	Rotation	Size	Shaft	Ports	Port position	Seals	Options
Series	Pump	Group	A0	D	0.19					
				Clockwise	0.26					
				S	0.38					
				Courter Clockwise	0.50					
					0.65					
				R	0.75					
				Reversible	0.88					
					1.00					
					1.25					
					1.50					
					1.75					
					2.00					

OPTIONS

V Directional valves

DRAIN

Q0 Internal Drain
Q1 External Drain ø 5
Q2 External Drain G1/8

PORTS POSITION

Omit Side Inlet and side outlet
A Front inlet and front outlet
B Back inlet and front outlet
C Back inlet and side outlet
D Side inlet and front outlet
R Back inlet and back outlet

SEALS

Omit Range between -10°C and +80°C inlet pressure up to max. 3 bar absolute.
V Version suitable for fluid at hi-temperatures, range between -10°C and +120°C
H Version suitable for fluid at low-temperature, range between -40°C and +80°C
T Version suitable for inlet pressure up to max 3 and 6 bar absolute.
N Version suitable for inlet pressure up to max 3 and 10 bar absolute.

EXAMPLE

YBKPO.5-BO-D-0.19-GO-LO-B

clockwise rotation, 0.19 cc/rev, BO front cover, GO tang shaft, setting, ports LO type, back inlet and front outlet (B), standard seals

YBKP1

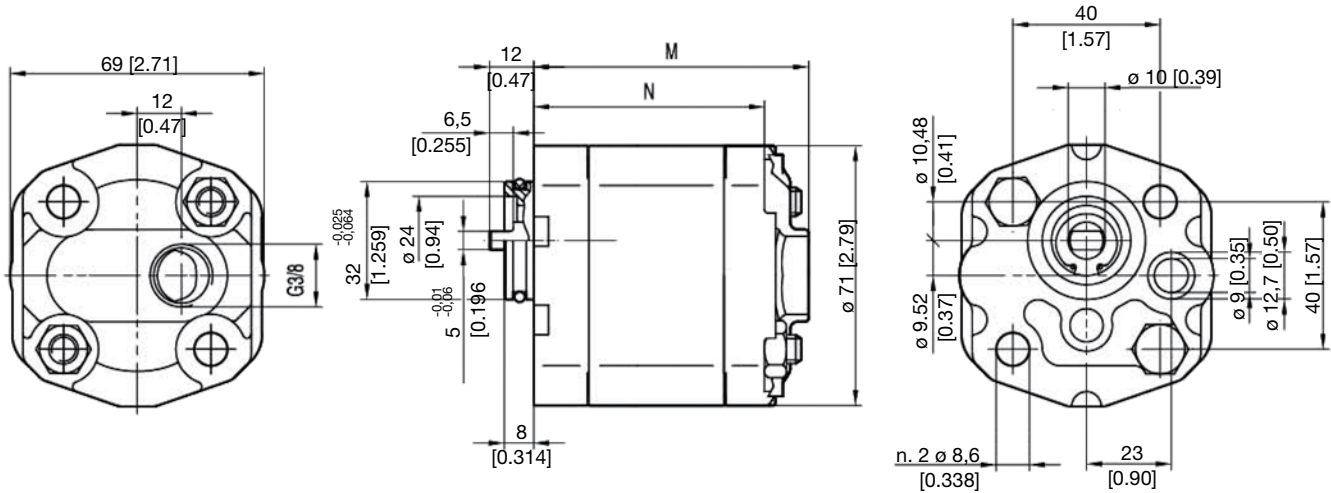
YBKP1Q0



End cover: G3/8 Thread depth 9 [0.35]
 To mount the pump, n.2 M8 screws, with a torque wrench setting fixed at 27 ±3 Nm [19.98 ±2.22 lb/ft].

OUTLET

INLET



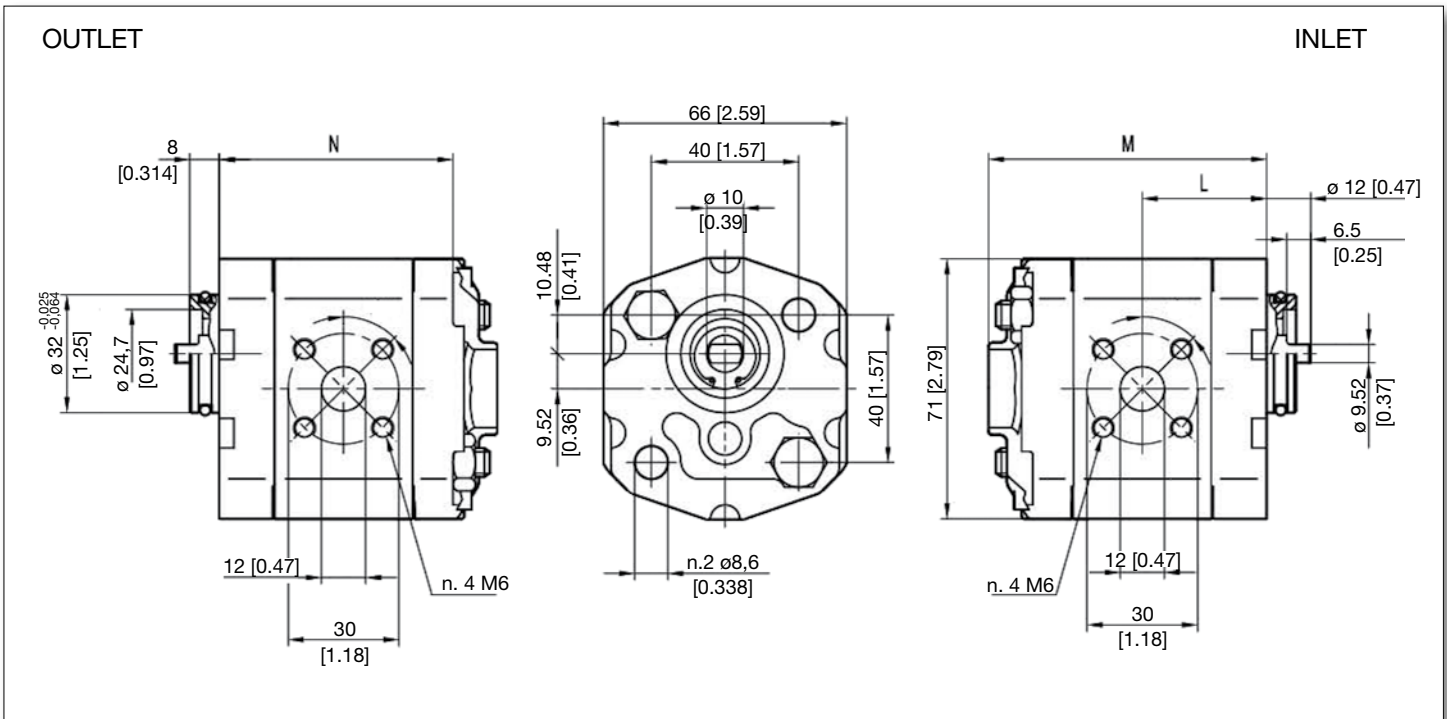
Type	Displacement		Max pressure						Max speed	Min speed	Dimension			
	cm ³ /rev	inc/	P1		P2		P3				M		N	
			bar	PSI	bar	PSI	bar	PSI	mm	inch	mm	inch		
YBKP1Q0-D-0.8	0.8	0.048	230	3335	250	3625	270	3915	6000	1000	73.5	2.89	61.5	2.42
YBKP1Q0-D-1.1	1.1	0.067	230	3335	250	3625	270	3915	6000	1000	74.0	2.91	62.0	2.44
YBKP1Q0-D-1.3	1.3	0.079	230	3335	250	3625	270	3915	6000	1000	75.0	2.95	63.0	2.48
YBKP1Q0-D-1.6	1.6	0.097	230	3335	250	3625	270	3915	6000	1000	76.0	2.99	64.0	2.51
YBKP1Q0-D-1.8	1.8	0.109	230	3335	250	3625	270	3915	6000	1000	77.0	3.03	65.0	2.55
YBKP1Q0-D-2.1	2.1	0.128	230	3335	250	3625	270	3915	6000	1000	78.0	3.07	66.0	2.59
YBKP1Q0-D-2.7	2.7	0.164	230	3335	250	3625	270	3915	6000	800	80.0	3.14	68.0	2.67
YBKP1Q0-D-3.2	3.2	0.195	210	3045	230	3335	250	3625	5000	800	82.2	3.23	70.0	2.75
YBKP1Q0-D-3.7	3.7	0.225	210	3045	230	3335	250	3625	4500	800	84.4	3.32	72.0	2.93
YBKP1Q0-D-4.2	4.2	0.256	210	3045	230	3335	250	3625	4000	800	86.0	3.38	74.0	2.91
YBKP1Q0-D-4.8	4.8	0.293	190	2755	210	3045	230	3335	3500	600	88.0	3.46	76.0	2.99
YBKP1Q0-D-5.8	5.8	0.354	190	2755	210	3045	230	3335	3000	600	92.0	3.62	80.0	3.14
YBKP1Q0-D-7.0	7.0	0.427	160	2320	180	2610	200	2900	2500	600	96.0	3.77	84.0	3.30
YBKP1Q0-D-8.0	8.0	0.488	160	2320	180	2610	200	2900	2100	600	100.0	3.93	88.0	3.46

YBKP1Q1



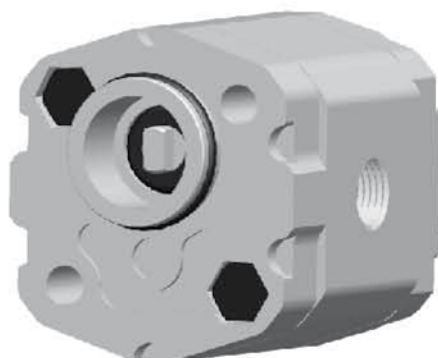
M6 thread depth 12 [0.47].

To mount the pump, n.2 M8 screws, with a torque wrench setting fixed at 27 ± 3 Nm [19.98 ± 2.22 lb/ft].



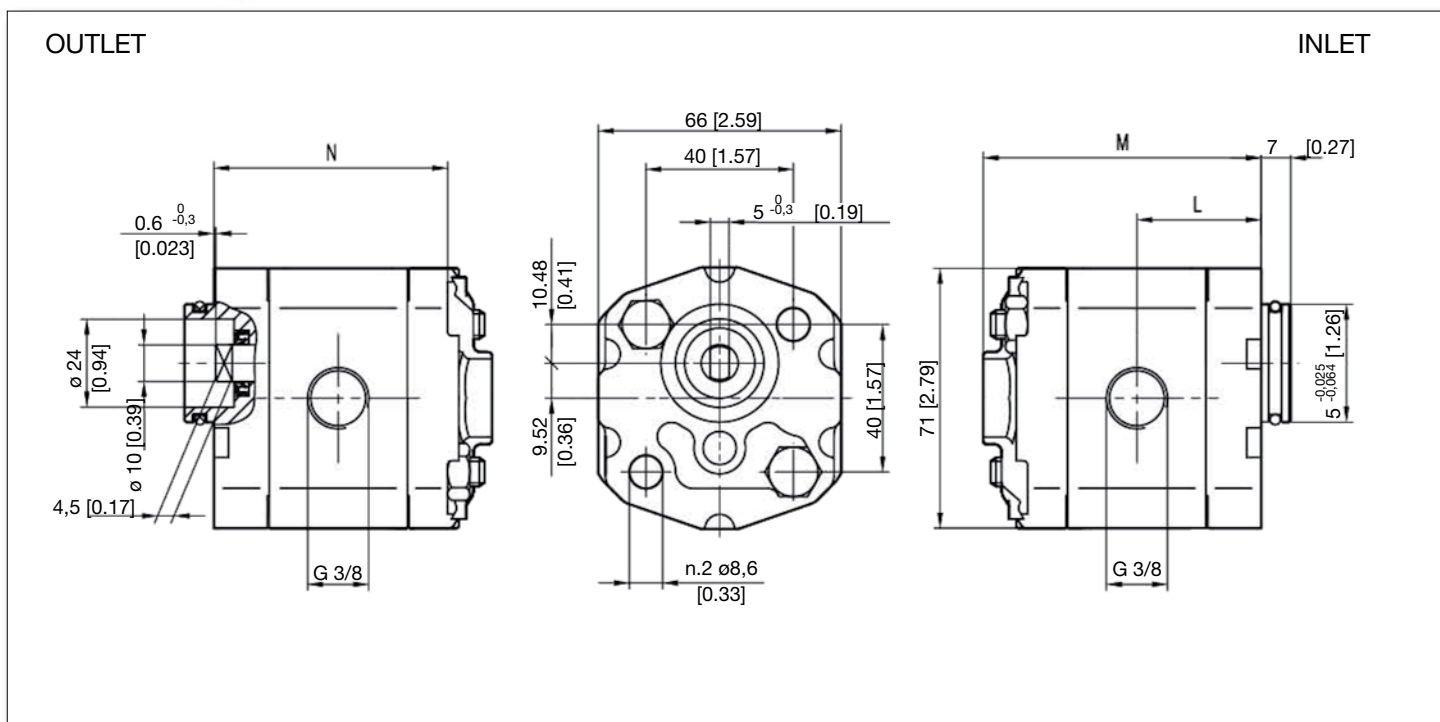
Type	Displacement		Max pressure						Max speed	Min speed	Dimension					
	cm ³ /rev	inc/	P1		P2		P3				M		N		L	
			bar	PSI	bar	PSI	bar	PSI	r/min	r/min	mm	inch	mm	inch	mm	inch
YBKP1Q1-D-0.8	0.8	0.048	230	3335	250	3625	270	3915	6000	1000	73.5	2.89	61.5	2.42	32.8	1.29
YBKP1Q1-D-1.1	1.1	0.067	230	3335	250	3625	270	3915	6000	1000	74.0	2.91	62.0	2.44	33.0	1.30
YBKP1Q1-D-1.3	1.3	0.079	230	3335	250	3625	270	3915	6000	1000	75.0	2.95	63.0	2.48	33.5	1.31
YBKP1Q1-D-1.6	1.6	0.097	230	3335	250	3625	270	3915	6000	1000	76.0	2.99	64.0	2.51	34.0	1.33
YBKP1Q1-D-1.8	1.8	0.109	230	3335	250	3625	270	3915	6000	1000	77.0	3.03	65.0	2.55	34.5	1.35
YBKP1Q1-D-2.1	2.1	0.128	230	3335	250	3625	270	3915	6000	1000	78.0	3.07	66.0	2.59	35.0	1.37
YBKP1Q1-D-2.7	2.7	0.164	230	3335	250	3625	270	3915	6000	800	80.0	3.14	68.0	2.67	36.0	1.41
YBKP1Q1-D-3.2	3.2	0.195	210	3045	230	3335	250	3625	5000	800	82.2	3.23	70.0	2.75	37.0	1.45
YBKP1Q1-D-3.7	3.7	0.225	210	3045	230	3335	250	3625	4500	800	84.4	3.32	72.0	2.93	38.0	1.49
YBKP1Q1-D-4.2	4.2	0.256	210	3045	230	3335	250	3625	4000	800	86.0	3.38	74.0	2.91	39.0	1.53
YBKP1Q1-D-4.8	4.8	0.293	190	2755	210	3045	230	3335	3500	600	88.0	3.46	76.0	2.99	40.0	1.57
YBKP1Q1-D-5.8	5.8	0.354	190	2755	210	3045	230	3335	3000	600	92.0	3.62	80.0	3.14	42.0	1.65
YBKP1Q1-D-7.0	7.0	0.427	160	2320	180	2610	200	2900	2500	600	96.0	3.77	84.0	3.30	44.0	1.73
YBKP1Q1-D-8.0	8.0	0.488	160	2320	180	2610	200	2900	2100	600	100.0	3.93	88.0	3.46	46.0	1.81

YBKP1Q2



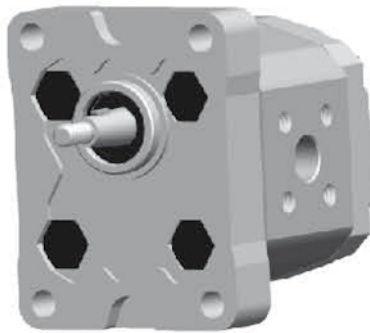
G 3/8 thread depth 12 [0.47].

To mount the pump, n.2 M8 screws, with a torque wrench setting fixed at 27 ±3 Nm [19.98 ±2.22 lb/ft].



Type	Displacement		Max pressure						Max speed	Min speed	Dimension					
	cm ³ /rev	inc/	P1		P2		P3				M		N		L	
			bar	PSI	bar	PSI	bar	PSI	r/min	r/min	mm	inch	mm	inch	mm	inch
YBKP1Q2-D-0.8	0.8	0.048	230	3335	250	3625	270	3915	6000	1000	73.5	2.89	61.5	2.42	32.8	1.29
YBKP1Q2-D-1.1	1.1	0.067	230	3335	250	3625	270	3915	6000	1000	74.0	2.91	62.0	2.44	33.0	1.30
YBKP1Q2-D-1.3	1.3	0.079	230	3335	250	3625	270	3915	6000	1000	75.0	2.95	63.0	2.48	33.5	1.31
YBKP1Q2-D-1.6	1.6	0.097	230	3335	250	3625	270	3915	6000	1000	76.0	2.99	64.0	2.51	34.0	1.33
YBKP1Q2-D-1.8	1.8	0.109	230	3335	250	3625	270	3915	6000	1000	77.0	3.03	65.0	2.55	34.5	1.35
YBKP1Q2-D-2.1	2.1	0.128	230	3335	250	3625	270	3915	6000	1000	78.0	3.07	66.0	2.59	35.0	1.37
YBKP1Q2-D-2.7	2.7	0.164	230	3335	250	3625	270	3915	6000	800	80.0	3.14	68.0	2.67	36.0	1.41
YBKP1Q2-D-3.2	3.2	0.195	210	3045	230	3335	250	3625	5000	800	82.2	3.23	70.0	2.75	37.0	1.45
YBKP1Q2-D-3.7	3.7	0.225	210	3045	230	3335	250	3625	4500	800	84.4	3.32	72.0	2.93	38.0	1.49
YBKP1Q2-D-4.2	4.2	0.256	210	3045	230	3335	250	3625	4000	800	86.0	3.38	74.0	2.91	39.0	1.53
YBKP1Q2-D-4.8	4.8	0.293	190	2755	210	3045	230	3335	3500	600	88.0	3.46	76.0	2.99	40.0	1.57
YBKP1Q2-D-5.8	5.8	0.354	190	2755	210	3045	230	3335	3000	600	92.0	3.62	80.0	3.14	42.0	1.65
YBKP1Q2-D-7.0	7.0	0.427	160	2320	180	2610	200	2900	2500	600	96.0	3.77	84.0	3.30	44.0	1.73
YBKP1Q2-D-8.0	8.0	0.488	160	2320	180	2610	200	2900	2100	600	100.0	3.93	88.0	3.46	46.0	1.81

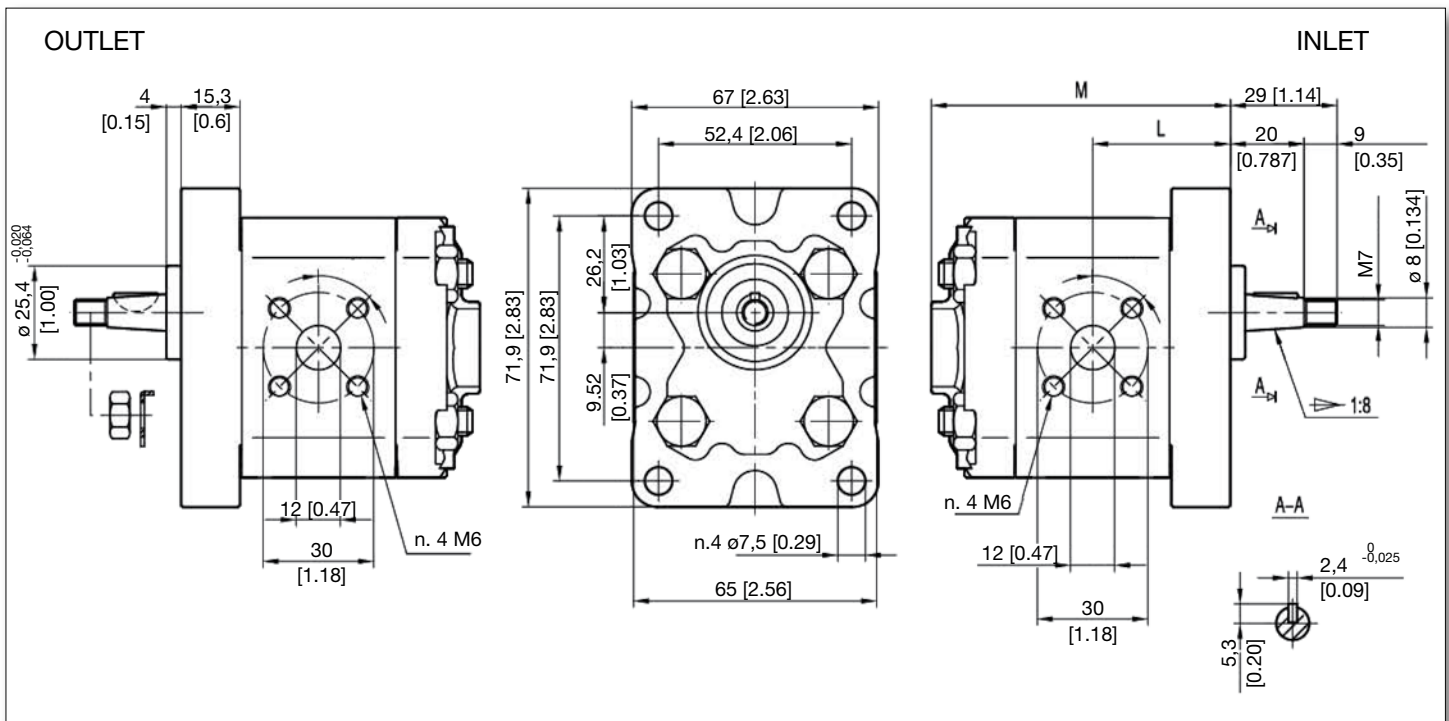
YBKP1B0



M6 thread depth 12 [0.47].

To mount the pump, n.4 M8 screws, with a torque wrench setting fixed at 27 ± 3 Nm [19.98 ± 2.22 lb/ft] .

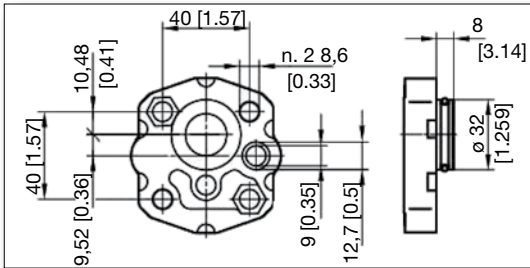
Shaft M7 nut, with a torque wrench setting fixed at 8 Nm [5.92 lb/ft].



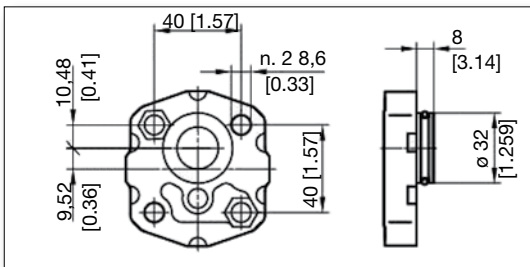
Type	Displacement		Max pressure						Max speed	Min speed	Dimension			
	cm ³ /rev	inc/	P1		P2		P3				M		L	
			bar	PSI	bar	PSI	bar	PSI	mm	inch	mm	inch		
YBKP1B0-D-0,8	0,8	0,05	230	3335	250	3625	270	3915	6000	1000	73.5	2.89	32.8	1.29
YBKP1B0-D-1.1	1,1	0,07	230	3335	250	3625	270	3915	6000	1000	74.0	2.91	33.0	1.299
YBKP1B0-D-1.3	1,3	0,08	230	3335	250	3625	270	3915	6000	1000	75.0	2.95	33.5	1.31
YBKP1B0-D-1.6	1,6	0,10	230	3335	250	3625	270	3915	6000	1000	76.0	2.99	34.0	1.33
YBKP1B0-D-1.8	1,8	0,11	230	3335	250	3625	270	3915	6000	1000	77.0	3.03	34.5	1.35
YBKP1B0-D-2.1	2,1	0,13	230	3335	250	3625	270	3915	6000	1000	78.0	3.07	35.0	1.37
YBKP1B0-D-2.7	2,7	0,16	230	3335	250	3625	270	3915	6000	800	80.0	3.14	36.0	1.41
YBKP1B0-D-3.2	3,2	0,20	210	3045	230	3335	250	3625	5000	800	82.2	3.23	37.0	1.45
YBKP1B0-D-3.7	3,7	0,23	210	3045	230	3335	250	3625	4500	800	84.4	3.32	38.0	1.49
YBKP1B0-D-4.2	4,2	0,26	210	3045	230	3335	250	3625	4000	800	86.0	3.38	39.0	1.53
YBKP1B0-D-4.8	4,8	0,29	190	2755	210	3045	230	3335	3500	600	88.0	3.46	40.0	1.57
YBKP1B0-D-5.8	5,8	0,35	190	2755	210	3045	230	3335	3000	600	92.0	3.62	42.0	1.65
YBKP1B0-D-7.0	7,0	0,43	160	2320	180	2610	200	2900	2500	600	96.0	3.77	44.0	1.73
YBKP1B0-D-8.0	8,0	0,49	160	2320	180	2610	200	2900	2100	600	100,0	3,93	46,0	1,81

YBKP1

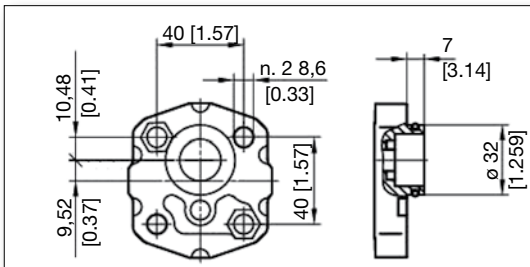
FRONT COVER



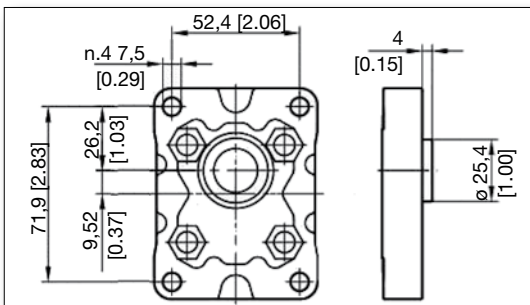
Q0



Q1

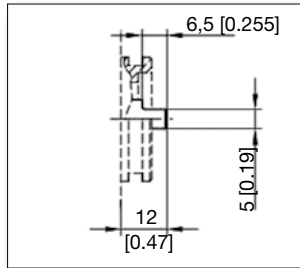


Q2



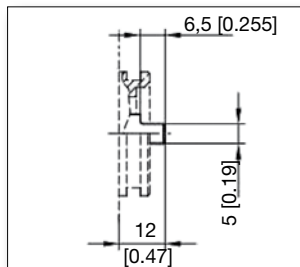
B0

SHAFTS



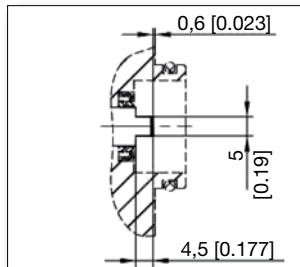
G0

Max Torque 20 Nm
[14.8 lb/ft]



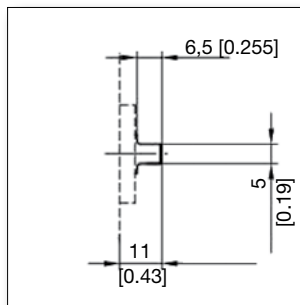
G0

Max Torque 20 Nm
[14.8 lb/ft]



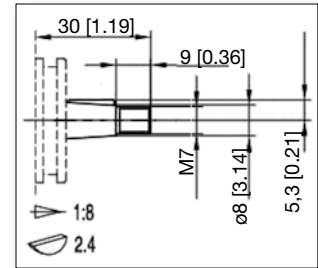
G1

Max Torque 20 Nm
[14.8 lb/ft]



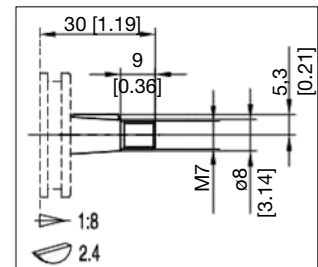
G0

Max Torque 20 Nm
[14.8 lb/ft]



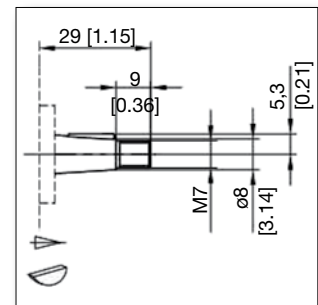
TO

Max Torque 25 Nm
[18.5 lb/ft]



TO

Max Torque 25 Nm
[18.5 lb/ft]

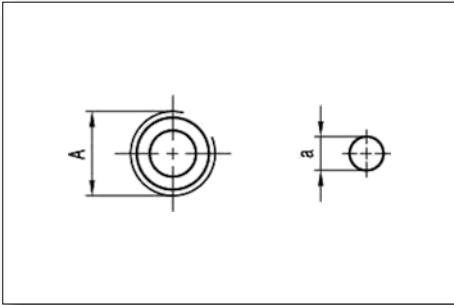


TO

Max Torque 25 Nm
[18.5 lb/ft]

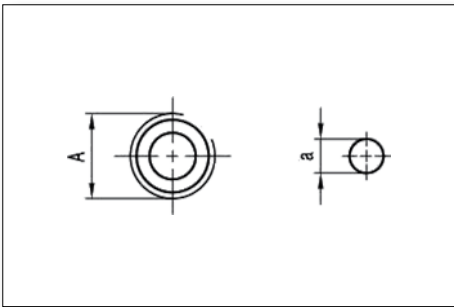
YBKP1

PORTS



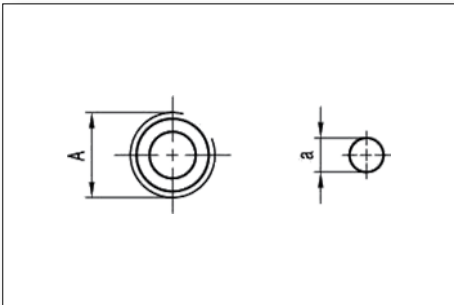
ZO

Type	INLET	OUTLET
	a	b
YBKP1...0.8 ÷ YBKP1...8.00	G 1/4	ø 9



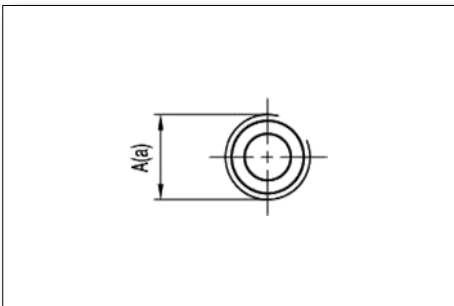
LO

Type	INLET	OUTLET
	a	b
YBKP1...0.8 ÷ YBKP1...8.00	G 3/8	ø 9



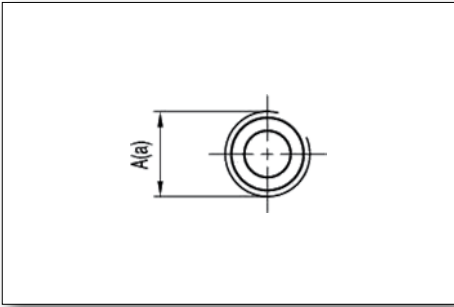
L1

Type	INLET	OUTLET
	a	b
YBKP1...0.8 ÷ YBKP1...8.00	3/8 NPT	ø 9



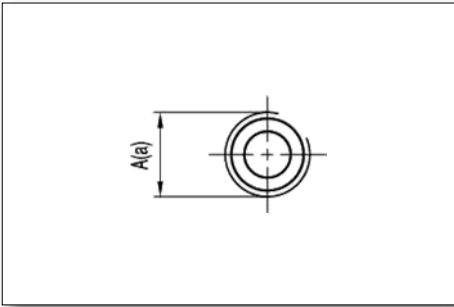
L2

Type	INLET	OUTLET
	a	b
YBKP1...0.8 ÷ YBKP1...8.00	G 3/8	G 1/4



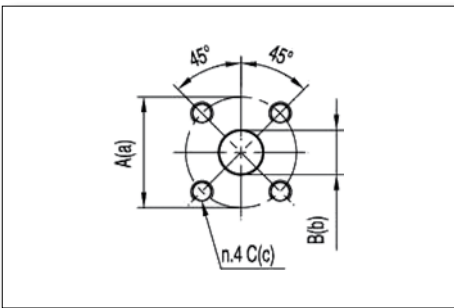
L3

Type	INLET	OUTLET
	a	b
YBKP1...0.8 ÷ YBKP1...8.00	G 3/8	G 3/8



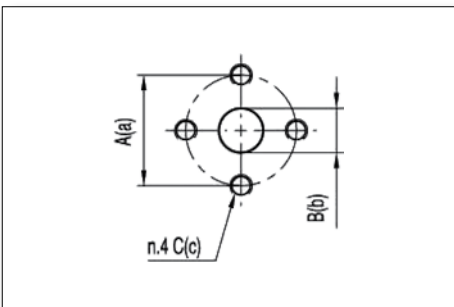
ZO

Type	INLET	OUTLET
	a	b
YBKP1...0.8 ÷ YBKP1...8.00	M 18X1.5	M 14X1.5



FO

Type		INLET			OUTLET		
		A	B	C	a	b	c
YBKP1...0.8 ÷ YBKP1...8.0	mm	30	12	M6	30	12	M6
	inch	1,18	0,47		1,18	0,47	



EO

Type		INLET			OUTLET		
		A	B	C	a	b	c
YBKP1...0.8 ÷ YBKP1...8.0	mm	30	12	M6	30	12	M6
	inch	1,18	0,47		1,18	0,47	

YBKP1

HOW TO ORDER

YBK	P	1	Front Cover	Rotation	Size	Shaft	Ports	Port position	Seals	Options
Series	Pump	Group	Q0	D	0.8					
			Q1	Clockwise	1.1					
			Q2	S	1.3					
			B0	Counter Clockwise	1.8					
				R	2.1					
				Reversible	2.7					
					3.2					
					3.7					
					4.2					
					4.8					
					5.8					
					7.0					
					8.0					

PORTS POSITION

Omit	Side Inlet and side outlet
A	Front inlet and front outlet
B	Back inlet and front outlet
C	Back inlet and side outlet
D	Side inlet and front outlet
R	Back inlet and back outlet

SEALS

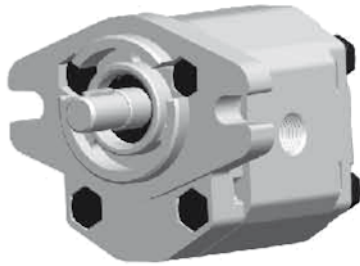
Omit	Range between -10°C and +80°C inlet pressure up to max. 3 bar absolute.
V	Version suitable for fluid at hi-temperatures, range between -10°C and +120°C
H	Version suitable for fluid at low-temperature, range between -40°C and +80°C
T	Version suitable for inlet pressure up to max 3 and 6 bar absolute.
N	Version suitable for inlet pressure up to max 3 and 10 bar absolute.

EXAMPLE

YBKP1-Q0-D-0.8-GO-L1-B

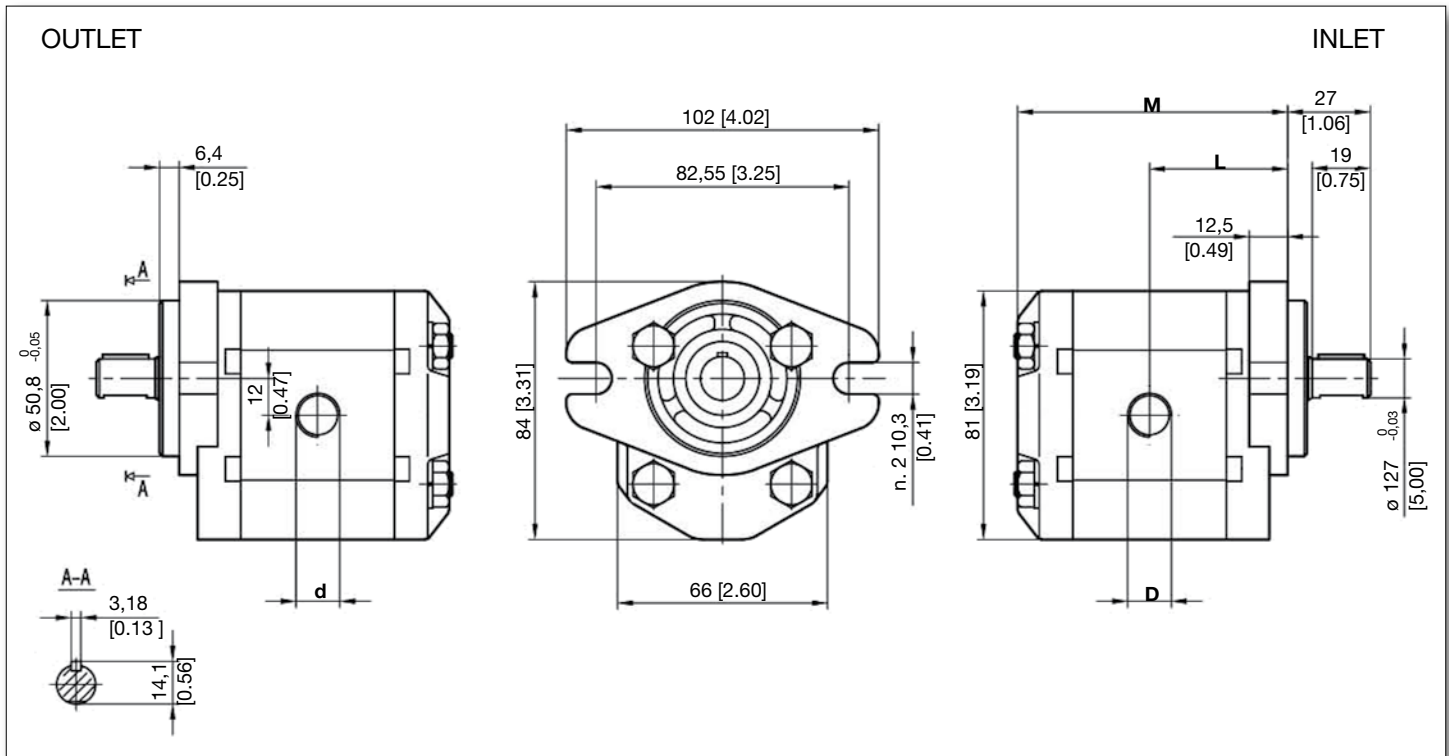
clockwise rotation, 0.8 cc/rev, Q0 front cover, GO tang shaft, setting ports L1 type, back inlet and front outlet (B), standard seals

YBAP1A0



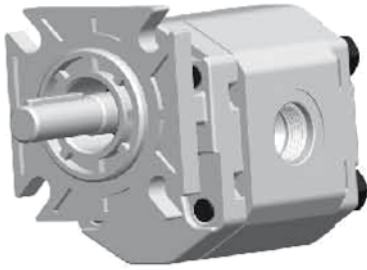
“D” and “d” ports are machine in compliance with threaded port with O-ring seal in truncated housing SAE J1926/1 (ISO J1926-1).

To mount the pump, n.4 M8 screws, with a torque wrench setting fixed at 27 ± 3 Nm [19.98 ± 2.22 lb/ft].



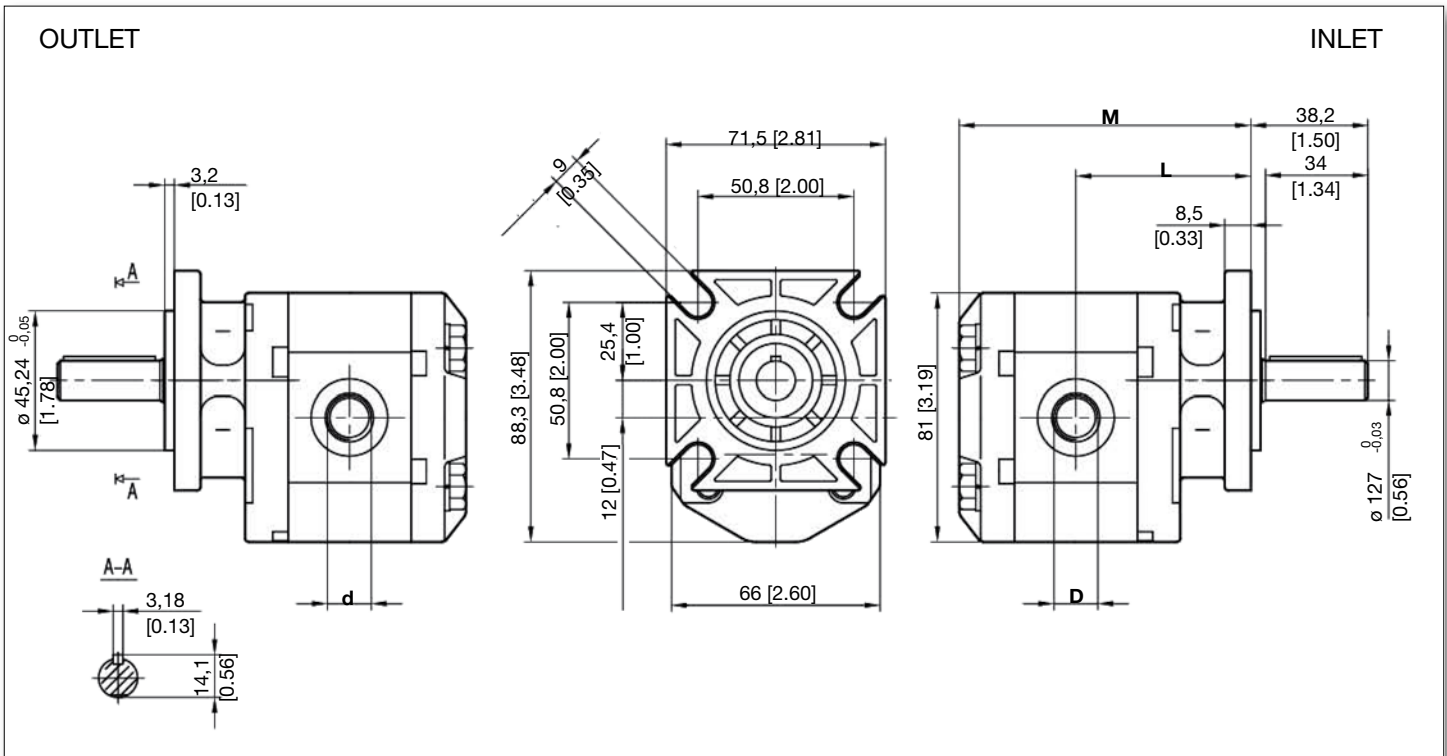
Type	Displacement		Max pressure						Max speed	Min speed	Dimension					
	cm ³ /rev	inc/	P1		P2		P3				M		L		D	d
			bar	PSI	bar	PSI	bar	PSI	r/min	r/min	mm	inch	mm	inch		
YBAP1A0-D-1.4	1.4	0.09	250	3625	270	3915	290	4205	6000	800	82.5	3.25	42.0	1.65	PT 1/2	PT 3/8
YBAP1A0-D-2.1	2,1	0.13	250	3625	270	3915	290	4205	6000	800	84,5	3.33	43,0	1.69	PT 1/2	PT 3/8
YBAP1A0-D-2.8	2,8	0.17	250	3625	270	3915	290	4205	5000	800	86,5	3.41	44,0	1.73	PT 1/2	PT 3/8
YBAP1A0-D-3.5	3,5	0.21	250	3625	270	3915	290	4205	5000	800	88,5	3.48	45,0	1.77	PT 1/2	PT 3/8
YBAP1A0-D-4.1	4,1	0.25	250	3625	270	3915	290	4205	4000	800	90,5	3.56	46,0	1.81	PT 1/2	PT 3/8
YBAP1A0-D-5.2	5,2	0.32	230	3335	245	3553	260	3770	4000	800	93,5	3.68	47,5	1.87	PT 1/2	PT 3/8
YBAP1A0-D-6.2	6,2	0.38	230	3335	245	3553	260	3770	3800	800	96,5	3.80	49,0	1.93	PT 1/2	PT 3/8
YBAP1A0-D-7.6	7,6	0.46	200	2900	215	3118	230	3335	3200	600	100,5	3.96	51,0	2.01	PT 3/4	PT 1/2
YBAP1A0-D-9.3	9,3	0.57	180	2610	195	2828	210	3045	2600	600	105,5	4.15	53,5	2.11	PT 3/4	PT 1/2
YBAP1A0-D-11.0	11	0.67	170	2465	185	2683	200	2900	2200	600	110,5	4.35	56,0	2.20	PT 3/4	PT 1/2
YBAP1A0-D-13.8	13,8	0.84	150	2175	165	2393	180	2610	1800	600	118,5	4.67	60,0	2.36	PT 3/4	PT 1/2

YBAP1Q0



“D” and “d” ports are machine in compliance with threaded port with O-ring seal in truncated housing SAE J1926/1 (ISO J1926-1).

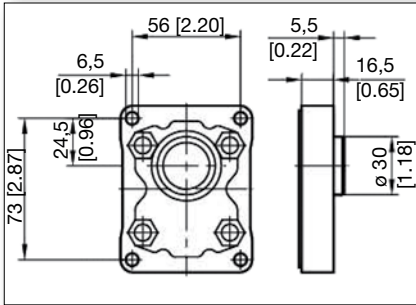
To mount the pump, n.4 M8 screws, with a torque wrench setting fixed at 27 ± 3 Nm [19.98 ± 2.22 lb/ft].



Type	Displacement		Max pressure						Max speed	Min speed	Dimension					
	cm ³ /rev	inc/	P1	P2	P3	P1	P2	P3			M	L	D	d		
YBAP1Q0-D-1.4	1.4	0.09	250	3625	270	3915	290	4205	6000	800	98,0	3.86	59,0	2.32	3/4-16UNF	9/16-18UNF
YBAP1Q0-D-2.1	2,1	0.13	250	3625	270	3915	290	4205	6000	800	100,0	3.94	60,0	2.36	3/4-16UNF	9/16-18UNF
YBAP1Q0-D-2.8	2,8	0.17	250	3625	270	3915	290	4205	5000	800	102,0	4.02	61,0	2.40	3/4-16UNF	9/16-18UNF
YBAP1Q0-D-3.5	3,5	0.21	250	3625	270	3915	290	4205	5000	800	104,0	4.09	62,0	2.44	3/4-16UNF	9/16-18UNF
YBAP1Q0-D-4.1	4,1	0.25	250	3625	270	3915	290	4205	4000	800	106,0	4.17	63,0	2.48	3/4-16UNF	9/16-18UNF
YBAP1Q0-D-5.2	5,2	0.32	230	3335	245	3553	260	3770	4000	800	109,0	4.29	64,5	2.54	3/4-16UNF	9/16-18UNF
YBAP1Q0-D-6.2	6,2	0.38	230	3335	245	3553	260	3770	3500	800	112,0	4.41	66,0	2.60	3/4-16UNF	9/16-18UNF
YBAP1Q0-D-7.6	7,6	0.46	200	2900	215	3118	230	3335	3000	600	116,0	4.57	68,0	2.68	7/8-14UNF	3/4-16UNF
YBAP1Q0-D-9.3	9,3	0.57	180	2610	195	2828	210	3045	2500	600	121,0	4.76	70,5	2.78	7/8-14UNF	3/4-16UNF
YBAP1Q0-D-11.0	11	0.67	170	2465	185	2683	200	2900	2500	600	126,0	4.96	73,0	2.87	7/8-14UNF	3/4-16UNF
YBAP1Q0-D-13.8	13,8	0.84	150	2175	165	2393	180	2610	2000	600	134,0	5.28	77,0	3.03	7/8-14UNF	3/4-16UNF

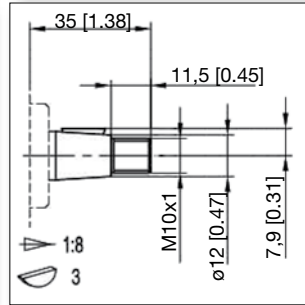
YBAP1

FRONT COVER



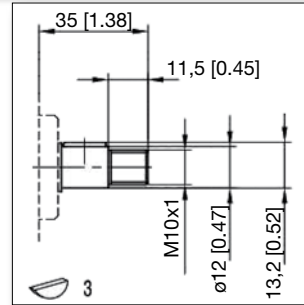
B0

SHAFTS



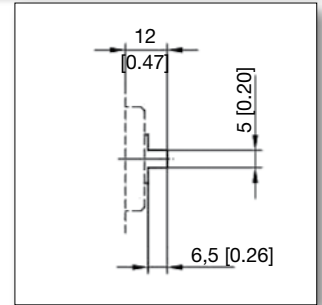
TO

Max Torque 100 Nm
[74 lb/ft]



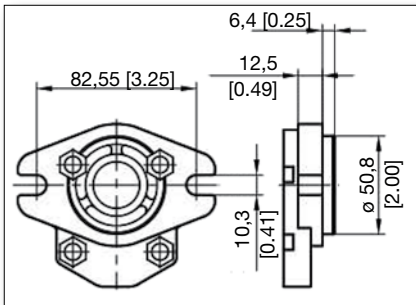
C1

Max Torque 55 Nm
[40.7 lb/ft]

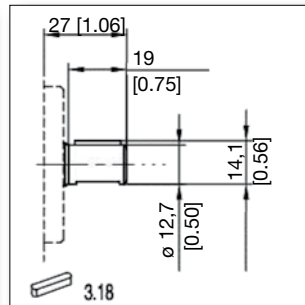


GO

Max Torque 45 Nm
[33.3 lb/ft]

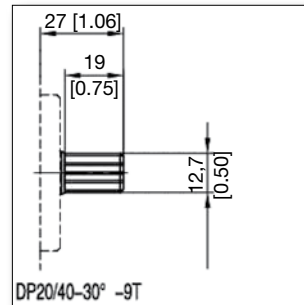


A0



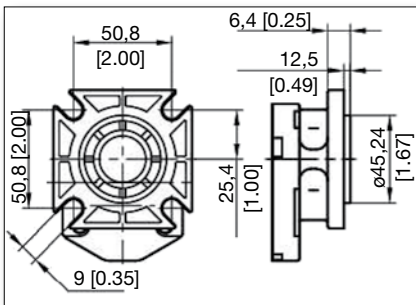
CO

Max Torque 60 Nm
[44.4 lb/ft]

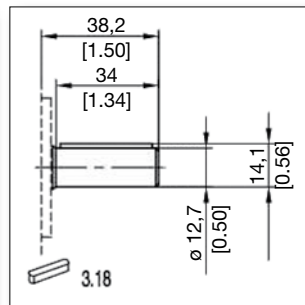


SO

Max Torque 100 Nm
[74 lb/ft]

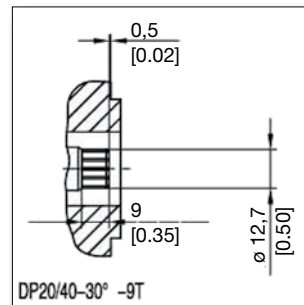


Q0



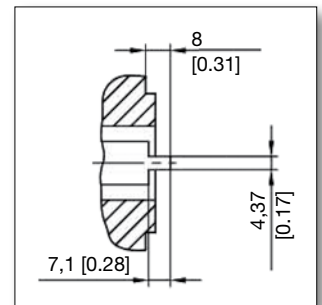
C2

Max Torque 100 Nm
[74 lb/ft]



S1

Max Torque 95 Nm
[70.3 lb/ft]

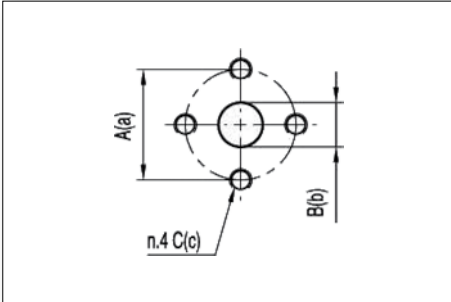


G1

Max Torque 45 Nm
[33.3 lb/ft]

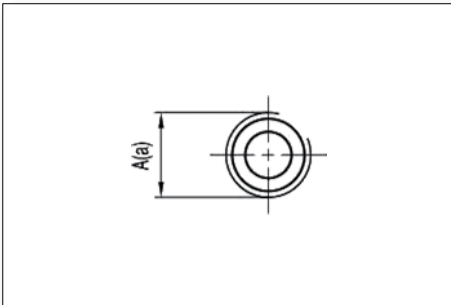
YBAP1

PORTS



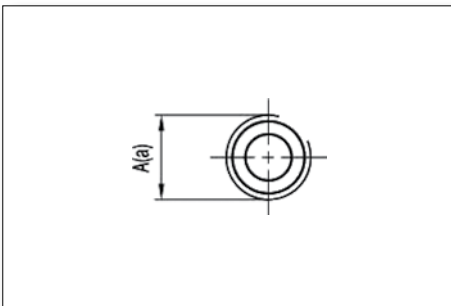
ZO

Type	INLET			OUTLET		
	A	B	C	a	b	c
YBAP1...1.4 ÷ YBAP1...13.8	30	12	M6	30	13	M6



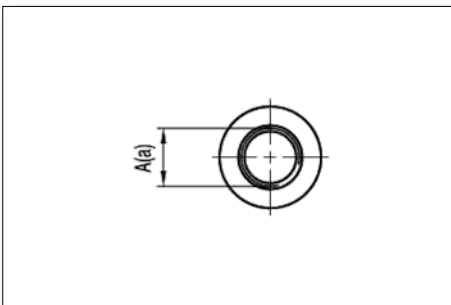
LO/L1

Type	PORTS CODE	INLET	OUTLET
		a	b
YBAP1...1.4 ÷ YBAP1...3.5	L0	G 1/2	G 3/8
YBAP1...4.1 ÷ YBAP1...13.8	L1	G 1/2	G 1/2



R0/R1/R2

Type	PORTS CODE	INLET	OUTLET
		a	b
YBAP1...1.4 ÷ YBAP1...6.2	R0	PT 1/2	PT 3/8
YBAP1...7.6 ÷ YBAP1...13.8	R1	PT 3/4	PT 1/2
YBAP1...1.4 ÷ YBAP1...13.8	R2	PT 1/2	PT 1/2



U0/U1

Type	PORTS CODE	INLET	OUTLET
		a	b
YBAP1...1.4 ÷ YBAP1...6.2	U0	3/4-16 UNF	9/16-18UNF
YBAP1...7.6 ÷ YBAP1...13.8	U1	7/8-14 UNF	3/4-16 UNF

YBAP1

HOW TO ORDER

YBA	P	1	Front Cover	Rotation	Size	Shaft	Ports	Port position	Seals	Options
Series	Pump	Group	B0	D	1.4					
			A0	Clockwise	2.1					
			Q0	S	2.8					
				Counter Clockwise	3.5					
				R	4.1					
				Reversible	5.2					
					6.2					
					7.6					
					9.3					
					11.0					
					13.8					

PORTS POSITION

Omit	Side Inlet and side outlet
A	Front inlet and front outlet
B	Back inlet and front outlet
C	Back inlet and side outlet
D	Side inlet and front outlet
R	Back inlet and back outlet

SEALS

Omit	Range between -10°C and +80°C inlet pressure up to max. 3 bar absolute.
V	Version suitable for fluid at hi-temperatures, range between -10°C and +120°C
H	Version suitable for fluid at low-temperature, range between -40°C and +80°C
T	Version suitable for inlet pressure up to max 3 and 6 bar absolute.
N	Version suitable for inlet pressure up to max 3 and 10 bar absolute.

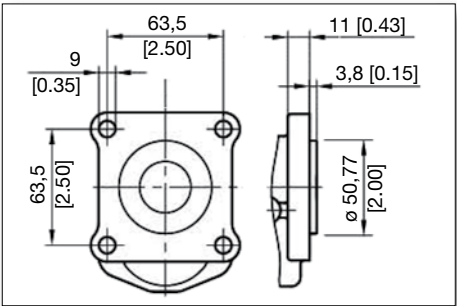
EXAMPLE

YBAP1-B0-D-1.4-TO-E0

clockwise rotation, 1.4 cc/rev, B0 front cover, 1:8 tapered shaft (T0), setting ports E0 type, standard seals

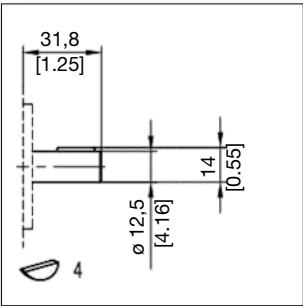
YBAP1.5QO

FRONT COVER



QO

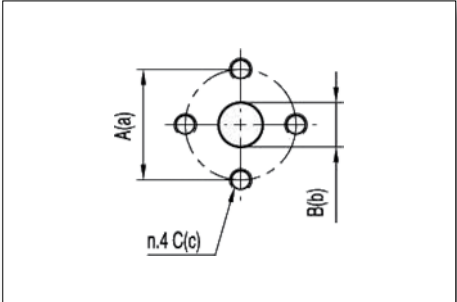
SHAFTS



CO

Max Torque 60 Nm
[44.4 lb/ft]

PORTS



EO

Type		INLET			OUTLET		
		A	B	C	a	b	c
YBAP1,5...2 ÷ YBAP1,5...12	mm	25.2	14.5	M6	25.2	14.5	M6
	inch						

YBAP1.5

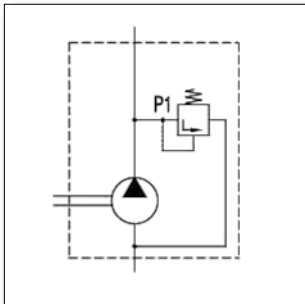
HOW TO ORDER

YBA	P	1.5	Front Cover	Rotation	Size	Shaft	Ports	Port position	Seals	Options
Series	Pump	Group	Q0	D	2					
				Clockwise	3					
				S	4					
				Counter Clockwise	5					
				6	6					
				R	8					
				Reversible	9					
					11					
					12					

SEALS

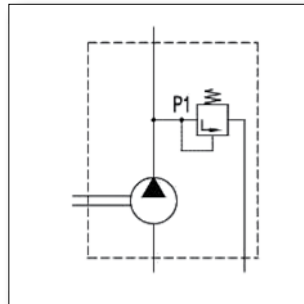
- Omit** Range between -10°C and +80°C inlet pressure up to max. 3 bar absolute.
- V** Version suitable for fluid at hi-temperatures, range between -10°C and +120°C
- H** Version suitable for fluid at low-temperature, range between -40°C and +80°C
- T** Version suitable for inlet pressure up to max 3 and 6 bar absolute.
- N** Version suitable for inlet pressure up to max 3 and 10 bar absolute.

OPTIONS



Pressure relief valve.
Discharge returned to suction.
P1=5...250 bar.
Ordering Code:

Y	180xx
----------	--------------



Pressure relief valve.
Discharge returned to externally.
P1=5...250 bar.
Ordering Code:

P	120xx
----------	--------------

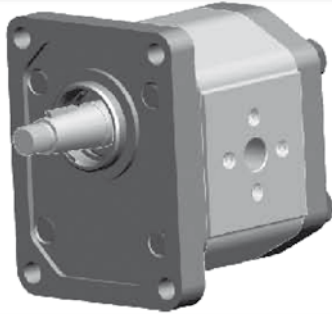
EXAMPLE

YBAP1.5-Q0-D-2-CO-E0

clockwise rotation, 2 cc/rev, Q0 front cover, C parallel shaft, setting ports E0 type, standard seals

YBAP2 [YBHP2]

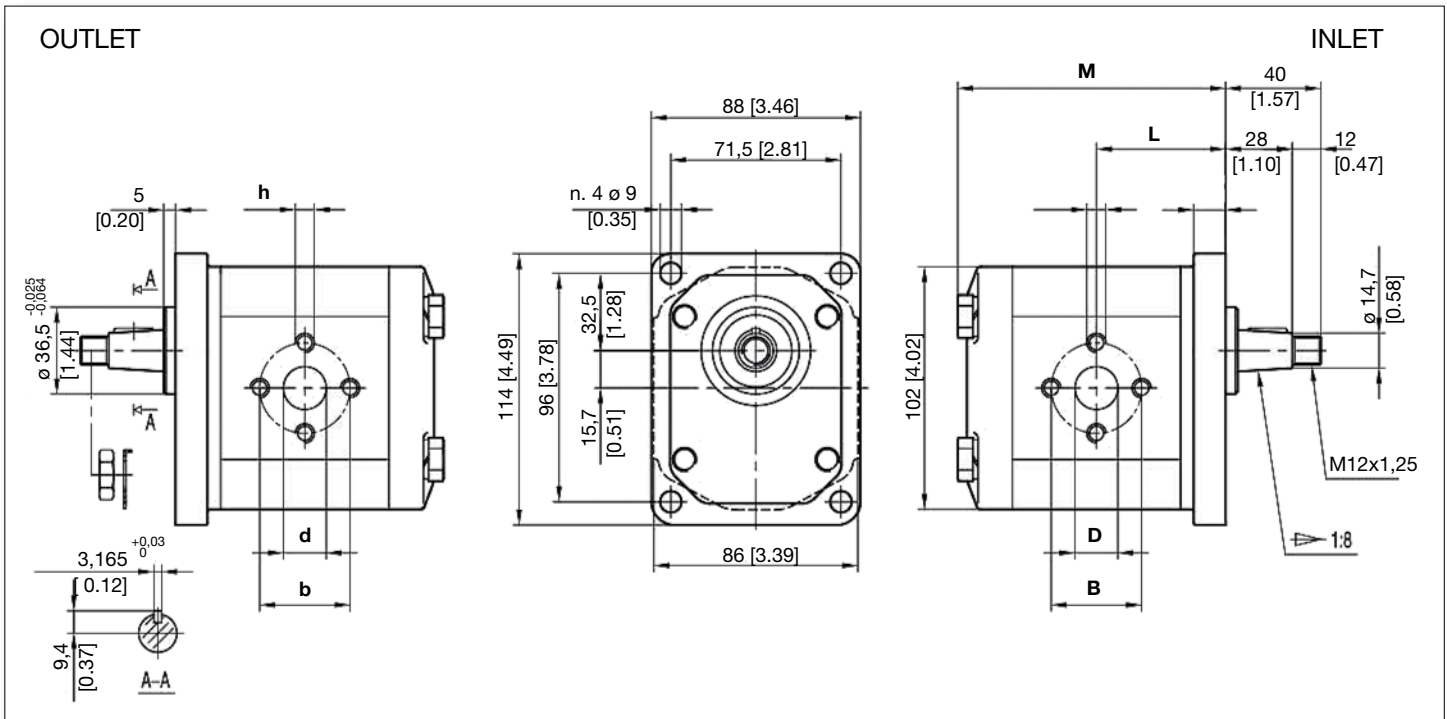
YBHP2B0



M6 thread depth 13, M8 thread depth 17.

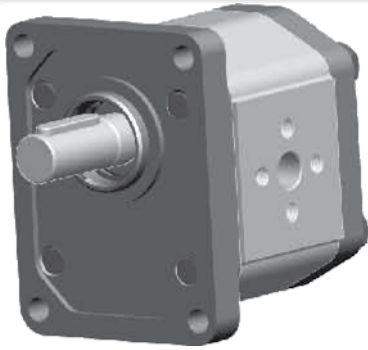
To mount the pump, n.4 M10 screws, with a torque wrench setting fixed at 70...75 Nm. [51.8...55.5 lb/ft].

Shaft M12x1.25 nut, with a torque wrench setting fixed at 50 Nm [37 lb/ft].

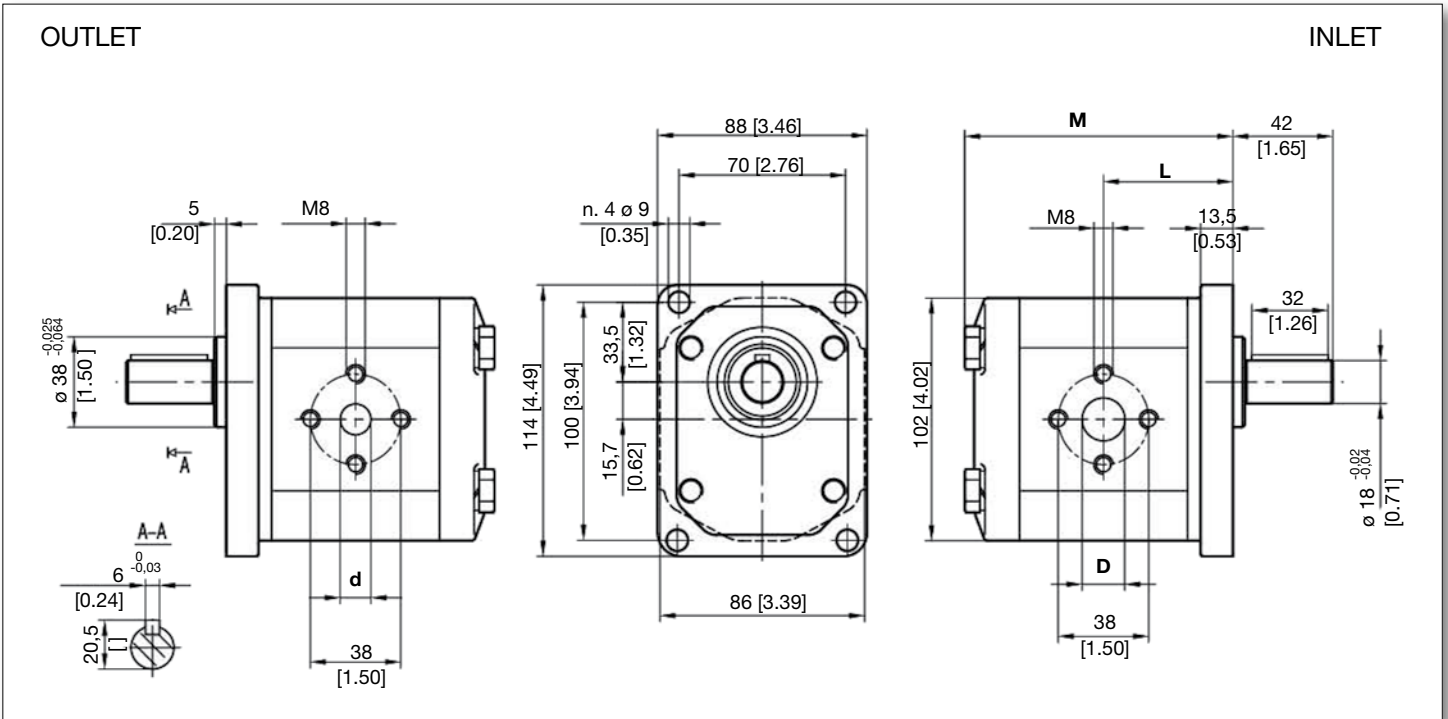


Type	Displacement		Max pressure				Max speed	Min speed	Dimension															
	cm ³ /rev	inc/rev	P1 bar	P1 PSI	P2 bar	P2 PSI			P3 bar	P3 PSI	M mm	M inch	L mm	L inch	B mm	B inch	D mm	D inch	H mm	b mm	b inch	d mm	d inch	h mm
YBHP2B0-D-3	3	0.18	270	3915	285	4133	300	4350	4000	800	91.1	3.59	43,6	1.72	30	1.18	13	0.51	M6	30	1.18	13	0.51	M6
YBHP2B0-D-4	4	0.24	270	3915	285	4133	300	4350	4000	600	92,7	3.65	44,4	1.75	30	1.18	13	0.51	M6	30	1.18	13	0.51	M6
YBHP2B0-D-6	6	0.37	270	3915	285	4133	300	4350	4000	600	96,0	3.78	46,0	1.81	30	1.18	13	0.51	M6	30	1.18	13	0.51	M6
YBHP2B0-D-8	8	0.49	270	3915	285	4133	300	4350	3500	500	99,3	3.91	47,7	1.88	30	1.18	13	0.51	M6	30	1.18	13	0.51	M6
YBHP2B0-D-10	10	0.61	270	3915	285	4133	300	4350	3000	500	102,6	4.04	49,3	1.94	40	1.57	20	0.79	M8	30	1.18	13	0.51	M6
YBHP2B0-D-12	12	0.73	270	3915	285	4133	300	4350	3000	500	105,9	4.17	51,0	2.01	40	1.57	20	0.79	M8	30	1.18	13	0.51	M6
YBHP2B0-D-14	14	0.85	250	3625	265	3843	280	4060	4000	500	109,3	4.30	52,7	2.07	40	1.57	20	0.79	M8	30	1.18	13	0.51	M6
YBHP2B0-D-16	16	0.98	250	3625	265	3843	280	4060	4000	500	112,7	4.44	54,4	2.14	40	1.57	20	0.79	M8	30	1.18	13	0.51	M6
YBHP2B0-D-18	18	1.10	250	3625	265	3843	280	4060	3600	400	116,0	4.57	56,0	2.20	40	1.57	20	0.79	M8	30	1.18	13	0.51	M6
YBHP2B0-D-20	20	1.22	220	3190	235	3408	250	3625	3200	400	119,3	4.70	57,7	2.27	40	1.57	20	0.79	M8	30	1.18	13	0.51	M6
YBHP2B0-D-22	22	1.34	220	3190	235	3408	250	3625	3000	400	122,6	4.83	59,3	2.33	40	1.57	20	0.79	M8	30	1.18	13	0.51	M6
YBHP2B0-D-25	25	1.53	200	2900	215	3118	230	3335	3000	400	127,6	5.02	61,8	2.43	40	1.57	22	0.87	M8	30	1.18	13	0.51	M6
YBHP2B0-D-28	28	1.71	180	2610	190	2755	200	2900	2500	400	132,6	5.22	64,3	2.53	40	1.57	22	0.87	M8	30	1.18	13	0.51	M6
YBHP2B0-D-30	30	1.83	180	2610	170	2465	180	2610	2500	400	135.9	5.35	66.0	2.60	40	1.57	22	0.87	M8	30	1.18	13	0.51	M6

YBHP2B1

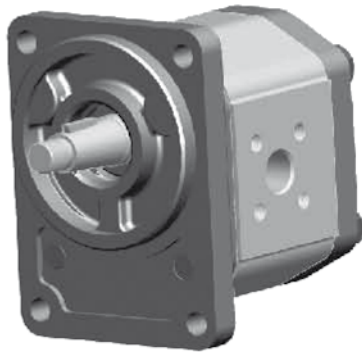


M8 thread depth 16.
 To mount the pump, n.4 M10 screws, with
 a torque wrench setting fixed at 70...75 Nm
 [51.8...55.5 lb/ft].



Type	Displacement		Max pressure						Max speed r/min	Min speed r/min	Dimension							
	cm ³ /rev	inc/	P1		P2		P3				M		L		D		d	
			bar	PSI	bar	PSI	bar	PSI			mm	inch	mm	inch	mm	inch	mm	inch
YBHP2B1-D-3	3	0.18	270	3915	285	4133	300	4350	4000	800	91.1	3.59	43.6	1.72	14.0	0.55	10	0.39
YBHP2B1-D-4	4	0.24	270	3915	285	4133	300	4350	4000	600	92,7	3.65	44,4	1.75	14,0	0,55	10	0,39
YBHP2B1-D-6	6	0.37	270	3915	285	4133	300	4350	4000	600	96,0	3,78	46,0	1,81	14,0	0,55	10	0,39
YBHP2B1-D-8	8	0.49	270	3915	285	4133	300	4350	3500	500	99,3	3,91	47,7	1,88	14,0	0,55	10	0,39
YBHP2B1-D-10	10	0.61	270	3915	285	4133	300	4350	3000	500	102,6	4,04	49,3	1,94	18,0	0,71	15	0,59
YBHP2B1-D-12	12	0.73	270	3915	285	4133	300	4350	3000	500	105,9	4,17	51,0	2,01	18,0	0,71	15	0,59
YBHP2B1-D-14	14	0.85	250	3625	265	3843	280	4060	4000	500	109,3	4,30	52,7	2,07	18,0	0,71	15	0,59
YBHP2B1-D-16	16	0.98	250	3625	265	3843	280	4060	4000	500	112,7	4,44	54,4	2,14	18,0	0,71	15	0,59
YBHP2B1-D-18	18	1.10	250	3625	265	3843	280	4060	3600	400	116,0	4,57	56,0	2,20	18,0	0,71	15	0,59
YBHP2B1-D-20	20	1.22	220	3190	235	3408	250	3625	3200	400	119,3	4,70	57,7	2,27	18,0	0,71	15	0,59
YBHP2B1-D-22	22	1.34	220	3190	235	3408	250	3625	3000	400	122,6	4,83	59,3	2,33	18,0	0,71	15	0,59
YBHP2B1-D-25	25	1.53	200	2900	215	3118	230	3335	3000	400	127,6	5,02	61,8	2,43	20,0	0,79	15	0,59
YBHP2B1-D-28	28	1.71	180	2610	190	2755	200	2900	2500	400	132,6	5,22	64,3	2,53	20,0	0,79	15	0,59
YBHP2B1-D-30	30	1.83	180	2610	170	2465	180	2610	2500	400	135,9	5,35	66,0	2,60	20,0	0,79	15	0,59

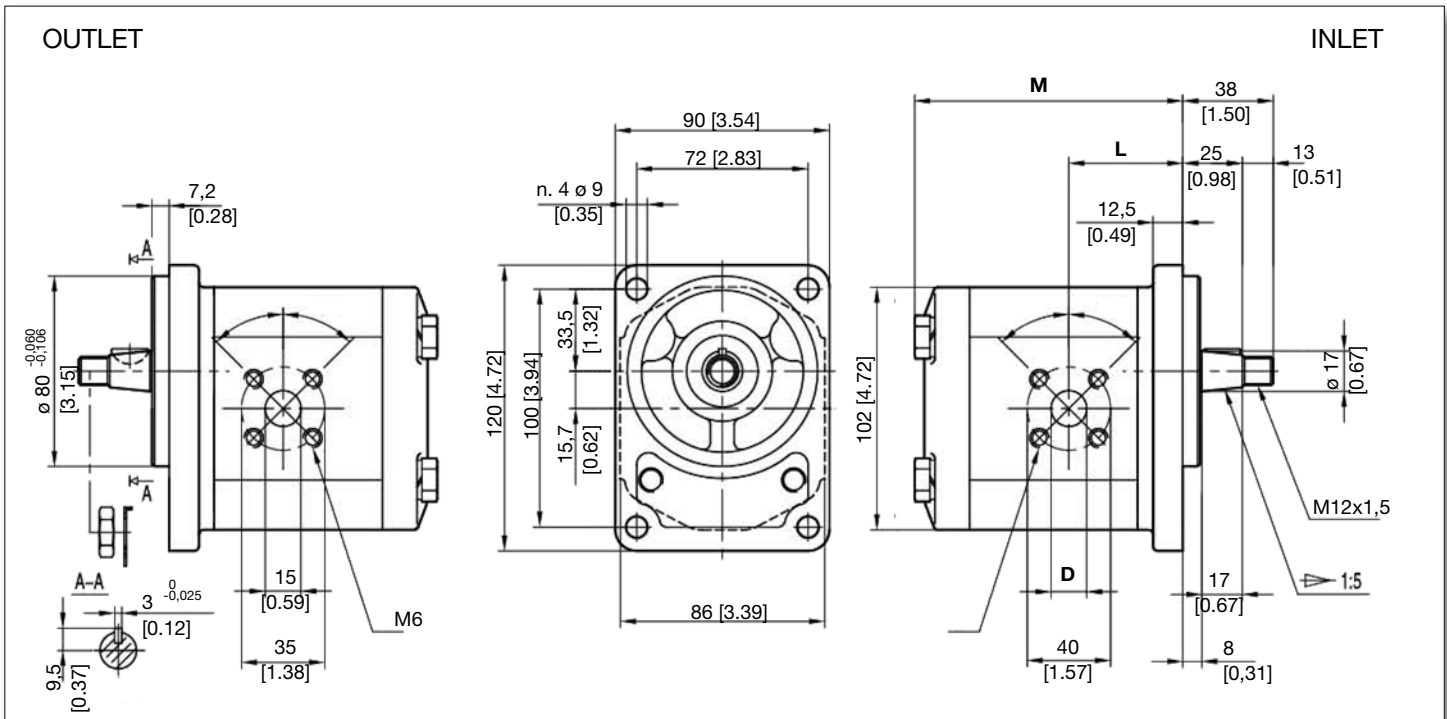
YBHP2B2



M6 thread depth 13.

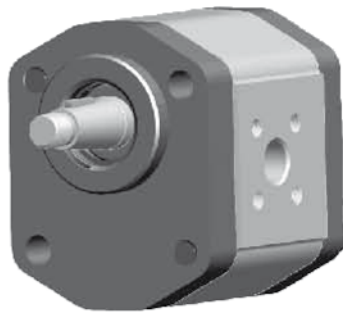
To mount the pump, n.4 M10 screws, with a torque wrench setting fixed at 70...75 Nm [51.8...55.5 lb/ft].

Shaft M12x1.25 nut, with a torque wrench setting fixed at 50 Nm [37 lb/ft].



Type	Displacement		Max pressure						Max speed	Min speed	Dimension					
	cm ³ /rev	inc/	P1		P2		P3				M		L		D	
			bar	PSI	bar	PSI	bar	PSI	mm	inch	mm	inch	mm	inch		
YBHP2B0-D-3	3	0.18	270	3915	285	4133	300	4350	4000	800	91,1	3.59	39,9	1.57	15,0	0.59
YBHP2B0-D-4	4	0.24	270	3915	285	4133	300	4350	4000	600	92,7	3.65	39,9	1.57	15,0	0.59
YBHP2B0-D-6	6	0.37	270	3915	285	4133	300	4350	4000	600	96,0	3.78	41,1	1.62	15,0	0.59
YBHP2B0-D-8	8	0.49	270	3915	285	4133	300	4350	3500	500	99,3	3.91	43,2	1.70	15,0	0.59
YBHP2B0-D-10	10	0.61	270	3915	285	4133	300	4350	3000	500	102,6	4.04	43,7	1.72	20,0	0.79
YBHP2B0-D-12	12	0.73	270	3915	285	4133	300	4350	3000	500	105,9	4.17	47,5	1.87	20,0	0.79
YBHP2B0-D-14	14	0.85	250	3625	265	3843	280	4060	4000	500	109,3	4.30	47,5	1.87	20,0	0.79
YBHP2B0-D-16	16	0.98	250	3625	265	3843	280	4060	4000	500	112,7	4.44	47,5	1.87	20,0	0.79
YBHP2B0-D-18	18	1.10	250	3625	265	3843	280	4060	3600	400	116,0	4.57	47,5	1.87	20,0	0.79
YBHP2B0-D-20	20	1.22	220	3190	235	3408	250	3625	3200	400	119,3	4.70	47,5	1.87	20,0	0.79
YBHP2B0-D-22	22	1.34	220	3190	235	3408	250	3625	3000	400	122,6	4.83	55,1	2.17	20,0	0.79
YBHP2B0-D-25	25	1.53	200	2900	215	3118	230	3335	3000	400	127,6	5.02	61,8	2.43	20,0	0.79
YBHP2B0-D-28	28	1.71	180	2610	190	2755	200	2900	2500	400	132,6	5.22	64,3	2.53	20,0	0.79
YBHP2B0-D-30	30	1.83	180	2610	170	2465	180	2610	2500	400	135,9	5.35	66,0	2.60	20,0	0.79

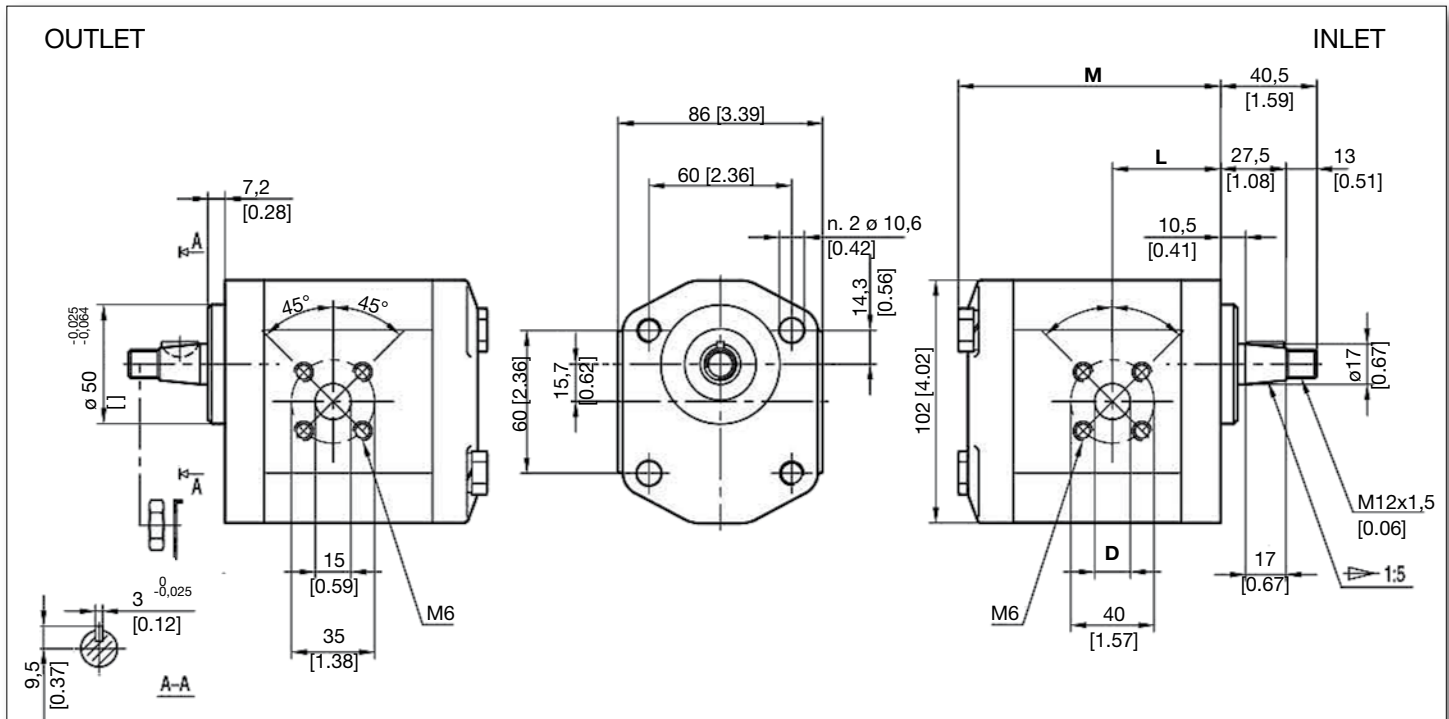
YBHP2Q0



M6 thread depth 13.

To mount the pump, n.4 M10 screws, with a torque wrench setting fixed at 45...50 Nm [33.3...37.0 lb/ft].

Shaft M12x1.25 nut, with a torque wrench setting fixed at 50 Nm [37.0 lb/ft].



Type	Displacement		Max pressure						Max speed	Min speed	Dimension					
	cm ³ /rev	inc/	P1		P2		P3		r/min	r/min	M		L		D	
			bar	PSI	bar	PSI	bar	PSI			mm	inch	mm	inch	mm	inch
YBHP2Q0-D-3	3	0.18	270	3915	285	4133	300	4350	4000	800	86.6	3.41	37.4	1.47	15.0	0.59
YBHP2Q0-D-4	4	0.24	270	3915	285	4133	300	4350	4000	600	90,2	3.55	37,4	1.47	15,0	0.59
YBHP2Q0-D-6	6	0.37	270	3915	285	4133	300	4350	4000	600	93,5	3.68	38,6	1.52	15,0	0.59
YBHP2Q0-D-8	8	0.49	270	3915	285	4133	300	4350	3500	500	96,8	3.81	40,7	1.60	15,0	0.59
YBHP2Q0-D-10	10	0.61	270	3915	285	4133	300	4350	3000	500	100,1	3.94	41,2	1.62	20,0	0.79
YBHP2Q0-D-12	12	0.73	270	3915	285	4133	300	4350	3000	500	103,4	4.07	45,0	1.77	20,0	0.79
YBHP2Q0-D-14	14	0.85	250	3625	265	3843	280	4060	4000	500	106,8	4.20	45,0	1.77	20,0	0.79
YBHP2Q0-D-16	16	0.98	250	3625	265	3843	280	4060	4000	500	110,2	4.34	45,0	1.77	20,0	0.79
YBHP2Q0-D-18	18	1.10	250	3625	265	3843	280	4060	3600	400	113,5	4.47	45,0	1.77	20,0	0.79
YBHP2Q0-D-20	20	1.22	220	3190	235	3408	250	3625	3200	400	116,8	4.60	45,0	1.77	20,0	0.79
YBHP2Q0-D-22	22	1.34	220	3190	235	3408	250	3625	3000	400	120,1	4.73	52,6	2.07	20,0	0.79
YBHP2Q0-D-25	25	1.53	200	2900	215	3118	230	3335	3000	400	125,1	4.93	59,3	2.33	20,0	0.79
YBHP2Q0-D-28	28	1.71	180	2610	190	2755	200	2900	2500	400	130,1	5.12	61,8	2.43	20,0	0.79
YBHP2Q0-D-30	30	1.83	180	2610	170	2465	180	2610	2500	400	133,4	5.25	63.5	2.50	20,0	0.79

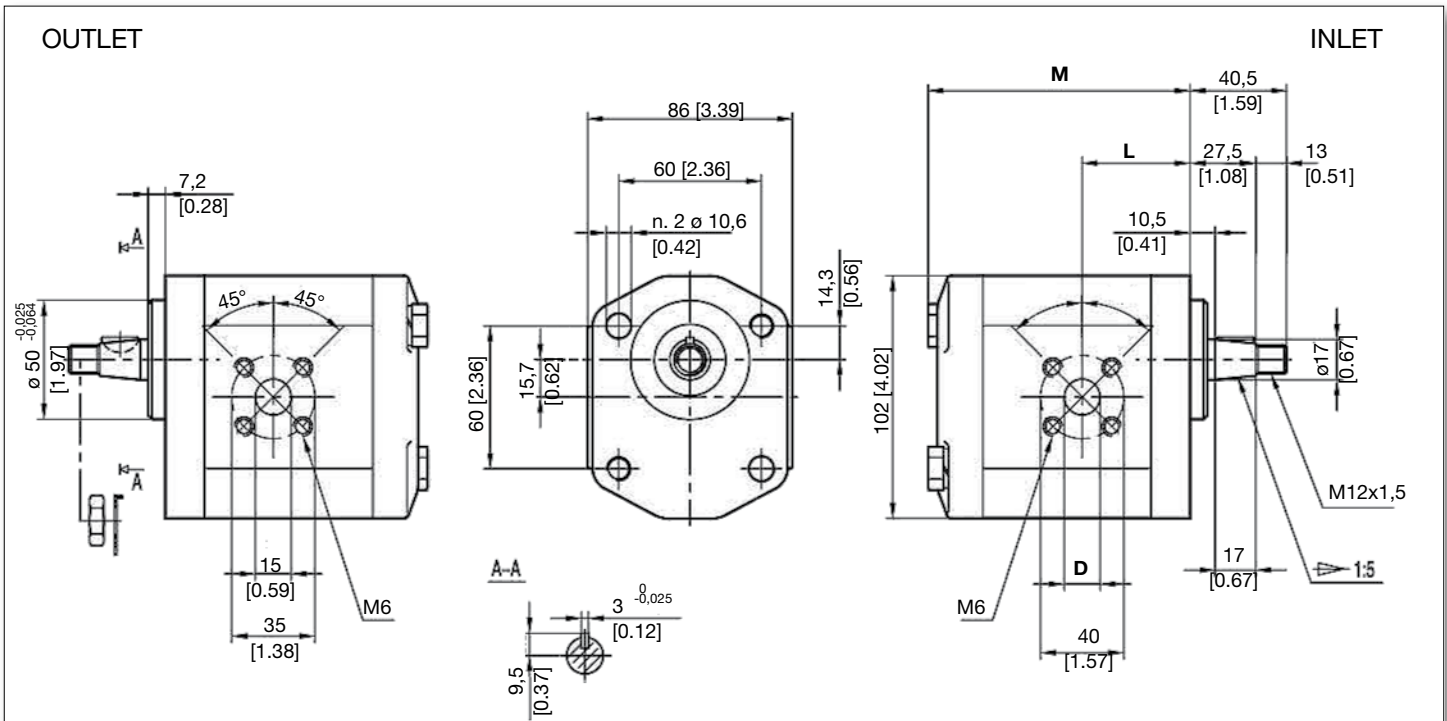
YBHP2Q1



M6 thread depth 13.

To mount the pump, n. 2 M10 screws, with a torque wrench setting fixed at 45...50 Nm [33.3...37.0 lb/ft].

Shaft M12x1.25 nut, with a torque wrench setting fixed at 50 Nm [37.0 lb/ft].



Type	Displacement		Max pressure						Max speed	Min speed	Dimension					
	cm ³ /rev	inc/	P1		P2		P3				M		L		D	
			bar	PSI	bar	PSI	bar	PSI	r/min	r/min	mm	inch	mm	inch	mm	inch
YBHP2Q1-D-3	3	0.18	270	3915	285	4133	300	4350	4000	800	86,6	3.41	37,4	1.47	15,0	0.59
YBHP2Q1-D-4	4	0.24	270	3915	285	4133	300	4350	4000	600	90,2	3.55	37,4	1.47	15,0	0.59
YBHP2Q1-D-6	6	0.37	270	3915	285	4133	300	4350	4000	600	93,5	3.68	38,6	1.52	15,0	0.59
YBHP2Q1-D-8	8	0.49	270	3915	285	4133	300	4350	3500	500	96,8	3.81	40,7	1.60	15,0	0.59
YBHP2Q1-D-10	10	0.61	270	3915	285	4133	300	4350	3000	500	100,1	3.94	41,2	1.62	20,0	0.79
YBHP2Q1-D-12	12	0.73	270	3915	285	4133	300	4350	3000	500	103,4	4.07	45,0	1.77	20,0	0.79
YBHP2Q1-D-14	14	0.85	250	3625	265	3843	280	4060	4000	500	106,8	4.20	45,0	1.77	20,0	0.79
YBHP2Q1-D-16	16	0.98	250	3625	265	3843	280	4060	4000	500	110,2	4.34	45,0	1.77	20,0	0.79
YBHP2Q1-D-18	18	1.10	250	3625	265	3843	280	4060	3600	400	113,5	4.47	45,0	1.77	20,0	0.79
YBHP2Q1-D-20	20	1.22	220	3190	235	3408	250	3625	3200	400	116,8	4.60	45,0	1.77	20,0	0.79
YBHP2Q1-D-22	22	1.34	220	3190	235	3408	250	3625	3000	400	120,1	4.73	52,6	2.07	20,0	0.79
YBHP2Q1-D-25	25	1.53	200	2900	215	3118	230	3335	3000	400	125,1	4.93	59,3	2.33	20,0	0.79
YBHP2Q1-D-28	28	1.71	180	2610	190	2755	200	2900	2500	400	130,1	5.12	61,8	2.43	20,0	0.79
YBHP2Q1-D-30	30	1.83	180	2610	170	2465	180	2610	2500	400	133,4	5.25	63,5	2.50	20,0	0.79

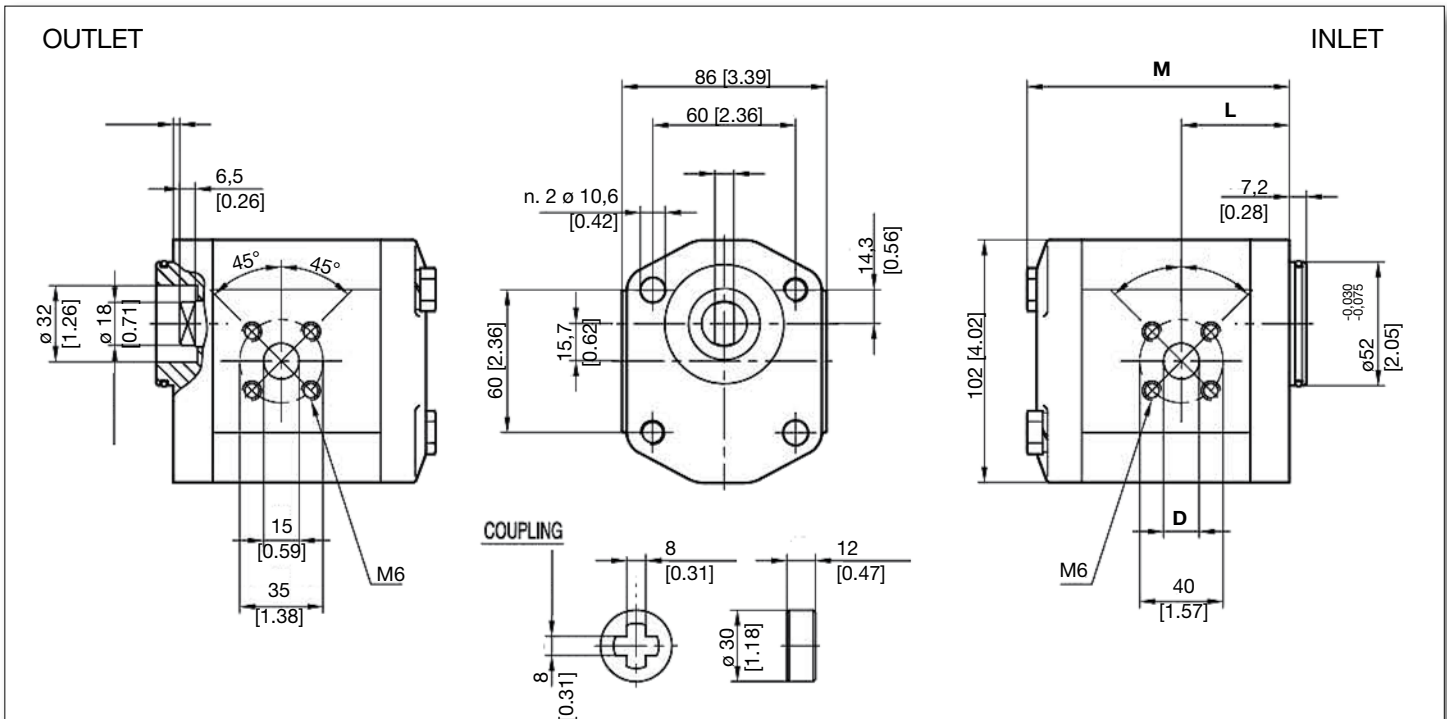
YBHP2Q2



M6 thread depth 13.

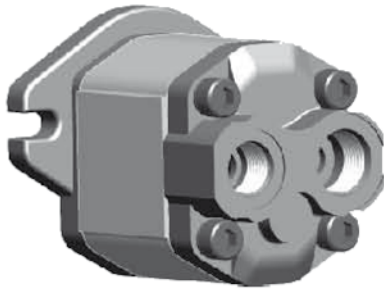
To mount the pump, n. 2 M10 screws, with a torque wrench setting fixed at 45...50 Nm [33.3...37.0 lb/ft].

Shaft M12x1.25 nut, with a torque wrench setting fixed at 50 Nm [37.0 lb/ft].



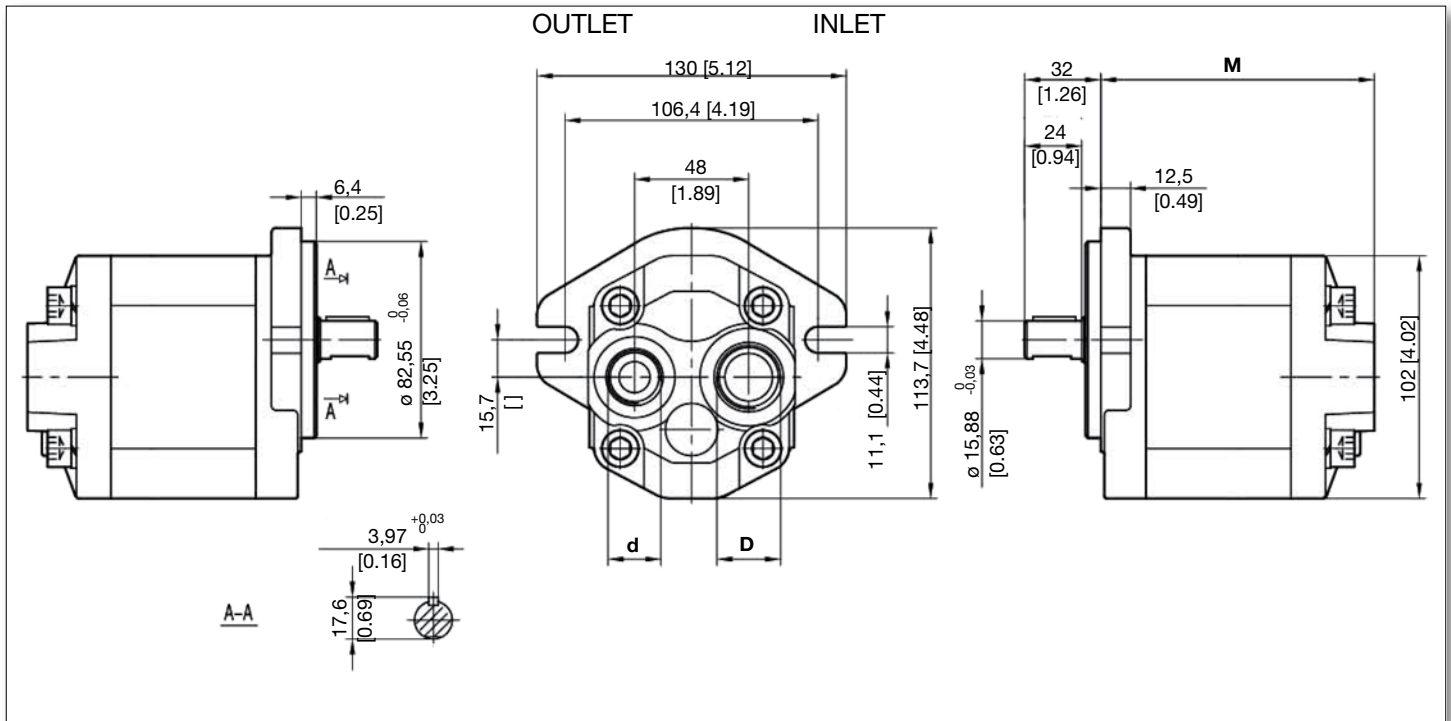
Type	Displacement		Max pressure						Max speed	Min speed	Dimension					
	cm ³ /rev	inc/	P1		P2		P3				M		L		D	
			bar	PSI	bar	PSI	bar	PSI	mm	inch	mm	inch	mm	inch		
YBHP2Q2-D-3	3	0,18	270	3915	285	4133	300	4350	4000	800	86,6	3.41	37,4	1.47	15,0	0.59
YBHP2Q2-D-4	4	0.24	270	3915	285	4133	300	4350	4000	600	90,2	3.55	37,4	1.47	15,0	0.59
YBHP2Q2-D-6	6	0.37	270	3915	285	4133	300	4350	4000	600	93,5	3.68	38,6	1.52	15,0	0.59
YBHP2Q2-D-8	8	0.49	270	3915	285	4133	300	4350	3500	500	96,8	3.81	40,7	1.60	15,0	0.59
YBHP2Q2-D-10	10	0.61	270	3915	285	4133	300	4350	3000	500	100,1	3.94	41,2	1.62	20,0	0.79
YBHP2Q2-D-12	12	0.73	270	3915	285	4133	300	4350	3000	500	103,4	4.07	45,0	1.77	20,0	0.79
YBHP2Q2-D-14	14	0.85	250	3625	265	3843	280	4060	4000	500	106,8	4.20	45,0	1.77	20,0	0.79
YBHP2Q2-D-16	16	0.98	250	3625	265	3843	280	4060	4000	500	110,2	4.34	45,0	1.77	20,0	0.79
YBHP2Q2-D-18	18	1.10	250	3625	265	3843	280	4060	3600	400	113,5	4.47	45,0	1.77	20,0	0.79
YBHP2Q2-D-20	20	1.22	220	3190	235	3408	250	3625	3200	400	116,8	4.60	45,0	1.77	20,0	0.79
YBHP2Q2-D-22	22	1.34	220	3190	235	3408	250	3625	3000	400	120,1	4.73	52,6	2.07	20,0	0.79
YBHP2Q2-D-25	25	1.53	200	2900	215	3118	230	3335	3000	400	125,1	4.93	59,3	2.33	20,0	0.79
YBHP2Q2-D-28	28	1.71	180	2610	190	2755	200	2900	2500	400	130,1	5.12	61,8	2.43	20,0	0.79
YBHP2Q2-D-30	30	1.83	180	2610	170	2465	180	2610	2500	400	133,4	5.25	63,5	2,50	20,0	0,79

YBHP2A0-R



“D” and “d” ports are machine in compliance with threaded port with threaded ports with O-ring seal in truncated housing SAE J1926/1 (ISO J1926-1).

To mount the pump, n. 4 M10 screws, with a torque wrench setting fixed at 70...75 Nm [51.8...55.0 lb/ft].



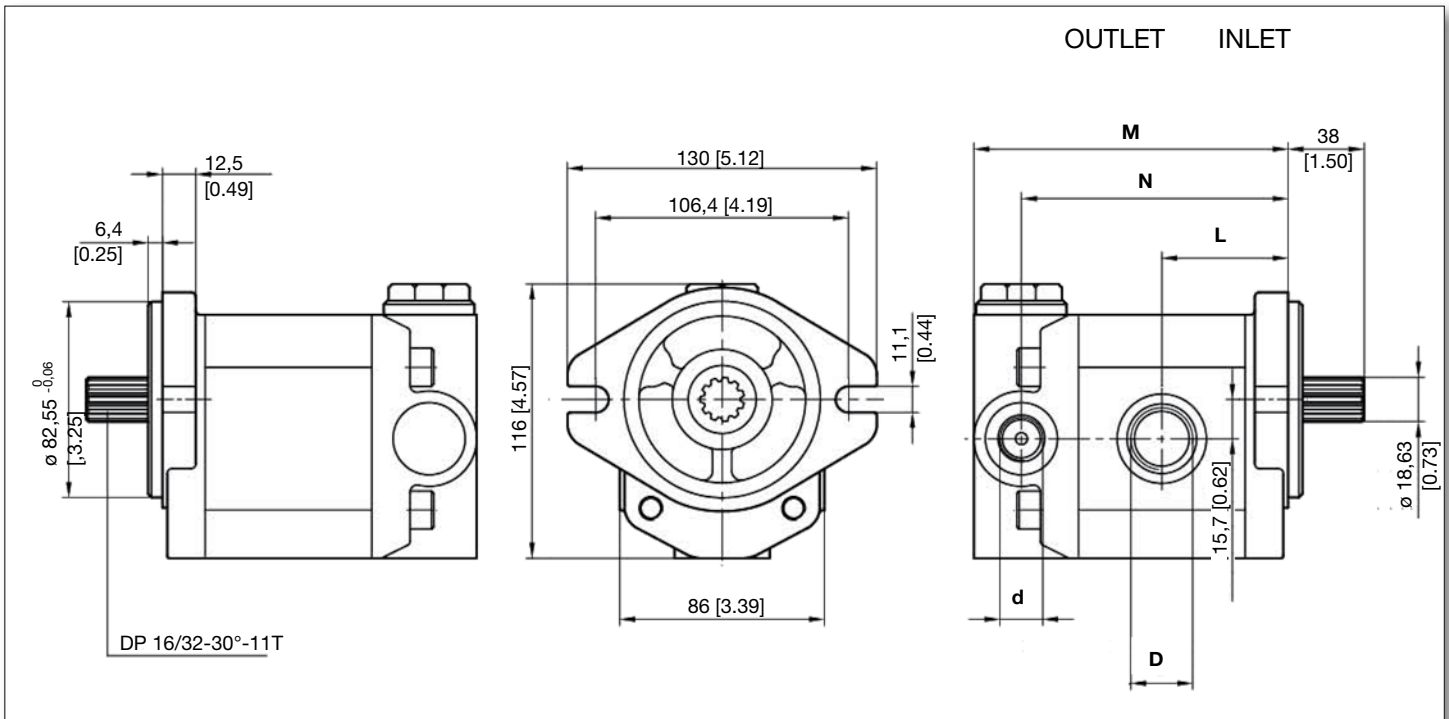
Type	Displacement		Max pressure						Max speed r/min	Min speed r/min	Dimension			
	cm ³ /rev	inc/	P1		P2		P3				M		D	d
			bar	PSI	bar	PSI	bar	PSI			mm	inch		
YBHP2A0-D-3-R	3	0.18	270	3915	285	4133	300	4350	4000	800	103.1	4.06	1 1/16-12UNF	7/8-14UNF
YBHP2A0-D-4-R	4	0.24	270	3915	285	4133	300	4350	4000	600	104,7	4.12	1 1/16-12UNF	7/8-14UNF
YBHP2A0-D-6-R	6	0.37	270	3915	285	4133	300	4350	4000	600	108,0	4.25	1 1/16-12UNF	7/8-14UNF
YBHP2A0-D-8-R	8	0.49	270	3915	285	4133	300	4350	3500	500	111,3	4.38	1 1/16-12UNF	7/8-14UNF
YBHP2A0-D-10-R	10	0.61	270	3915	285	4133	300	4350	3000	500	114,6	4.51	1 1/16-12UNF	7/8-14UNF
YBHP2A0-D-12-R	12	0.73	270	3915	285	4133	300	4350	3000	500	117,9	4.64	1 1/16-12UNF	7/8-14UNF
YBHP2A0-D-14-R	14	0.85	250	3625	265	3843	280	4060	4000	500	121,3	4.78	1 1/16-12UNF	7/8-14UNF
YBHP2A0-D-16-R	16	0.98	250	3625	265	3843	280	4060	4000	500	124,7	4.91	1 1/16-12UNF	7/8-14UNF
YBHP2A0-D-18-R	18	1.10	250	3625	265	3843	280	4060	3600	400	128,0	5.04	1 1/16-12UNF	7/8-14UNF
YBHP2A0-D-20-R	20	1.22	220	3190	235	3408	250	3625	3200	400	131,3	5.17	1 1/16-12UNF	7/8-14UNF
YBHP2A0-D-22-R	22	1.34	220	3190	235	3408	250	3625	3000	400	134,6	5.30	1 1/16-12UNF	7/8-14UNF
YBHP2A0-D-25-R	25	1.53	200	2900	215	3118	230	3335	3000	400	139,6	5.50	1 1/16-12UNF	7/8-14UNF
YBHP2A0-D-28-R	28	1.71	180	2610	190	2755	200	2900	2500	400	144,6	5.69	1 1/16-12UNF	7/8-14UNF
YBHP2A0-D-30-R	30	1.83	180	2610	170	2465	180	2610	2500	400	147.9	5.82	1 5/16-12UNF	7/8-14UNF

YBHP2A0-Fx



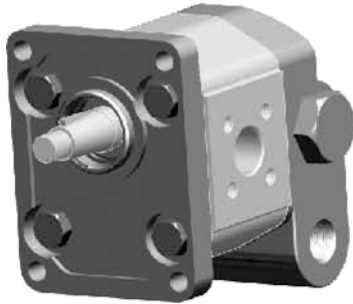
“D” and “d” ports are machine in compliance with threaded port with threaded ports with O-ring seal in truncated housing SAE J1926/1 (ISO J1926-1).

To mount the pump, n. 4 M10 screws, with a torque wrench setting fixed at 70...75 Nm [51.8...55.0 lb/ft].



Type	Displacement		Control pressure P1	Control flow Qconst	Max speed r/min	Min speed r/min	Dimension								
	cm ³ /rev	inc/rev					M	L	N	D		d			
YBHP2A0-D-3-Fx	3	0.18	100... 180	2...30	4000	800	112,1	4.41	43,6	1.72	92,1	3.63	1 1/16-12UNF		7/8-14UNF
YBHP2A0-D-4-Fx	4	0.24			4000	600	113,7	4.48	44,4	1.75	93,7	3.69	1 1/16-12UNF		7/8-14UNF
YBHP2A0-D-6-Fx	6	0.37			4000	600	117,0	4.61	46,0	1.81	97,0	3.82	1 1/16-12UNF		7/8-14UNF
YBHP2A0-D-8-Fx	8	0.49			3500	500	120,3	4.74	47,7	1.88	100,3	3.95	1 1/16-12UNF		7/8-14UNF
YBHP2A0-D-10-Fx	10	0.61			3000	500	123,6	4.87	49,3	1.94	103,6	4.08	1 1/16-12UNF		7/8-14UNF
YBHP2A0-D-12-Fx	12	0.73			3000	500	126,9	5.00	51,0	2.01	106,9	4.21	1 1/16-12UNF		7/8-14UNF
YBHP2A0-D-14-Fx	14	0.85			4000	500	130,3	5.13	52,7	2.07	110,3	4.34	1 1/16-12UNF		7/8-14UNF
YBHP2A0-D-16-Fx	16	0.98			4000	500	133,7	5.26	54,4	2.14	113,7	4.48	1 1/16-12UNF		7/8-14UNF
YBHP2A0-D-18-Fx	18	1.10			3600	400	137,0	5.39	56,0	2.20	117,0	4.61	1 1/16-12UNF		7/8-14UNF
YBHP2A0-D-20-Fx	20	1.22			3200	400	140,3	5.52	57,7	2.27	120,3	4.74	1 1/16-12UNF		7/8-14UNF
YBHP2A0-D-22-Fx	22	1.34			3000	400	143,6	5.65	59,3	2.33	123,6	4.87	1 1/16-12UNF		7/8-14UNF
YBHP2A0-D-25-Fx	25	1.53			3000	400	148,6	5.85	61,8	2.43	128,6	5.06	1 1/16-12UNF		7/8-14UNF
YBHP2A0-D-28-Fx	28	1.71			2500	400	153,6	6.05	64,3	2.53	133,6	5.26	1 1/16-12UNF		7/8-14UNF
YBHP2A0-D-30-Fx	30	1.83			2500	400	156,9	6.18	66,0	2.60	136,9	5.39	1 5/16-12UNF		7/8-14UNF

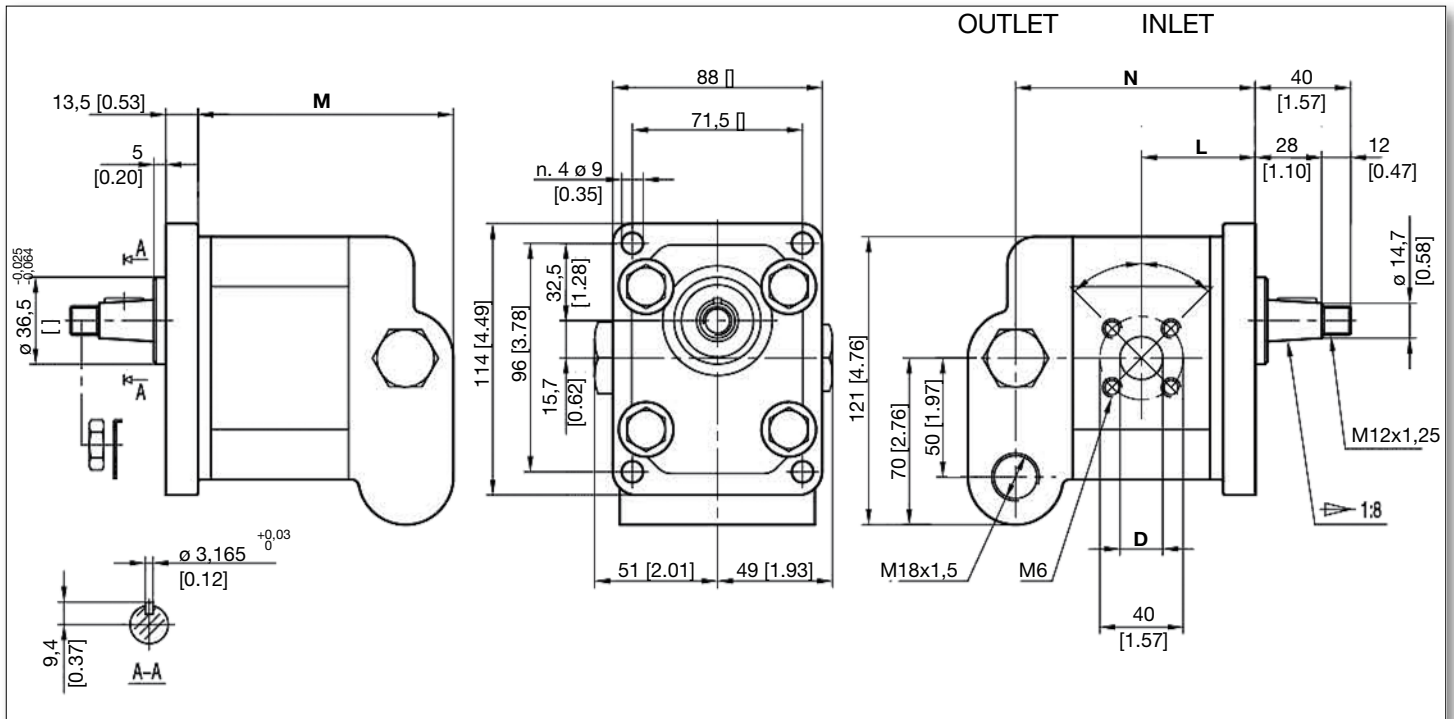
YBHP2A0-FAx



M6 thread depth 13, M18x1,5 thread depth 14.

To mount the pump, n.4 M10 screws, with a torque wrench setting fixed at 70...75 Nm [51.8...55.0 lb/ft].

Shaft M12x1.25 nut, with a torque wrench setting fixed at 50 Nm [37.0 lb/ft].

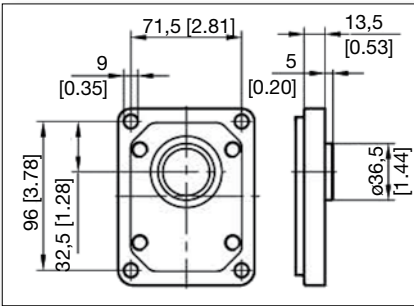


Type	Displacement		Control pressure P1	Control flow Qconst	Max speed r/min	Min speed r/min	Dimension							
	cm ³ /rev	inc/					M		L		N		D	
							mm	inch	mm	inch	mm	inch	mm	inch
YBHP2A0-D-3-FAx	3	0.18	100... 180	2...30	4000	800	112.1	4.41	43.6	1.72	96.1	3.78	15	0.59
YBHP2A0-D-4-FAx	4	0.24			4000	600	113,7	4.48	44,4	1.75	97,7	3.85	15	0.59
YBHP2A0-D-6-FAx	6	0.37			4000	600	117,0	4.61	46,0	1.81	101,0	3.98	15	0.59
YBHP2A0-D-8-FAx	8	0.49			3500	500	120,3	4.74	47,7	1.88	104,3	4.11	15	0.59
YBHP2A0-D-10-FAx	10	0.61			3000	500	123,6	4.87	49,3	1.94	107,6	4.24	20	0.79
YBHP2A0-D-12-FAx	12	0.73			3000	500	126,9	5.00	51,0	2.01	110,9	4.37	20	0.79
YBHP2A0-D-14-FAx	14	0.85			4000	500	130,3	5.13	52,7	2.07	114,0	4.49	20	0.79
YBHP2A0-D-16-FAx	16	0.98			4000	500	133,7	5.26	54,4	2.14	117,7	4.63	20	0.79
YBHP2A0-D-18-FAx	18	1.10			3600	400	137,0	5.39	56,0	2.20	121,0	4.76	20	0.79
YBHP2A0-D-20-FAx	20	1.22			3200	400	140,3	5.52	57,7	2.27	124,3	4.89	20	0.79
YBHP2A0-D-22-FAx	22	1.34			3000	400	143,6	5.65	59,3	2.33	127,6	5.02	20	0.79
YBHP2A0-D-25-FAx	25	1.53			3000	400	148,6	5.85	61,8	2.43	132,6	5.22	20	0.79
YBHP2A0-D-28-FAx	28	1.71			2500	400	153,6	6.05	64,3	2.53	137,6	5.42	20	0.79
YBHP2A0-D-30-FAx	30	1.83			2500	400	156,9	6.18	66,0	2.60	140,9	5.55	20	0.79

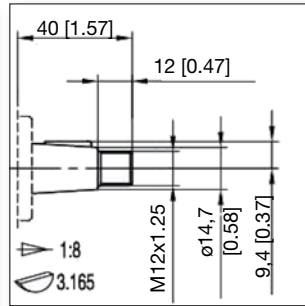
YBAP2 (YBHP2)

FRONT COVER

SHAFTS

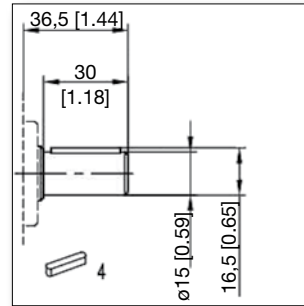


B0



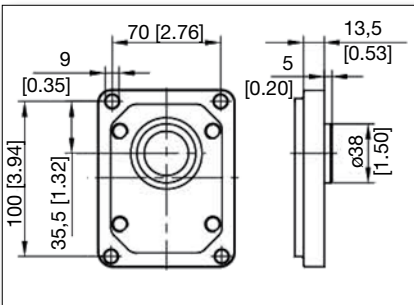
T0

Max Torque 200 Nm
[148 lb/ft].

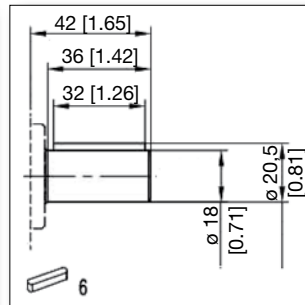


C4

Max Torque 135 Nm
[99.9 lb/ft]

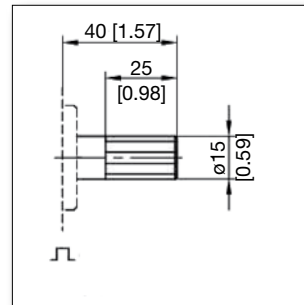


B1



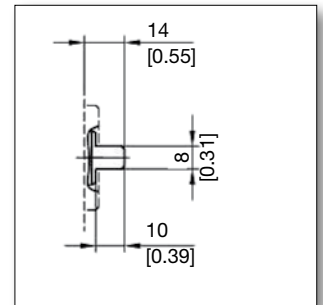
C2

Max Torque 150 Nm
[111 lb/ft].



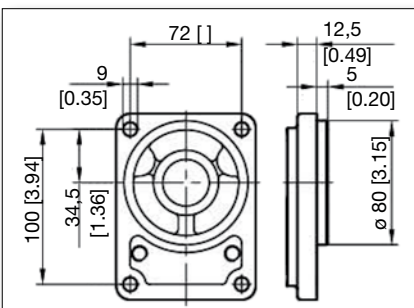
H0

Max Torque 185 Nm
[136.9 lb/ft].

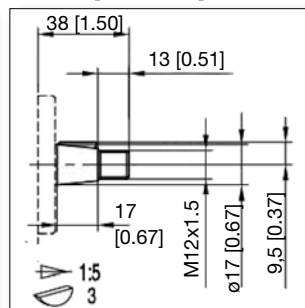


G0

Max Torque 100 Nm
[74 lb/ft].

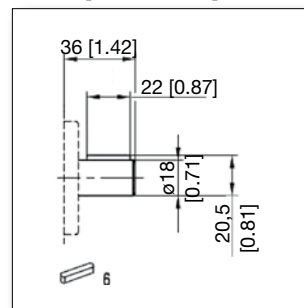


B2



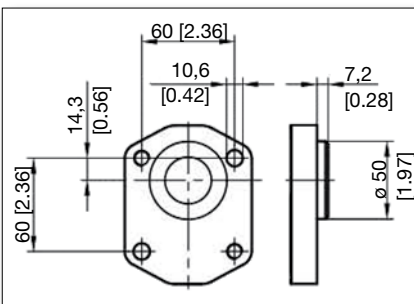
T1

Max Torque 180 Nm
[133.2 lb/ft].

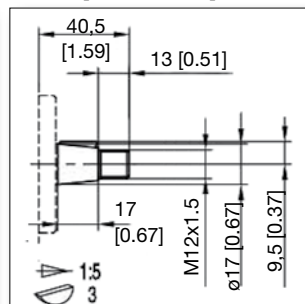


C3

Max Torque 150 Nm
[111 lb/ft].

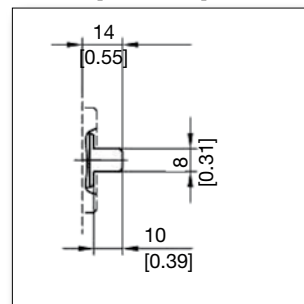


Q0



T1

Max Torque 180 Nm
[74 lb/ft].

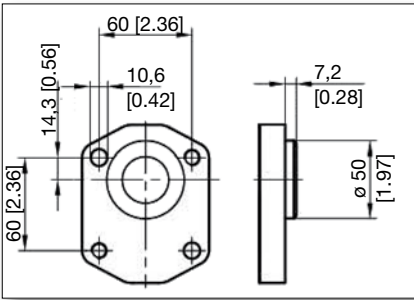


G0

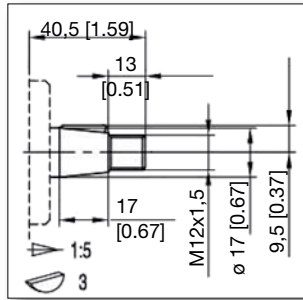
Max Torque 100 Nm
[74 lb/ft].

FRONT COVER

SHAFTS

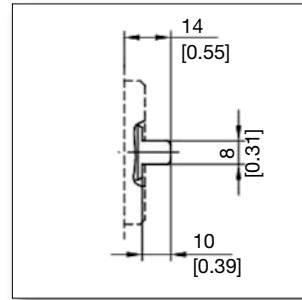


Q1



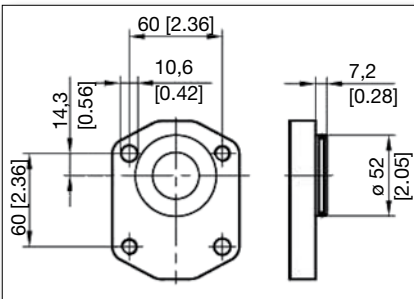
T1

Max Torque 180 Nm
[133.2 lb/ft].

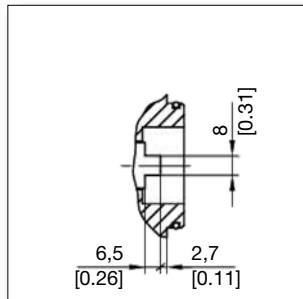


G0

Max Torque 100 Nm
[74 lb/ft].

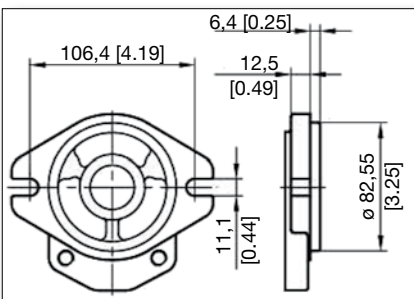


Q2

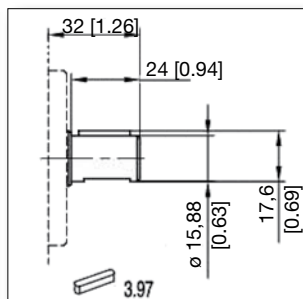


G1

Max Torque 100 Nm
[74 lb/ft].

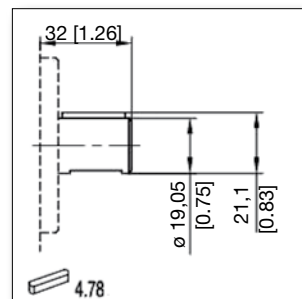


A0



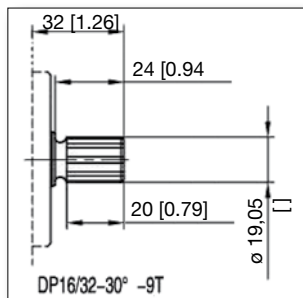
C0

Max Torque 140 Nm
[103.6 lb/ft].



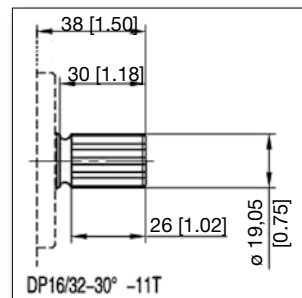
C1

Max Torque 160 Nm
[118.4 lb/ft].



S0

Max Torque 185 Nm
[136.9 lb/ft].



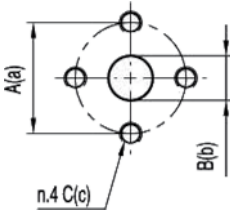
S1

Max Torque 200 Nm
[148 lb/ft].

YBAP2 (YBHP2)

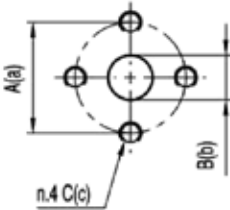
PORTS

E0/E1/E2



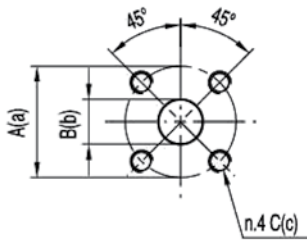
Type	PORT code		INLET			OUTLET		
			A	B	C	a	b	c
YBA(H)P2...3 ÷ YBA(H)P2...8	E0	mm	30	13	M6	30	13	M6
		inch	1.18	0.51		1.18	0.51	
YBA(H)P2...10 ÷ YBA(H)P2...22	E1	mm	40	20	M8	30	13	M6
		inch	1.57	0.79		1.18	0.51	
YBA(H)P2...25 ÷ YBA(H)P2...30	E2	mm	40	22	M8	30	13	M6
		inch	1.57	0.87		1.18	0.51	

E3



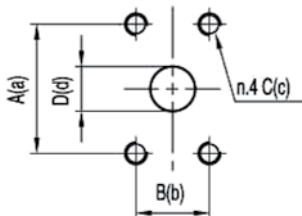
Type		INLET			OUTLET		
		A	B	C	a	b	c
YBA(H)P2...3 ÷ YBA(H)P2...8	mm	38	14	M8	38	10	M8
	inch	1.50	0.55		1.50	0.39	
YBA(H)P2...10 ÷ YBA(H)P2...22	mm	38	18	M8	38	13	M8
	inch	1.50	0.71		1.50	0.51	
YBA(H)P2...25 ÷ YBA(H)P2...30	mm	38	20	M8	38	13	M8
	inch	1.50	0.79		1.50	0.51	

F0/F1



Type	PORT code		INLET			OUTLET		
			A	B	C	a	b	c
YBA(H)P2...3 ÷ YBA(H)P2...8	F0	mm	40	15	M6	35	13	M6
		inch	1.57			1.38	0.51	
YBA(H)P2...10 ÷ YBA(H)P2...30	F1	mm	40	20	M8	35	13	M6
		inch	1.57	0.79		1.38	0.51	

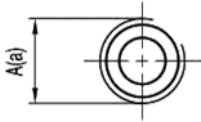
F2/F3/F4



Type	PORT code		INLET				OUTLET			
			A	B	C	D	a	b	c	d
YBA(H)P2...3 ÷ YBA(H)P2...8	E0	mm	30	13	5/16-18UNC	13	38.1	17.48	5/16-18UNC	13
		inch	1.18	0.51		1.50	0.69	0.51		
YBA(H)P2...10 ÷ YBA(H)P2...22	E1	mm	40	20	3/8-16UNC	20	38.1	17.48	5/16-18UNC	13
		inch	1.57	0.79		0.79	1.50	0.69		0.51
YBA(H)P2...25 ÷ YBA(H)P2...30	E2	mm	40	22	3/8-16UNC	20	47.63	22.23	3/8-16UNC	20
		inch	1.57	0.87		0.79	1.88	0.88		0.79

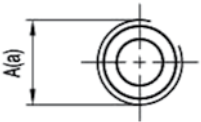
PORTS

EO/E1/E2



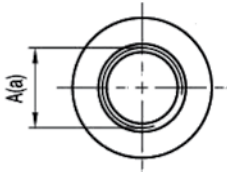
Type	PORTS CODE	INLET	OUTLET
		a	b
YBA(H)P2...3 ÷ YBA(H)P2...6	L0	G 1/2	G 1/2
YBA(H)P2...8 ÷ YBA(H)P2...30	L1	G 3/4	G 1/2

E3



Type	PORTS CODE	INLET	OUTLET
		a	b
YBA(H)P2...3 ÷ YBA(H)P2...12	R0	PT 1/2	PT 1/2
YBA(H)P2...14 ÷ YBA(H)P2...25	R1	PT 3/4	PT 1/2
YBA(H)P2...28 ÷ YBA(H)P2...30	R2	PT 1	PT 3/4

FO/F1



Type	PORTS CODE	INLET	OUTLET
		a	b
YBA(H)P2...3 ÷ YBA(H)P2...26	U0	1 1/16-12UNF	7/8-14 UNF
YBA(H)P2...30	U1	1 5/16-12UNF	7/8-14 UNF

YBAP2 (YBHP2)

HOW TO ORDER

YBA	P	2	Front Cover	Rotation	Size	Shaft	Ports	Port position	Seals	Options
Series	Pump	Group	A0	D Clockwise	3					
			B0	S Counter Clockwise	4					
			B1	R Reversible	5					
			B2		6					
			Q0		8					
			Q1		10					
			Q2		12					
					14					
					16					
					18					
					20					
					22					
					25					
					28					
					30					

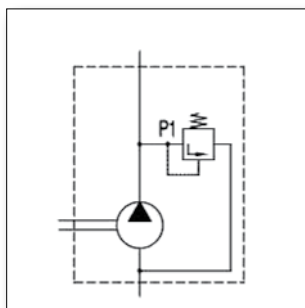
PORTS POSITION

Omit	Side Inlet and side outlet
A	Front inlet and front outlet
B	Back inlet and front outlet
C	Back inlet and side outlet
D	Side inlet and front outlet
R	Back inlet and back outlet

SEALS

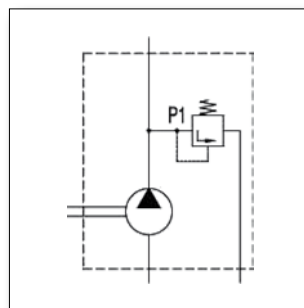
Omit	Range between -10°C and +80°C inlet pressure up to max. 3 bar absolute.
V	Version suitable for fluid at hi-temperatures, range between -10°C and +120°C
H	Version suitable for fluid at low-temperature, range between -40°C and +80°C
T	Version suitable for inlet pressure up to max 3 and 6 bar absolute.
N	Version suitable for inlet pressure up to max 3 and 10 bar absolute.

OPTIONS



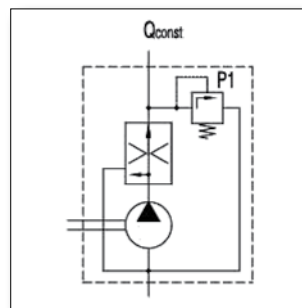
Pressure relief valve.
Discharge returned to suction.
P1=5...250 bar
[73...3625 psi
Ordering Code:

Y	180xx
---	-------



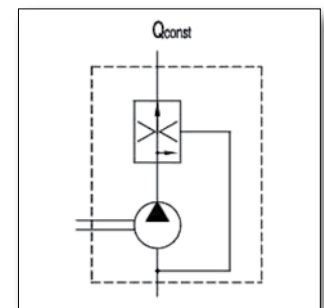
Pressure relief valve.
Discharge returned to externally.
P1=5...250 bar
[73...3625 psi
Ordering Code:

P	120xx
---	-------



3-way flow control valve with pressure relief valve.
Excess flow returned to suction
P1=100...180 bar
[1450...2610 psi
Ordering Code:

F	15015
---	-------



3-way flow control valve
Excess flow returned to suction
Qconst=2...30 L/min
?????
Ordering Code:

Q	xxx15
---	-------

EXAMPLE

YBAP2-B0-D-2-TO-E0

clockwise rotation, 3 cc/rev, B0 front cover, 1:8 tapered shaft (T0), setting ports E0 type, standard seals

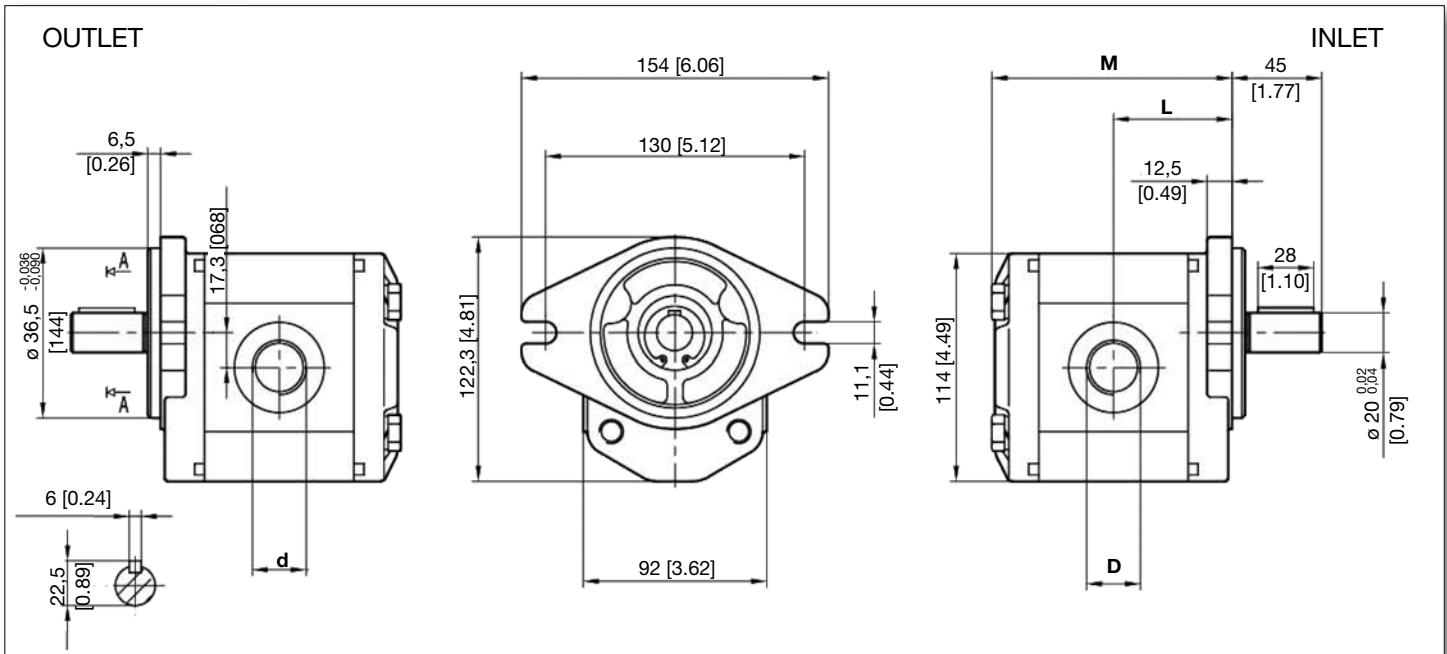
YBAP2.5 (YBHP2.5)

YBAP2.5A0



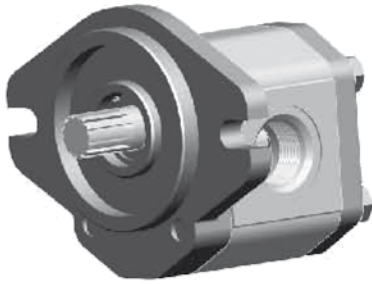
- M18x1,5 thread depth 15.
- M22x1,5 thread depth 16.
- M27,2x2 thread depth 19.
- M33x2 thread depth 20.

To mount the pump, n. 4 M12 screws, with a torque wrench setting fixed at 75...80 Nm [51.8...55.0 lb/ft].



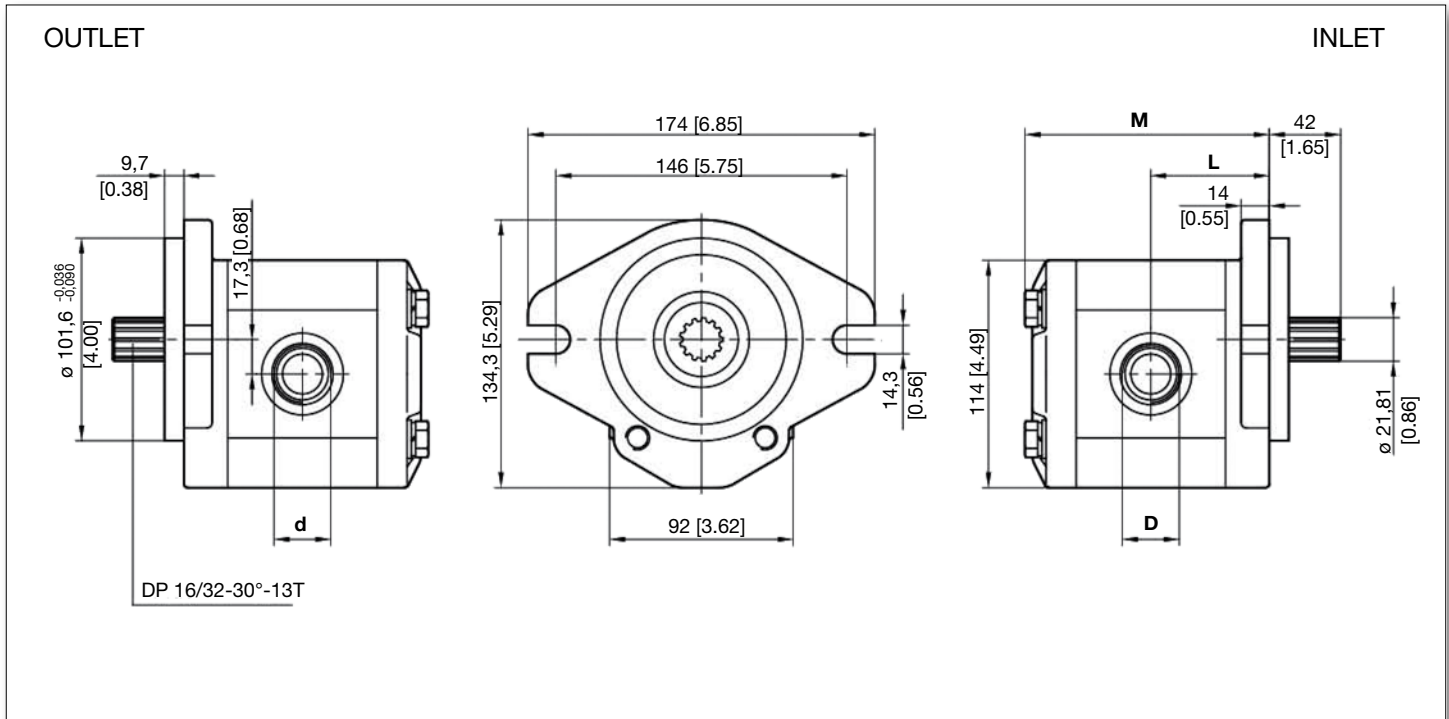
Type	Displacement		Max pressure						Max speed r/min	Min speed r/min	Dimension					
	cm ³ /rev	inc/	P1		P2		P3				M		L		D	d
YBAP2.5A0-D-10	10	0.61	250	3625	270	3915	290	4205	4000	800	110	4.33	53.3	2.10	M22x1,5	M18x1,5
YBAP2.5A0-D-12.5	12,5	0,76	250	3625	270	3915	290	4205	4000	800	113	4.45	54,8	2.16	M22x1,5	M18x1,5
YBAP2.5A0-D-14	14	0,85	250	3625	270	3915	290	4205	4000	700	115	4.53	55,8	2.20	M22x1,5	M18x1,5
YBAP2.5A0-D-16	16	0,98	250	3625	270	3915	290	4205	3500	700	118	4.65	57,1	2.25	M27x2	M22x1,5
YBAP2.5A0-D-18	18	1,10	250	3625	270	3915	290	4205	3500	600	120	4.72	58,3	2.30	M27x2	M22x1,5
YBAP2.5A0-D-19	19	1,16	250	3625	270	3915	290	4205	3500	600	121	4.76	58,8	2.31	M27x2	M22x1,5
YBAP2.5A0-D-20	20	1,22	250	3625	270	3915	290	4205	3000	500	123	4.84	59,6	2.35	M27x2	M22x1,5
YBAP2.5A0-D-23	23	1,40	230	3335	250	3625	260	3770	3500	500	126	4.96	61,3	2.41	M33x2	M27x2
YBAP2.5A0-D-25	25	1,53	230	3335	250	3625	260	3770	3500	500	129	5.08	62,6	2.46	M33x2	M27x2
YBAP2.5A0-D-26,5	26,5	1,62	230	3335	250	3625	260	3770	3500	500	131	5.16	63,6	2.50	M33x2	M27x2
YBAP2.5A0-D-28	28	1,71	230	3335	250	3625	260	3770	3500	500	133	5.24	64,6	2.54	M33x2	M27x2
YBAP2.5A0-D-30	30	1,83	230	3335	250	3625	260	3770	3000	400	135	5.31	65,6	2.58	M33x2	M27x2
YBAP2.5A0-D-32	32	1,95	200	2900	230	3335	250	3625	3000	400	138	5.43	67,1	2.64	M33x2	M27x2
YBAP2.5A0-D-36	36	2,20	200	2900	230	3335	250	3625	2750	400	142	5.59	69,1	2.72	M33x2	M27x2
YBAP2.5A0-D-40	40	2,44	160	2320	180	2610	200	2900	2500	400	148	5.83	71,6	2.82	M33x2	M27x2
YBAP2.5A0-D-45	45	2,75	160	2320	180	2610	200	2900	2500	400	153	6.02	74,9	2.95	M33x2	M27x2

YBHP2.5A2



“D” and “d” ports are machine in compliance with threaded port with threaded ports with O-ring seal in truncated housing SAE J1926/1 (ISO J1926-1).

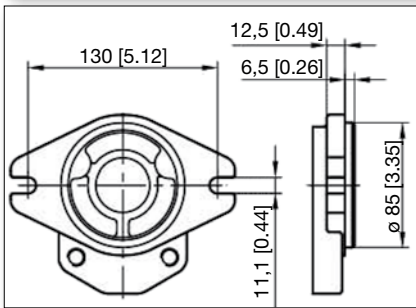
To mount the pump, n. 4 M12 screws, with a torque wrench setting fixed at 130...135 Nm [96.2...99.9 lb/ft].



Type	Displacement		Max pressure						Max speed r/min	Min speed r/min	Dimension					
	cm ³ /rev	inc/	P1		P2		P3				M		L		D	d
			bar	PSI	bar	PSI	bar	PSI			mm	inch	mm	inch		
YBHP2.5A2-D-10	10	0,61	250	3625	270	3915	290	4205	4000	800	110	4.33	53,3	2.10	1 1/16-12UNF	7/8-14UNF
YBHP2.5A2-D-12.5	12,5	0,76	250	3625	270	3915	290	4205	4000	800	113	4.45	54,8	2.16	1 1/16-12UNF	7/8-14UNF
YBHP2.5A2-D-14	14	0,85	250	3625	270	3915	290	4205	4000	700	115	4.53	55,8	2.20	1 1/16-12UNF	7/8-14UNF
YBHP2.5A2-D-16	16	0,98	250	3625	270	3915	290	4205	3500	700	118	4.65	57,1	2.25	1 1/16-12UNF	7/8-14UNF
YBHP2.5A2-D-18	18	1,10	250	3625	270	3915	290	4205	3500	600	120	4.72	58,3	2.30	1 1/16-12UNF	7/8-14UNF
YBHP2.5A2-D-19	19	1,16	250	3625	270	3915	290	4205	3500	600	121	4.76	58,8	2.31	1 1/16-12UNF	7/8-14UNF
YBHP2.5A2-D-20	20	1,22	250	3625	270	3915	290	4205	3000	500	123	4.84	59,6	2.35	1 1/16-12UNF	7/8-14UNF
YBHP2.5A2-D-23	23	1,40	230	3335	250	3625	260	3770	3500	500	126	4.96	61,3	2.41	1 1/16-12UNF	7/8-14UNF
YBHP2.5A2-D-25	25	1,53	230	3335	250	3625	260	3770	3500	500	129	5.08	62,6	2.46	1 5/16-12UNF	1 1/16-12UNF
YBHP2.5A2-D-26,5	26,5	1,62	230	3335	250	3625	260	3770	3500	500	131	5.16	63,6	2.50	1 5/16-12UNF	1 1/16-12UNF
YBHP2.5A2-D-28	28	1,71	230	3335	250	3625	260	3770	3500	500	133	5.24	64,6	2.54	1 5/16-12UNF	1 1/16-12UNF
YBHP2.5A2-D-30	30	1,83	230	3335	250	3625	260	3770	3000	400	135	5.31	65,6	2.58	1 5/16-12UNF	1 1/16-12UNF
YBHP2.5A2-D-32	32	1,95	200	2900	230	3335	250	3625	3000	400	138	5.43	67,1	2.64	1 5/16-12UNF	1 1/16-12UNF
YBHP2.5A2-D-36	36	2,20	200	2900	230	3335	250	3625	2750	400	142	5.59	69,1	2.72	1 5/16-12UNF	1 1/16-12UNF
YBHP2.5A2-D-40	40	2,44	160	2320	180	2610	200	2900	2500	400	148	5.83	71,6	2.82	1 5/16-12UNF	1 1/16-12UNF
YBHP2.5A2-D-45	45	2,75	160	2320	180	2610	200	2900	2500	400	153	6.02	74,9	2.95	1 5/16-12UNF	1 1/16-12UNF

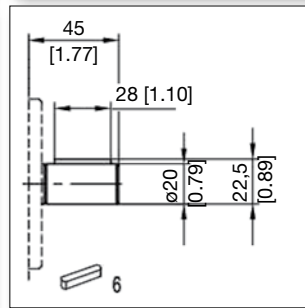
YBAP2.5 (YBHP2.5)

FRONT COVER



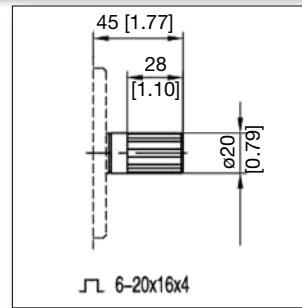
AO

SHAFTS



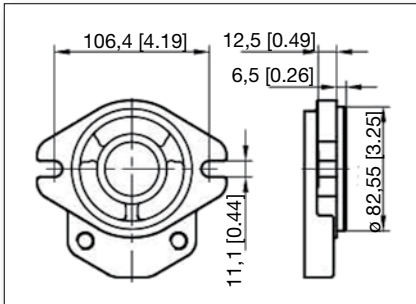
CO

Max Torque 200 Nm
[148 lb/ft].

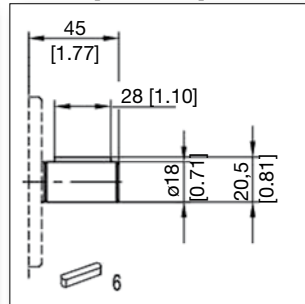


HO

Max Torque 240 Nm
[177.6 lb/ft].

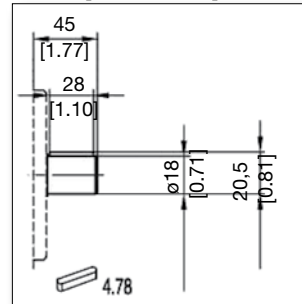


A1



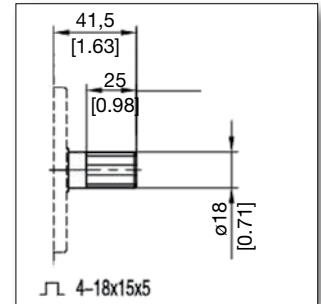
C1

Max Torque 180 Nm
[133.2 lb/ft].



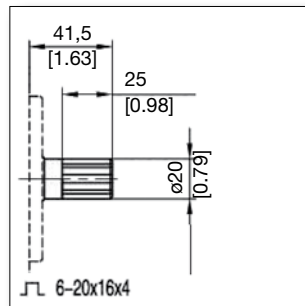
C2

Max Torque 190 Nm
[140.6 lb/ft].



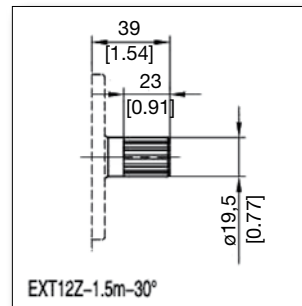
H1

Max Torque 200 Nm
[148 lb/ft].



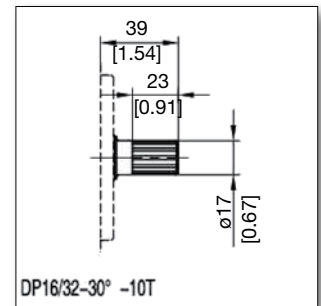
H2

Max Torque 240 Nm
[177.6 lb/ft].



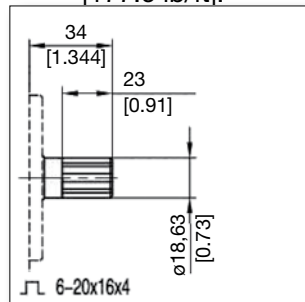
SO

Max Torque 220 Nm
[162.8 lb/ft].



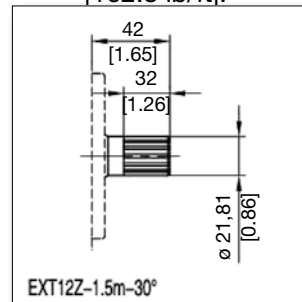
S1

Max Torque 200 Nm
[148 lb/ft].



H2

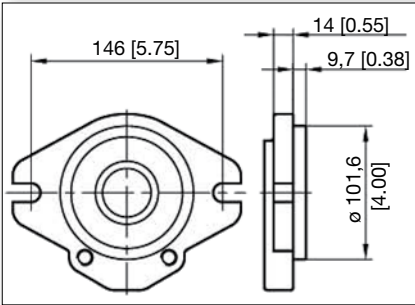
Max Torque 210 Nm
[155.4 lb/ft].



SO

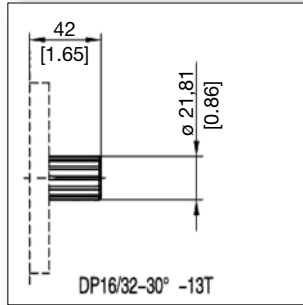
Max Torque 300 Nm
[222 lb/ft].

FRONT COVER



A2

SHAFTS

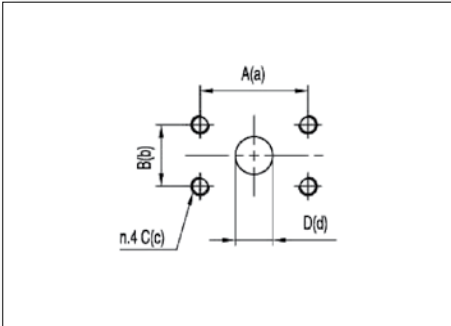


S3

Max Torque 300 Nm
[222 lb/ft].

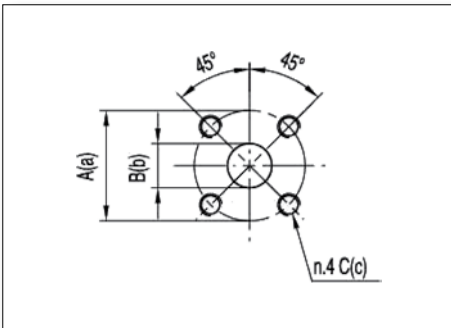
YBAP2.5 (YBHP2.5)

PORTS



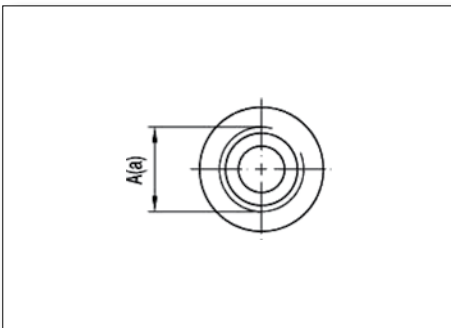
FO/F1

Type	PORT code	INLET				OUTLET				
		A	B	C	D	a	b	c	d	
YBA(H)P2,5...10 ÷ YBA(H)P2,5...45	F0	mm	47,6	22,2	M10x1.25	20	47,6	22,2	M10x1.25	13
		inch	1.87	0.87		0.79	1.87	0.87		0.51
YBA(H)P2,5...18 ÷ YBA(H)P2,5...45	F1	mm	52,4	26,2	M10x1.25	25	47,6	22,2	M10x1.25	20
		inch	2.06	1.03		0.98	1.87	0.87		0.79



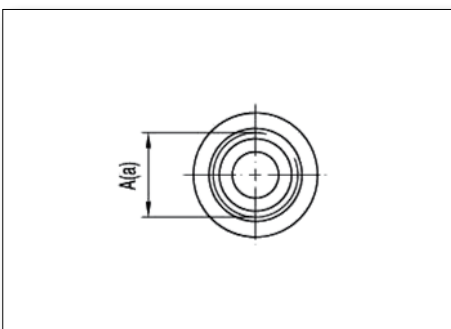
F2

Type	INLET			OUTLET			
	A	B	C	a	b	c	
YBA(H)P2.5...10 ÷ YBA(H) P2.5...16	mm	55	20	M8	55	13	M8
	inch	2.17	0.79		2.17	0.51	
YBA(H)P2,5...18 ÷ YBA(H) P2,5...45	mm	55	25	M8	55	20	M8
	inch	2.17	0.98		2.17	0.79	



Z0/Z1/Z2

Type	PORT code	INLET	OUTLET
		A	a
YBA(H)P2,5...10 ÷ YBA(H)P2,5...14	Z0	M22x1,5	M18x1,5
YBA(H)P2,5...16 ÷ YBA(H)P2,5...20	Z0	M27x2	M22x1,5
YBA(H)P2,5...23 ÷ YBA(H)P2,5...45	Z1	M33x2	M27x2

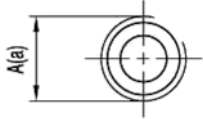


U0/U1

Type	PORT code	INLET	OUTLET
		A	a
YBA(H)P2,5...10 ÷ YBA(H)P2,5...23	U0	1 1/16-12UNF	7/8-14UNF
YBA(H)P2,5...25 ÷ YBA(H)P2,5...45	U1	1 5/16-12UNF	1 1/16-12UNF

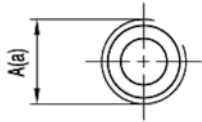
PORTS

Z0/Z1/Z2



Type	PORT code	INLET	OUTLET
		A	a
YBA(H)P2,5...10 ÷ YBA(H)P2,5...23	L0	G 3/4	G 1/2
YBA(H)P2,5...25 ÷ YBA(H)P2,5...45	L1	G1	G 3/4

Z0/Z1/Z2



Type	PORT code	INLET	OUTLET
		A	a
YBA(H)P2,5...10 ÷ YBA(H)P2,5...23	R0	PT 3/4	PT 1/2
YBA(H)P2,5...25 ÷ YBA(H)P2,5...45	R1	PT 1	PT 3/4

YBDP2.5

HOW TO ORDER

YBD	P	2.5	Front Cover	Rotation	Size	Shaft	Ports	Port position	Seals	Options
Series	Pump	Group	A0	D	23					
				Clockwise	25					
				S	26.5					
				Courter	28					
				Clockwise	30					
				R	32					
				Reversible	36					

PORTS POSITION

Omit Side	Inlet and side outlet
A	Front inlet and front outlet
B	Back inlet and front outlet
C	Back inlet and side outlet
D	Side inlet and front outlet
R	Back inlet and back outlet

SEALS

Omit	Range between -10°C and +80°C, inlet pressure up to max. 3 bar absolute.
V	Version suitable for fluid at hi-temperatures, range between -10°C and +120°C
H	Version suitable for fluid at low-temperature, range between -40°C and +80°C
T	Version suitable for inlet pressure up to max 3 and 6 bar absolute.
N	Version suitable for inlet pressure up to max 3 and 10 bar absolute.

EXAMPLE

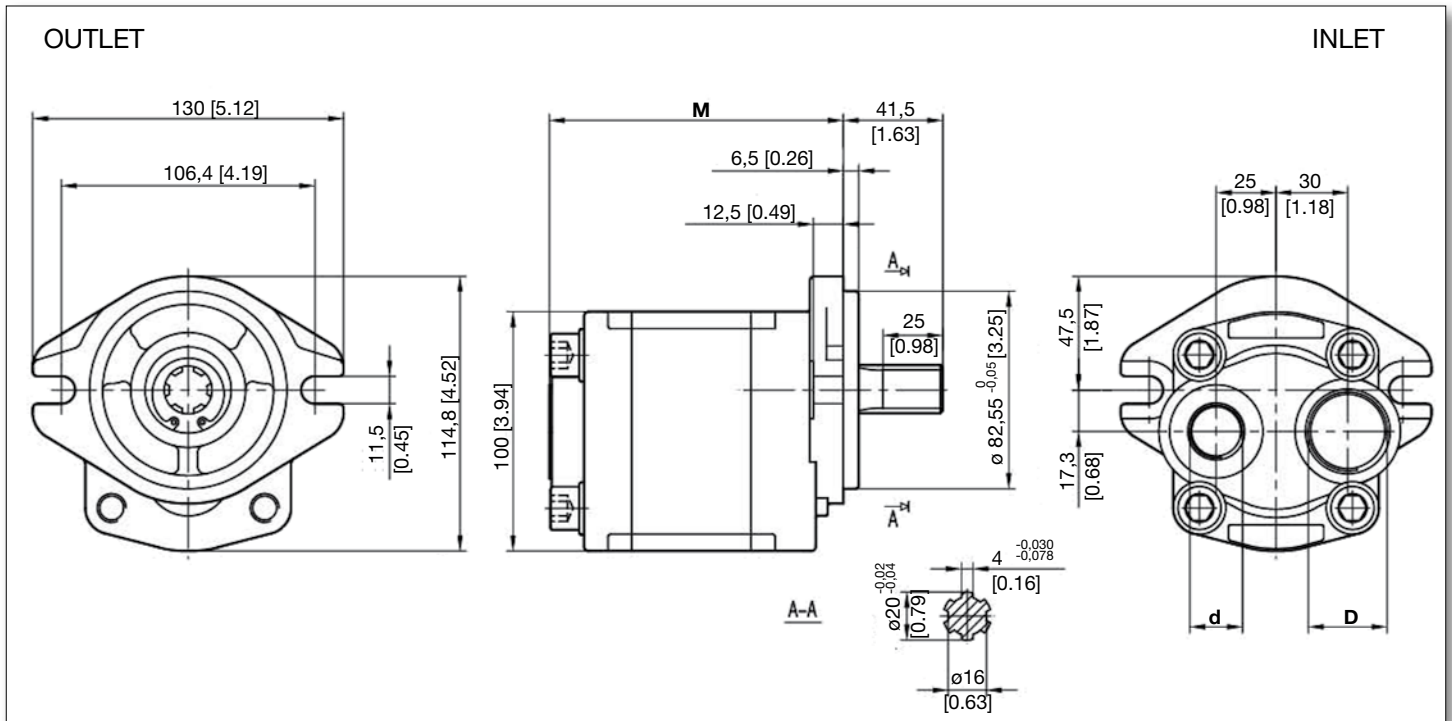
YBDP2.5-A0-D-23-CO-Z0-R

clockwise rotation, 23 cc/rev, A0 front cover, C0 parallel shaft, setting ports Z0 type, Ports position (R), standard seals

YBDP2.5A0-R



G1 thread depth 21.
 G 1/2 thread depth 16.
 To mount the pump, n. 4 M12 screws, with
 a torque wrench setting fixed at 75...80 Nm
 [55.5...59.2 lb/ft].



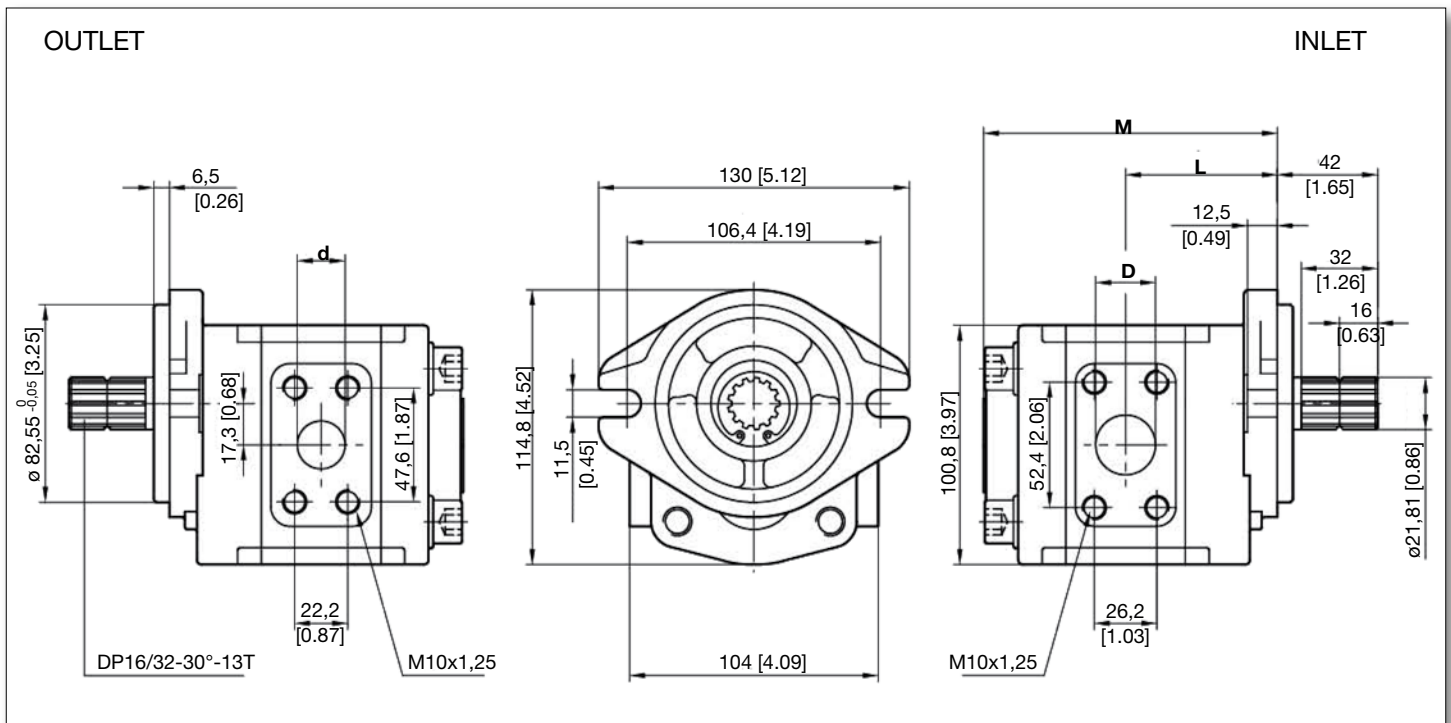
Type	Displacement		Max pressure						Max speed r/min	Min speed r/min	Dimension			
	cm ³ /rev	inc/	P1		P2		P3				M		D	d
			bar	PSI	bar	PSI	bar	PSI			mm	inch		
YBDP2.5A0-D-23-R	23	1.40	230	3335	250	3625	260	3770	3500	600	118	4.65	G1	G 1/2
YBDP2.5A0-D-25-R	25	1.53	230	3335	250	3625	260	3770	3500	600	120	4.72	G1	G 1/2
YBDP2.5A0-D-26,5-R	26,5	1.62	230	3335	250	3625	260	3770	3500	600	122	4.80	G1	G 1/2
YBDP2.5A0-D-28-R	28	1.71	230	3335	250	3625	260	3770	3500	600	124	4.88	G1	G 1/2
YBDP2.5A0-D-30-R	30	1.83	230	3335	250	3625	260	3770	3000	600	126	4.96	G1	G 1/2
YBDP2.5A0-D-32-R	32	1.95	200	2900	230	3335	250	3625	3000	600	129	5.08	G1	G 1/2
YBDP2.5A0-D-36-R	36	2.20	200	2900	230	3335	250	3625	2750	500	133	5.24	G1	G 1/2
YBDP2.5A0-D-40-R	40	2.44	160	2320	180	2610	200	2900	2500	500	138	5.43	G1	G 1/2

YBDP2.5A0



M10X1,25 threaded depth 15

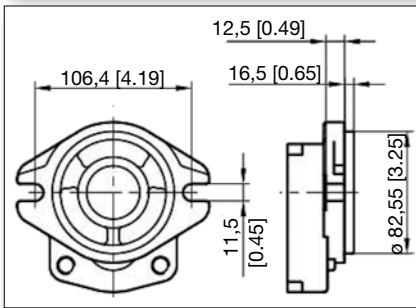
To mount the pump, n. 4 M12 screws, with a torque wrench setting fixed at 75...80 Nm [55.5...59.2 lb/ft].



Type	Displacement		Max pressure						Max speed	Min speed	Dimension							
	cm ³ /rev	inc/	P1		P2		P3				M		L		D		d	
			bar	PSI	bar	PSI	bar	PSI	r/min	r/min	mm	inch	mm	inch	mm	inch	mm	inch
YBDP2.5A0-D-23	23	1.40	230	3335	250	3625	260	3770	3500	600	118	4.65	60,5	2.38	25	0.98	20	0.79
YBDP2,5A0-D-25	25	1.53	230	3335	250	3625	260	3770	3500	600	120	4.72	61,8	2.43	25	0.98	20	0.79
YBDP2,5A0-D-26,5	26,5	1.62	230	3335	250	3625	260	3770	3500	600	122	4.80	62,8	2.47	25	0.98	20	0.79
YBDP2,5A0-D-28	28	1.71	230	3335	250	3625	260	3770	3500	600	124	4.88	63,8	2.51	25	0.98	20	0.79
YBDP2,5A0-D-30	30	1.83	230	3335	250	3625	260	3770	3000	600	126	4.96	64,8	2.55	25	0.98	20	0.79
YBDP2,5A0-D-32	32	1.95	200	2900	230	3335	250	3625	3000	600	129	5.08	66,3	2.61	25	0.98	20	0.79
YBDP2,5A0-D-36	36	2.20	200	2900	230	3335	250	3625	2750	500	133	5.24	68,3	2.69	25	0.98	20	0.79
YBDP2,5A0-D-40	40	2.44	160	2320	180	2610	200	2900	2500	500	138	5.43	70,8	2.79	28	1.10	20	0.79

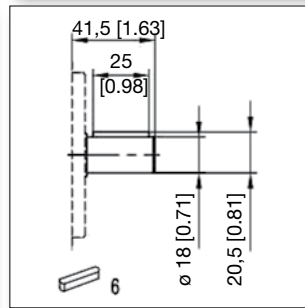
YBDP2.5 [YBAP2.5]

FRONT COVER



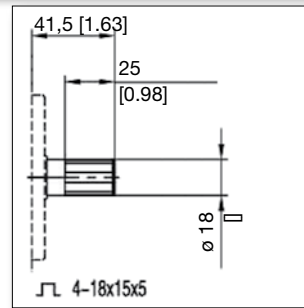
A0

SHAFTS



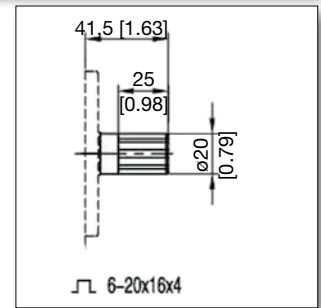
CO

Max Torque 180 Nm
[133.2 lb/ft].



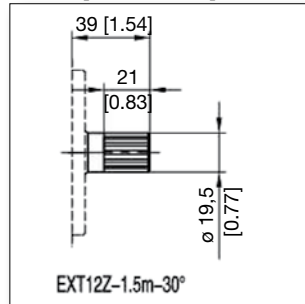
HO

Max Torque 200 Nm
[148 lb/ft].



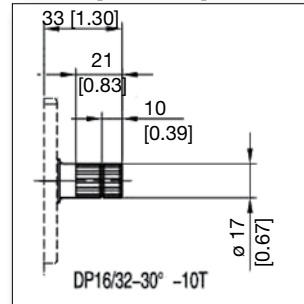
H1

Max Torque 240 Nm
[177.6 lb/ft].



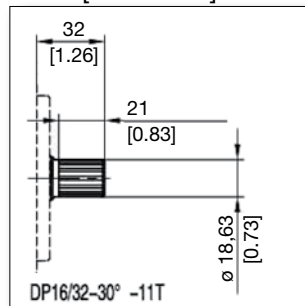
SO

Max Torque 220 Nm
[162.8 lb/ft].



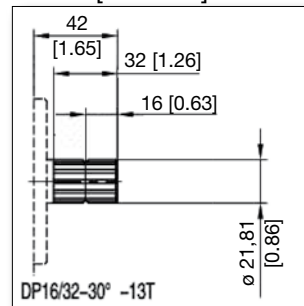
S1

Max Torque 200 Nm
[148 lb/ft].



S2

Max Torque 210 Nm
[155.4 lb/ft].

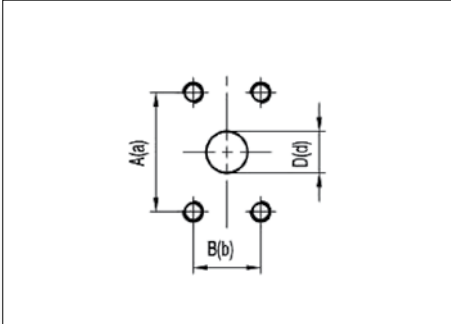


S3

Max Torque 300 Nm
[222 lb/ft].

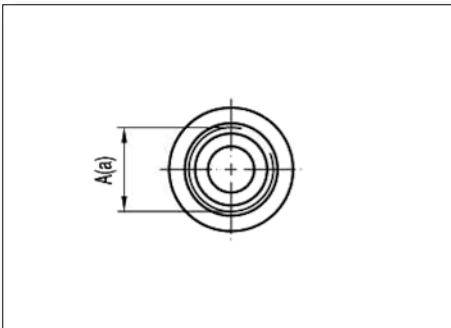
YBDP2.5 [YBAP2.5]

PORTS



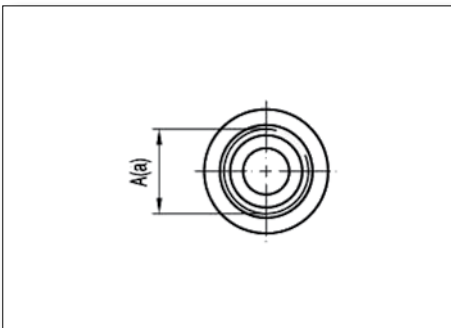
FO

Type		INLET				OUTLET			
		A	B	C	D	a	b	c	d
YBDP2,5...23 ÷ YBDP2,5...36	mm	52,4	26,2	M10x1,25	25	47,6	22,2	M10x1,25	20
	inch	2.06	1.03		0.98	1.87	0.87		0.79
YBDP2,5...40	mm	52,4	26,2	M10x1,25	28	47,6	22,2	M10x1,25	20
	inch	2.06	1.03		1.10	1.87	0.87		0.79



LO

Type	INLET	OUTLET
	A	a
YBDP2,5...23 ÷ YBDP2,5...40	G1	G 1/2



ZO

Type	INLET	OUTLET
	A	a
YBDP2,5...23 ÷ YBDP2,5...40	M33x2	M22x1,5

YBDP2.5 [YBAP2.5]

HOW TO ORDER

YBA	P	2.5	Front Cover	Rotation	Size	Shaft	Ports	Port position	Seals	Options
Series	Pump	Group	A0	D	10					
YBA- Front and end cover material aluminium			A1	Clockwise	12.5					
				S	14					
YBH- Front and end cover material cast iron, pressure than "YBA" series high 30 bar			A2	Courter	16					
				Clockwise	18					
				R	19					
				Reversible	20					
					23					
					25					
					26.5					
					28					
	30									
	32									
	36									
	40									
	45									

PORTS POSITION

Omit Side	Inlet and side outlet
A	Front inlet and front outlet
B	Back inlet and front outlet
C	Back inlet and side outlet
D	Side inlet and front outlet
R	Back inlet and back outlet

SEALS

Omit	Range between -10°C and +80°C inlet pressure up to max. 3 bar absolute.
V	Version suitable for fluid at hi-temperatures, range between -10°C and +120°C
H	Version suitable for fluid at low-temperature, range between -40°C and +80°C
T	Version suitable for inlet pressure up to max 3 and 6 bar absolute.
N	Version suitable for inlet pressure up to max 3 and 10 bar absolute.

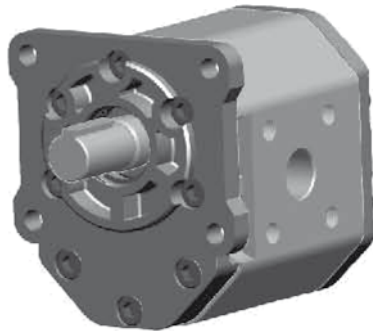
EXAMPLE

YBAP2.5-AO-D-10-CO-ZD

clockwise rotation, 10 cc/rev, AD front cover, C0 parallel shaft, setting, ports Z0 type, standard seals

YBHP3

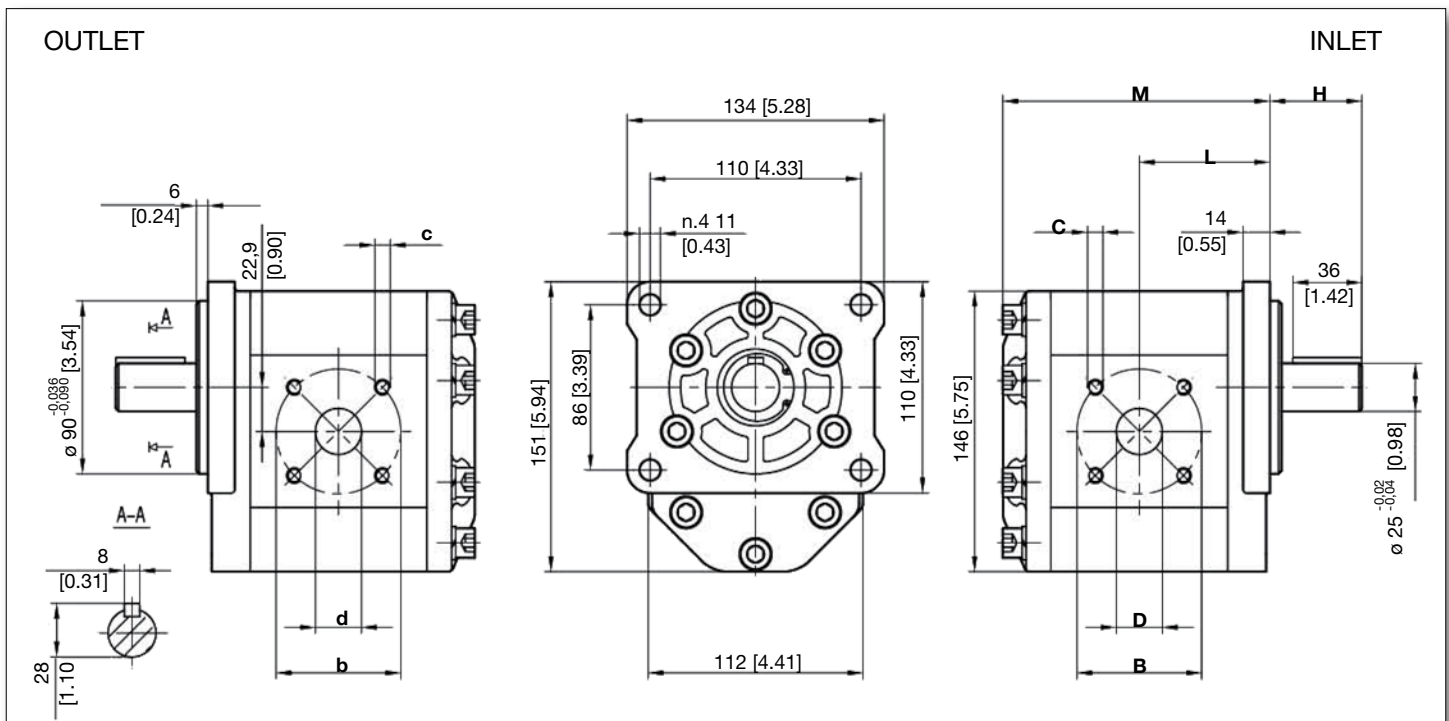
YBHP3BO



M10 thread depth 18.

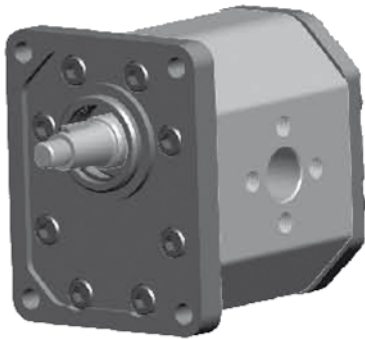
M8 thread depth 16.

To mount the pump, n. 8 M10 screws, with a torque wrench setting fixed at 47 ± 3 Nm [34.78 ± 3 lb/ft].



Type	Displacement		Max pressure						Max speed	Min speed	Dimension																			
	cm ³ /rev	inc/rev	P1		P2		P3				M	L	H	B		D		C	b		d		c							
			bar	PSI	bar	PSI	bar	PSI	r/min	r/min	mm	inch	mm	inch	mm	inch	mm	inch	mm	inch	mm	inch	mm	inch	mm	inch	mm	inch	mm	inch
YBHP3BO-D-20	20	1.22	250	3625	265	3843	280	4060	3500	600	128	5.04	63	2.48	48	1.89	50	1.97	20	0.79	M8	50	1.97	16.5	0.65	M8				
YBHP3BO-D-22	22	1.34	250	3625	265	3843	280	4060	3500	600	130	5.12	64	2.52	48	1.89	50	1.97	20	0.79	M8	50	1.97	16.5	0.65	M8				
YBHP3BO-D-26	26	1.59	250	3625	265	3843	280	4060	3000	600	133	5.24	65	2.56	48	1.89	50	1.97	20	0.79	M8	50	1.97	20	0.79	M8				
YBHP3BO-D-33	33	2.01	230	3335	250	3625	270	3915	3000	500	139	5.47	68	2.68	48	1.89	65	2.56	25	0.98	M8	65	2.56	20	0.79	M8				
YBHP3BO-D-39	39	2.38	230	3335	250	3625	270	3915	3000	500	146	5.75	72	2.83	48	1.89	65	2.56	25	0.98	M8	65	2.56	20	0.79	M8				
YBHP3BO-D-46	46	2.81	230	3335	250	3625	270	3915	3000	500	152	5.98	75	2.95	48	1.89	65	2.56	25	0.98	M8	65	2.56	20	0.79	M8				
YBHP3BO-D-50	50	3.05	220	3190	240	3480	260	3770	3000	500	156	6.14	77	3.03	51	2.01	76	2.99	33	1.30	M10	76	2.99	25	0.98	M10				
YBHP3BO-D-52	52	3.17	220	3190	240	3480	260	3770	3000	500	158	6.22	78	3.07	51	2.01	76	2.99	33	1.30	M10	76	2.99	25	0.98	M10				
YBHP3BO-D-55	55	3.36	200	2900	230	3335	250	3625	2800	400	160	6.30	79	3.11	51	2.01	76	2.99	33	1.30	M10	76	2.99	25	0.98	M10				
YBHP3BO-D-63	63	3.84	200	2900	230	3335	250	3625	2800	400	168	6.61	83	3.27	51	2.01	76	2.99	33	1.30	M10	76	2.99	25	0.98	M10				
YBHP3BO-D-71	71	4.33	180	2610	200	2900	220	3190	2500	400	175	6.89	86	3.39	51	2.01	76	2.99	33	1.30	M10	76	2.99	25	0.98	M10				

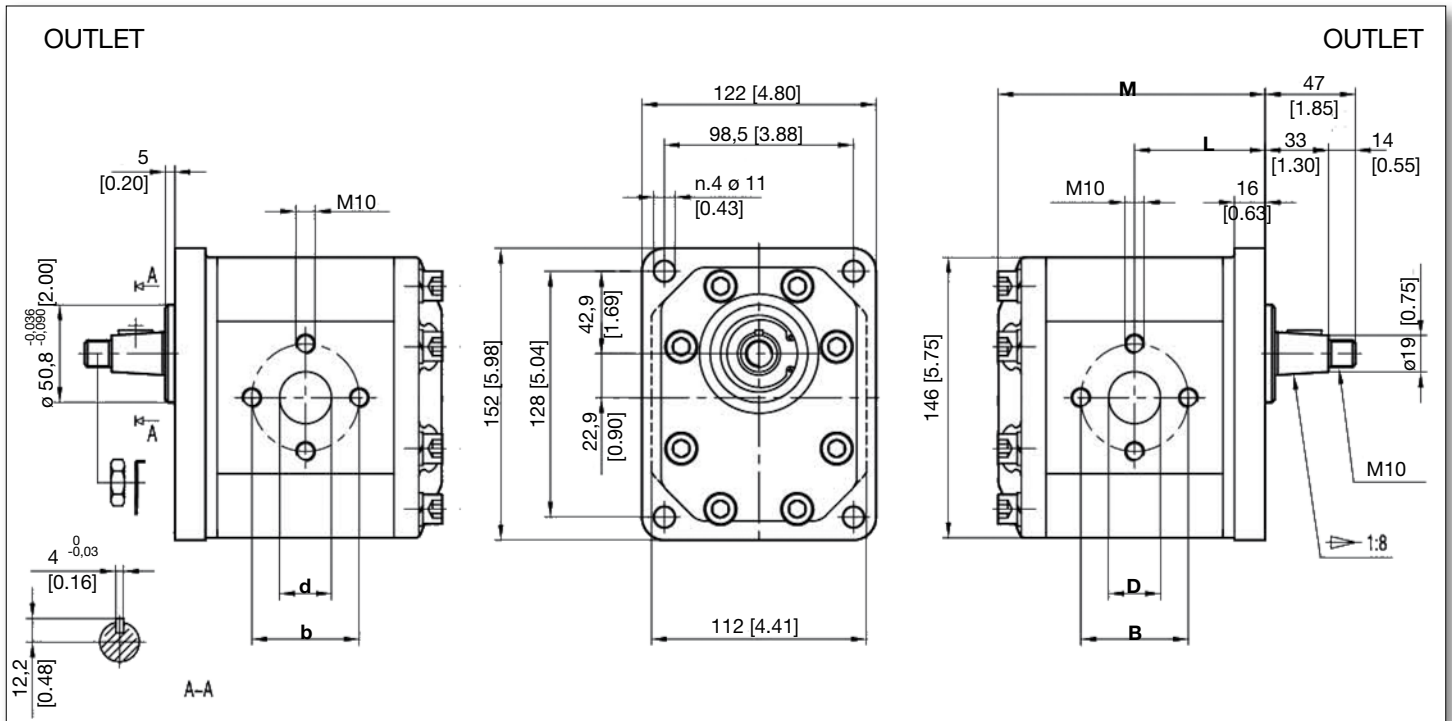
YBHP3B1



M10 thread depth 18.

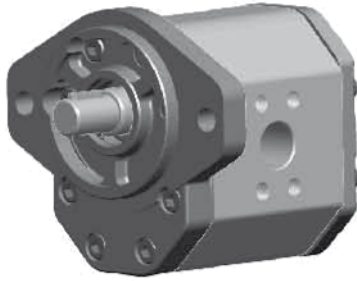
To mount the pump, n. 8 M10 screws, with a torque wrench setting fixed at 47 ± 3 Nm [34.78 ± 3 lb/ft].

Shaft M14x1,5 nut, whit a torque wrench setting fixed at 80 Nm [59.2 lb/ft].



Type	Displacement		Max pressure						Max speed	Min speed	Dimension											
	cm ³ /rev	inc/	P1		P2		P3				M		L		B		D		b		d	
			bar	PSI	bar	PSI	bar	PSI	r/min	r/min	mm	inch	mm	inch	mm	inch	mm	inch	mm	inch	mm	inch
YBHP3B1-D-20	20	1.22	250	3625	265	3843	280	4060	3500	600	128	5.04	63	2.48	56	2.20	27	1.06	56	2.20	19	0.75
YBHP3B1-D-22	22	1.34	250	3625	265	3843	280	4060	3500	600	130	5.12	64	2.52	56	2.20	27	1.06	56	2.20	19	0.75
YBHP3B1-D-26	26	1.59	250	3625	265	3843	280	4060	3000	600	133	5.24	65	2.56	56	2.20	27	1.06	56	2.20	19	0.75
YBHP3B1-D-33	33	2.01	230	3335	250	3625	270	3915	3000	500	139	5.47	68	2.68	56	2.20	27	1.06	56	2.20	19	0.75
YBHP3B1-D-39	39	2.38	230	3335	250	3625	270	3915	3000	500	146	5.75	72	2.83	56	2.20	27	1.06	56	2.20	19	0.75
YBHP3B1-D-46	46	2.81	230	3335	250	3625	270	3915	3000	500	152	5.98	75	2.95	51	2.01	27	1.06	51	2.01	27	1.06
YBHP3B1-D-50	50	3.05	220	3190	240	3480	260	3770	3000	500	156	6.14	77	3.03	56	2.20	27	1.06	56	2.20	27	1.06
YBHP3B1-D-52	52	3.17	220	3190	240	3480	260	3770	3000	500	158	6.22	78	3.07	56	2.20	27	1.06	56	2.20	27	1.06
YBHP3B1-D-55	55	3.36	200	2900	230	3335	250	3625	2800	400	160	6.30	79	3.11	62	2.44	33	1.30	51	2.01	27	1.06
YBHP3B1-D-63	63	3.84	200	2900	230	3335	250	3625	2800	400	168	6.61	83	3.27	62	2.44	33	1.30	51	2.01	27	1.06
YBHP3B1-D-71	71	4.33	180	2610	200	2900	220	3190	2500	400	175	6.89	86	3.39	62	2.44	33	1.30	51	2.01	27	1.06

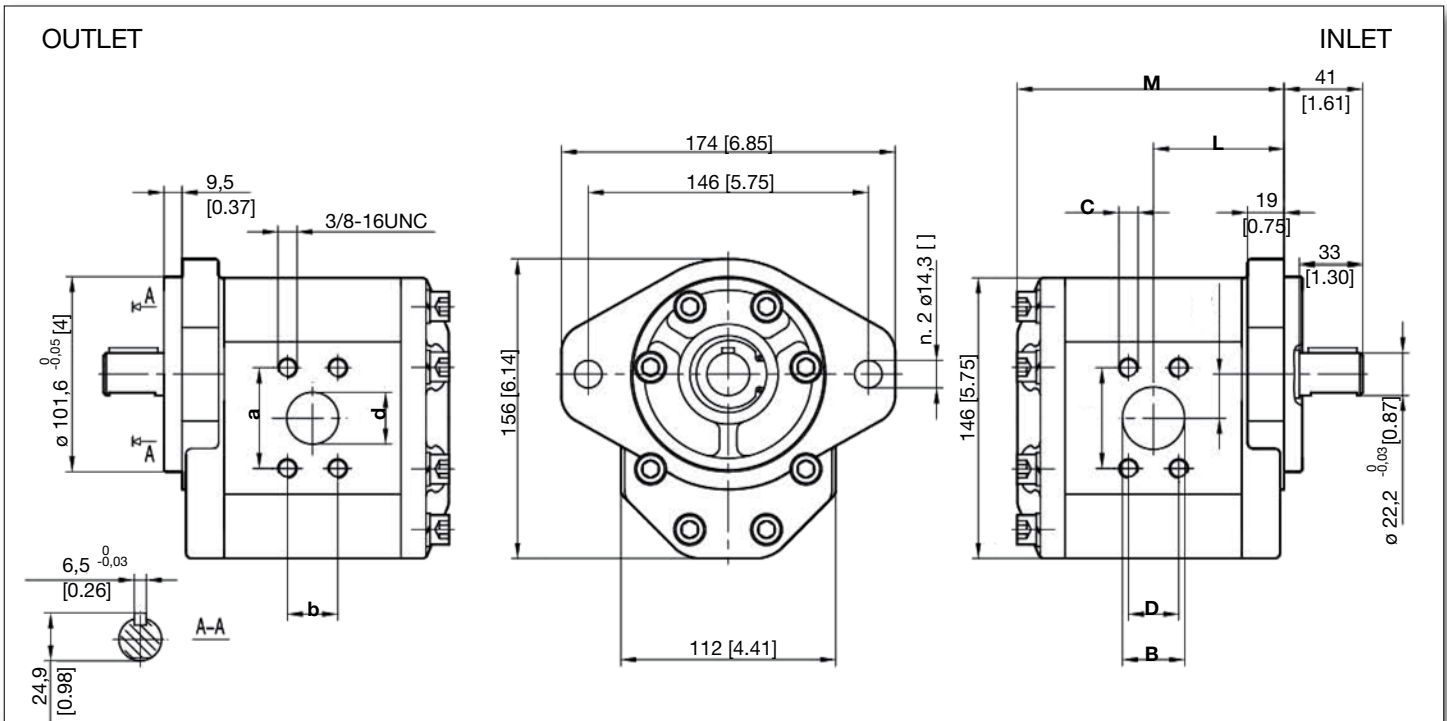
YBHP3A0



3/8-16 UNC thread depth 19.

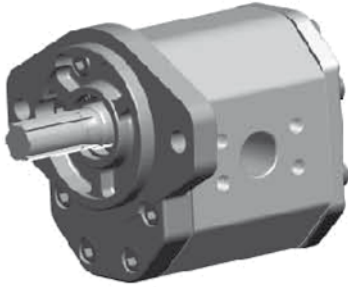
7/16-14 UNC thread depth 19.

To mount the pump, n. 8 M10 screws, with a torque wrench setting fixed at 47 ± 3 Nm [34.78 ± 3 lb/ft].

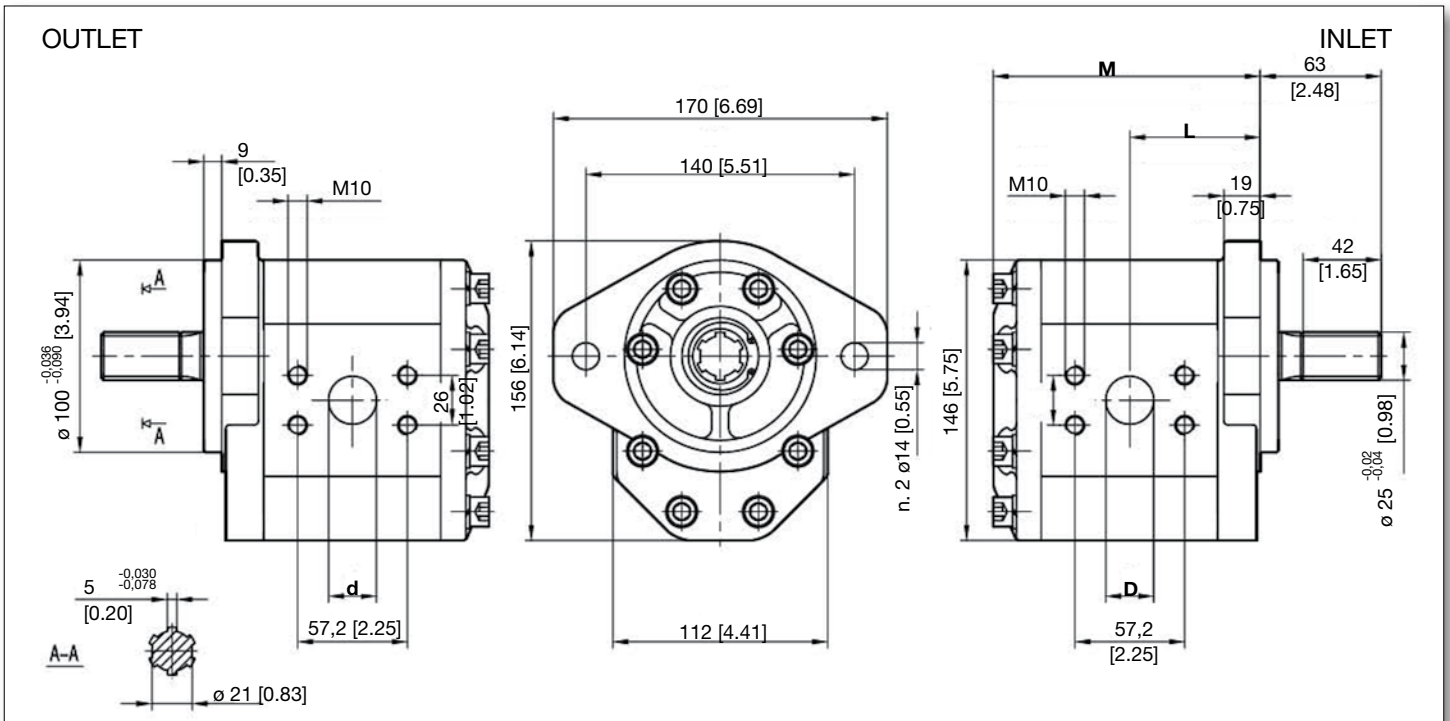


Type	Displacement		Max pressure						Max speed	Min speed	Dimension																
	cm ³ /rev	inc/rev	P1		P2		P3				M	L		A		B		C	D		a		b		d		
			bar	PSI	bar	PSI	bar	PSI	r/min	r/min	mm	inch	mm	inch	mm	inch	mm	inch	UNC	mm	inch	mm	inch	mm	inch	mm	inch
YBHP3A0-D-20	20	1.22	250	3625	265	3843	280	4060	3500	600	128	5.04	63	2.48	52,4	2.06	26,2	1.03	3/8	27	1,06	47,6	1,87	22,2	0,87	19	0,75
YBHP3A0-D-22	22	1.34	250	3625	265	3843	280	4060	3500	600	130	5.12	64	2.52	52,4	2.06	26,2	1.03	3/8	27	1,06	47,6	1,87	22,2	0,87	19	0,75
YBHP3A0-D-26	26	1.59	250	3625	265	3843	280	4060	3000	600	133	5.24	65	2.56	52,4	2.06	26,2	1.03	3/8	27	1,06	47,6	1,87	22,2	0,87	19	0,75
YBHP3A0-D-33	33	2.01	230	3335	250	3625	270	3915	3000	500	139	5.47	68	2.68	52,4	2.06	26,2	1.03	3/8	27	1,06	47,6	1,87	22,2	0,87	19	0,75
YBHP3A0-D-39	39	2.38	230	3335	250	3625	270	3915	3000	500	146	5.75	72	2.83	52,4	2.06	26,2	1.03	3/8	27	1,06	47,6	1,87	22,2	0,87	19	0,75
YBHP3A0-D-46	46	2.81	230	3335	250	3625	270	3915	3000	500	152	5.98	75	2.95	52,4	2.06	26,2	1.03	3/8	27	1,06	47,6	1,87	22,2	0,87	19	0,75
YBHP3A0-D-50	50	3.05	220	3190	240	3480	260	3770	3000	500	156	6.14	77	3.03	52,4	2.06	26,2	1.03	3/8	27	1,06	47,6	1,87	22,2	0,87	19	0,75
YBHP3A0-D-52	52	3.17	220	3190	240	3480	260	3770	3000	500	158	6.22	78	3.07	52,4	2.06	26,2	1.03	3/8	27	1,06	47,6	1,87	22,2	0,87	19	0,75
YBHP3A0-D-55	55	3.36	200	2900	230	3335	250	3625	2800	400	160	6.30	79	3.11	58,7	2.31	30,2	1.19	7/16	32	1,26	52,4	2,06	26,2	1,03	27	1,06
YBHP3A0-D-63	63	3.84	200	2900	230	3335	250	3625	2800	400	168	6.61	83	3.27	58,7	2.31	30,2	1.19	7/16	32	1,26	52,4	2,06	26,2	1,03	27	1,06
YBHP3A0-D-71	71	4.33	180	2610	200	2900	220	3190	2500	400	175	6.89	86	3.39	58,7	2.31	30,2	1.19	7/16	32	1,26	52,4	2,06	26,2	1,03	27	1,06

YBHP3A1



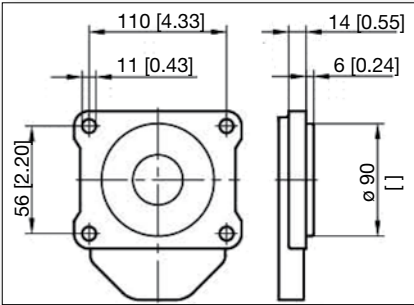
3/8-16 UNC thread depth 19.
 7/16-14 UNC thread depth 19.
 To mount the pump, n. 8 M10 screws, with a torque wrench setting fixed at 47 ± 3 Nm [34.78 ± 3 lb/ft].



Type	Displacement		Max pressure						Max speed	Min speed	Dimension							
	cm ³ /rev	inc/rev	P1		P2		P3				M		L		D		d	
			bar	PSI	bar	PSI	bar	PSI	r/min	r/min	mm	inch	mm	inch	mm	inch	mm	inch
YBHP3A1-D-20	20	1.22	250	3625	265	3843	280	4060	3500	600	128	5.04	63	2.48	25	0.98	20	0.79
YBHP3A1-D-25	25	1.53	250	3625	265	3843	280	4060	3000	600	133	5.24	65	2.56	25	0.98	20	0.79
YBHP3A1-D-32	32	1.95	230	3335	250	3625	270	3915	3000	500	139	5.47	68	2.68	30	1.18	20	0.79
YBHP3A1-D-40	40	2.44	230	3335	250	3625	270	3915	3000	500	146	5.75	72	2.83	35	1.38	20	0.79
YBHP3A1-D-50	50	3.05	220	3190	240	3480	260	3770	3000	500	156	6.14	77	3.03	35	1.38	25	0.98
YBHP3A1-D-63	63	3.84	200	2900	230	3335	250	3625	2800	400	168	6.61	83	3.27	35	1.38	25	0.98

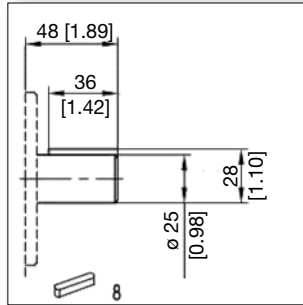
YBHP3

FRONT COVER



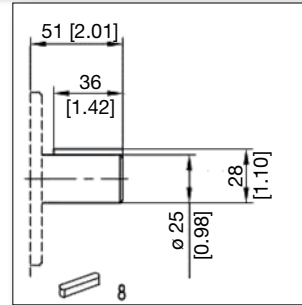
B0

SHAFTS



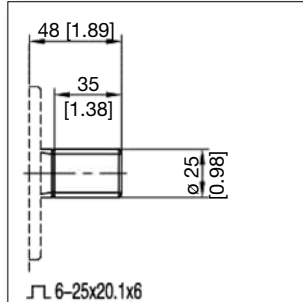
C0

Max Torque 450 Nm
[333 lb/ft].



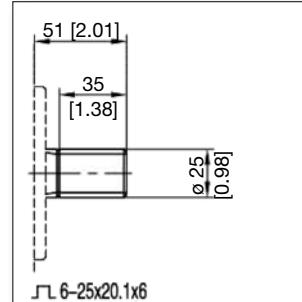
C1

Max Torque 450 Nm
[333 lb/ft].



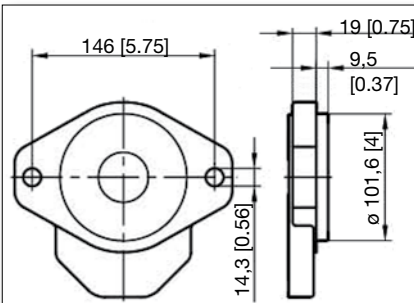
H0

Max Torque 500 Nm
[370 lb/ft].

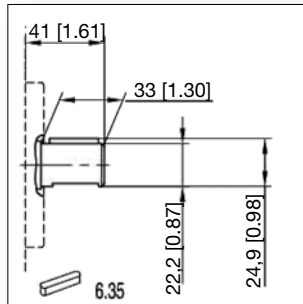


H1

Max Torque 500 Nm
[370 lb/ft].

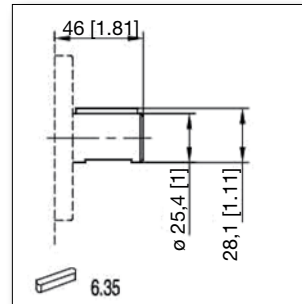


B0



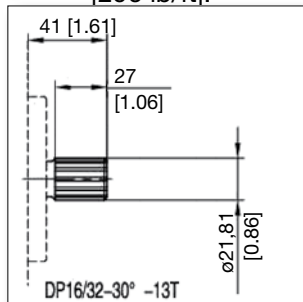
C2

Max Torque 400 Nm
[296 lb/ft].



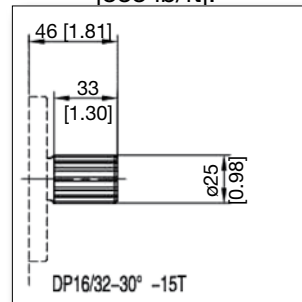
C3

Max Torque 450 Nm
[333 lb/ft].



S0

Max Torque 500 Nm
[370 lb/ft].

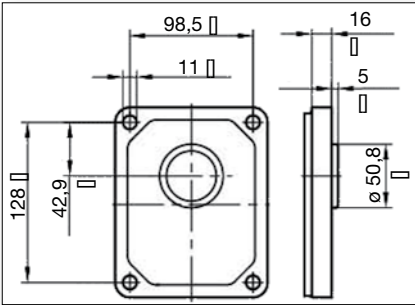


S1

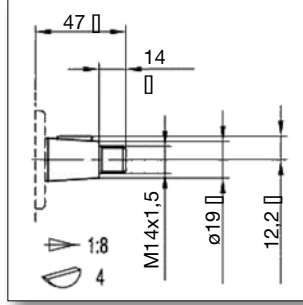
Max Torque 600 Nm
[444 lb/ft].

FRONT COVER

SHAFTS

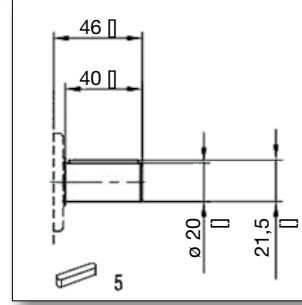


B1



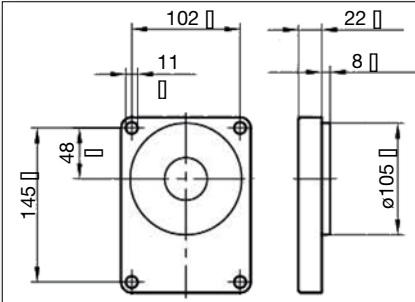
T0

Max Torque 300 Nm
[222 lb/ft].

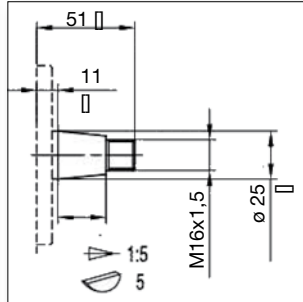


C4

Max Torque 350 Nm
[259 lb/ft].

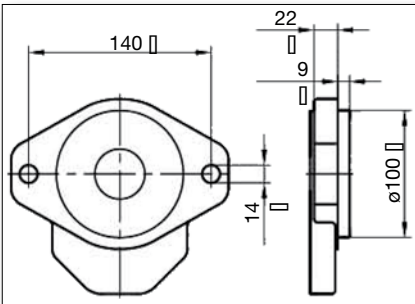


B2

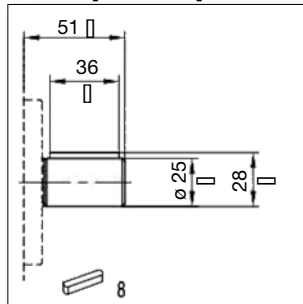


T1

Max Torque 350 Nm
[259 lb/ft].

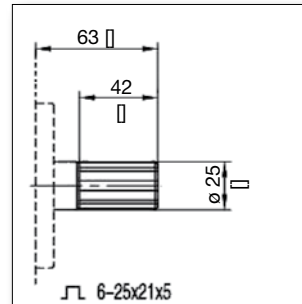


A1



C1

Max Torque 450 Nm
[333 lb/ft].



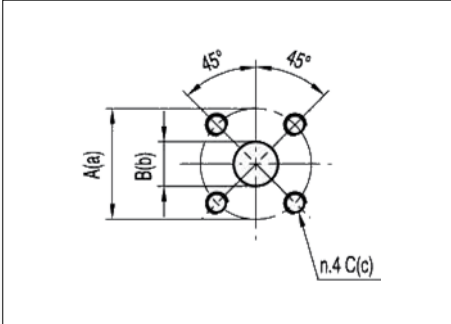
H2

Max Torque 500 Nm
[370 lb/ft].

YBHP3

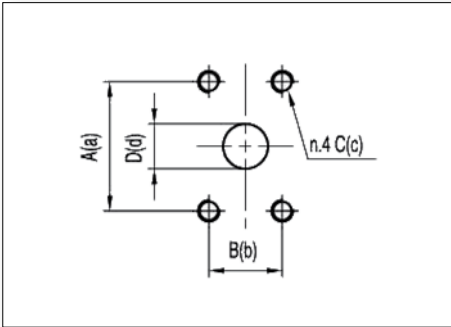
PORTS

FO/F1/F2/F3



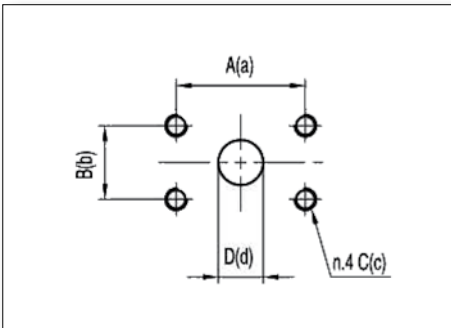
Type	PORT code	INLET			OUTLET			
		A	B	D	a	b	d	
YBHP3...20 ÷ YBHP3...26	F0	mm	50	20	M8	50	20	M8
		inch	1.97	0.79		1.97	0.79	
YBHP3...33 ÷ YBHP3...46	F1	mm	65	25	M8	65	20	M8
		inch	2.56	0.98		2.56	0.98	
YBHP3...50 ÷ YBHP3...71	F2	mm	76	33	M10	76	25	M10
		inch	2.99	1.30		2.99	0.98	
YBHP3...50 ÷ YBHP3...63	F3	mm	76	33	M8	76	25	M8
		inch	2.99	1.30		2.99	0.98	

FO/F1/F2/F3



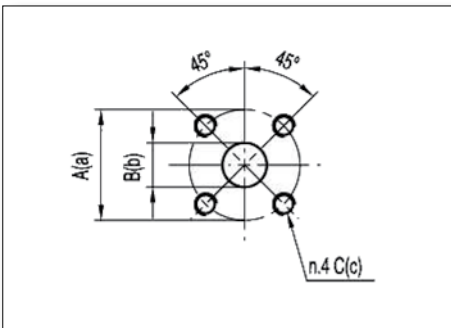
Type	PORT code	INLET				OUTLET				
		A	B	C	D	a	b	c	d	
YBDP3...20 ÷ YBDP3...52	F4	mm	52.4	26.2	3/8-16UNC	27	47.6	22.2	3/8-16UNC	19
		inch	2.06	1.03		1.06	1.87	0.87		0.75
YBDP3...55 ÷ YBDP3...71	F5	mm	58,7	30,2	7/16-16UNC	33	52,4	26,2	3/8-16UNC	27
		inch	2.31	1.19		1.30	2.06	1.03		1.06

FO/F1/F2/F3



Type		INLET				OUTLET			
		A	B	C	D	a	b	c	d
YBHP3...20 ÷ YBHP3...25	mm	57,2	26	M10	25	57,2	26	M10	20
	inch	2.25	1.02		0.98	2.25	1.02		0.79
YBHP3...32	mm	57,2	26	M10	30	57,2	26	M10	20
	inch	2.25	1.02		1.18	2.25	1.02		0.79
YBHP3...40	mm	57,2	26	M10	35	57,2	26	M10	20
	inch	2.25	1.02		1.38	2.25	1.02		0.79
YBHP3...50 ÷ YBHP3...63	mm	57,2	26	M10	35	57,2	26	M10	25
	inch	2.25	1.02		1.38	2.25	1.02		0.98

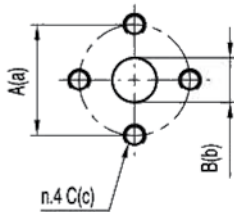
FO/F1/F2/F3



Type		INLET			OUTLET		
		A	B	D	a	b	d
YBDP3...20 ÷ YBDP3...71	mm	55	27	M8	55	19	M8
	inch	2.17	1.06		2.17	0.75	

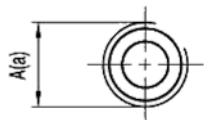
PORTS

E0/E1/E2/E3



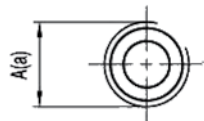
Type	PORT code		INLET			OUTLET		
			A	B	D	a	b	d
YBHP3...20 ÷ YBHP3...39	E0	mm	56	27	M10	56	19	M10
		inch	2,20	1,06		2,20	0,75	
YBHP3...46	E1	mm	51	27	M10	61	27	M10
		inch	2,01	1,06		2,40	1,06	
YBHP3...50 ÷ YBHP3...52	E2	mm	56	27	M10	56	27	M10
		inch	2,20	1,06		2,20	1,06	
YBHP3...55 ÷ YBHP3...71	E3	mm	62	33	M10	51	27	M10
		inch	2,44	1,30		2,01	1,06	

L0/L1/L2/L3



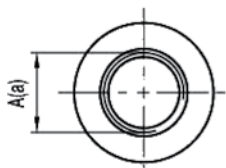
Type	PORT code		INLET	OUTLET
			A	d
YBHP3...20 ÷ YBHP3...22	L0	mm	G 3/4	G 3/4
YBHP3...26 ÷ YBHP3...39	L1	mm	G 1	G 3/4
YBHP3...46 ÷ YBHP3...63	L2	mm	G 1 1/4	G 1
YBHP3...71	L3	mm	G 1 1/2	G 1 1/4

R0/R1/R2/R3



Type	PORT code		INLET	OUTLET
			A	d
YBHP3...20 ÷ YBHP3...22	R0	mm	PT 3/4	PT 3/4
YBHP3...26 ÷ YBHP3...39	R1	mm	PT 1	PT 3/4
YBHP3...46 ÷ YBHP3...63	R2	mm	PT 1 1/4	PT 1
YBHP3...71	R3	mm	PT 1 1/2	PT 1 1/4

U0/U1/U2/U3



Type	PORT code		INLET	OUTLET
			A	d
YBHP3...20 ÷ YBHP3...33	U0	mm	1 5/16-12UNF	1 1/16-12UNF
YBHP3...39 ÷ YBHP3...52	U1	mm	1 5/8-12UNF	1 1/16-12UNF
YBHP3...55 ÷ YBHP3...71	U2	mm	1 7/8-12UNF	1 5/16-12UNF

YBHP3

HOW TO ORDER

YBA	P	3,5	Front Cover	Rotation	Size	Shaft	Ports	Port position	Seals	Options
Series	Pump	Group	Q0	D	40					
				Clockwise	50					
			Q1	S	63					
				Courter	71					
			A0	Clockwise	80					
				R	90					
			A1	Reversible	100					

PORTS POSITION

Omit Side	Inlet and side outlet
A	Front inlet and front outlet
B	Back inlet and front outlet
C	Back inlet and side outlet
D	Side inlet and front outlet
R	Back inlet and back outlet

SEALS

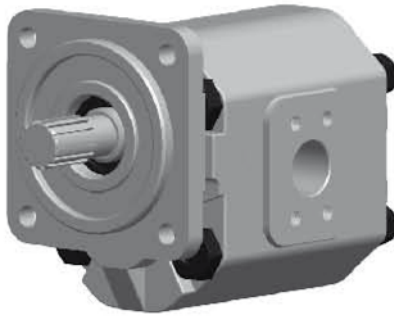
Omit	Range between -10°C and +80°C inlet pressure up to max. 3 bar absolute.
V	Version suitable for fluid at hi-temperatures, range between -10°C and +120°C
H	Version suitable for fluid at low-temperature, range between -40°C and +80°C
T	Version suitable for inlet pressure up to max 3 and 6 bar absolute.
N	Version suitable for inlet pressure up to max 3 and 10 bar absolute.

EXAMPLE

YBAP3,5-Q0-D-40-C0-F0

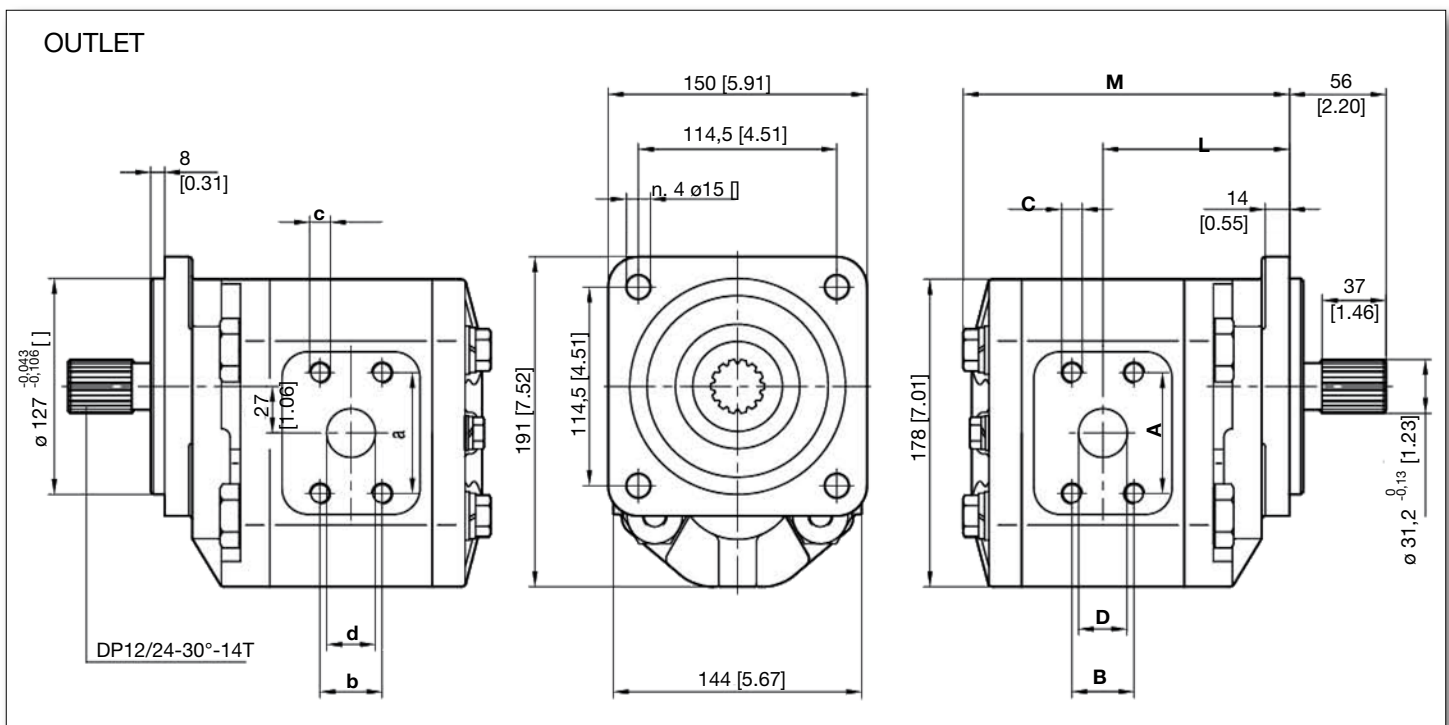
clockwise rotation, 40 cc/rev, Q0 front cover, C0 parallel shaft, setting, ports F0 type, standard seals

YBAP3,5Q1



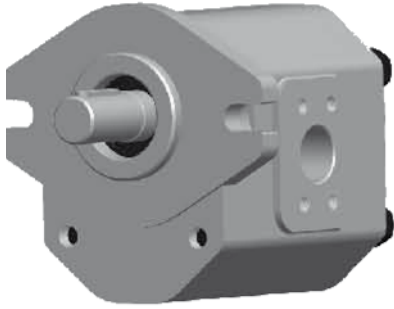
M8 thread depth 16.
M12 thread depth 20.
To mount the pump, n. 8 M14 screws, with
a torque wrench setting fixed at 185 ± 5 Nm
 $[136.9 \pm 3.7$ lb/ft].

INLET

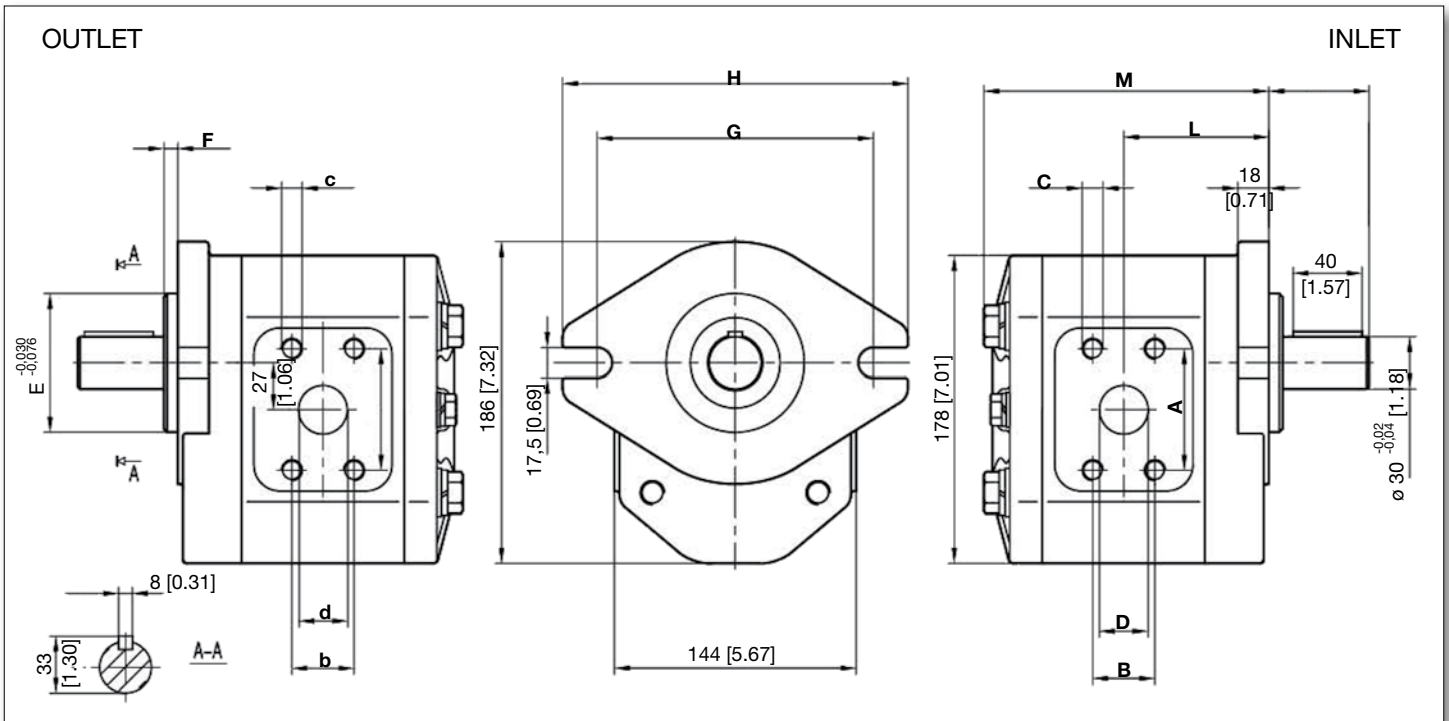


Type	Displacement		Max pressure						Max speed	Min speed	Dimension																	
	cm ³ /rev	inc/rev	P1		P2		P3				M	L	H	B		C	D		a	b	c	d						
			bar	PSI	bar	PSI	bar	PSI	r/min	r/min	mm	inch	mm	inch	mm	inch	mm	inch	mm	inch	mm	inch	mm	inch	mm	inch		
YBAP3.5Q1-D-40	40	2.44	250	3625	265	3843	280	4060	2750	500	189	7.44	108	4.25	48	1.89	22	0.87	M8	20	0.79	48	1.89	22	0.87	M8	20	0.79
YBAP3.5Q1-D-50	50	3.05	250	3625	265	3843	280	4060	2750	500	195	7.68	111	4.37	52	2.05	26	1.02	M10	25	0.98	48	1.89	22	0.87	M8	20	0.79
YBAP3.5Q1-D-63	63	3.84	250	3625	265	3843	280	4060	2750	500	203	7.99	115	4.53	60	2.36	30	1.18	M10	32	1.26	52	2.05	26	1.02	M10	25	0.98
YBAP3.5Q1-D-71	71	4.33	230	3335	250	3625	270	3915	2500	500	208	8.19	117	4.61	70	2.76	36	1.42	M12	35	1.38	60	2.36	30	1.18	M10	32	1.26
YBAP3.5Q1-D-80	80	4.88	230	3335	250	3625	270	3915	2500	500	213	8.39	120	4.72	70	2.76	36	1.42	M12	35	1.38	60	2.36	30	1.18	M10	32	1.26
YBAP3.5Q1-D-90	90	5.49	200	2900	230	3335	250	3625	2500	500	219	8.62	123	4.84	70	2.76	36	1.42	M12	40	1.57	60	2.36	30	1.18	M10	32	1.26
YBAP3.5Q1-D-100	100	6.10	200	2900	230	3335	250	3625	2500	500	225	8.86	126	4.96	70	2.76	36	1.42	M12	40	1.57	60	2.36	30	1.18	M10	32	1.26

YBAP3,5A0 (YBAP3,5A1)



M8 thread depth 16.
M12 thread depth 20.
To mount the pump, n. 8 M14 screws, with
a torque wrench setting fixed at 145 ± 5 Nm
 $[107.3 \pm 3.7$ lb/ft].

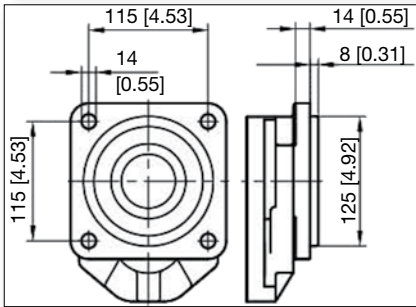


Type	Displacement		Max pressure						Max speed	Min speed
	cm ³ /rev	inc/	P1		P2		P3			
			bar	PSI	bar	PSI	bar	PSI	r/min	r/min
YBAP3.5A0-D-50	50	3.05	250	3625	265	3843	280	4060	2750	500
YBAP3.5A0-D-63	63	3.84	250	3625	265	3843	280	4060	2750	500
YBAP3.5A0-D-71	71	4.33	230	3335	250	3625	270	3915	2500	500
YBAP3.5A0-D-80	80	4.88	230	3335	250	3625	270	3915	2500	500
YBAP3.5A0-D-90	90	5.49	200	2900	230	3335	250	3625	2500	500
YBAP3.5A0-D-100	100	6.10	200	2900	230	3335	250	3625	2500	500

Type	Dimension																										
	M		L		E		F		G		H		A		B		C	D		a		b		c	d		
	mm	inch	mm	inch	mm	inch	mm	inch	mm	inch	mm	inch	mm	inch	mm	inch		mm	inch	mm	inch	mm	inch	mm	inch	mm	inch
YBAP3.5A0-D-50	171	6.73	87	3.43	80	3.15	8	0.31	160	6.30	200	7.87	60	2.36	30	1.18	M10	32	1.26	52	2.05	52	2.05	M8	25	0.98	
YBAP3.5A0-D-63	179	7.05	91	3.58	80	3.15	8	0.31	160	6.30	200	7.87	60	2.36	30	1.18	M10	32	1.26	52	2.05	52	2.05	M8	25	0.98	
YBAP3.5A0-D-71	184	7.24	93	3.66	80	3.15	8	0.31	160	6.30	200	7.87	60	2.36	36	1.42	M10	35	1.38	60	2.36	60	2.36	M10	28	1.10	
YBAP3.5A0-D-80	189	7.44	96	3.78	80	3.15	8	0.31	160	6.30	200	7.87	60	2.36	36	1.42	M10	35	1.38	60	2.36	60	2.36	M10	28	1.10	
YBAP3.5A0-D-90	195	7.68	99	3.90	80	3.15	8	0.31	160	6.30	200	7.87	60	2.36	36	1.42	M10	40	1.57	60	2.36	60	2.36	M10	32	1.26	
YBAP3.5A0-D-100	201	7.91	102	4.02	127	5.00	6,3	0.25	180	7.09	215	8.46	60	2.36	36	1.42	M10	40	1.57	60	2.36	60	2.36	M10	32	1.26	

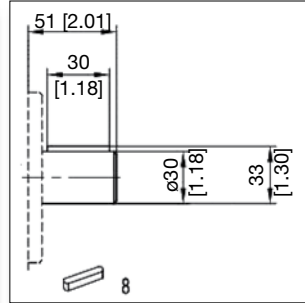
YBAP3.5

FRONT COVER



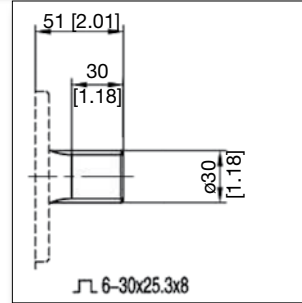
Q0

SHAFTS



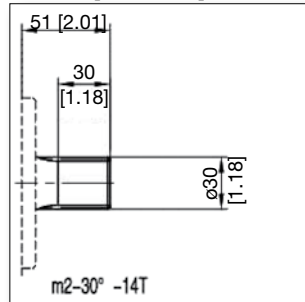
C0

Max Torque 600 Nm
[444 lb/ft].



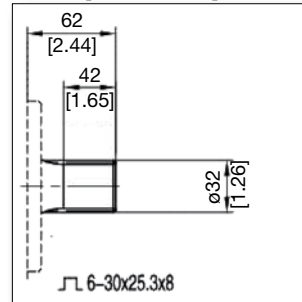
H0

Max Torque 720 Nm
[532.8 lb/ft].



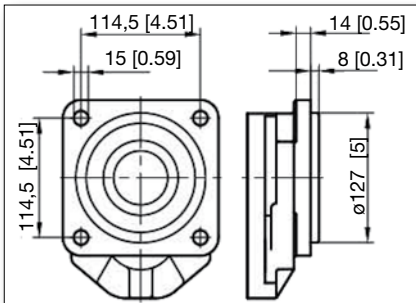
S0

Max Torque 900 Nm
[666 lb/ft].

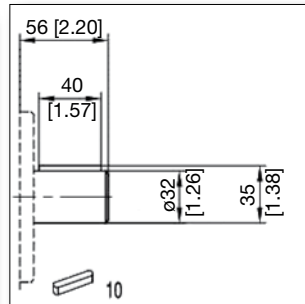


S1

Max Torque 980 Nm
[725.2 lb/ft].

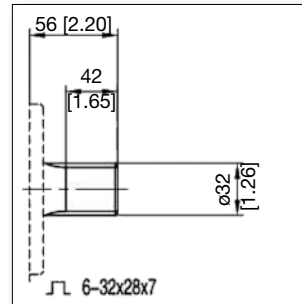


Q1



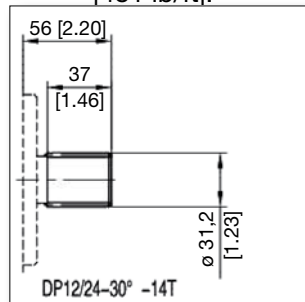
C2

Max Torque 650 Nm
[481 lb/ft].



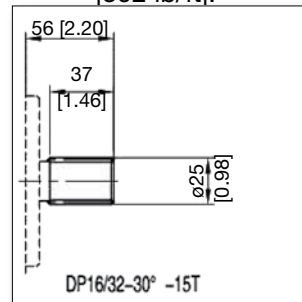
H2

Max Torque 800 Nm
[592 lb/ft].



S3

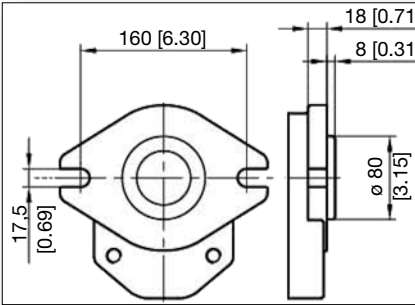
Max Torque 920 Nm
[680.8 lb/ft].



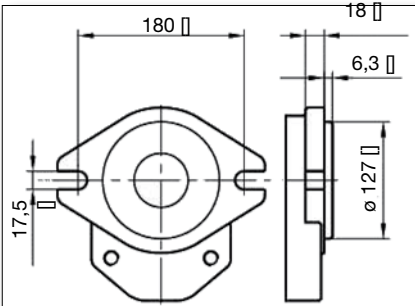
S4

Max Torque 600 Nm
[444 lb/ft].

FRONT COVER

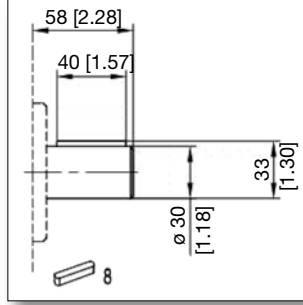


A0



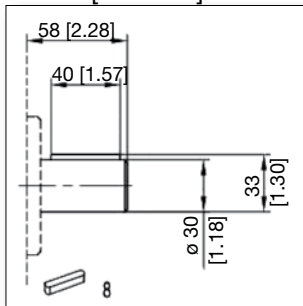
A1

SHAFTS



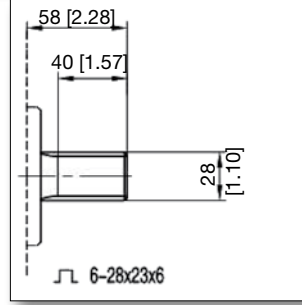
C1

Max Torque 600 Nm
[444 lb/ft].



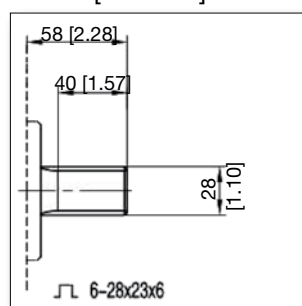
C1

Max Torque 600 Nm
[444 lb/ft].



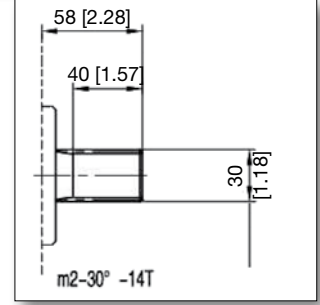
H1

Max Torque 600 Nm
[444 lb/ft].



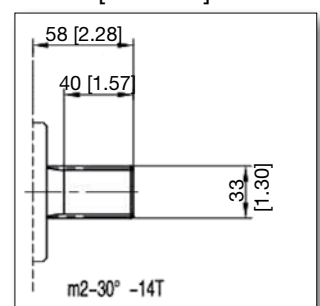
H1

Max Torque 600 Nm
[444 lb/ft].



S2

Max Torque 900 Nm
[666 lb/ft].



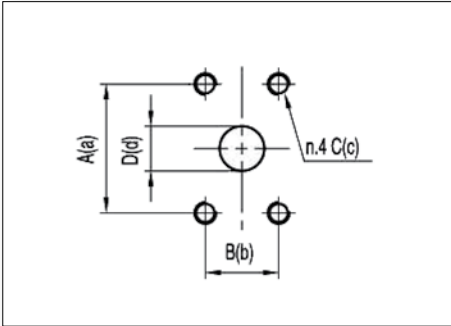
S2

Max Torque 900 Nm
[666 lb/ft].

YBAP3,5

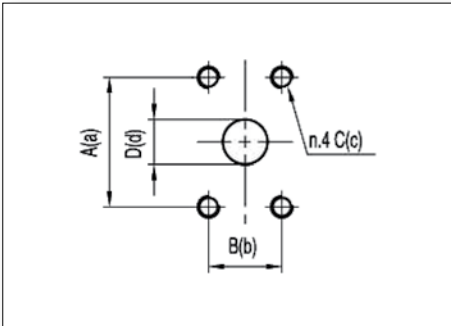
PORTS

FO/F1/F2/F3/F4



Type	PORT code		INLET				OUTLET			
			A	B	C	D	a	b	c	d
YBAP3,5...40	F0	mm	48	22	M8	20	48	22	M8	20
		inch	1.89	0.87		0.79	1.89	0.87		0.79
YBAP3,5...50	F1	mm	52	26	M10	25	48	22	M8	20
		inch	2.05	1.02		0.98	1.89	0.87		0.79
YBDP3,5...40 ÷ YBDP3,5...63	F2	mm	60	30	M10	32	52	26	M10	25
		inch	2.36	1.18		1.26	2.05	1.02		0.98
YBDP3,5...71 ÷ YBDP3,5...80	F3	mm	70	36	M12	35	60	30	M10	32
		inch	2.76	1.42		1.38	2.36	1.18		1.26
YBDP3,5...90 ÷ YBDP3,5...100	F4	mm	70	36	M12	40	60	30	M10	32
		inch	2.76	1.42		1.57	2.36	1.18		1.26

F5/F6



Type	PORT code		INLET				OUTLET			
			A	B	C	D	a	b	c	d
YBAP3,5...50 ÷ YBDP3,5...63	F0	mm	60	30	M10	32	52	26	M8	25
		inch	2.36	1.18		1.26	2.05	1.02		0.98
YBDP3,5...71 ÷ YBDP3,5...80	F6	mm	60	36	M10	35	60	36	M10	28
		inch	2.36	1.42		1.38	2.36	1.42		1.10
YBDP3,5...90 ÷ YBDP3,5...100	F6	mm	60	36	M10	40	60	36	M10	32
		inch	2.36	1.42		1.57	2.36	1.42		1.26

YBAP3,5

HOW TO ORDER

YBH	P	3	Front Cover	Rotation	Size	Shaft	Ports	Port position	Seals	Options
Series	Pump	Group	B0	D	20					
				Clockwise	22					
			B1	S	26					
				Courter	33					
			A0	Clockwise	39					
				R	46					
			A1	Reversible	50					
					52					
					55					
					63					
					71					

PORTS POSITION

- Omit Side** Inlet and side outlet
- A** Front inlet and front outlet
- B** Back inlet and front outlet
- C** Back inlet and side outlet
- D** Side inlet and front outlet
- R** Back inlet and back outlet

SEALS

- Omit** Range between -10°C and +80°C inlet pressure up to max. 3 bar absolute.
- V** Version suitable for fluid at hi-temperatures, range between -10°C and +120°C
- H** Version suitable for fluid at low-temperature, range between -40°C and +80°C
- T** Version suitable for inlet pressure up to max 3 and 6 bar absolute.
- N** Version suitable for inlet pressure up to max 3 and 10 bar absolute.

EXAMPLE

YBHP3-B0-D-20-C0-F0

clockwise rotation, 20 cc/rev, B0 front cover, C0 parallel shaft, setting, ports F0 type, standard seals

MULTIPLE PUMPS

HOW TO ORDER

YBH	P	2/2/2	Front Cover	Rotation	16/16/6	Shaft	Ports	Port position	Seals	Options
Series	Pump	Group	A0	D	Size					
			B0	Clockwise	3					
			B1	S	4					
			B2	Courter Clockwise	6					
			Q0	R	8					
			Q1	Reversible	10					
			Q2		12					
					14					
					16					
					18					
					20					
					22					
					25					
					28					
					30					

PORTS POSITION

- Omit Side** Inlet and side outlet
- A** Front inlet and front outlet
- B** Back inlet and front outlet
- C** Back inlet and side outlet
- D** Side inlet and front outlet
- R** Back inlet and back outlet

SEALS

- Omit** Range between -10°C and +80°C inlet pressure up to max. 3 bar absolute.
- V** Version suitable for fluid at hi-temperatures, range between -10°C and +120°C
- H** Version suitable for fluid at low-temperature, range between -40°C and +80°C
- T** Version suitable for inlet pressure up to max 3 and 6 bar absolute.
- N** Version suitable for inlet pressure up to max 3 and 10 bar absolute.

EXAMPLE

YBHP2/2/2-B0-D-16/6/6-T0-E0

clockwise rotation, group 2, front pump 16 cc/rev, middle pump 16 cc/rev, rear pump 6 cc/rev, B0 front cover 1:8 tapered shaft (T0), setting ports E0 type, standard seals

MULTIPLE PUMPS

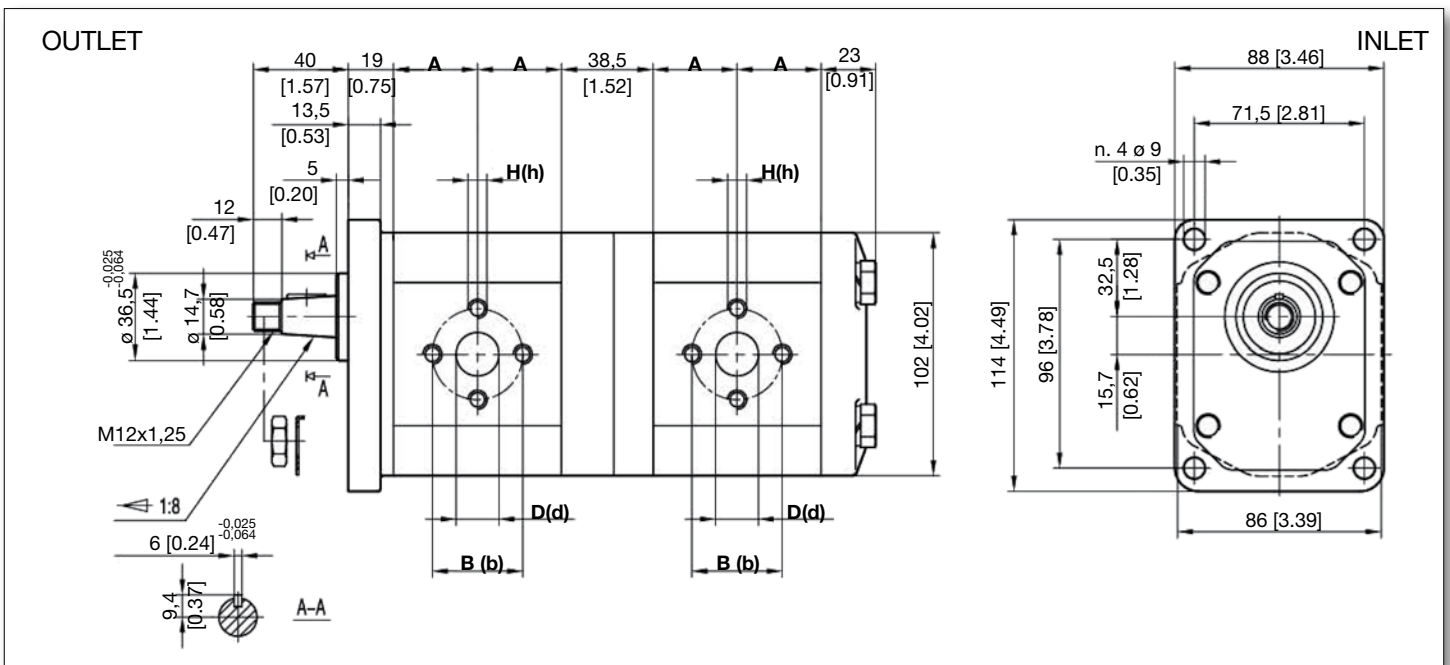
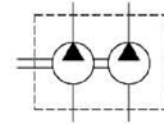
YBHP2/BO



M6 thread depth 13, M8 thread depth 17.

To mount the pump, n. 8 M14 screws, with a torque wrench setting fixed at 70...75 Nm [51.8...55.5 lb/ft].

Shaft M12x1,25 nut, with a torque wrench setting fixed at 40 Nm [29.6 lb/ft].



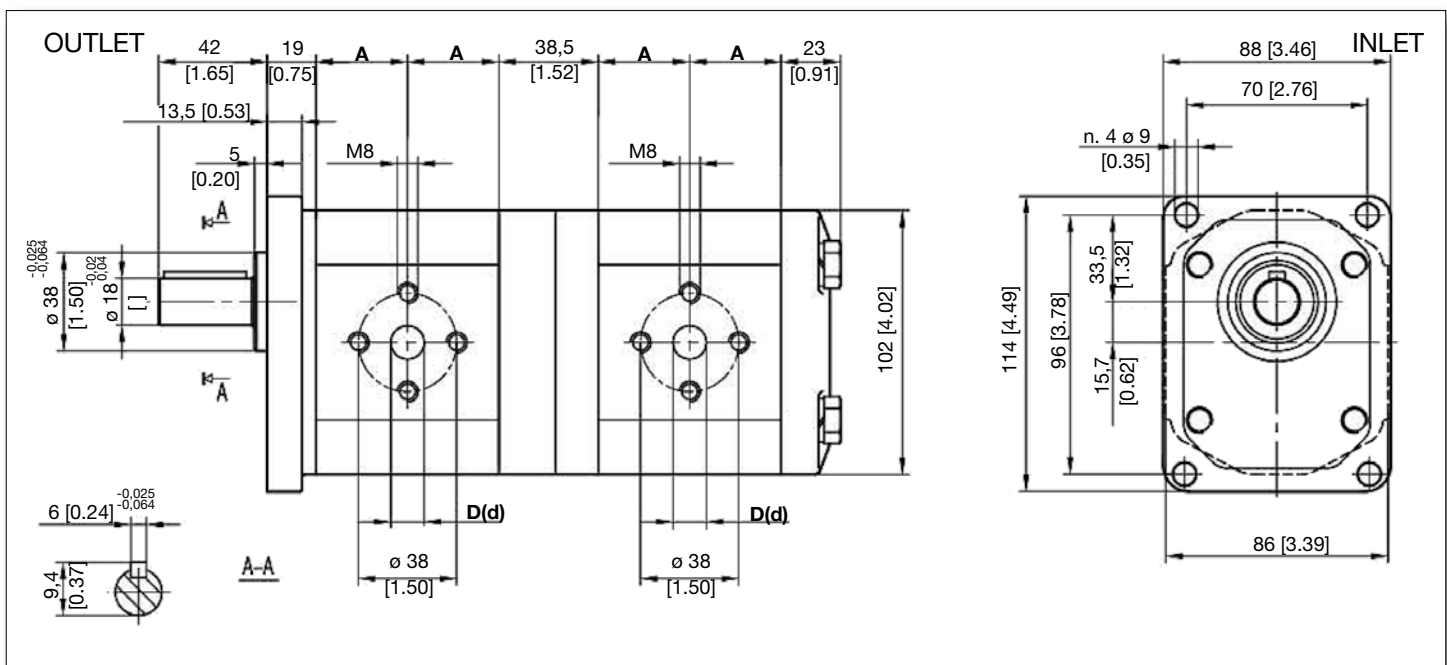
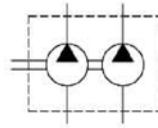
Displacement		Max pressure						Max speed	Min speed	Dimension		INLET					OUTLET														
cm ³ /rev	inc/	P1		P2		P3				A	B	D		H	b		d		h												
		bar	PSI	bar	PSI	bar	PSI	r/min	r/min	mm	inch	mm	inch	mm	inch	mm	inch	mm	inch	mm	inch	mm	inch	mm	inch	mm	inch				
3	0.18	270	3915	285	4133	300	4350	4000	800	24,5	0.96	30	1.18	13	0.51	M6	30	1.18	13	0.51	M6	30	1.18	13	0.51	M6	30	1.18	13	0.51	M6
4	0.24	270	3915	285	4133	300	4350	4000	600	25,3	1.00	30	1.18	13	0.51	M6	30	1.18	13	0.51	M6	30	1.18	13	0.51	M6	30	1.18	13	0.51	M6
6	0.37	270	3915	285	4133	300	4350	4000	600	27,0	1.06	30	1.18	13	0.51	M6	30	1.18	13	0.51	M6	30	1.18	13	0.51	M6	30	1.18	13	0.51	M6
8	0.49	270	3915	285	4133	300	4350	3500	500	28,6	1.13	30	1.18	13	0.51	M6	30	1.18	13	0.51	M6	30	1.18	13	0.51	M6	30	1.18	13	0.51	M6
10	0.61	270	3915	285	4133	300	4350	3000	500	30,3	1.19	40	1.57	20	0.79	M8	30	1.18	13	0.51	M6	30	1.18	13	0.51	M6	30	1.18	13	0.51	M6
12	0.73	270	3915	285	4133	300	4350	3000	500	32,0	1.26	40	1.57	20	0.79	M8	30	1.18	13	0.51	M6	30	1.18	13	0.51	M6	30	1.18	13	0.51	M6
14	0.85	250	3625	265	3843	280	4060	4000	500	33,3	1.31	40	1.57	20	0.79	M8	30	1.18	13	0.51	M6	30	1.18	13	0.51	M6	30	1.18	13	0.51	M6
16	0.98	250	3625	265	3843	280	4060	4000	500	35,3	1.39	40	1.57	20	0.79	M8	30	1.18	13	0.51	M6	30	1.18	13	0.51	M6	30	1.18	13	0.51	M6
18	1.10	250	3625	265	3843	280	4060	3600	400	37,0	1.46	40	1.57	20	0.79	M8	30	1.18	13	0.51	M6	30	1.18	13	0.51	M6	30	1.18	13	0.51	M6
20	1.22	220	3190	235	3408	250	3625	3200	400	38,6	1.52	40	1.57	20	0.79	M8	30	1.18	13	0.51	M6	30	1.18	13	0.51	M6	30	1.18	13	0.51	M6
22	1.34	220	3190	235	3408	250	3625	3000	400	40,3	1.59	40	1.57	20	0.79	M8	30	1.18	13	0.51	M6	30	1.18	13	0.51	M6	30	1.18	13	0.51	M6
25	1.53	200	2900	215	3118	230	3335	3000	400	42,8	1.69	40	1.57	22	0.87	M8	30	1.18	13	0.51	M6	30	1.18	13	0.51	M6	30	1.18	13	0.51	M6
28	1.71	180	2610	190	2755	200	2900	2500	400	45,3	1.78	40	1.57	22	0.87	M8	30	1.18	13	0.51	M6	30	1.18	13	0.51	M6	30	1.18	13	0.51	M6
30	1.83	160	2320	170	2465	180	2610	2500	400	47,0	1.85	40	1.57	22	0.87	M8	30	1.18	13	0.51	M6	30	1.18	13	0.51	M6	30	1.18	13	0.51	M6

YBHP2/B1



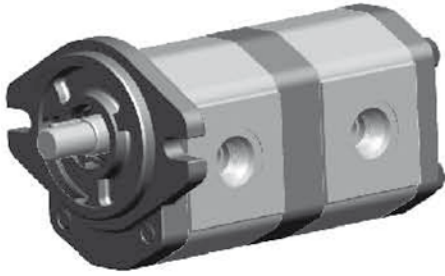
M8 thread depth 16.

To mount the pump, n. 4 M10 screws, with a torque wrench setting fixed at 70...75 Nm [51.8...55.5 lb/ft].



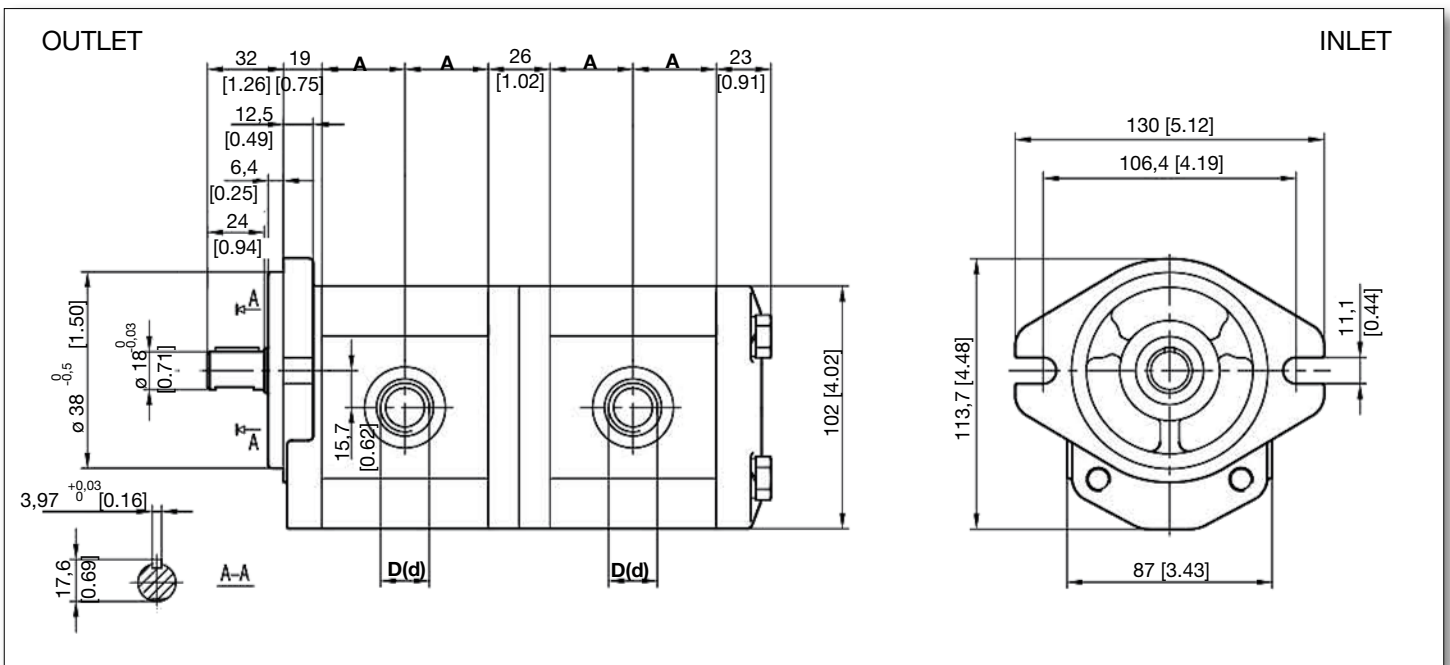
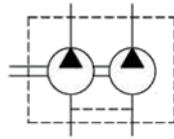
Displacement		Max pressure						Max speed	Min speed	Dimension		Inlet		Outlet	
cm ³ /rev	inc/	P1		P2		P3				A	D	D		d	
		bar	PSI	bar	PSI	bar	PSI	r/min	r/min	mm	inch	mm	inch	mm	inch
3	0,18	270	3915	285	4133	300	4350	4000	800	24,5	0,96	13	0,51	13	0,51
4	0,24	270	3915	285	4133	300	4350	4000	600	25,3	1,00	13	0,51	13	0,51
6	0,37	270	3915	285	4133	300	4350	4000	600	27,0	1,06	13	0,51	13	0,51
8	0,49	270	3915	285	4133	300	4350	3500	500	28,6	1,13	13	0,51	13	0,51
10	0,61	270	3915	285	4133	300	4350	3000	500	30,3	1,19	20	0,79	13	0,51
12	0,73	270	3915	285	4133	300	4350	3000	500	32,0	1,26	20	0,79	13	0,51
14	0,85	250	3625	265	3843	280	4060	4000	500	33,3	1,31	20	0,79	13	0,51
16	0,98	250	3625	265	3843	280	4060	4000	500	35,3	1,39	20	0,79	13	0,51
18	1,10	250	3625	265	3843	280	4060	3600	400	37,0	1,46	20	0,79	13	0,51
20	1,22	220	3190	235	3408	250	3625	3200	400	38,6	1,52	20	0,79	13	0,51
22	1,34	220	3190	235	3408	250	3625	3000	400	40,3	1,59	20	0,79	13	0,51
25	1,53	200	2900	215	3117,5	230	3335	3000	400	42,8	1,69	22	0,87	13	0,51
28	1,71	180	2610	190	2755	200	2900	2500	400	45,3	1,78	22	0,87	13	0,51
30	1,83	160	2320	170	2465	180	2610	2500	400	47,0	1,85	22	0,87	13	0,51

YBHP2/AO



“D” and “d” ports are machine in compliance with threaded port with threaded ports with O-ring seal in truncated housing SAE J1926/1 (ISO J1926-1).

To mount the pump, n. 4 M10 screws, with a torque wrench setting fixed at 70...75 Nm [51.8...55.5 lb/ft].



Displacement		Max pressure						Max speed	Min speed	Dimension		Inlet	Outlet
cm ³ /rev	inc/	P1		P2		P3				A	D	d	
		bar	PSI	bar	PSI	bar	PSI	r/min	r/min	mm	inch	mm	mm
3	0.18	270	3915	285	4133	300	4350	4000	800	24.5	0.96	1 1/16-12 UNF	7/8-14 UNF
4	0.24	270	3915	285	4133	300	4350	4000	600	25,3	1.00	1 1/16-12 UNF	7/8-14 UNF
6	0.37	270	3915	285	4133	300	4350	4000	600	27,0	1.06	1 1/16-12 UNF	7/8-14 UNF
8	0.49	270	3915	285	4133	300	4350	3500	500	28,6	1.13	1 1/16-12 UNF	7/8-14 UNF
10	0.61	270	3915	285	4133	300	4350	3000	500	30,3	1.19	1 1/16-12 UNF	7/8-14 UNF
12	0.73	270	3915	285	4133	300	4350	3000	500	32,0	1.26	1 1/16-12 UNF	7/8-14 UNF
14	0.85	250	3625	265	3843	280	4060	4000	500	33,3	1.31	1 1/16-12 UNF	7/8-14 UNF
16	0.98	250	3625	265	3843	280	4060	4000	500	35,3	1.39	1 1/16-12 UNF	7/8-14 UNF
18	1.10	250	3625	265	3843	280	4060	3600	400	37,0	1.46	1 1/16-12 UNF	7/8-14 UNF
20	1.22	220	3190	235	3408	250	3625	3200	400	38,6	1.52	1 1/16-12 UNF	7/8-14 UNF
22	1.34	220	3190	235	3408	250	3625	3000	400	40,3	1.59	1 1/16-12 UNF	7/8-14 UNF
25	1.53	200	2900	215	3118	230	3335	3000	400	42,8	1.69	1 1/16-12 UNF	7/8-14 UNF
28	1.71	180	2610	190	2755	200	2900	2500	400	45,3	1.78	1 1/16-12 UNF	7/8-14 UNF
30	1.83	160	2320	170	2465	180	2610	2500	400	47,0	1.85	1 5/16-12 UNF	7/8-14 UNF



Young Powertech Inc
3060 Plaza Drive # 107
Garnet Valley PA 19061
Tel: (610) 558-0760
Fax: (610) 558-0762
e-mail: info@yptius.com