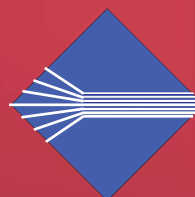


RediStart™ RCI Series

Full Voltage NEMA Rated Starters



***NEMA 12/3R - Combination or Non-Combination
Electronic OL, Industrial Duty Packaged Starters***



BENSHAW

ADVANCED CONTROLS & DRIVES

RediStart RCI Series...

NEMA 12/3R - Full Voltage - Electronic Overload Protection

RCI starters are NEMA Rated, UL listed, completely integrated, full voltage/non-reversing starter packages. The rugged NEMA 12/3R design is ideal for Industrial Duty Applications such as pumps, compressors, conveyors, fans and any other continuous duty equipment. The "Three wires In/Out" design includes the Benshaw SPE, field adjustable electronic overload relay which enables quick installation and start up with precision motor protection ...standard.

Product Highlight - RCI Series

- ◆ UL Listed
- ◆ NEMA Rated, Heavy Duty Contactors
- ◆ NEMA 12/3R Enclosure
- ◆ Field Adjustable SPE Electronic Overload Relay
- ◆ Complete door mounted operator control package
- ◆ 480/240:120 Fused Control Power Transformer
- ◆ Two Year Warranty - Standard
- ◆ "Three Wires In/Out" installation & Start up
- ◆ Combination or Non-Combination

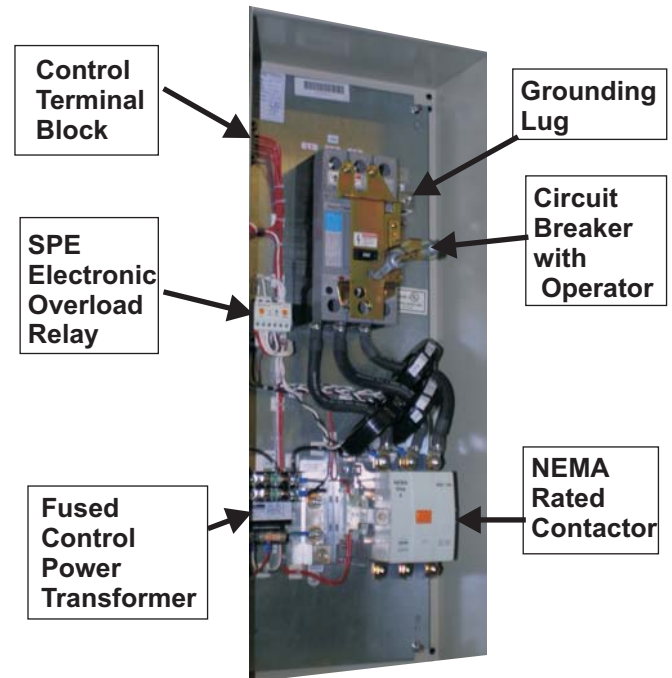
SPE Electronic Overload Relay

SPE electronic overload relays provide field adjustable, precise motor protection, including:

- ◆ Adjustable overload Class (1-30)
- ◆ Wide range of current adjustments
- ◆ 1 NO and 1 NC auxiliary contact
- ◆ Current Imbalance detection
- ◆ Phase loss Detection
- ◆ Phase reversal Protection
- ◆ Trip free design
- ◆ Test function/trip indication



SPE Electronic Overload Relay



CB-RCI-150-3R Full Voltage Starter



Guaranteed for Two Years

Every Benshaw RCI Starter is Guaranteed for two full years. Other manufacturers limit their warranties to just one year. At Benshaw, we believe that, because we build them better, we guarantee them longer. We call that "the Benshaw Promise."

... Full Voltage Non-Reversing Starters

"Three Wires In/Out" Adjust & Go Packages

Stock Units Available 7x24 Through Benschaw Diamond Distributors



RCI - Full Voltage, Non-Reversing Starters

- 1) NEMA 12/3R Enclosure
- 2) UL Listed
- 3) NEMA rated contactor and SPE overload relay
- 4) Separately mounted "SPE" Series overload relay wired for full voltage starting and run operation. The "SPE" series overload has the following standard features:
 - ◆ Class 1-30, adjustable
 - ◆ 1NO/1NC trip contact
 - ◆ "Trip free" design
 - ◆ Current imbalance protection
 - ◆ Phase reversal protection
 - ◆ Phase Loss detection
 - ◆ Test function/trip indication
 - ◆ Fault indication
- 5) 480/240:120 Fused Control Power Transformer
- 6) Door mounted start and stop pushbuttons
- 7) Door mounted overload reset push button
- 8) Red Run Indicator Light
- 9) (2) Form "C" auxiliary contacts

RCI Series Ratings & Dimensions		
NEMA SIZE	CATALOG NUMBER	DIMENSIONS H x W x D
00	NCRCI-9-3R	12x10x6
0	NCRCI-18-3R	12x10x6
1	NCRCI-32-3R	12x10x8
2	NCRCI-50-3R	16x12x6
3	NCRCI-85-3R	16x12x6
4	NCRCI-150-3R	20x16x8



CB-RCI Combination, Full Voltage Non-Reversing Starters

- 1) NEMA 12/3R Enclosure
- 2) UL Listed
- 3) NEMA rated contactor and SPE overload relay
- 4) Separately mounted "SPE" Series overload relay wired for full voltage starting and run operation. The "SPE" series overload has the following standard features:
 - ◆ Class 1-30, adjustable
 - ◆ 1NO/1NC trip contact
 - ◆ "Trip free" design
 - ◆ Current imbalance protection
 - ◆ Phase reversal protection
 - ◆ Phase loss detection
 - ◆ Test function/trip indication
 - ◆ Fault indication
- 5) 480/240:120 Fused Control Power Transformer
- 6) Door mounted start and stop pushbuttons
- 7) Door mounted overload reset push button.
- 8) Red Run Indicator Light
- 9) (2) Form "C" auxiliary contacts
- 10) Circuit Breaker with door mounted operating mechanism

CB-RCI Series Ratings & Dimensions		
NEMA SIZE	CATALOG NUMBER	DIMENSIONS H x W x D
00	CBRCI-9-3R	20x16x8
0	CBRCI-18-3R	20x16x8
1	CBRCI-32-3R	24x12x8
2	CBRCI-50-3R	30x12x8
3	CBRCI-85-3R	30x12x8
4	CBRCI-150-3R	36x16x8



The widest range of motor controls and drives available anywhere...

- ◆ Solid state starters fractional up to 60,000 HP at 15kV
- ◆ AC drives to 1000 HP
- ◆ Electromechanical controls to 800 amps



7x24 customer service...

Benshaw's customer service organization is dedicated to providing comprehensive 7-day-a-week, 24-hour-a-day phone support, repairs, spare parts, field engineering, retrofits and training services...when and where you need us. Whether it's Benshaw or third-party equipment, you can count on our experienced team, backed by the latest diagnostics and repair tools and a two million dollar parts inventory to support your operations.

7x24 Hotline Support from our operations in Pittsburgh, Listowel (Canada), Detroit and Phoenix, including:

- ◆ Technical phone support.
- ◆ Overnight parts shipment.
- ◆ 24-hour service dispatch.
- ◆ Coordination of all service capabilities.



Benshaw Express is a new worldwide program that guarantees a two-hour emergency response on a variety of starters, drives and parts from our dedicated warehouse at the airport. It includes:

- ◆ 7x24 Same day shipment.
- ◆ Either air or truck delivery.
- ◆ Airport pick-up or door-to-door service.



Repairs are made on Benshaw and third-party equipment by trained, experienced personnel, using the latest diagnostic and test equipment to repair:

- ◆ Printed circuit boards.
- ◆ Power electronic control assemblies.
- ◆ Electrical control assemblies.



Field Services are performed on-site by skilled technicians, engineers or complete teams, if needed, including:

- ◆ Start-up commissioning.
- ◆ Field repairs.
- ◆ Field analysis/data collection.
- ◆ Preventative maintenance.



Training is provided in both a classroom and a hands-on environment that provides the student with practical skills, including:

- ◆ Basic electrical maintenance.
- ◆ Electronic maintenance and diagnostics.
- ◆ Benshaw product courses.
- ◆ Customized systems courses (maintenance- or operations-based).

United States
 Pittsburgh, Pennsylvania
 Indianapolis, Indiana
 Syracuse, New York
 Boston, Massachusetts
 Charlotte, North Carolina
 Birmingham, Alabama
 Los Angeles, California
 Detroit, Michigan
 Chicago, Illinois
 Phoenix, Arizona
 Seattle, Washington
 Denver, Colorado
 Houston, Texas
 Mobile, Alabama
 Philadelphia, Pennsylvania

Canada
 Listowel, Ontario
 Toronto, Ontario
 Montreal, Quebec
 Calgary, Alberta

Brazil
Ecuador
Venezuela
Columbia
Peru
Chile
Argentina
China
Australia
Philippines
Korea
Singapore
Germany
Mexico
Russia
Turkey
Egypt
Saudi Arab Emirates
Bahrain
Kuwait

BENSHAW, Inc.
 1659 E. Sutter Road
 Glenshaw, PA 15116
 Phone: (412)487-8235
 www.benshaw.com

BENSHAW Canada
 550 Bright St. E.
 Listowel, Ontario N4W 3W3
 Phone: (519)291-5112

Ben-Tech Industrial Automation
 2904 Bond Street
 Rochester Hills, MI 48309
 Phone: (248)299-7700

Benshaw Mobile
 CSD Division
 5821 Rangeline Road, Suite 202
 Theodore, AL 36582
 Phone: (251) 443-5911

BENSHAW High Point.
 EPC Division
 645McWay Drive
 high Point, NC 27263
 Phone:(336)434-4445

BENSHAW Pueblo
 Trane Division
 1 Jetway Court
 Pueblo, CO 81001
 Phone: (719)948-1405

