

Stainless Steel

400/500 SERIES



- The ultimate corrosion resistant heavy-duty vacuum and pressure gauges
- **Extreme high pressure** ranges available from vacuum through 100,000 psi
- 1-1/2, 2, 2-1/2, 4 and 6 inch sizes – bottom or back connected
- Cases and polished bezels are constructed of solid 304 Stainless steel, with 316 Stainless steel internals
- Vacuum, compound and zero based ranges
- Bourdon tubes are matched to Stainless steel precision movements and balanced pointers for smooth, accurate indication
- Glycerine filling (in the 500 Series) further enhances gauge life by constantly lubricating the movement and dampening the effects of vibration, pulsation and shock.
- NOSHOK's Agriculture Ammonia Gauges (25-406 and 25-506) feature a nickel-plated brass connection with a 316 Stainless steel Bourdon Tube
- Stock availability

OPERATING SPECIFICATIONS

1. Working Pressure Limitations

a. Dynamic Pressure

The working pressure should be limited to 60% of the dial range for long service life.

b. Static Pressure

The working pressure, when no sharp fluctuations occur, should be limited to 90% of the dial range.

2. Ambient Temperature

a. 400 Series

-40°F to 140°F (-40°C to 60°C)

b. 500 Series

-4°F to 140°F (-20°C to 60°C)

Glycerine Fill

-40°F to 140°F (-40°C to 60°C)

Special Fill

3. Media Temperature

a. 400 Series

-40°F to 212°F (-40°C to 100°C)

1-1/2" and 2-1/2" sizes

-40°F to 392°F (-40°C to 200°C)

4" and 6" sizes

b. 500 Series

-4°F to 212°F (-20°C to 100°C)

Glycerine Fill

-40°F to 212°F (-40°C to 100°C)

Special Fill

APPLICATIONS

- Chemical plants
- Petrochemical refineries
- Pharmaceutical
- Food and beverage processing
- Offshore oil platforms
- Paper mills
- Salt mines
- Fertilizer plants
- Shipboard

ACCURACY

- 1-1/2 inch 400 Series Gauges: ±2.5%
- 2-1/2 inch 400 Series Gauges: ±1.5%
- 4 and 6 inch 400 Series Gauges: ±1.0%
- 2-1/2 inch 500 Series Gauges: ±1.5%
- 4 and 6 inch 500 Series Gauges: ±1.0%

	MODELS	SPECIFICATIONS
Case	15-400, 15-410, 40-400, 40-410, 60-400, 60-410, 60-500, 60-510	304 Stainless steel
	25-400, 25-410, 25-500, 25-510, 40-500, 40-510	Polished 304 Stainless steel
Cover Ring	15-400, 15-410, 25-400, 25-410, 25-500, 25-510, 40-400, 40-410, 40-500, 40-510	Polished 304 Stainless steel
	60-400, 60-410, 60-500, 60-510	Polished 304 Stainless steel bayonet ring
Lens	15-400, 15-410, 40-400, 40-410, 40-500, 40-510	Instrument glass
	25-400, 25-410, 25-500, 25-510	Trogamide
	60-400, 60-410, 60-500, 60-510	Laminated safety glass
Bourdon Tube	15-400, 15-410, 25-400, 25-410, 25-500, 25-510, 40-400, 40-410, 40-500, 40-510, 60-400, 60-410, 60-500, 60-510 (up to 600 psi)	316 Stainless steel "C" tube
	25-400, 25-410, 25-500, 25-510, 40-400, 40-410, 40-500, 40-510, 60-400, 60-410, 60-500, 60-510 (greater than 600 psi)	Coiled safety tube
Connection	15-400, 15-410	1/8" NPT, 316 Stainless steel
	25-400, 25-410, 25-500, 25-510	1/4" NPT, 316 Stainless steel
	40-400, 40-410, 40-500, 40-510, 60-400, 60-410, 60-500, 60-510	1/2" NPT, 316 Stainless steel. 9/16" – 18 high pressure connections are standard on 0 – 30,000 PSI and higher
Movement	15-400, 15-410, 25-400, 25-410, 25-500, 25-510	Stainless steel and nylon with highly polished bearing surfaces
	40-400, 40-410, 40-500, 40-510	All Stainless steel with internal zero stop and highly polished bearing surfaces
	60-400, 60-410, 60-500, 60-510	Stainless steel with highly polished bearing surfaces. An internal zero stop is standard.
Safety Protection	25-400, 25-410, 25-500, 25-510	Safety relief disc on the top of the case
	40-400, 40-410, 40-500, 40-510, 60-400, 60-410, 60-500, 60-510	Safety relief disc on the back and top of the case
Accuracy	15-400, 15-410	± 2.5% Full Scale ASME grade B
	25-400, 25-410, 25-500, 25-510	± 1.5% Full Scale ASME grade A
	40-400, 40-410, 40-500, 40-510, 60-400, 60-410, 60-500, 60-510	± 1% Full Scale ASME grade 1A
Pointer	15-400, 15-410	Black finished aluminum
	25-400, 25-410, 25-500, 25-510, 40-400, 40-410, 40-500, 40-510	Balanced aluminum, black finish
	60-400, 60-410, 60-500, 60-510	Balanced micro-adjustable aluminum, black finish
Dial	15-400, 15-410	Aluminum, white background with black markings. Single scale psi. UV resistant
	25-400, 25-410, 25-500, 25-510, 40-400, 40-410, 40-500, 40-510, 60-400, 60-410, 60-500, 60-510	Aluminum, white background with black markings. Single scale psi is standard. psi/bar, psi/kPa, or psi/Kg/cm ² dual scale are available as stock options. On dual scale dials, the outer scale is psi in black and the inner metric scale is red. UV resistant.
Fill Liquid	25-500, 25-510, 40-500, 40-510, 60-500, 60-510	Glycerine and water

ORDERING INFORMATION													
SERIES	400/500												
SIZE	15	1-1/2 Inch		25	2-1/2 Inch		40	4 Inch		60	6 Inch		
CASE TYPE	400	All SS, Dry/Fillable, Bottom Connection			410	All SS, Dry/Fillable, Back Connection			506	Ammonia, Liquid Filled, Bottom Connection			
	401	All SS, Dry, Bottom Connection			411	All SS, Dry, Back Connection			510	SS Case, Liquid Filled, Back Connection			
	406	Ammonia, Dry/Fillable, Bottom Connection			500	SS Case, Liquid Filled, Bottom Connection							
PRESSURE RANGES	30 " Vac	-30 inHg to 0			15	0 psi to 15 psi		600	0 psi to 600 psi		10000	0 psi to 10000 psi	
	30/15	-30 inHg to 0 to 15 psi			30	0 psi to 30 psi		800	0 psi to 800 psi		15000	0 psi to 15000 psi	
	30/30	-30 inHg to 0 to 30 psi			60	0 psi to 60 psi		1000	0 psi to 1000 psi		20000	0 psi to 20000 psi	
	30/60	-30 inHg to 0 to 60 psi			100	0 psi to 100 psi		1500	0 psi to 1500 psi		30000	0 psi to 30000 psi	
	30/100	-30 inHg to 0 to 100 psi			160	0 psi to 160 psi		2000	0 psi to 2000 psi		40000	0 psi to 40000 psi	
	30/160	-30 inHg to 0 to 160 psi			200	0 psi to 200 psi		3000	0 psi to 3000 psi		60000	0 psi to 60000 psi	
	30/200	-30 inHg to 0 to 200 psi			300	0 psi to 300 psi		5000	0 psi to 5000 psi		80000	0 psi to 80000 psi	
	30/300	-30 inHg to 0 to 300 psi			400	0 psi to 400 psi		6000	0 psi to 6000 psi		100000	0 psi to 100000 psi	
SCALE OPTION	psi	psi single scale		psi/kPa	psi/kPa dual scale		psi/kg/cm ²	psi/kg/cm ² dual scale		psi/bar	psi/bar dual scale		
CONNECTION SIZE	1/4	1/4" NPT		1/2	1/2" NPT		9/16-18	9/16-18 UNF 3B*					
OPTIONS	SSFF	304SS front flange			SSFR	304SS flange ring			SP	Red set pointer			
	SSRF	304SS rear flange			FR	Flange ring			LM	Laser marking			
	SSB-U	Stainless steel bezel & U-clamp			AP	Adjustable pointer			ST	Stainless steel tagging			
	SPMC	304SS panel mount clamp			SGL	Safety glass lens			ST5	Stainless steel threaded orifice 0.5 mm			
	PMC	Steel panel mount clamp			MIP	Maximum indicating pointer			ST8	Stainless steel threaded orifice 0.8 mm			

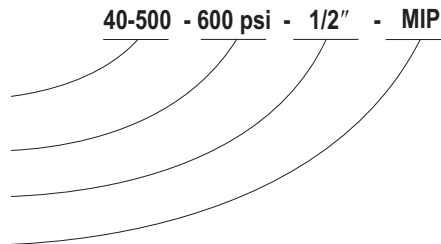
Please consult your local NOSHOK Distributor or NOSHOK, Inc. for availability and delivery information.

NOTE: Refer to 400/500 Series Options & Accessories chart on page 66 for availability by model number.

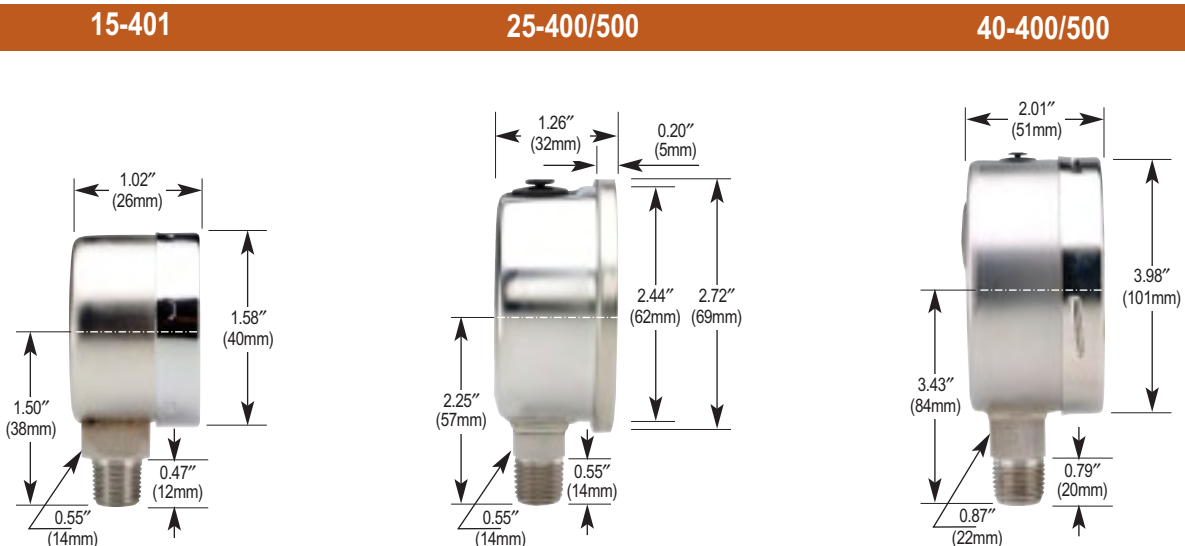
*Connection size for pressures 30,000 psi and above.

EXAMPLE

1. Select model number (size & case type)
2. Select pressure range & scale option
3. Select connection size (if more than one is offered)
4. Select any required accessory or option



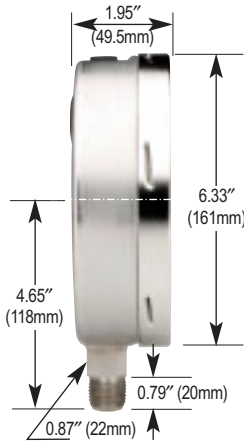
OUTLINE DIMENSIONS



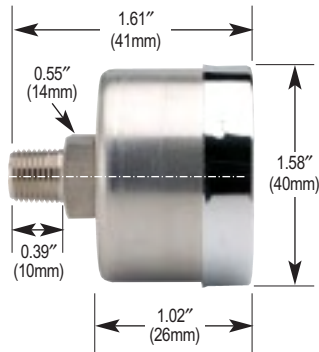
Dial Indicating Pressure Gauges

Dimensions

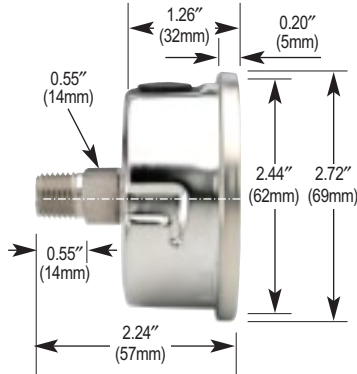
60-400/500



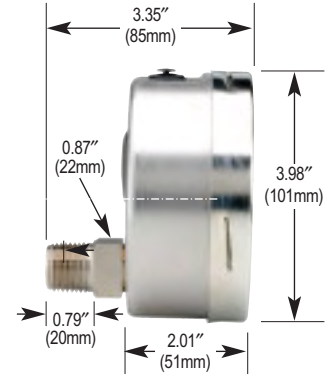
15-411



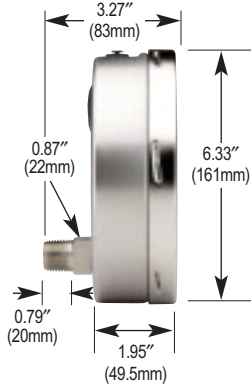
25-410/510



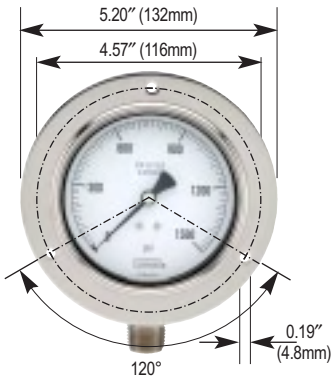
40-410/510



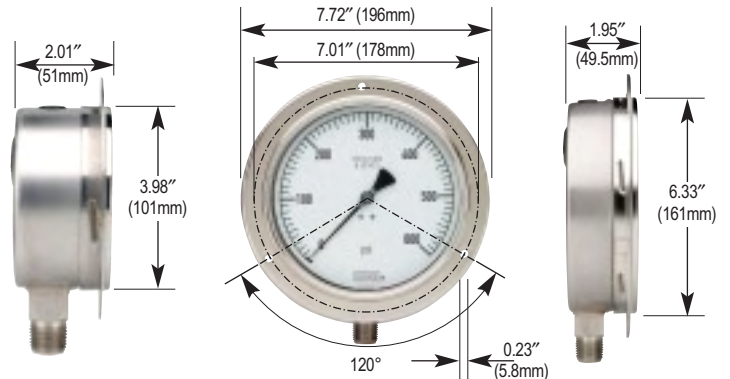
60-410/510



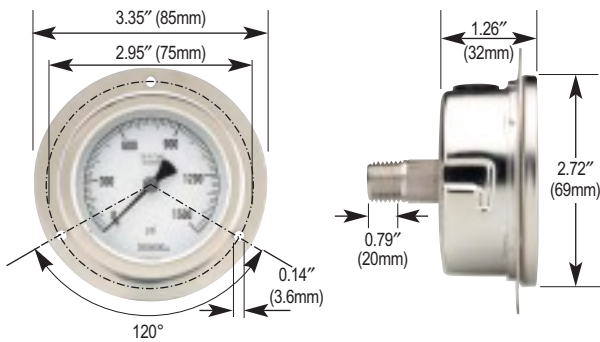
40-400/500 Front Flange



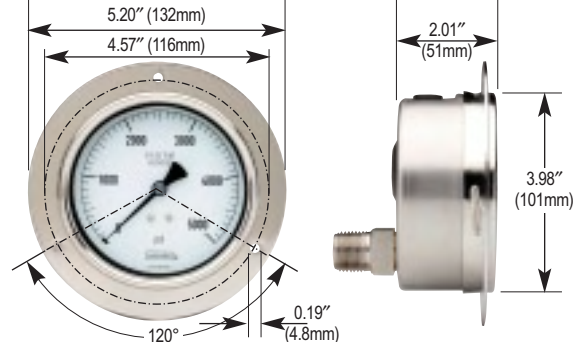
60-400/500 Front Flange



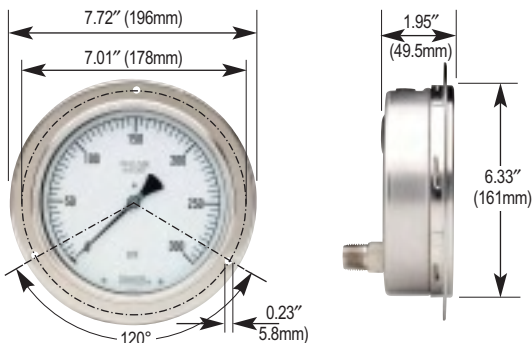
25-410/510 Front Flange



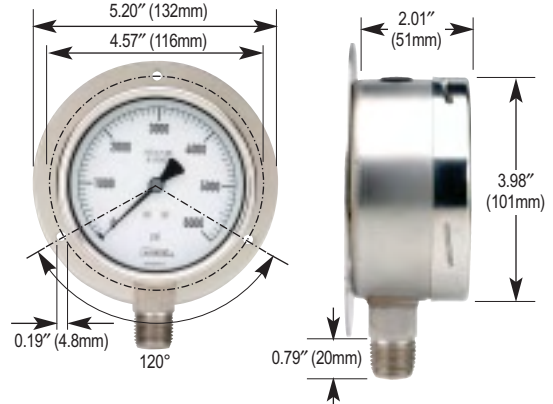
40-410/510 Front Flange



60-410/510 Front Flange

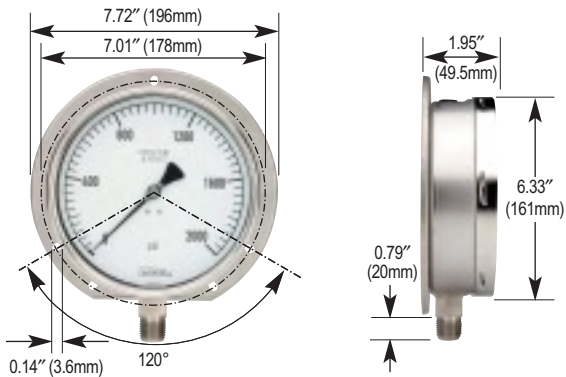


40-400/500 Rear Flange

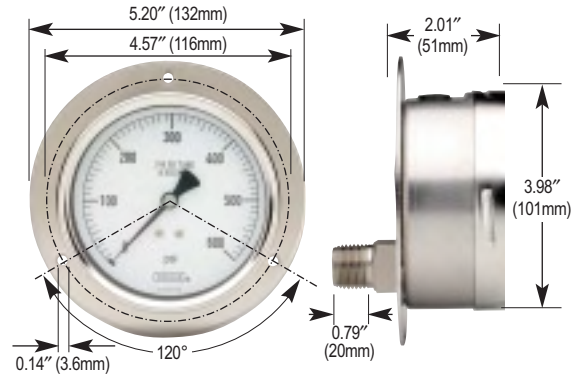


400/500 SERIES DIMENSIONS

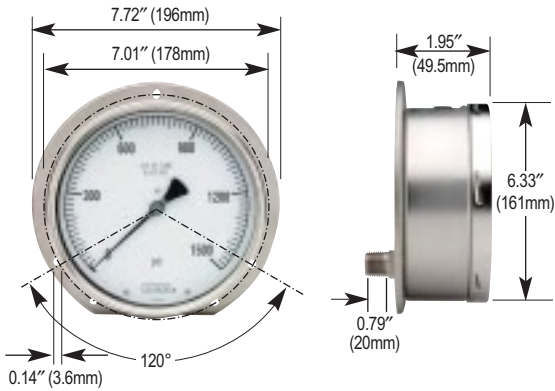
60-400/500 Rear Flange



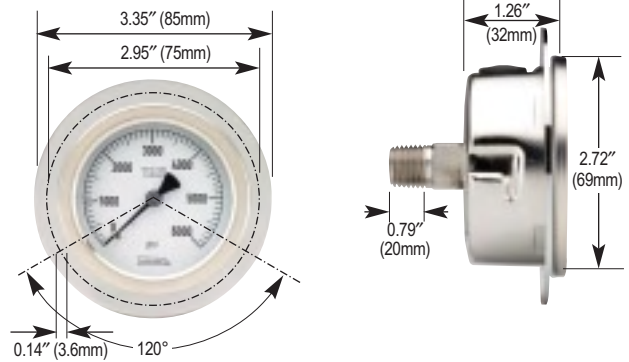
40-410/510 Rear Flange



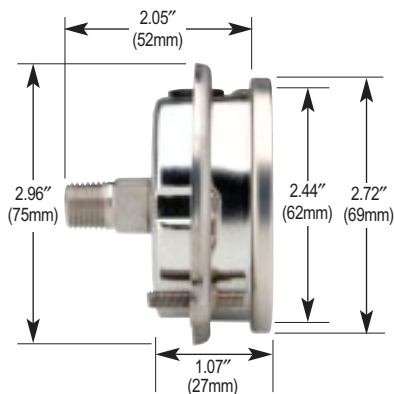
60-410/510 Rear Flange



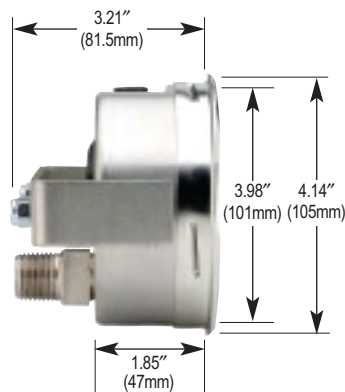
25-410/510 Flange Ring



25-410/510 Panel Mount Clamp



40-410/510 SS Narrow Bezel w/U-Clamp



60-410/510 SS Narrow Bezel w/U-Clamp

